

US00D525430S

(12) **United States Design Patent**
Suppancig

(10) **Patent No.:** **US D525,430 S**

(45) **Date of Patent:** **** Jul. 25, 2006**

(54) **TRAVELLING BAG**

(75) Inventor: **Massimo Suppancig**, Milan (IT)

(73) Assignee: **Valextra S.r.l**, Milan (IT)

(**) Term: **14 Years**

(21) Appl. No.: **29/232,161**

(22) Filed: **Jun. 15, 2005**

(30) **Foreign Application Priority Data**

Dec. 16, 2004 (EM) 000270228

(51) **LOC (8) Cl.** **03-01**

(52) **U.S. Cl.** **D3/289**

(58) **Field of Classification Search** D3/273,
D3/276, 283, 287–289, 291, 293, 301, 902;
190/100, 102, 108, 111–114, 119, 900, 903
See application file for complete search history.

(56) **References Cited**

U.S. PATENT DOCUMENTS

1,618,955	A	*	2/1927	Gotisar	190/114
1,934,360	A	*	11/1933	Laufman	190/114
D92,869	S	*	7/1934	Shwayder	D3/290
1,976,698	A	*	10/1934	Gihon	190/102
1,999,064	A	*	4/1935	Marks	190/119
1,999,424	A	*	4/1935	Seitz	190/119
2,288,105	A	*	6/1942	Plotkin	190/119
2,577,670	A	*	12/1951	Adams	190/111
D254,220	S	*	2/1980	Davis	D3/289
D447,632	S	*	9/2001	Gisser	D3/289
D475,251	S	*	6/2003	Crandall et al.	D7/607
D505,012	S	*	5/2005	Godshaw et al.	D3/289

OTHER PUBLICATIONS

Calf Leather Boxy Bag, Valextra, \$1,995. Featured in Oct. 2005. Downloaded Jan. 18, 2006 at http://www.instyle.com/instyle/products/productfinder/browse/0,23916,BrandsTax:Valextra_1_8_8_1,0...*

* cited by examiner

Primary Examiner—Philip S. Hyder

Assistant Examiner—RoseLynne (Ulm) Cody

(74) *Attorney, Agent, or Firm*—James V. Costigan; Hedman & Costigan

(57) **CLAIM**

The ornamental design for a travelling bag, as shown and described.

DESCRIPTION

FIG. 1 is a perspective view of the travelling bag of the invention;

FIG. 2 is a top plan view of the travelling bag of the invention;

FIG. 3 is a front view of the travelling bag of the invention; FIG. 4 is a left side view of the travelling bag of the invention;

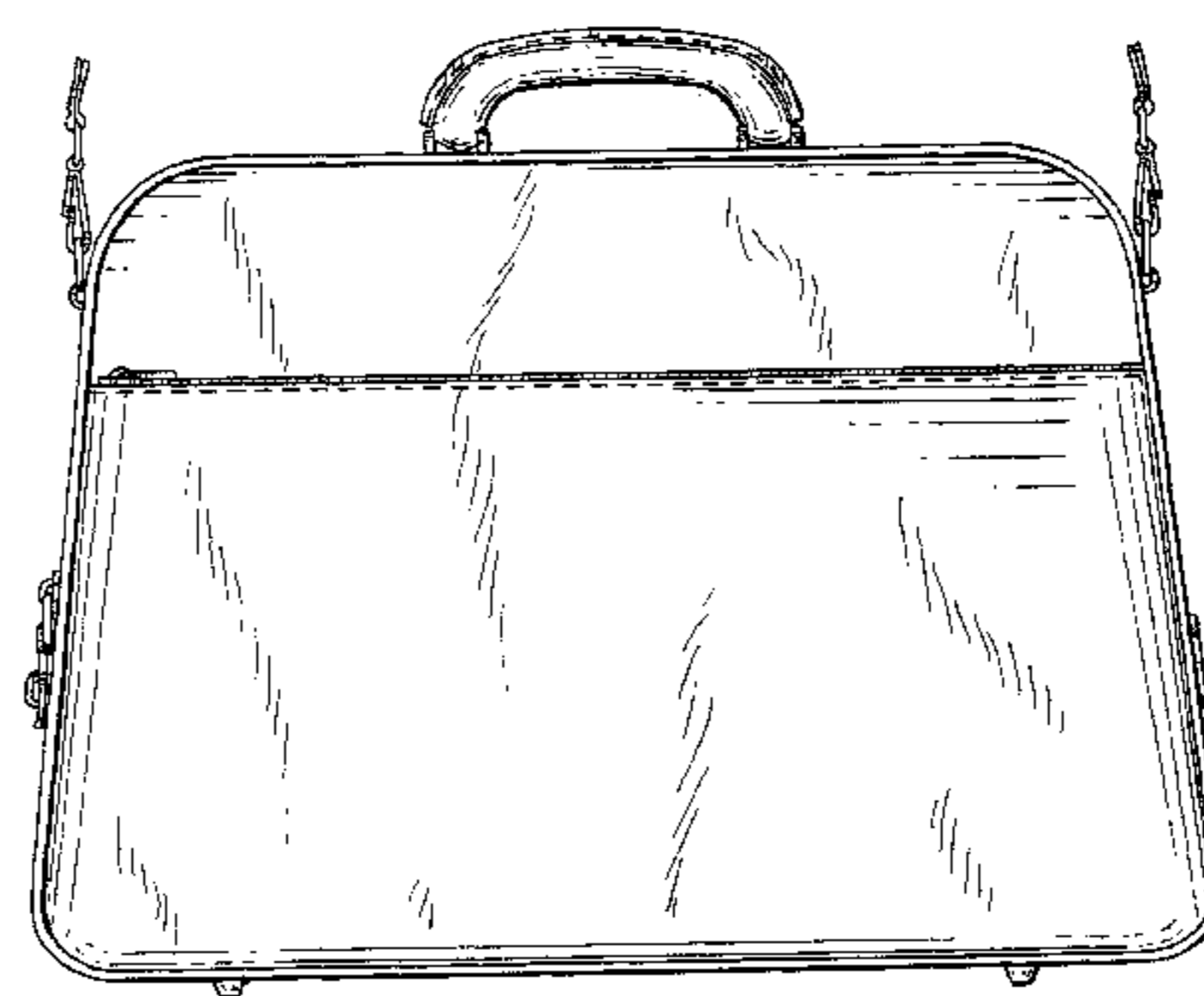
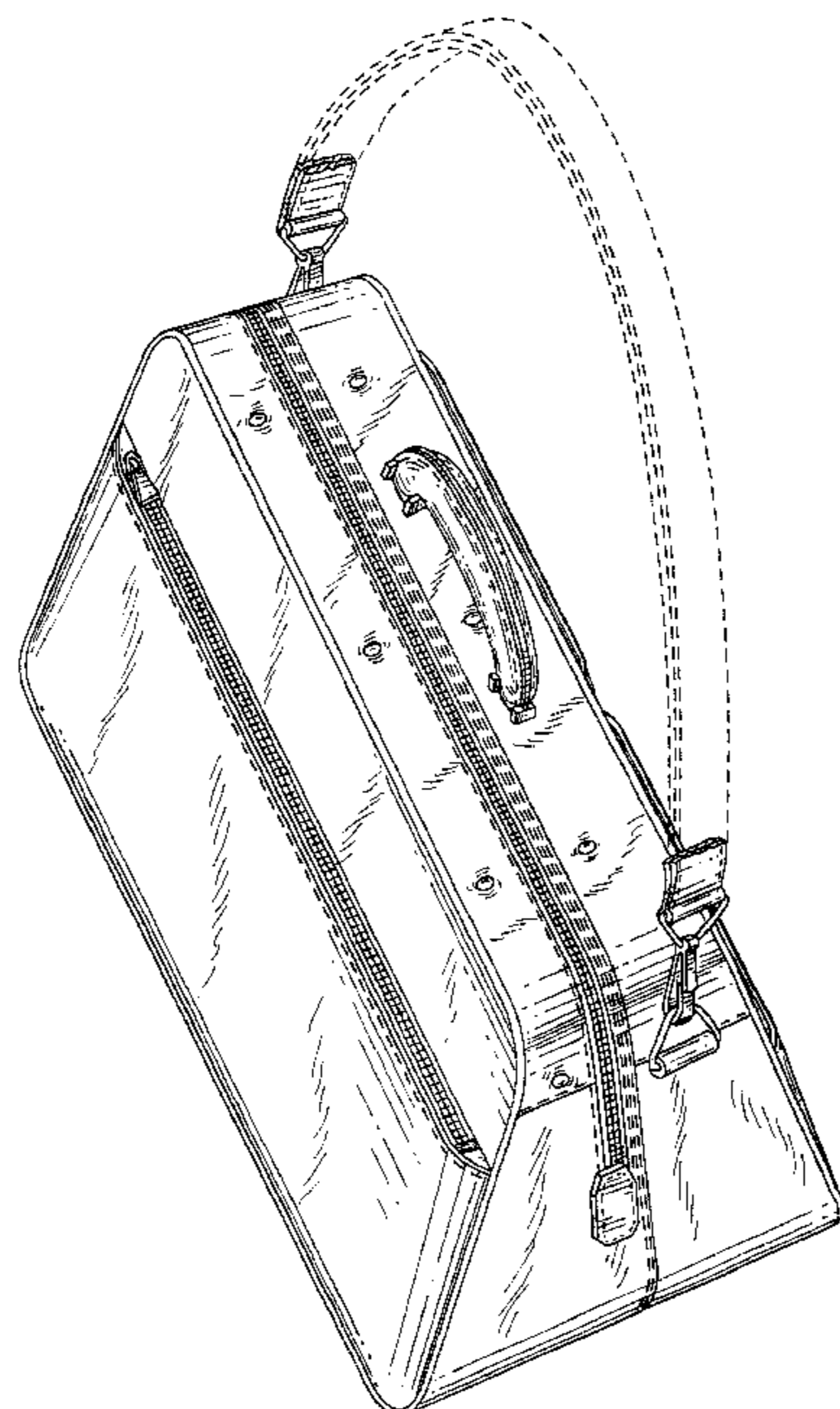
FIG. 5 is a right side view of the travelling bag of the invention;

FIG. 6 is a back view of the travelling bag of the invention; and,

FIG. 7 is a bottom view of the travelling bag of the invention.

The broken line showing of a shoulder strap in FIG. 1 is for illustrative purposes only and forms no part of the claimed design. In all other cases throughout the drawing disclosure, the broken lines represent stitching and do form a part of the claimed design.

1 Claim, 4 Drawing Sheets



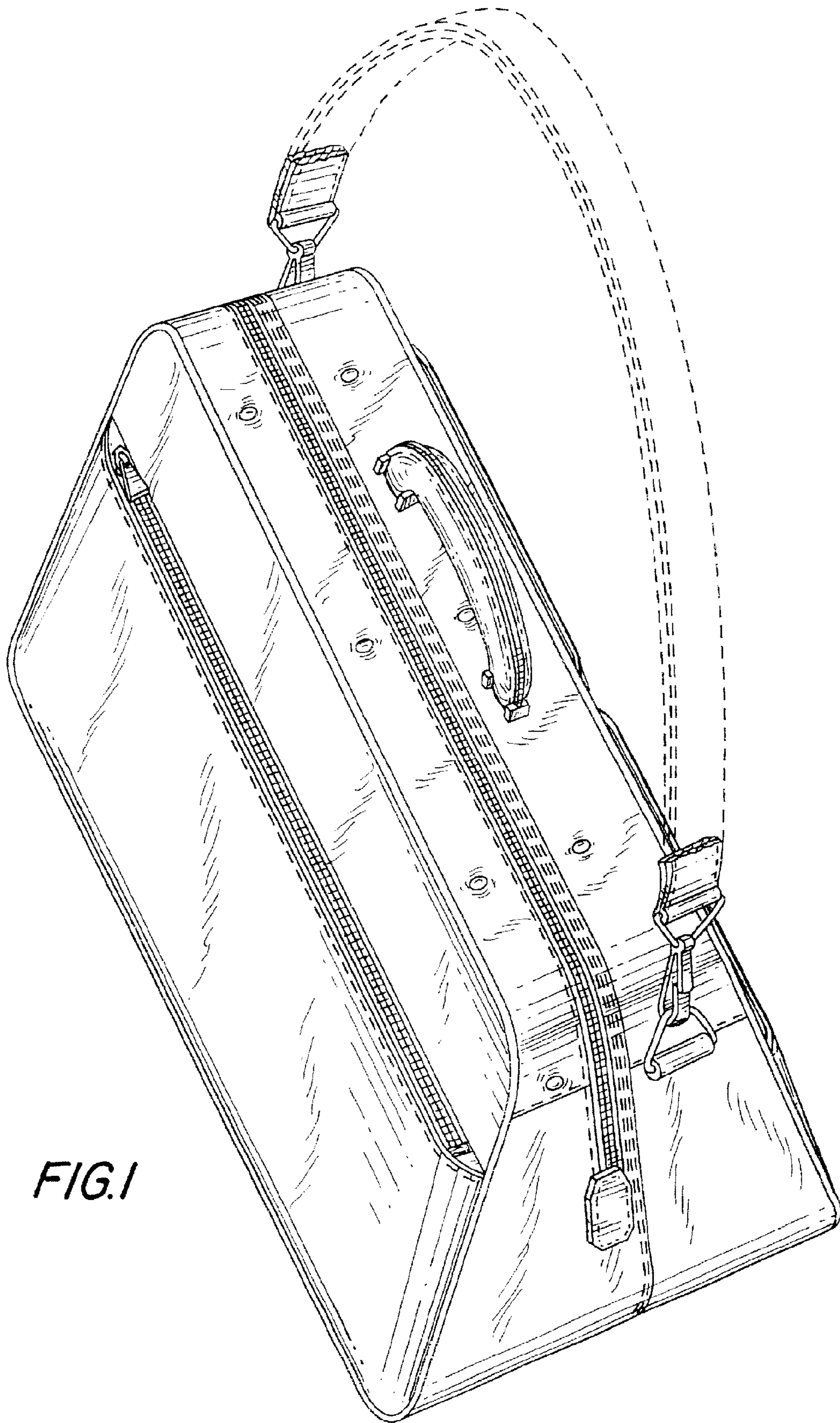


FIG. 1

FIG. 2

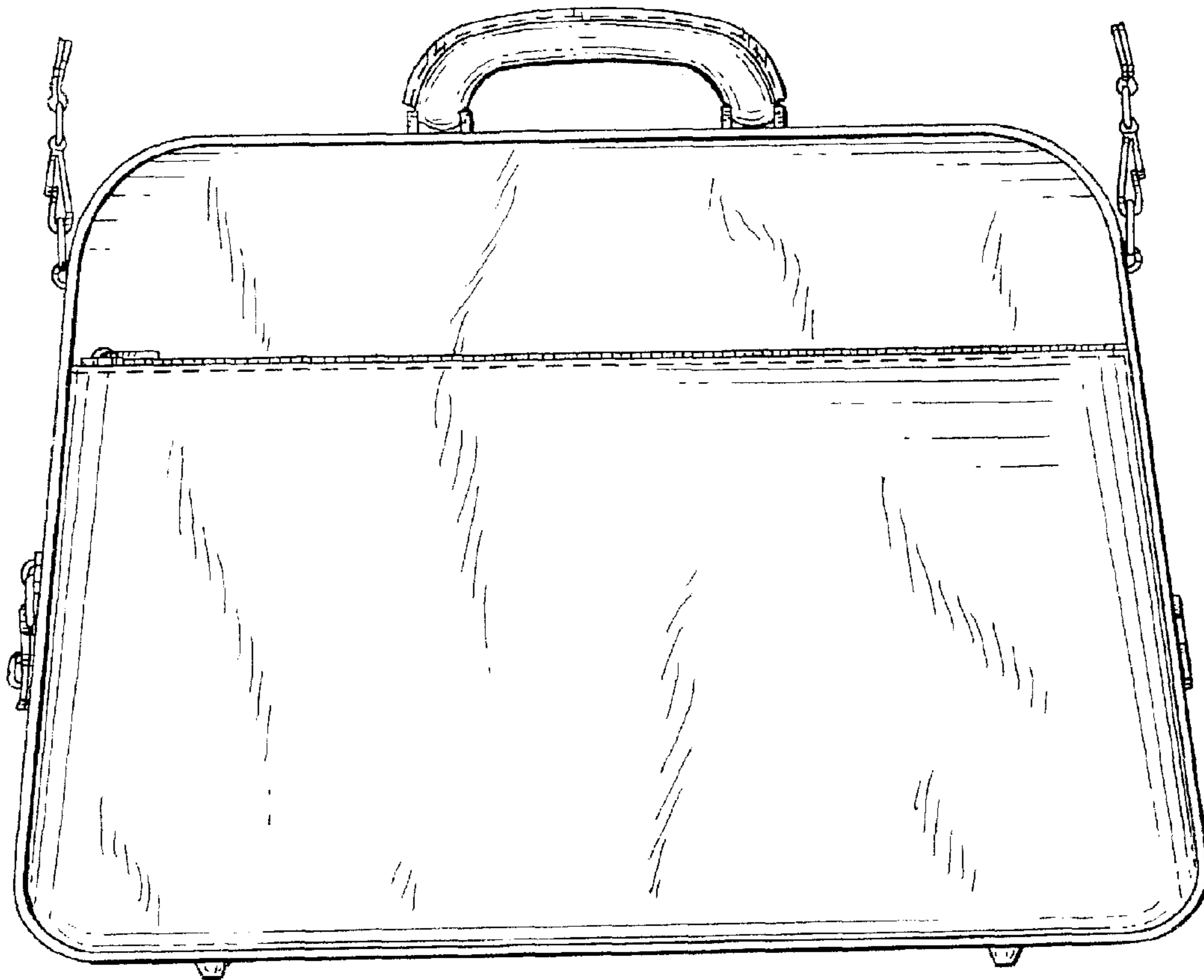
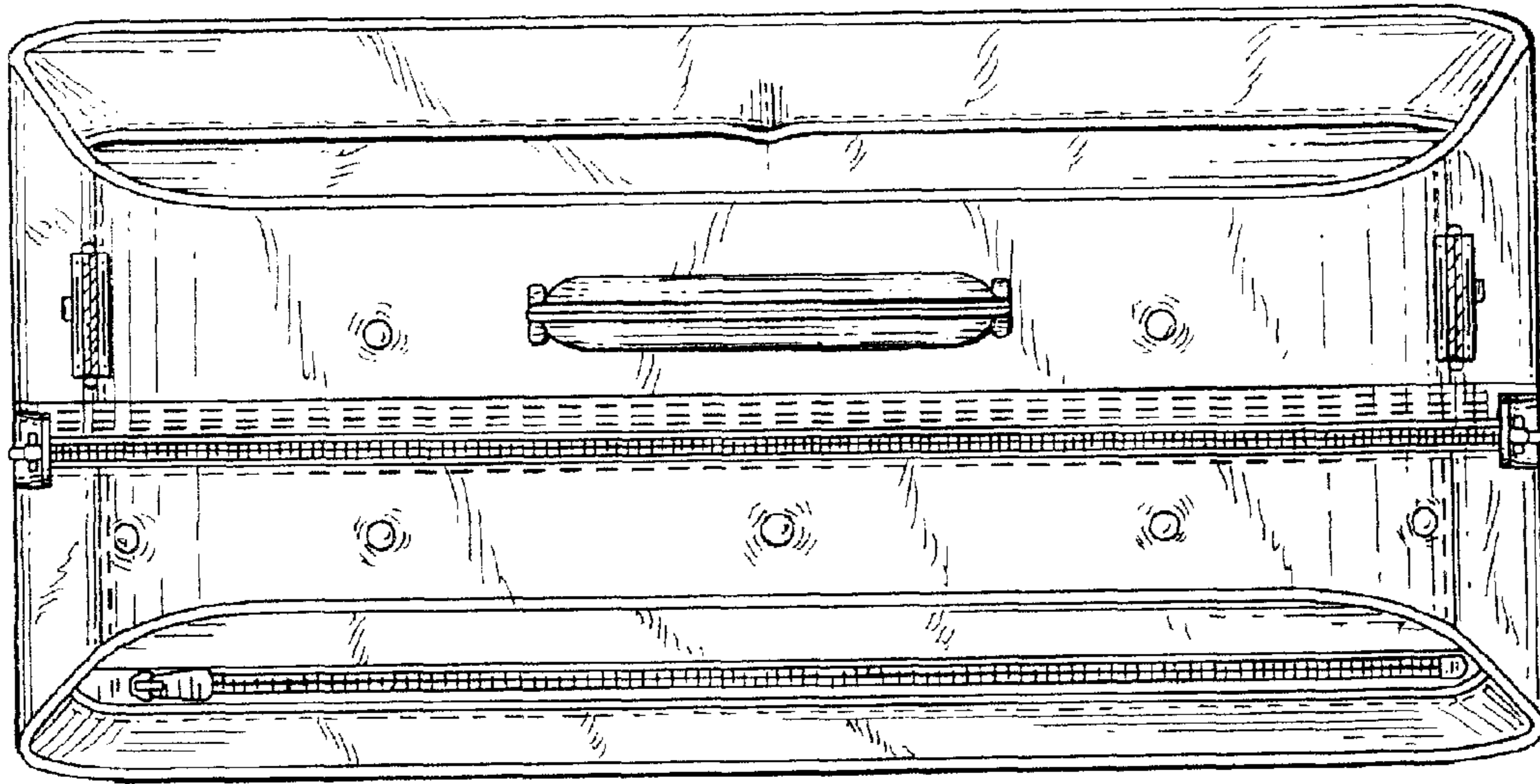


FIG. 3

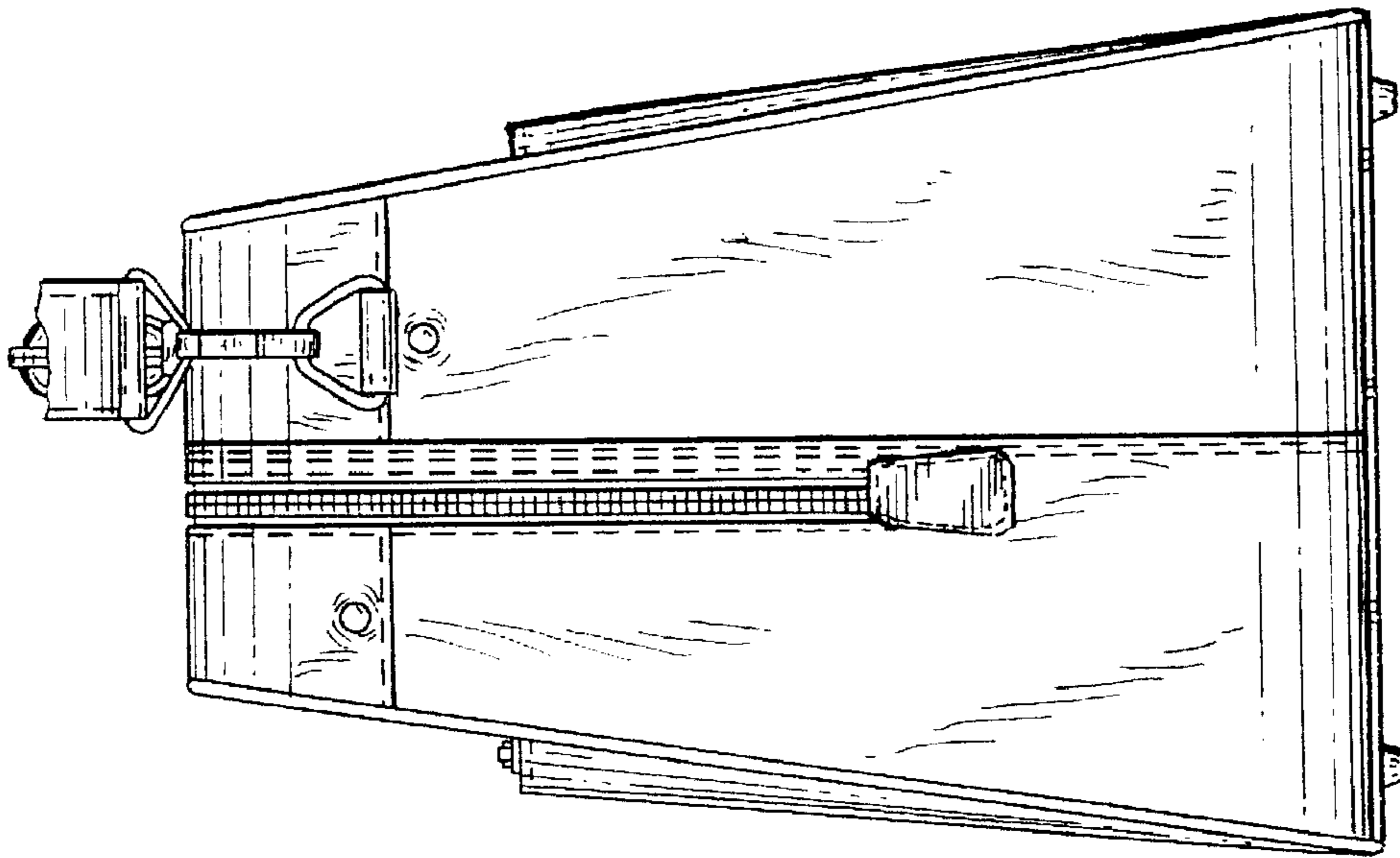


FIG. 5

FIG. 4

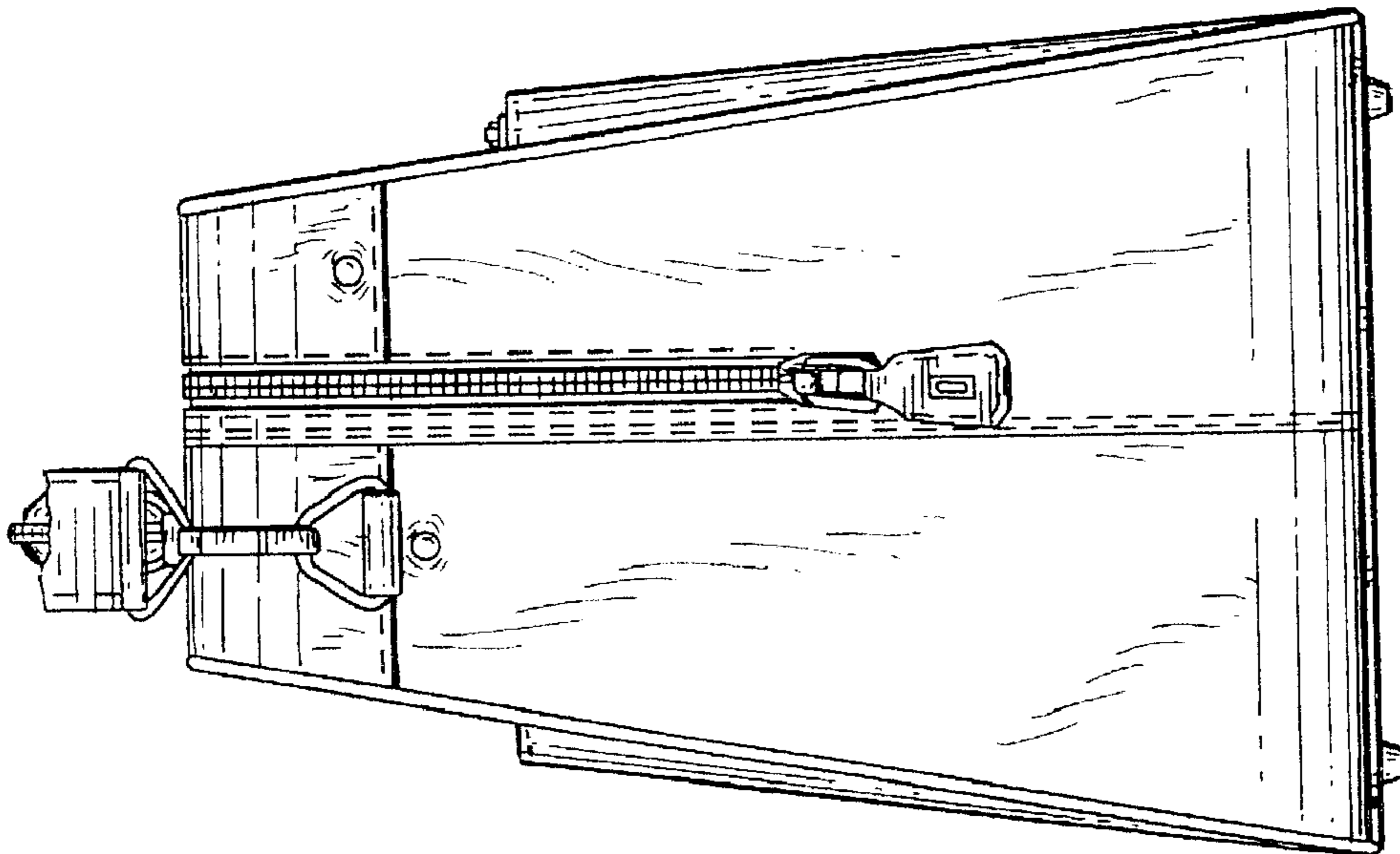


FIG. 6

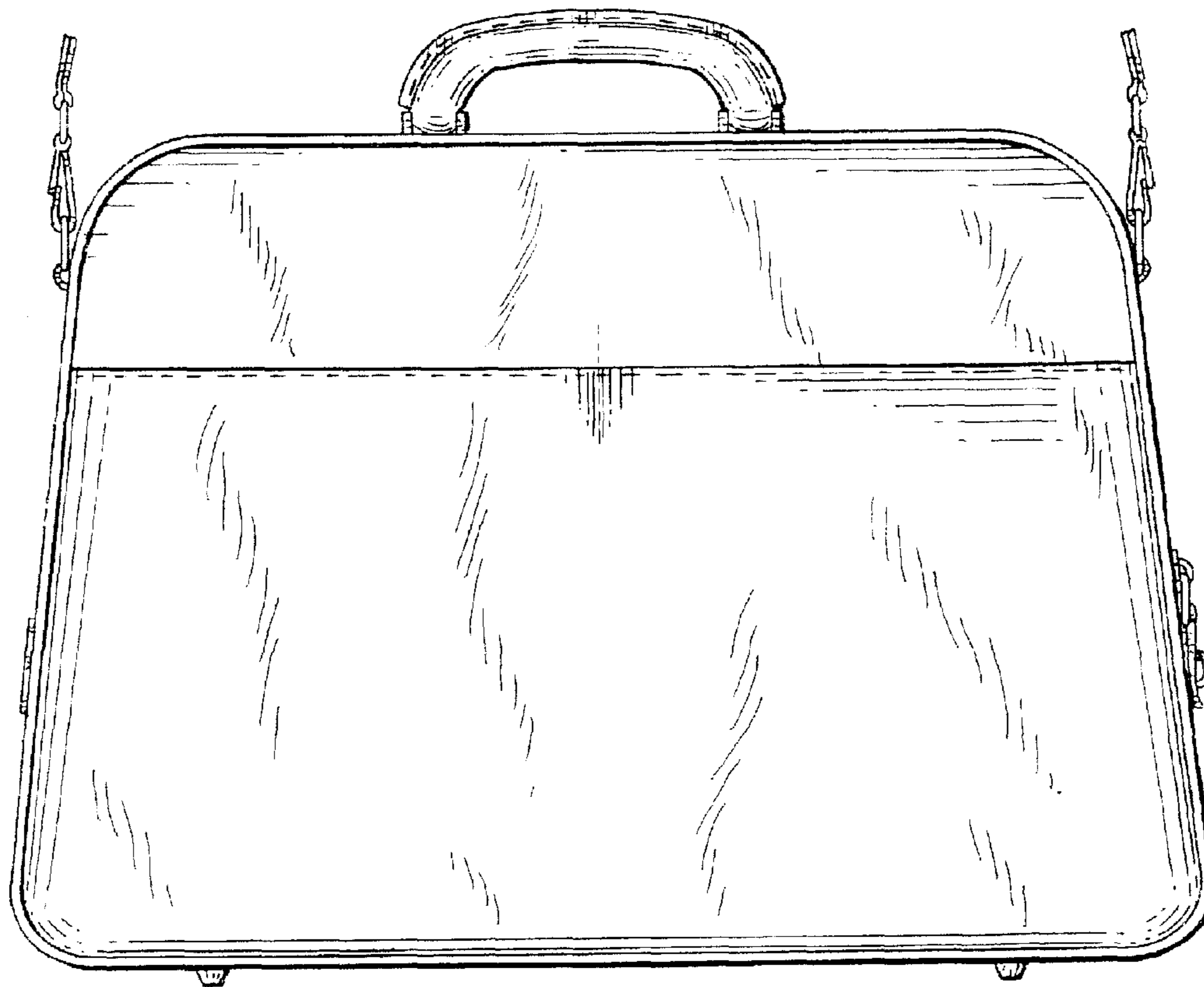


FIG. 7

