

US00D525405S

(12) **United States Design Patent**
Leung

(10) **Patent No.:** **US D525,405 S**
(45) **Date of Patent:** **** Jul. 18, 2006**

- (54) **STEAM IRON**
 - (75) Inventor: **Albert Yat Cheong Leung**, Kowloon (HK)
 - (73) Assignee: **Tunbow Electrical Limited**, Hong Kong (CN)
 - (**) Term: **14 Years**
 - (21) Appl. No.: **29/196,666**
 - (22) Filed: **Jan. 2, 2004**
 - (51) **LOC (8) Cl.** **07-05**
 - (52) **U.S. Cl.** **D32/68**
 - (58) **Field of Classification Search** D32/68-72;
38/77.1-77.8, 77.81, 77.9, 74-75, 88, 90,
38/93; 219/245-248
- See application file for complete search history.

- D381,153 S 7/1997 Loomis
- D388,574 S 12/1997 Clouet
- D388,575 S 12/1997 Naft
- D389,622 S 1/1998 Dziersk
- D389,627 S 1/1998 Stützer et al.
- D389,968 S 1/1998 Sham
- D406,933 S 3/1999 Leverrier
- D408,107 S 4/1999 Clouet
- D416,656 S 11/1999 Sadler
- D418,649 S 1/2000 Stützer et al.
- D428,228 S 7/2000 Saltet
- D429,048 S 8/2000 Brady
- D430,371 S 8/2000 Brady et al.
- D431,338 S 9/2000 Zanardo
- D431,339 S 9/2000 Stützer et al.
- D435,157 S 12/2000 Naft et al.
- D435,325 S 12/2000 Stützer et al.
- D436,704 S 1/2001 Stützer et al.
- D441,158 S 4/2001 Stützer et al.

(Continued)

(56) **References Cited**

U.S. PATENT DOCUMENTS

- 2,398,579 A * 4/1946 Clark et al. 38/90
- D315,433 S * 3/1991 Chen D32/68
- D327,151 S 6/1992 Rohner et al.
- D340,329 S 10/1993 Barrault
- D340,330 S 10/1993 Seguljic
- D342,814 S 12/1993 Bergeron
- D344,829 S 3/1994 Levin
- D349,377 S 8/1994 Stützer et al.
- D360,509 S 7/1995 Maeda et al.
- D364,019 S 11/1995 Reibl
- D364,950 S 12/1995 Classen
- D365,899 S 1/1996 Wai
- D368,348 S 3/1996 Loomis et al.
- D369,004 S 4/1996 Reibl
- D369,005 S 4/1996 Stützer et al.
- D369,890 S 5/1996 Reibl
- D370,102 S 5/1996 Muller
- D370,103 S 5/1996 Guddefin
- D371,878 S 7/1996 Muller
- D373,869 S 9/1996 Stützer et al.
- D373,870 S 9/1996 Reibl
- D373,872 S 9/1996 Sham
- D376,455 S 12/1996 Loomis

Primary Examiner—Pamela Burgess
(74) *Attorney, Agent, or Firm*—Brinks Hofer Gilson & Lione

(57) **CLAIM**

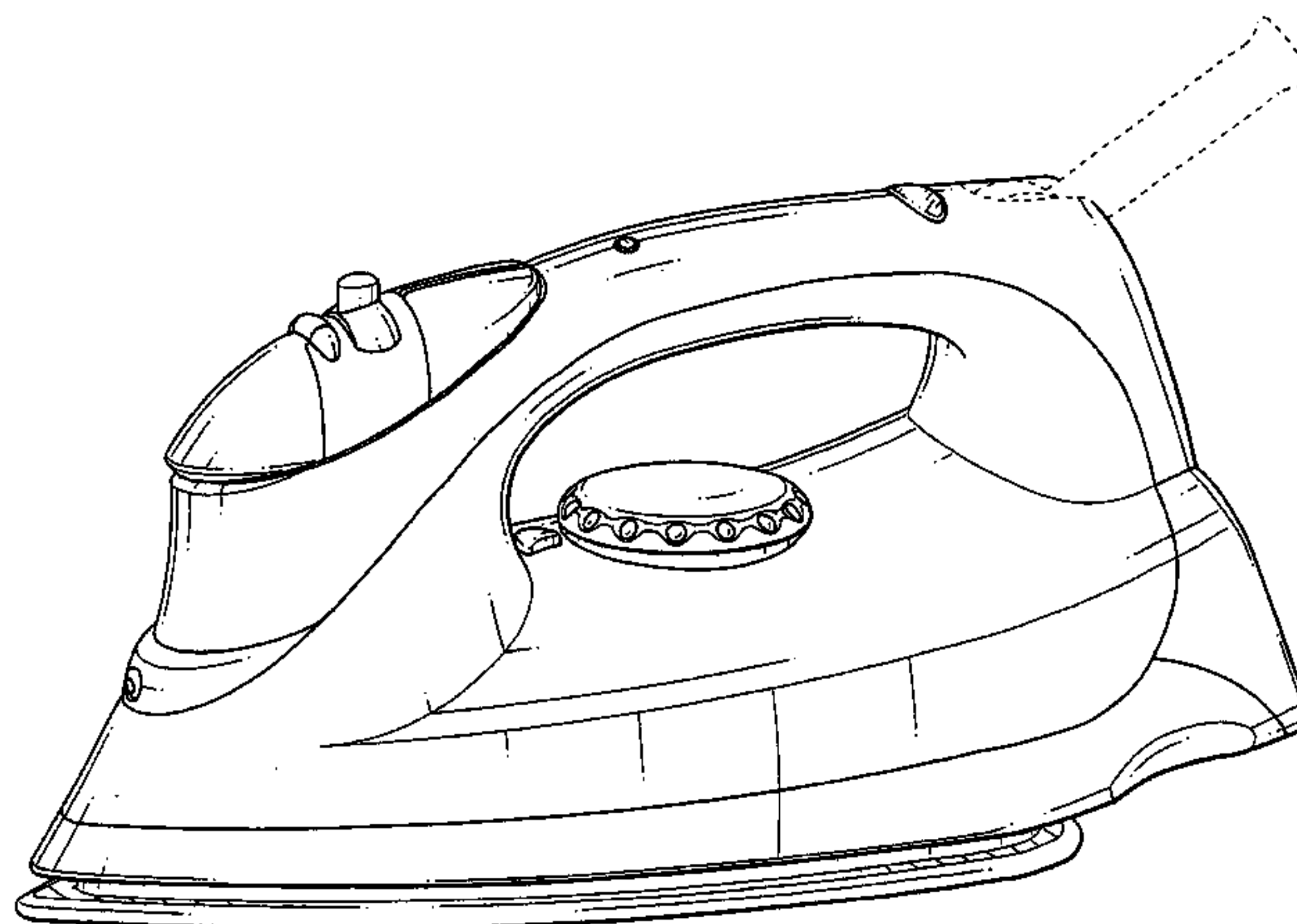
The ornamental design for a steam iron, as shown and described.

DESCRIPTION

FIG. 1 is a perspective view of a steam iron showing my new design;
 FIG. 2 is a left-side elevational view of FIG. 1;
 FIG. 3 is a right-side elevational view, showing the side opposite that in FIG. 2;
 FIG. 4 is a top view of FIG. 1;
 FIG. 5 is a bottom view showing the side opposite that in FIG. 4;
 FIG. 6 is a front view of FIG. 1; and,
 FIG. 7 is a rear view showing the side opposite that in FIG. 6.

The broken lines shown in the drawings are for illustrative purposes only and form no part of the claimed design.

1 Claim, 7 Drawing Sheets



US D525,405 S

Page 2

U.S. PATENT DOCUMENTS

D441,929 S	*	5/2001	Taylor	D32/70	D468,505 S	1/2003	Fujita et al.	
D442,752 S		5/2001	Choi		D470,286 S	2/2003	Hada	
D443,122 S	*	5/2001	Yang	D32/70	D470,287 S	2/2003	Hada	
D446,371 S	*	8/2001	Choi	D32/70	D470,635 S	2/2003	Choi	
D455,879 S		4/2002	Choi		D470,636 S	*	2/2003	Bas
D456,104 S		4/2002	Saltet		D472,354 S		3/2003	Figur et al.
D457,996 S		5/2002	Figur et al.		D476,124 S		6/2003	Garman
D459,045 S		6/2002	Figur et al.		D476,453 S		6/2003	Garman
D459,562 S	*	6/2002	Page et al.	D32/70	D478,401 S		8/2003	Lee
D464,779 S		10/2002	Garman		D480,192 S		9/2003	Wendt
D464,780 S		10/2002	Schupp		D480,524 S		10/2003	Wendt
D465,626 S		11/2002	Edmonds		D480,525 S		10/2003	Wendt
D466,260 S		11/2002	Wu		D481,503 S		10/2003	Choi
D466,663 S		12/2002	Wendt					

* cited by examiner

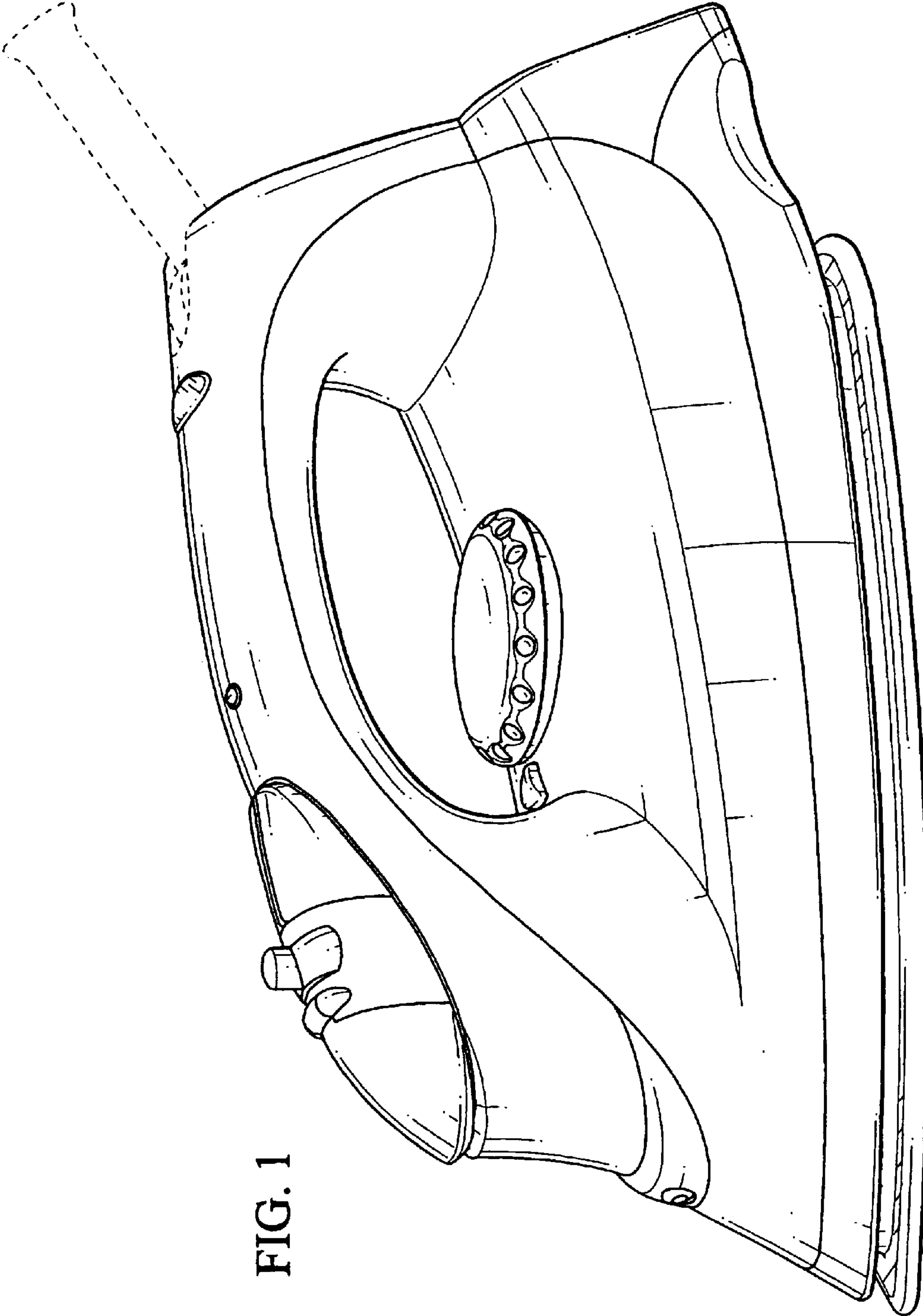
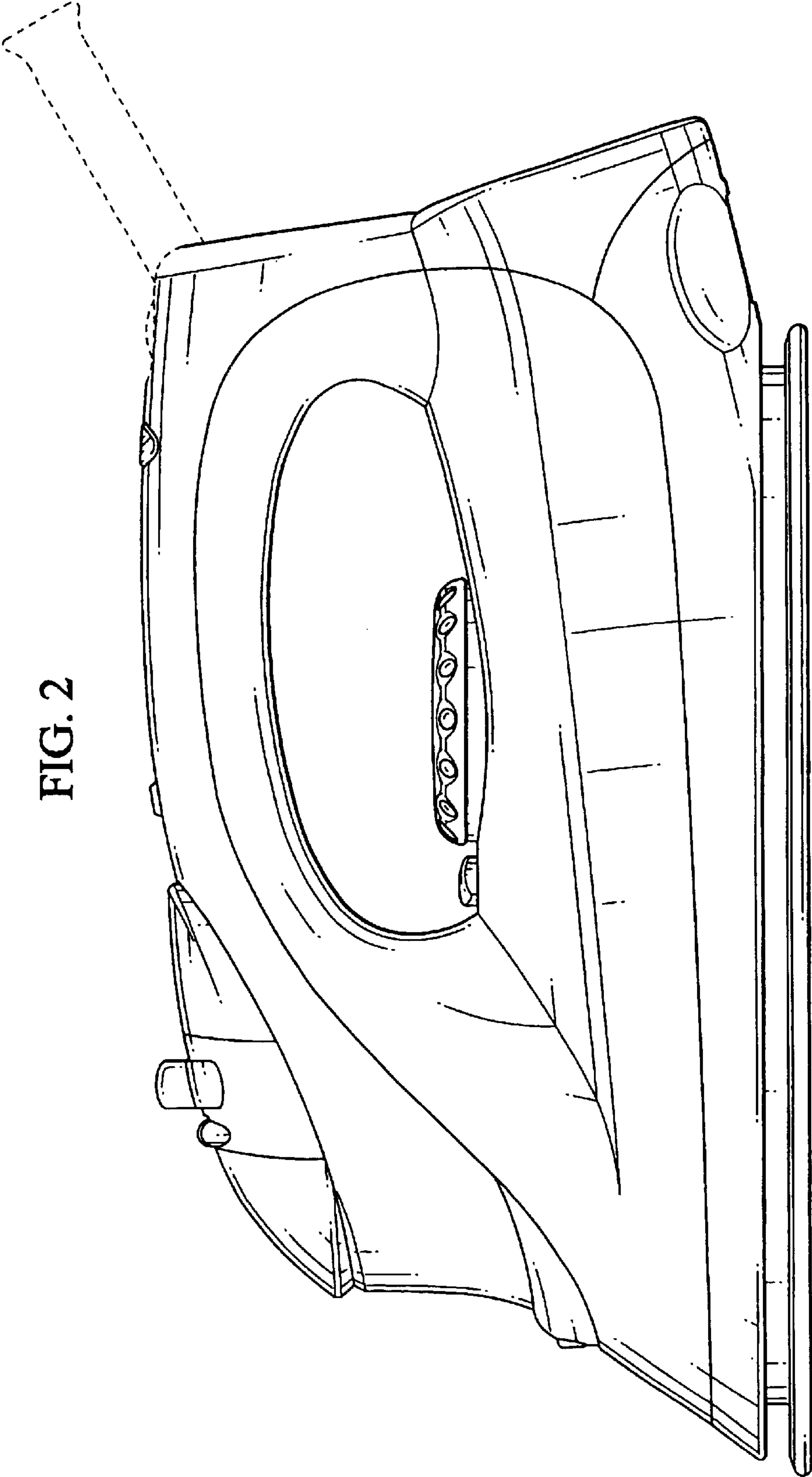
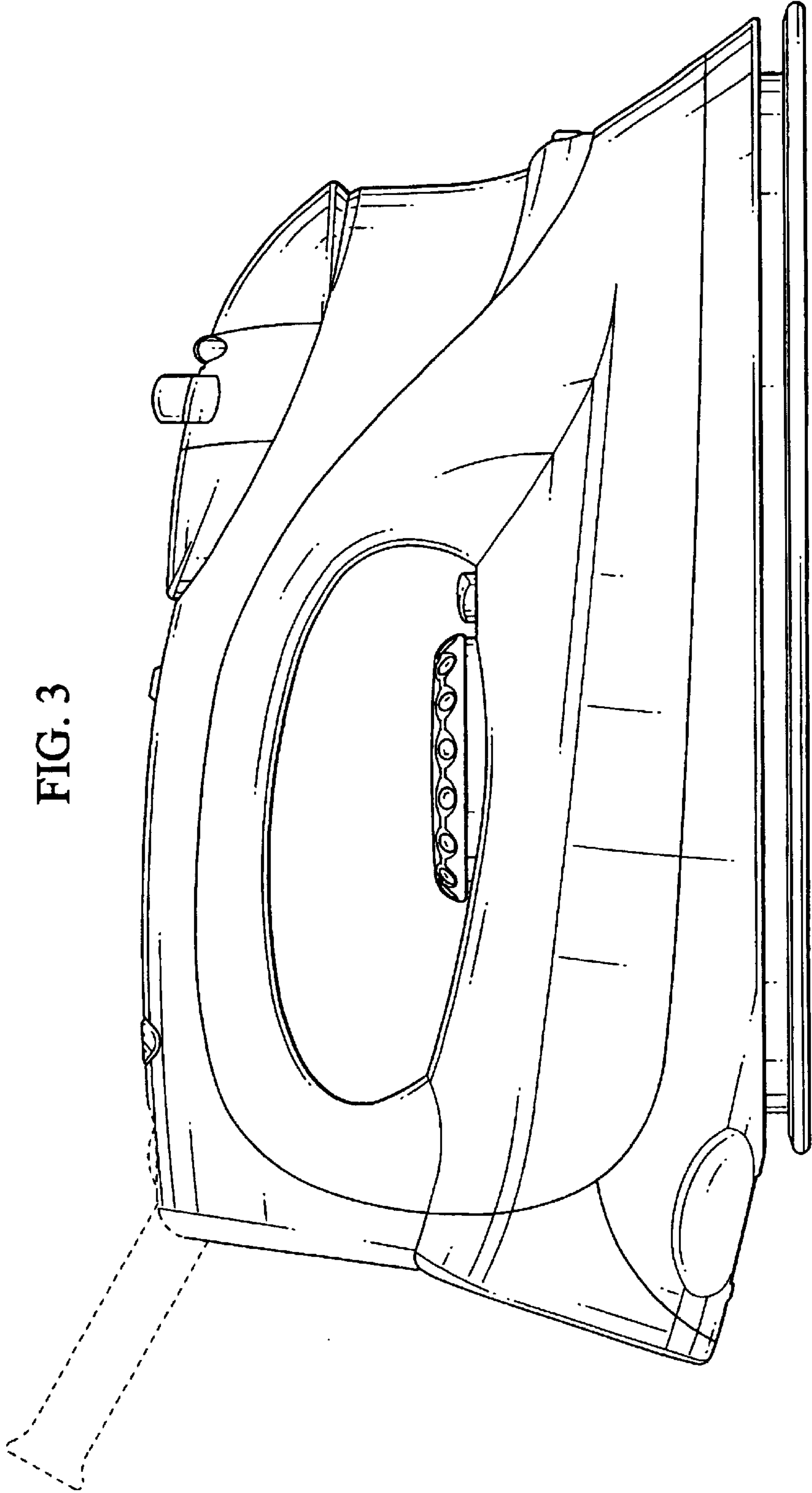


FIG. 1

FIG. 2





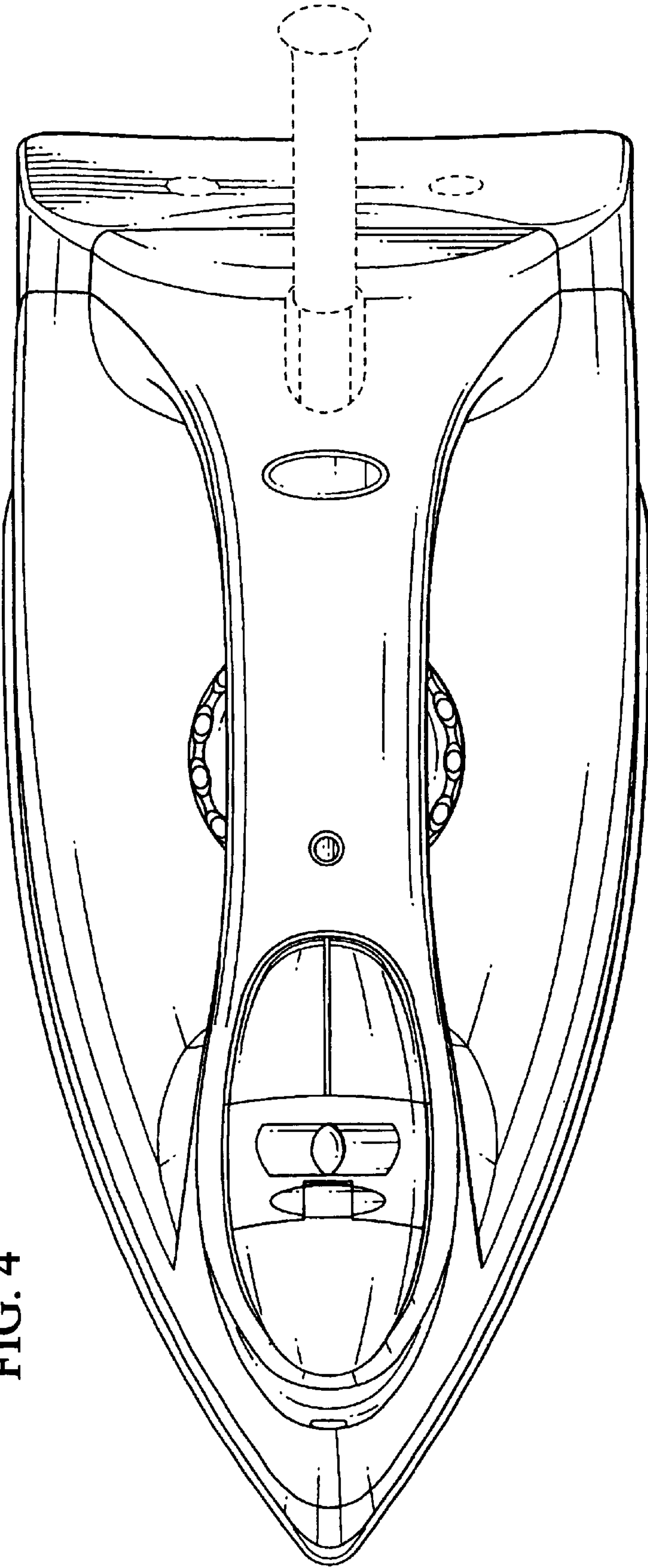


FIG. 4

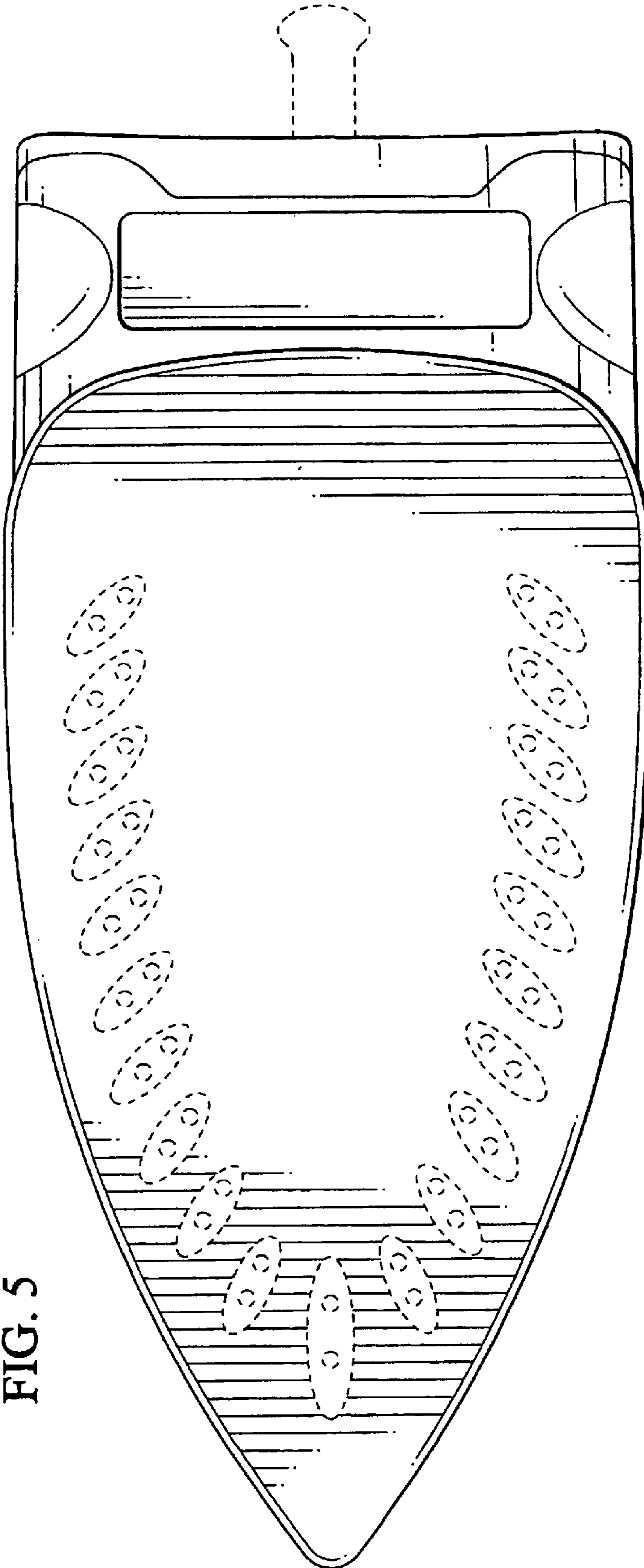


FIG. 5

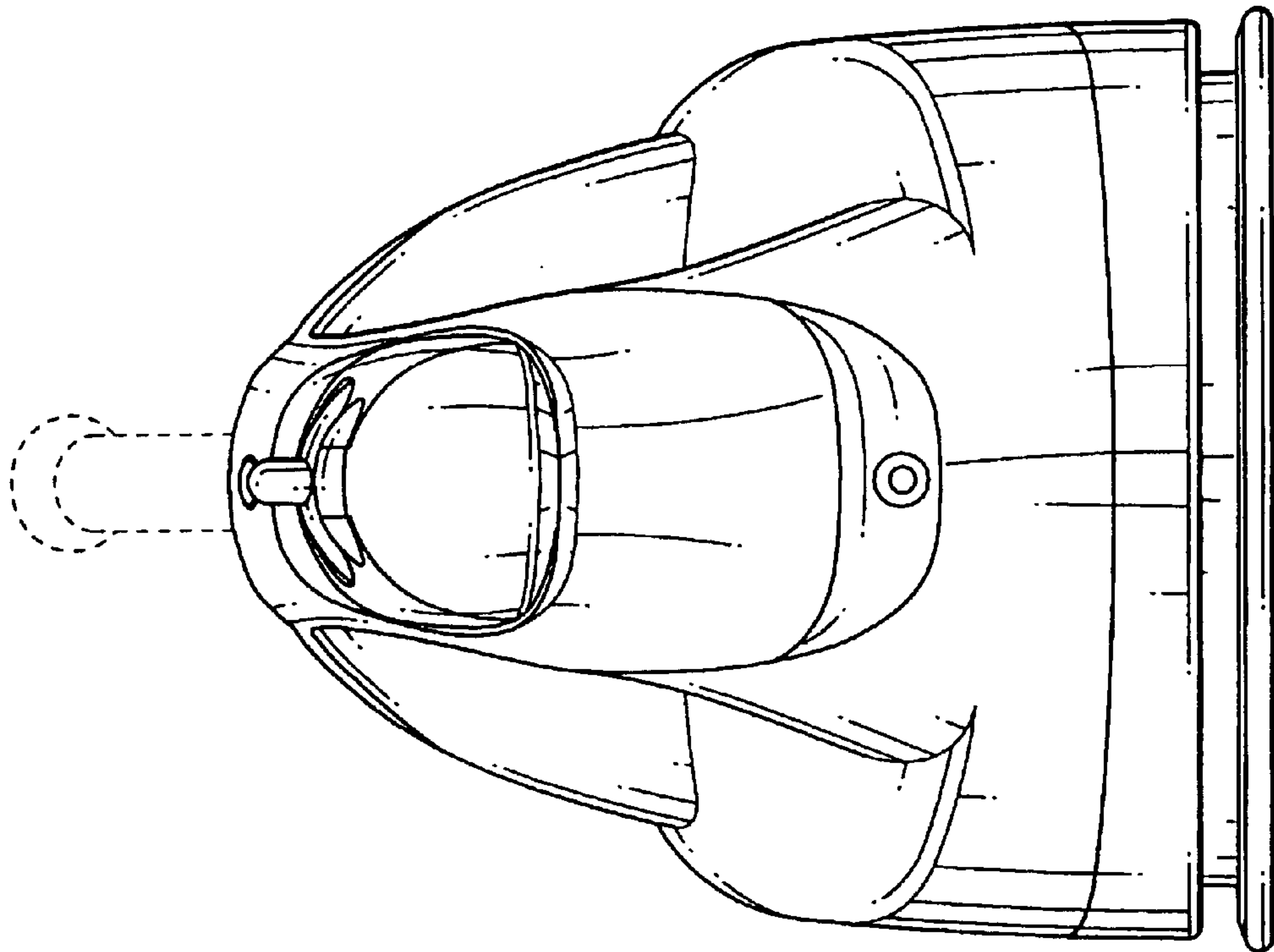


FIG. 6

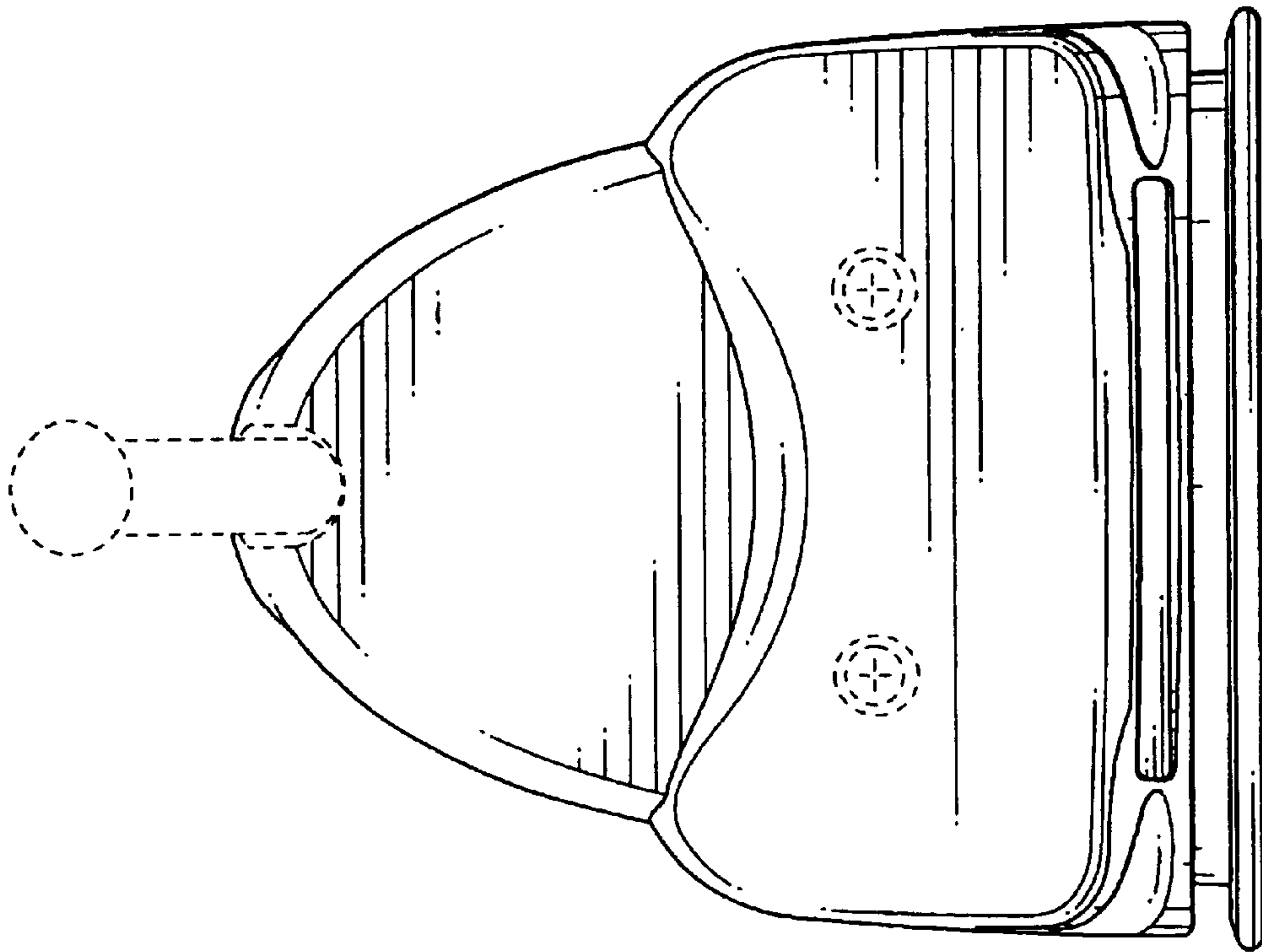


FIG. 7