

US00D525404S

(12) **United States Design Patent**  
**Petner et al.**

(10) **Patent No.:** **US D525,404 S**  
(45) **Date of Patent:** **\*\* Jul. 18, 2006**

(54) **COMBINATION MOP WRINGER AND BUCKET SYSTEM**

(75) Inventors: **Robert E. Petner**, Burlington, NJ (US);  
**Jonathan A. Jaffe**, Voorhees, NJ (US)

(73) Assignee: **Quickie Manufacturing Corporation**,  
Cinnaminson, NJ (US)

(\*\*) Term: **14 Years**

(21) Appl. No.: **29/215,555**

(22) Filed: **Oct. 21, 2004**

(51) **LOC (8) Cl.** ..... **07-07**

(52) **U.S. Cl.** ..... **D32/53**

(58) **Field of Classification Search** ..... D32/53,  
D32/53.1, 54; D3/315; 15/257.05, 260, 261,  
15/263, 264; 68/241, 243; 100/131, 132;  
220/604, 608, 640-642, 675, 676, 760, 762,  
220/763, 765, 773, 775, 776, 904, DIG. 12,  
220/DIG. 13, DIG. 14  
See application file for complete search history.

(56) **References Cited**

**U.S. PATENT DOCUMENTS**

5,974,621 A \* 11/1999 Wilen ..... 15/261  
5,983,441 A \* 11/1999 Williams et al. .... 15/261  
D489,852 S \* 5/2004 Perelli ..... D32/53

\* cited by examiner

*Primary Examiner*—Alan P. Douglas

*Assistant Examiner*—Lavone D. Tabor

(74) *Attorney, Agent, or Firm*—Stuart M. Goldstein

(57) **CLAIM**

The ornamental design for a combination mop wringer and bucket system, as shown and described.

**DESCRIPTION**

FIG. 1 is a perspective view of the combination mop wringer and bucket system of the present invention.

FIG. 2 is an elevation view of the system of the present invention.

FIG. 3 is the other elevation view of the system of the present invention.

FIG. 4 is a front view of the system of the present invention.

FIG. 5 is a rear view of the system of the present invention.

FIG. 6 is a top view of the system of the present invention.

FIG. 7 is a bottom view of the system of the present invention.

FIG. 8 is a partial, cut-out elevation view of the system of the present invention.

FIG. 9 is a partial, cut-out front view of the system of the present invention.

FIG. 10 is a rear view of the wringer and columar support member, separable components of the system of the present invention.

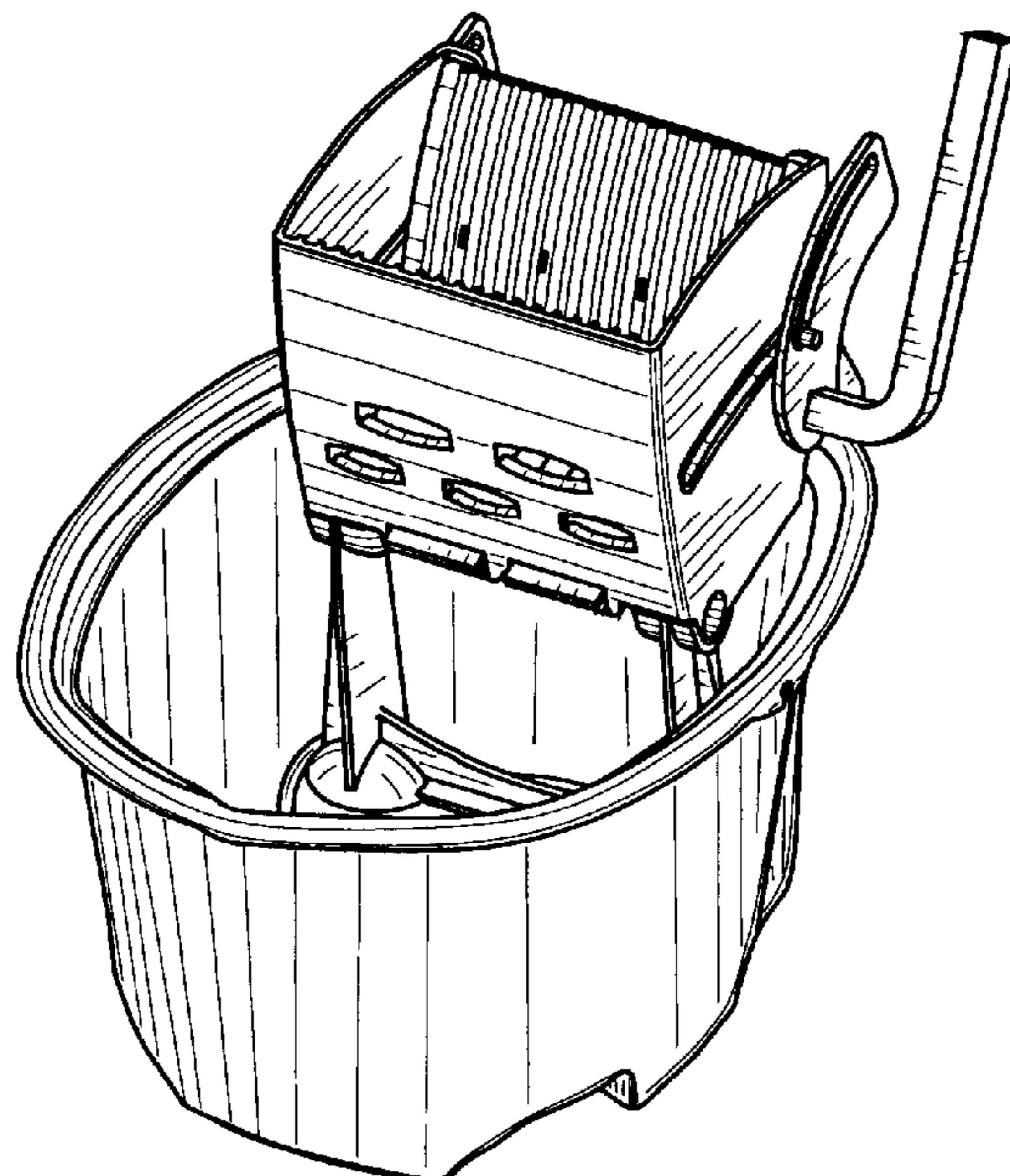
FIG. 11 is a perspective view of the wringer and columar support member, separable components of the present invention, with the wringer handle in an upright position and the basket opened.

FIG. 12 is a perspective view of the wringer and columar support member, separable components of the present invention, with the wringer handle in a down position, having moved the pressure plate for mop wringing operations; and,

FIG. 13 is a perspective view of the separable columar support member component of the system of the present invention.

The components shown in FIGS. 10-13 are shown separately for clarity of illustration only.

**1 Claim, 8 Drawing Sheets**



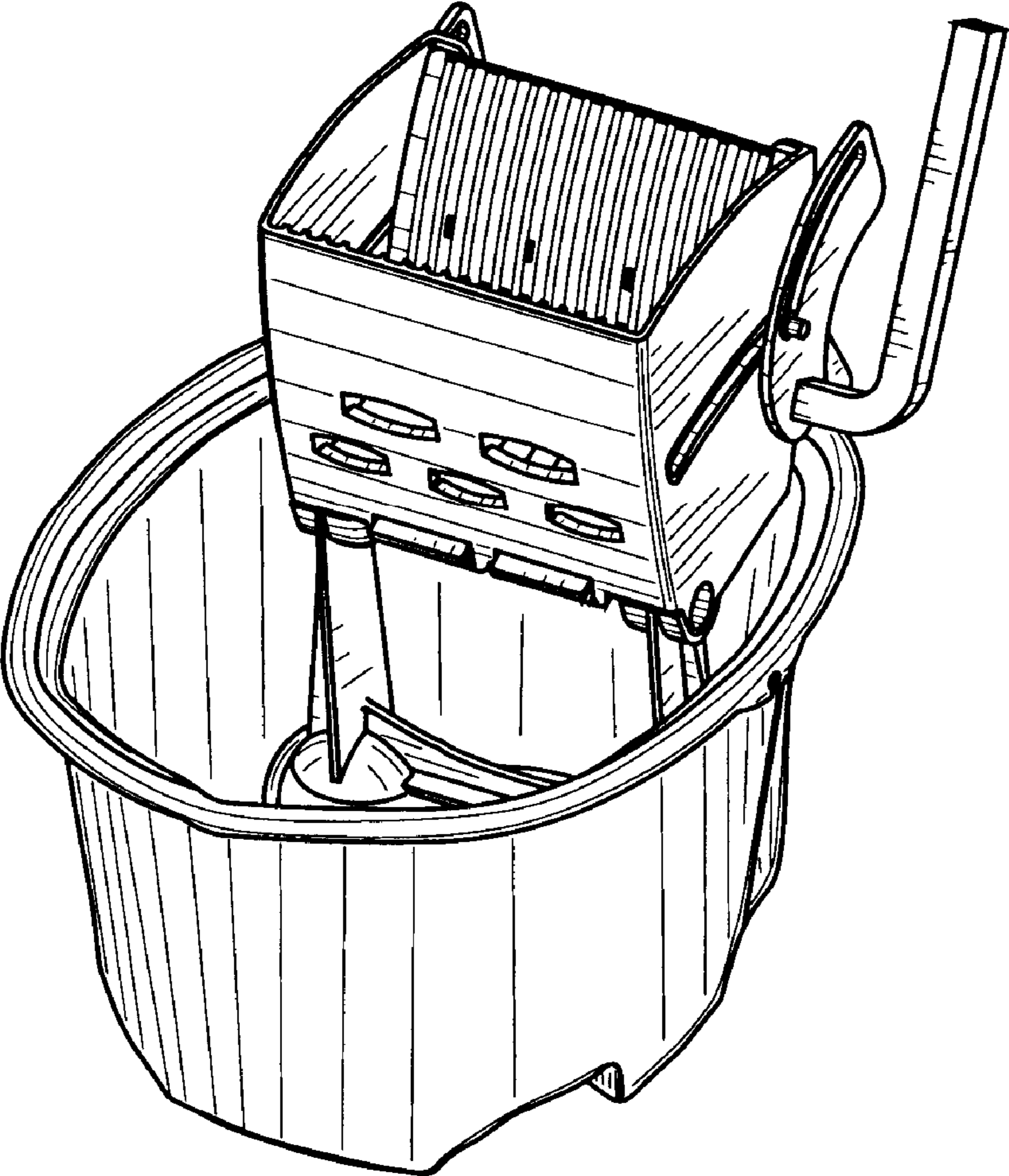


FIG. 1

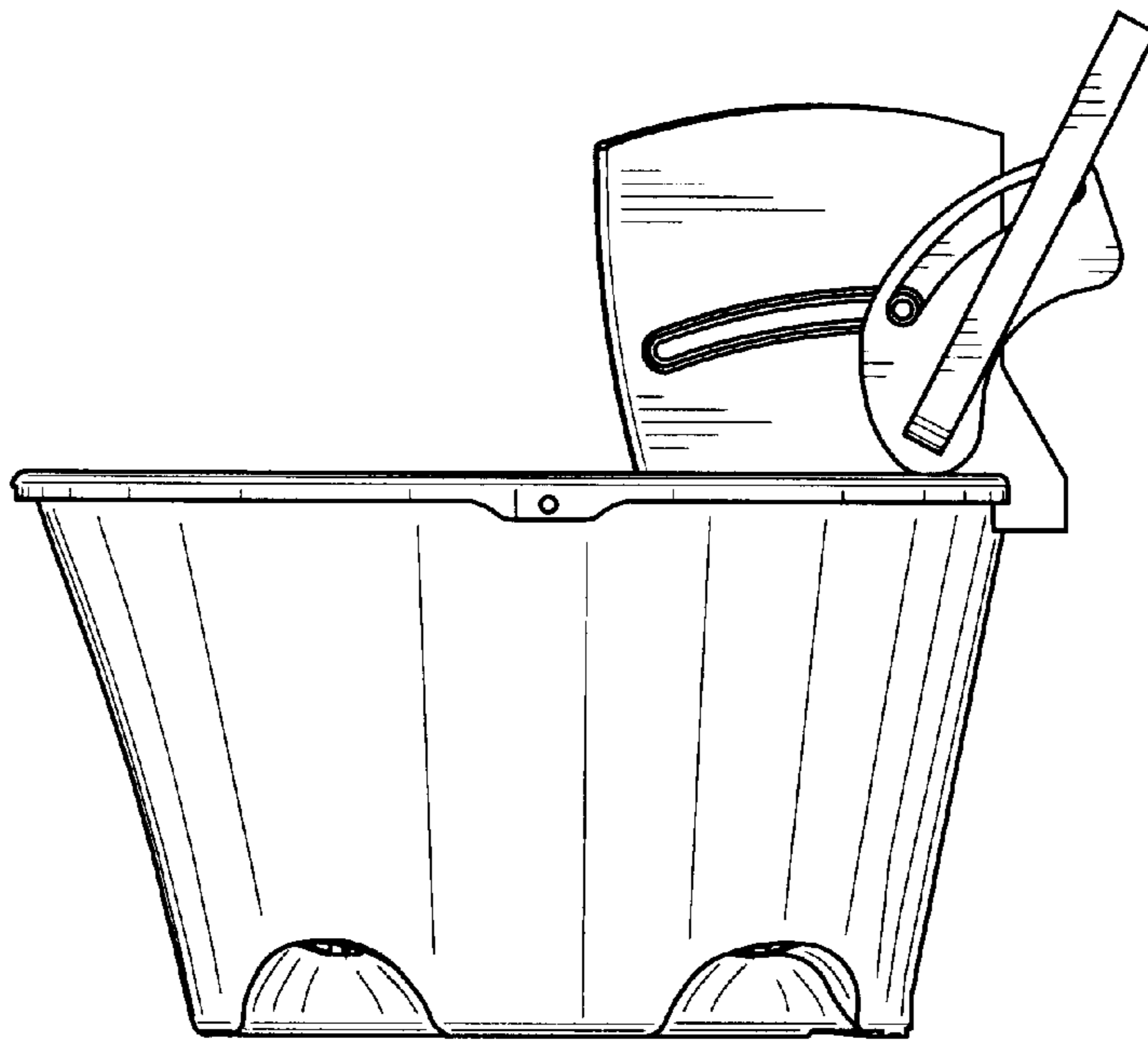


FIG. 2

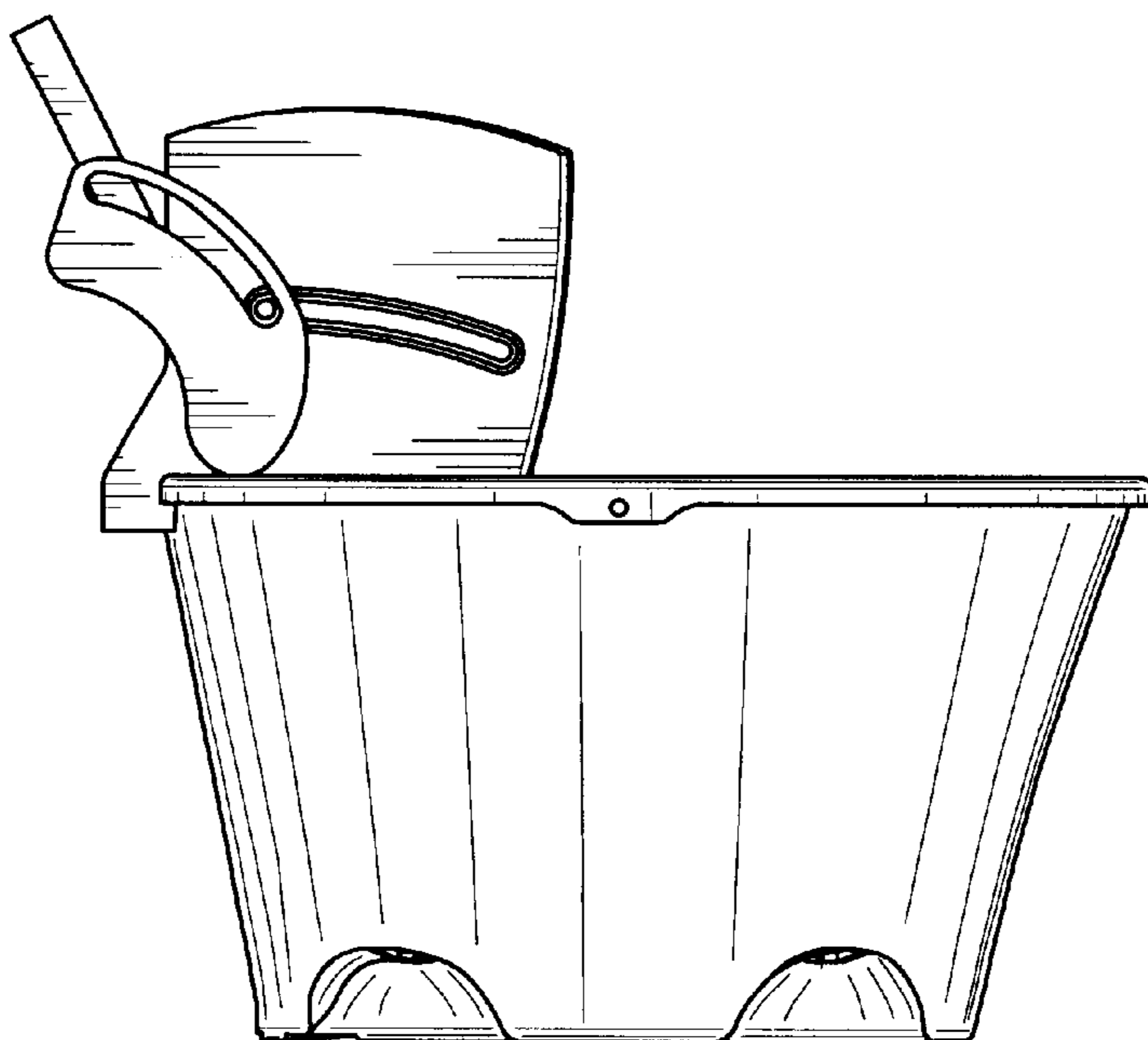


FIG. 3

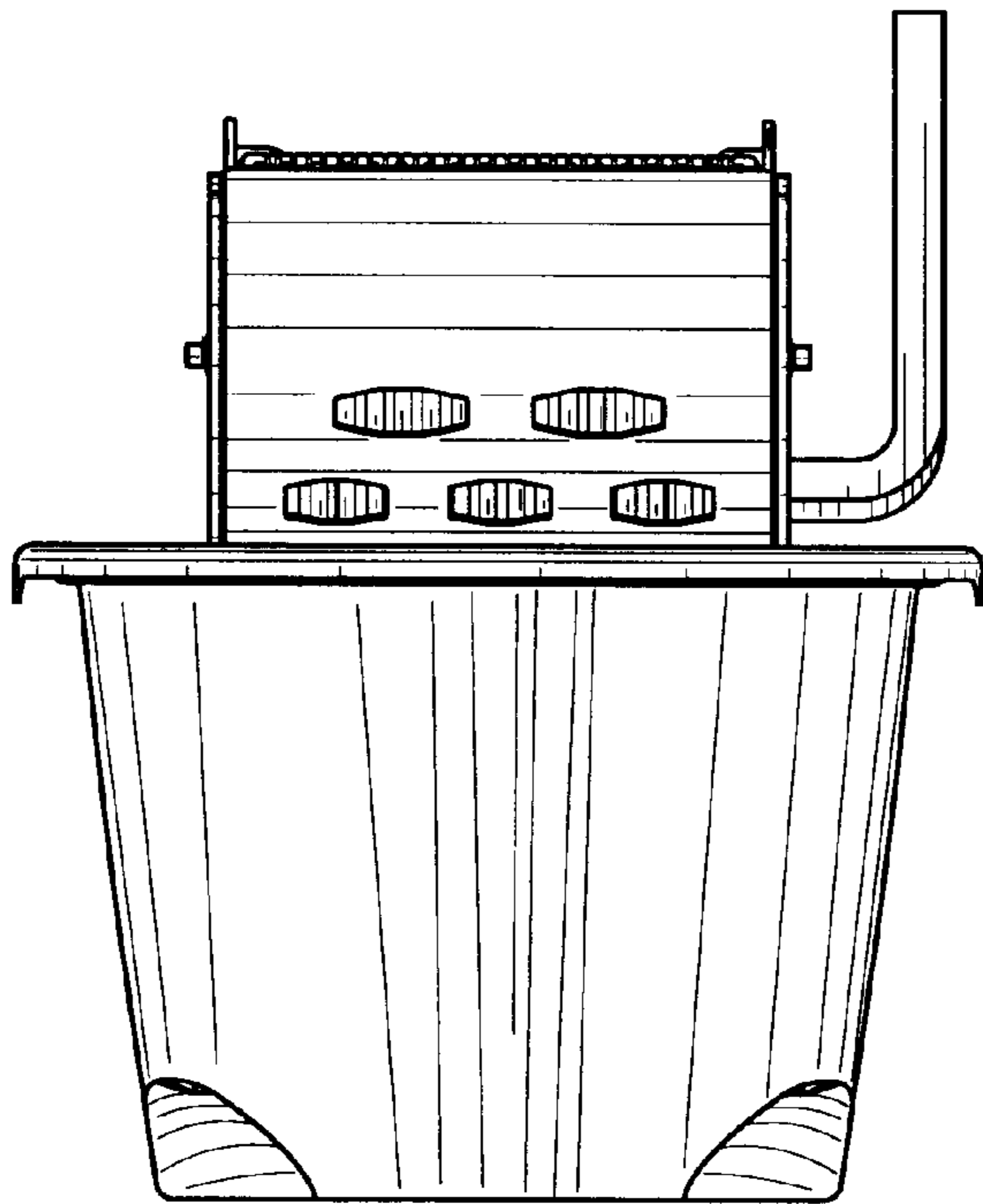


FIG. 4

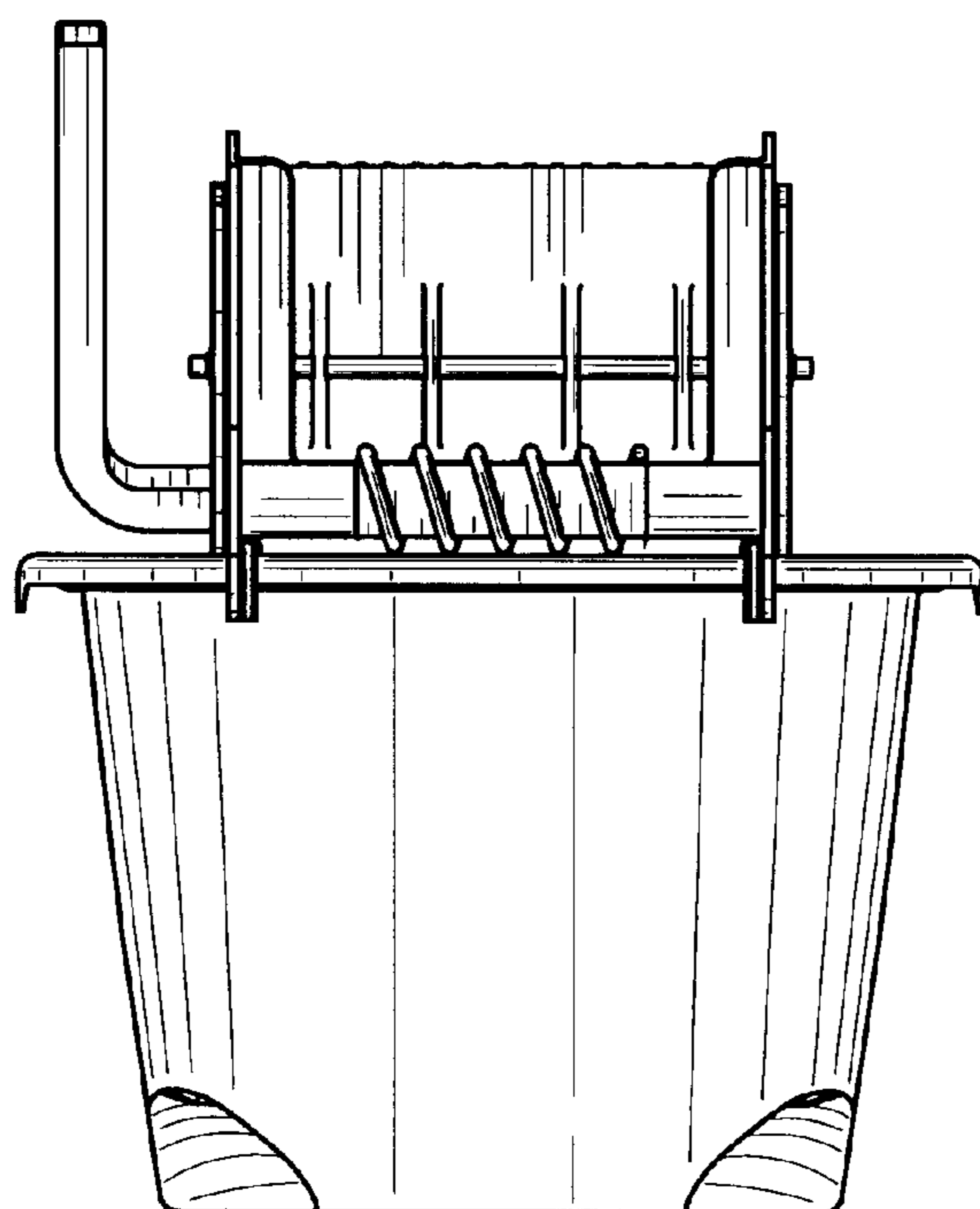


FIG. 5



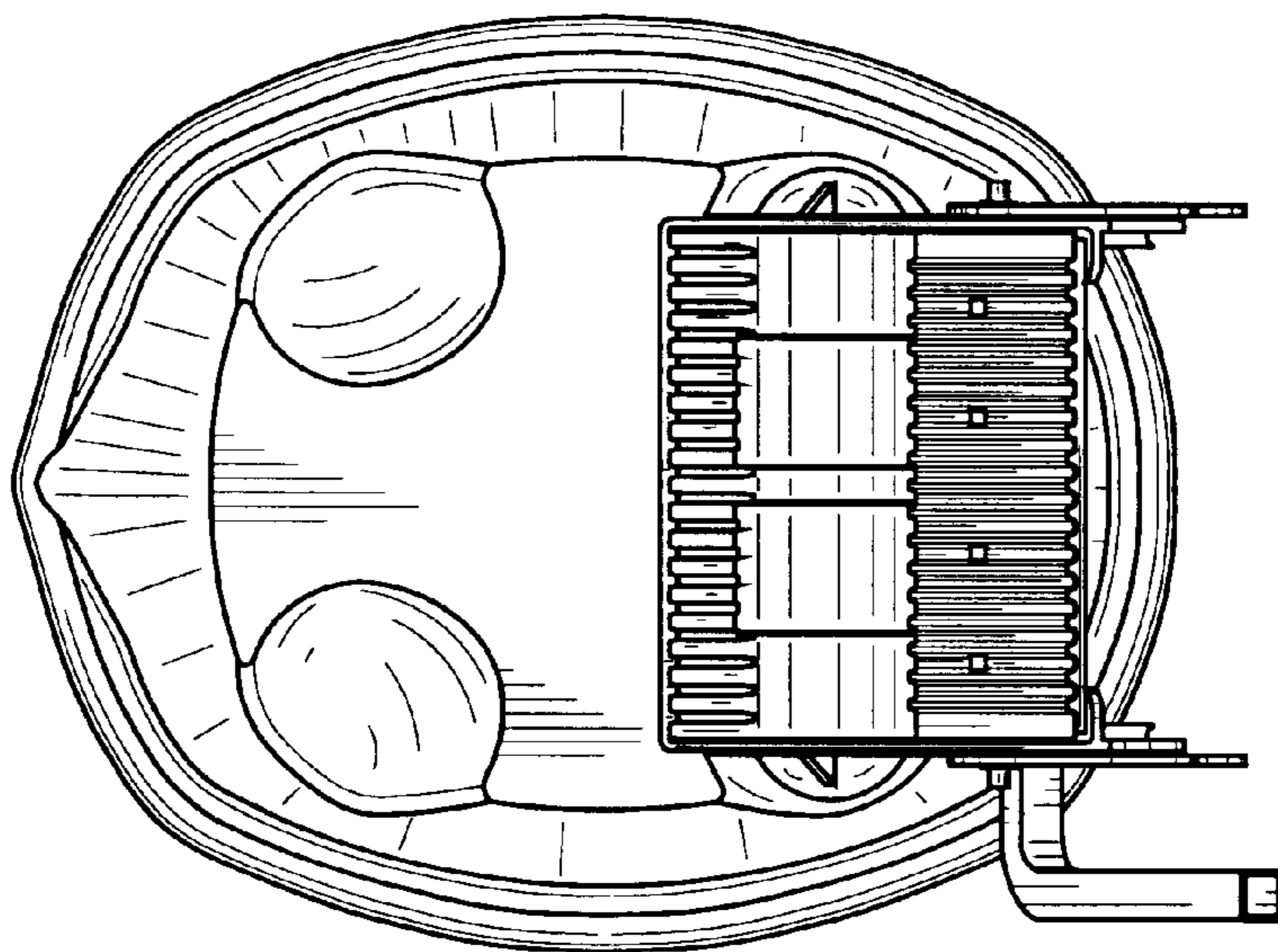


FIG. 6

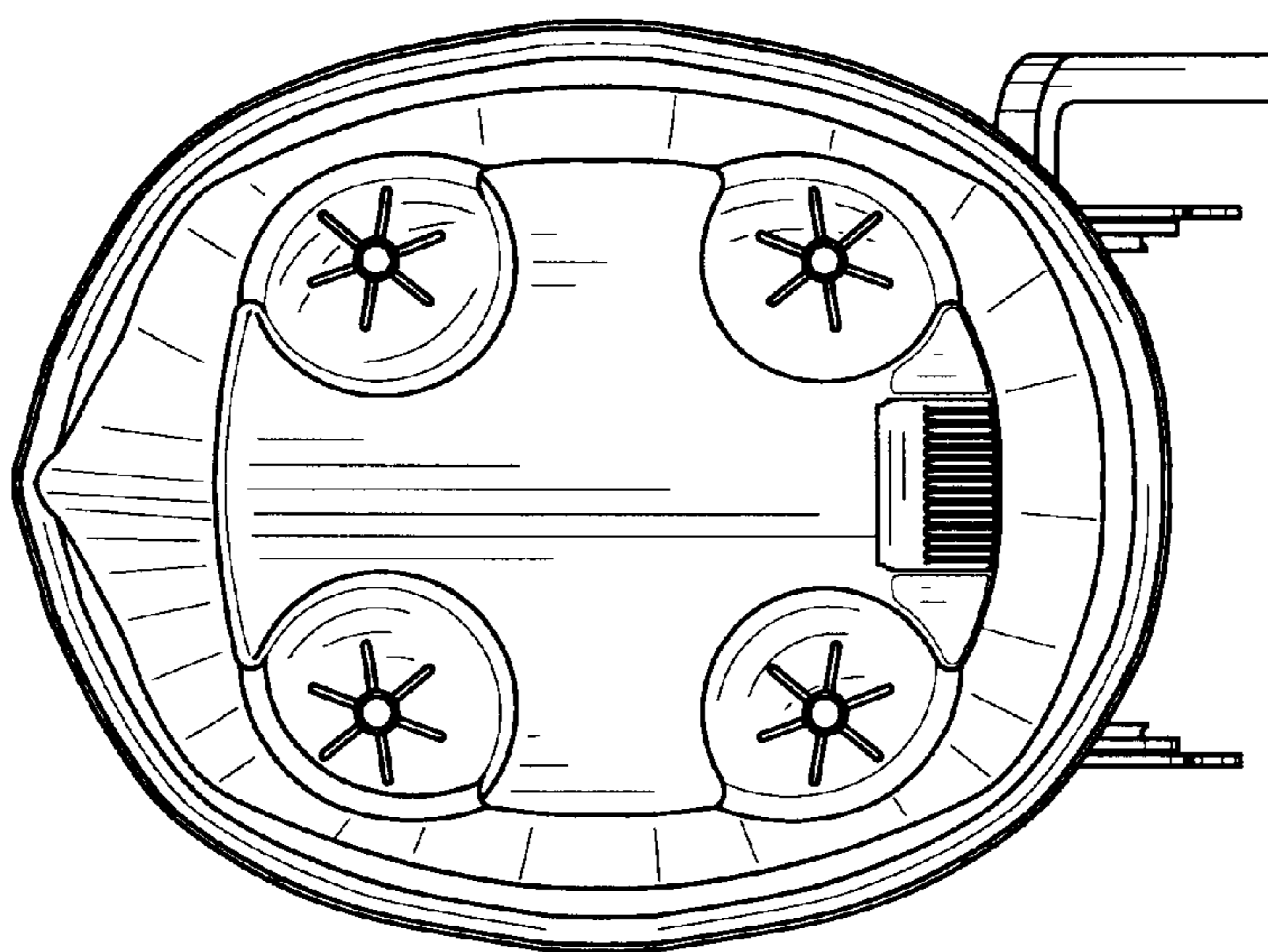


FIG. 7

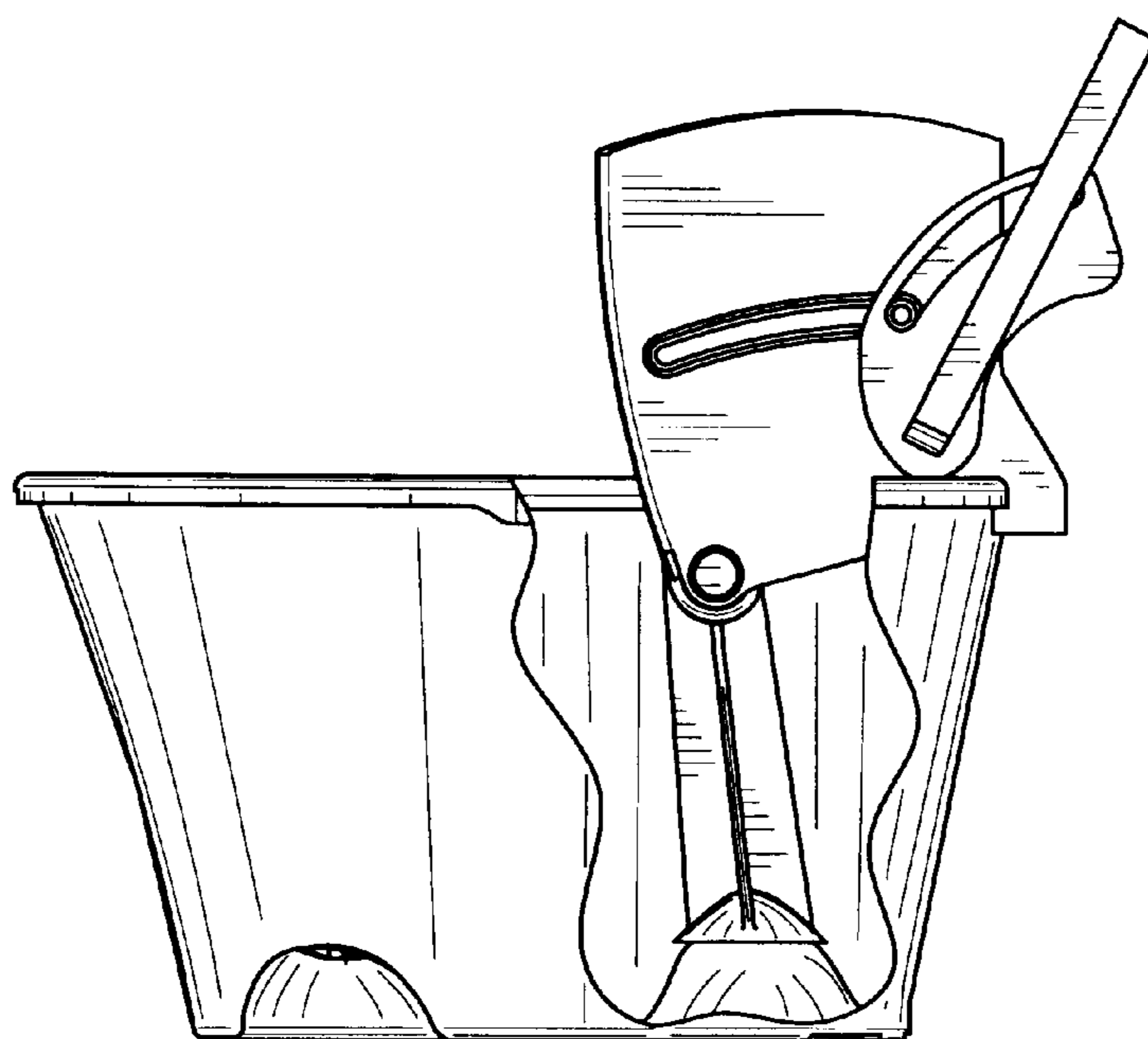


FIG. 8

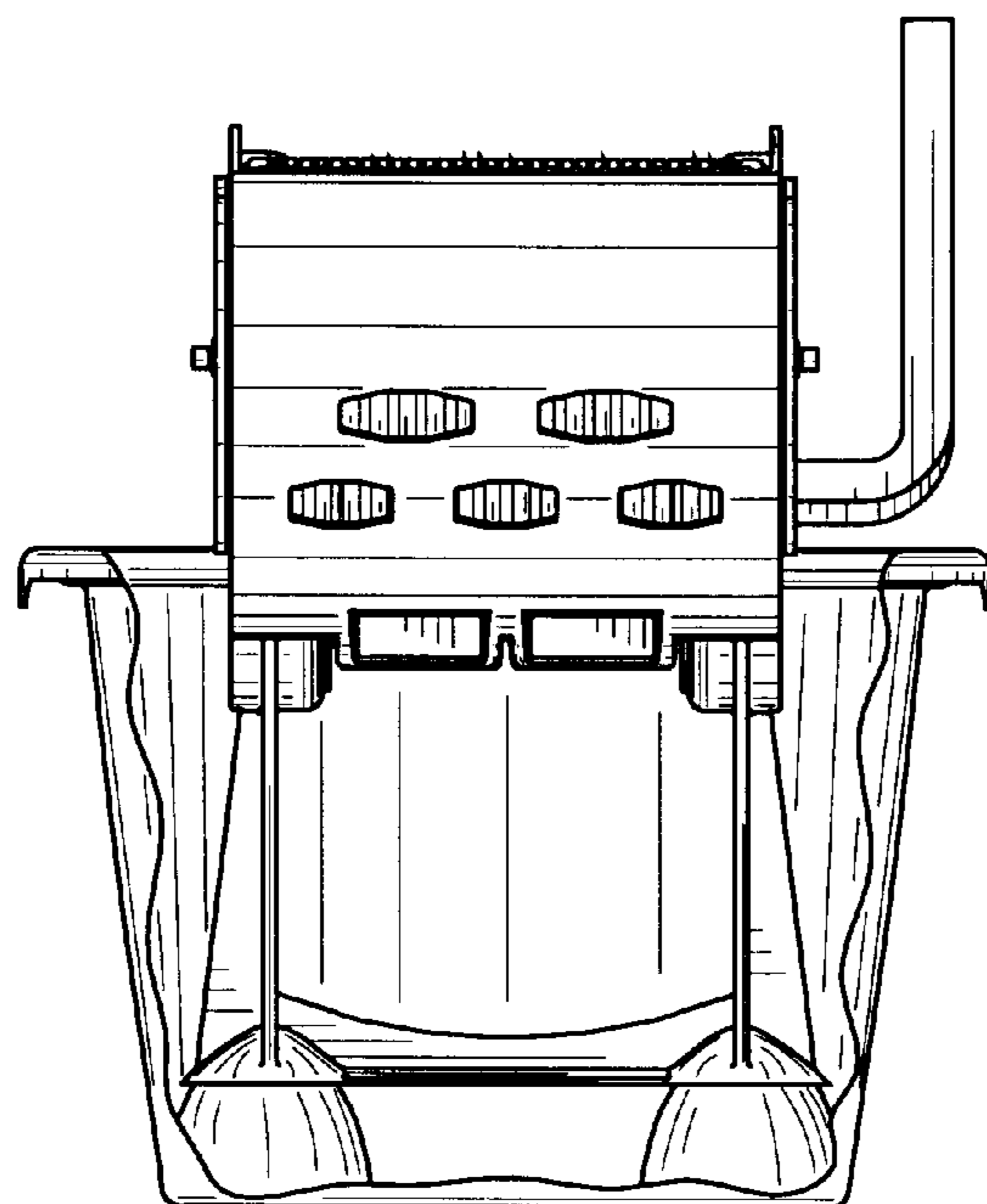


FIG. 9

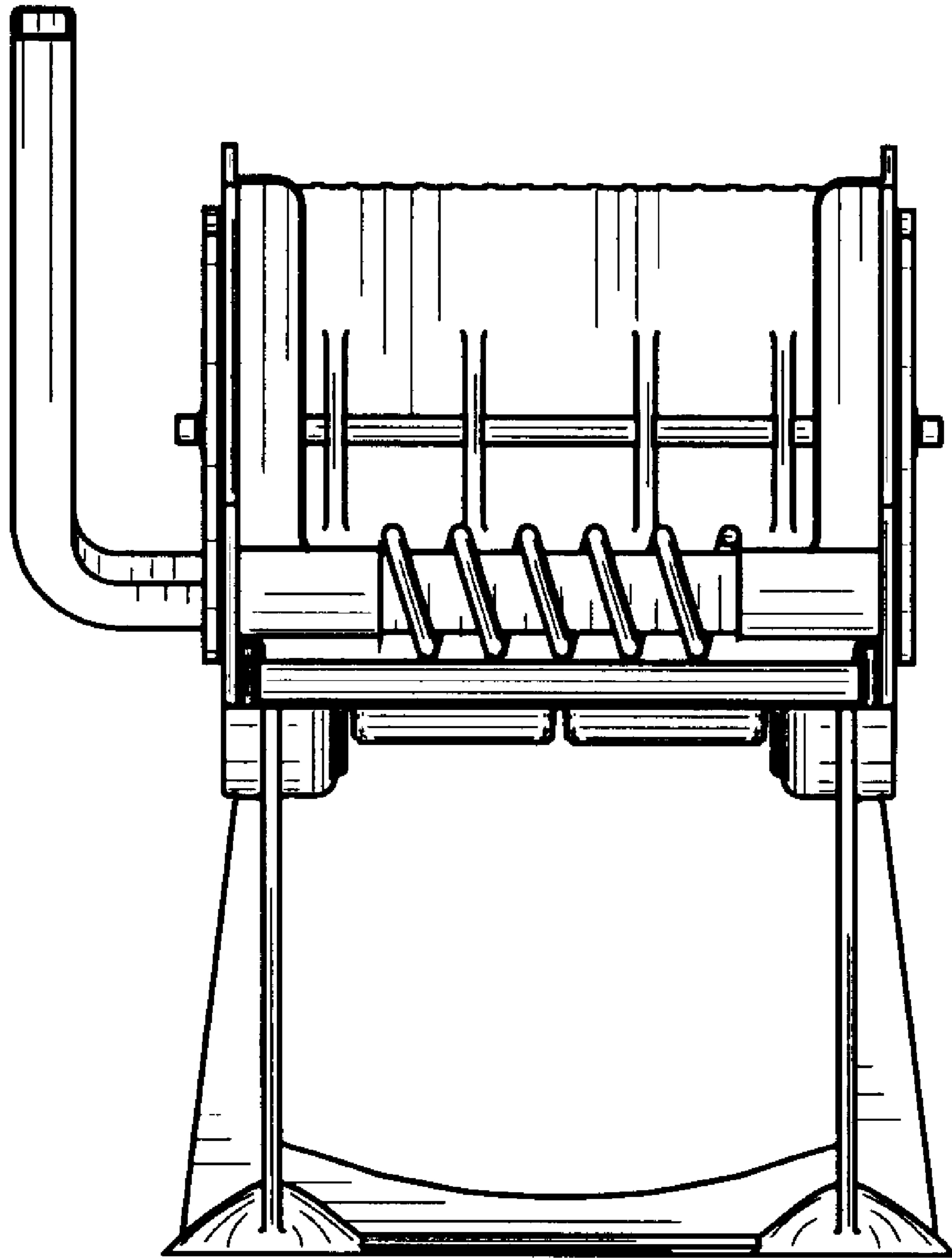


FIG. 10

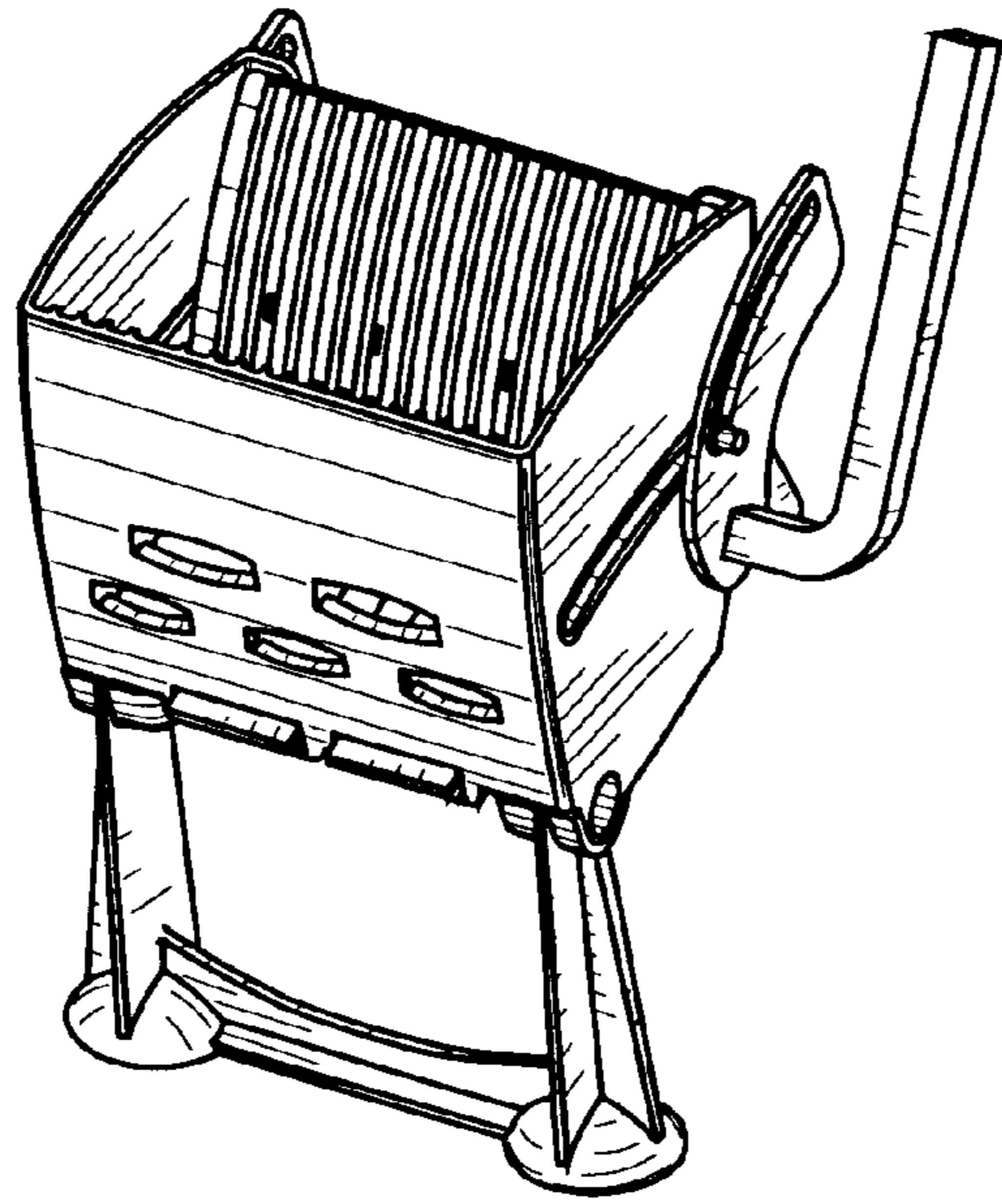


FIG. 11

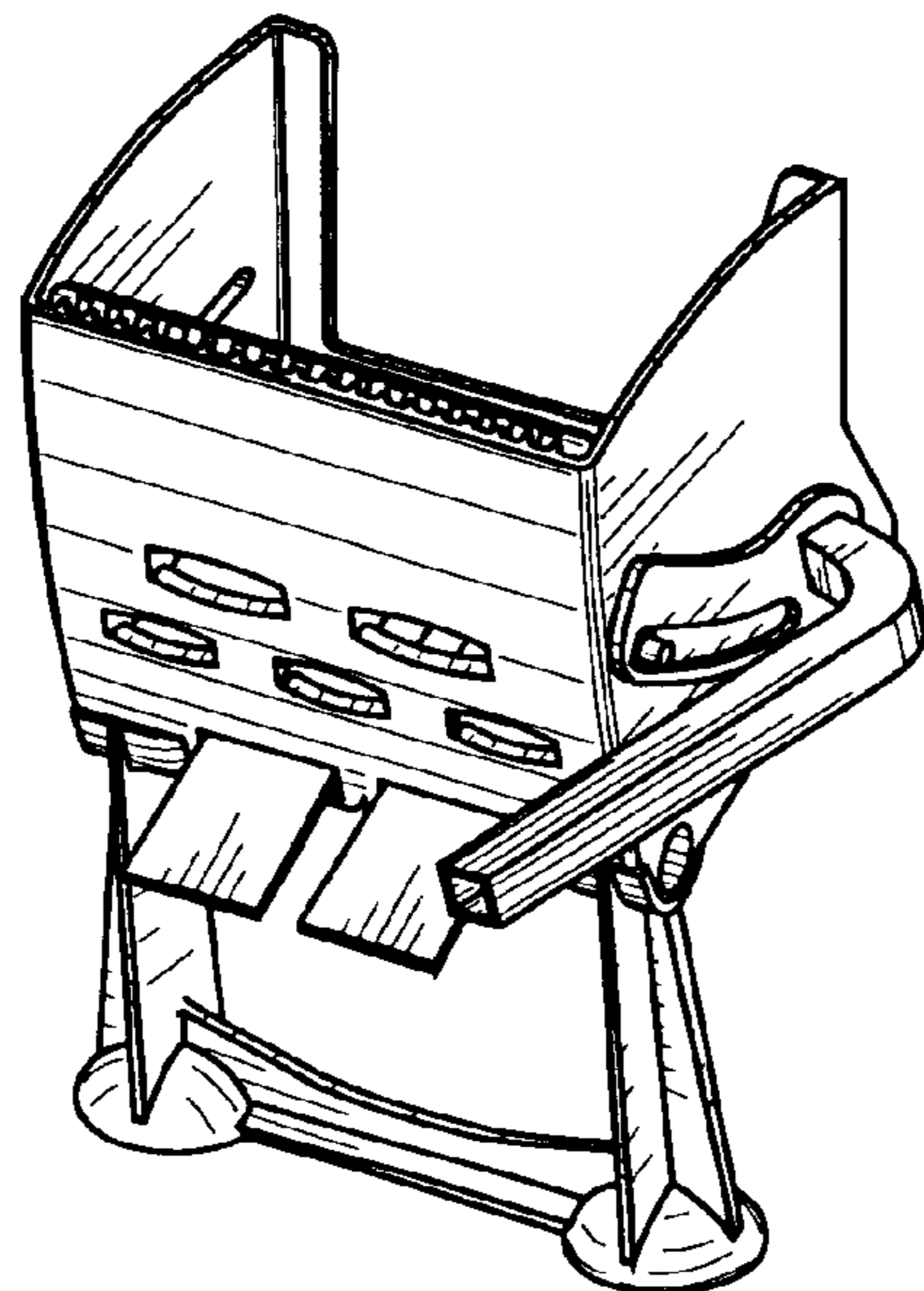
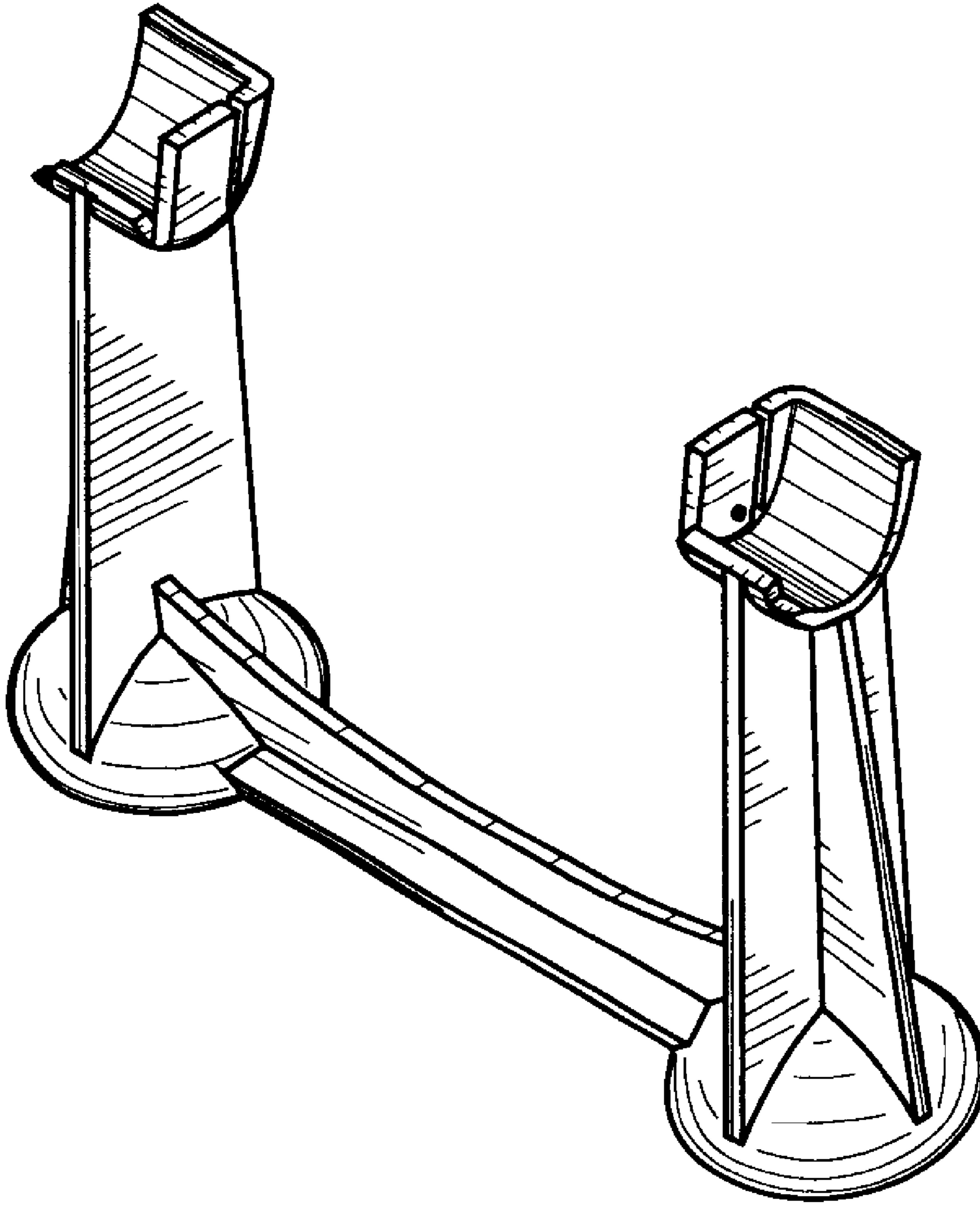


FIG. 12





**FIG. 13**