



US00D525397S

(12) **United States Design Patent**
Wang

(10) **Patent No.:** **US D525,397 S**

(45) **Date of Patent:** **** Jul. 18, 2006**

(54) **PET TOY**

(75) **Inventor:** **Yueh Yu Wang**, Kowloon (HK)

(73) **Assignee:** **Topet International Co., Limited**,
Kowloon (HK)

(**) **Term:** **14 Years**

(21) **Appl. No.:** **29/227,452**

(22) **Filed:** **Apr. 12, 2005**

(51) **LOC (8) Cl.** **30-99**

(52) **U.S. Cl.** **D30/160; D21/681**

(58) **Field of Classification Search** D30/160;
D1/106, 125-128, 199; D21/406-408, 476,
D21/483, 662, 681-682, 685, 707, 713, 708,
D21/711, 714, 623; D24/211-212, 194-195;
119/702-703, 706-711; 473/575-576, 579-580,
473/596; 601/118, 120-121

See application file for complete search history.

(56) **References Cited**

U.S. PATENT DOCUMENTS

28,505	A	*	5/1860	Savage	482/108
1,345,096	A	*	6/1920	Mount	601/118
1,631,990	A	*	6/1927	Tabb	132/233
3,104,648	A	*	9/1963	Fisher	119/711
D215,057	S	*	8/1969	Sun	D21/681
D243,013	S	*	1/1977	Jones et al.	D21/681
4,109,649	A	*	8/1978	Iyomasa	601/121
D253,373	S	*	11/1979	Celeste	D24/212
D264,625	S	*	5/1982	Shiu	D24/211
5,496,244	A	*	3/1996	Caruthers	482/108

5,865,146	A	*	2/1999	Markham	119/707
D427,391	S	*	6/2000	Gill	D30/160
D475,816	S	*	6/2003	Adamson	D30/160
D497,457	S	*	10/2004	Willinger	D30/160
D504,748	S	*	5/2005	Jager	D30/160
2002/0129774	A1	*	9/2002	Strongin	119/707

* cited by examiner

Primary Examiner—Cathy Anne MacCormac

(74) *Attorney, Agent, or Firm*—Marsh Fischmann & Breyfogle LLP

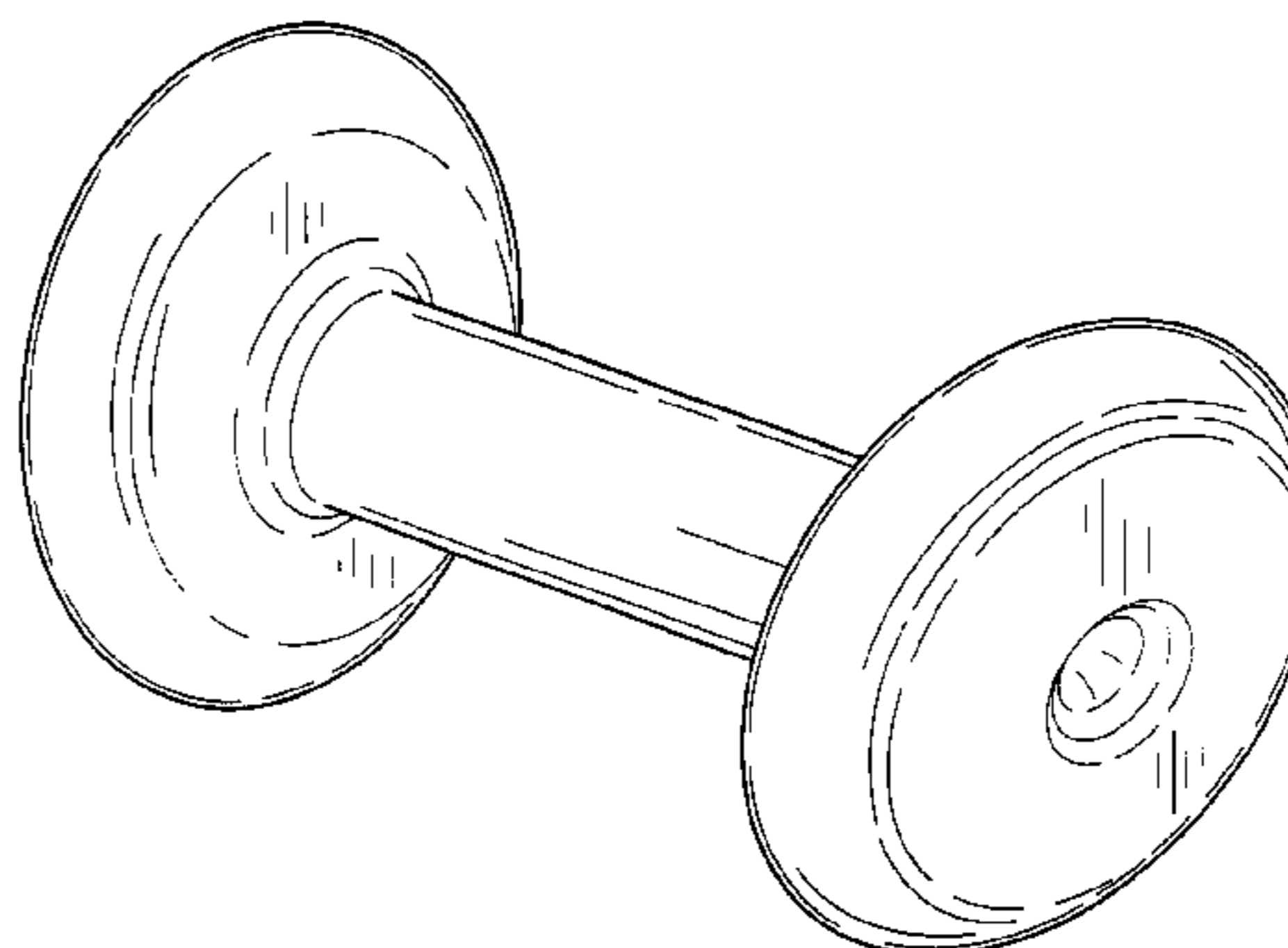
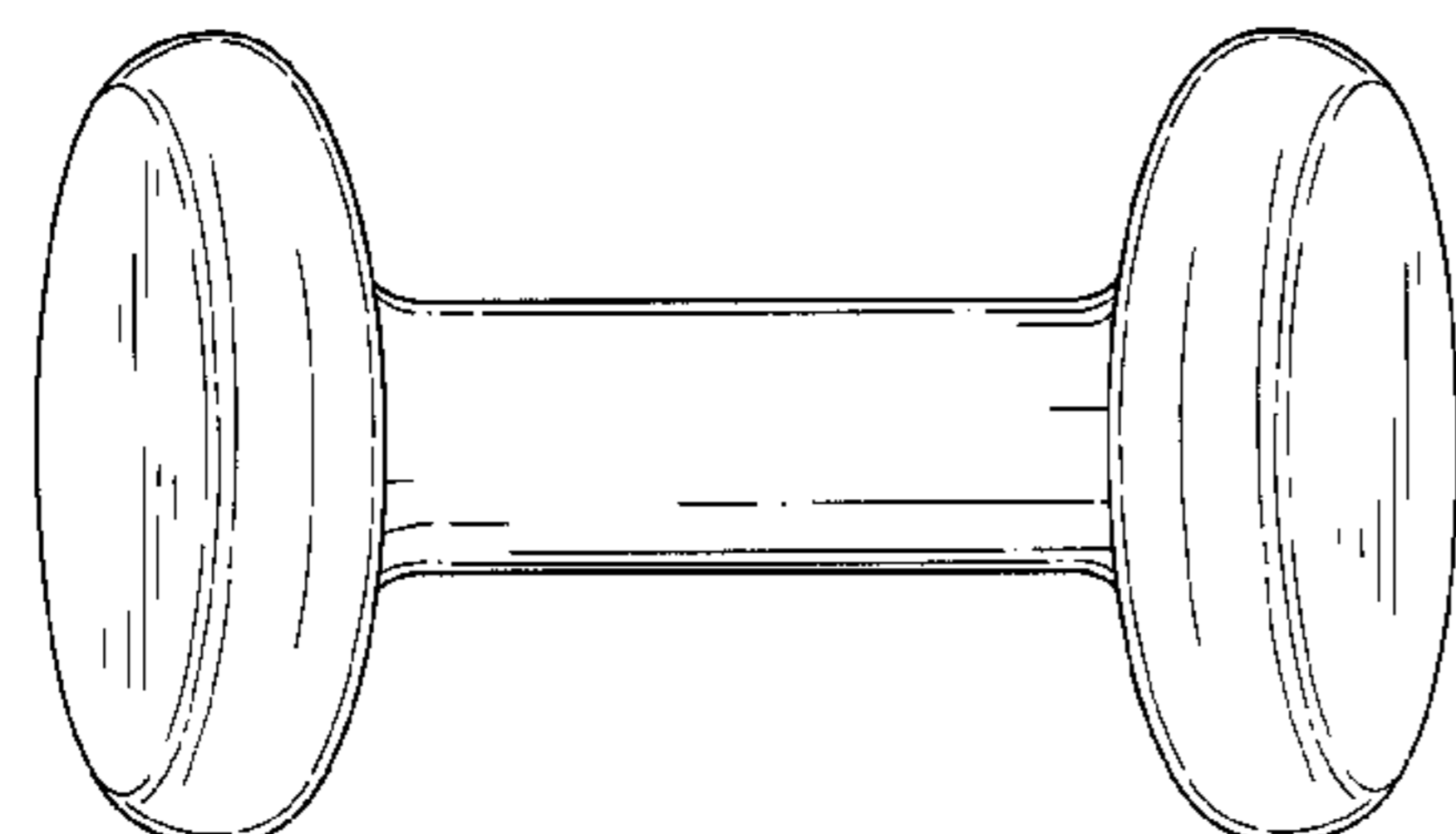
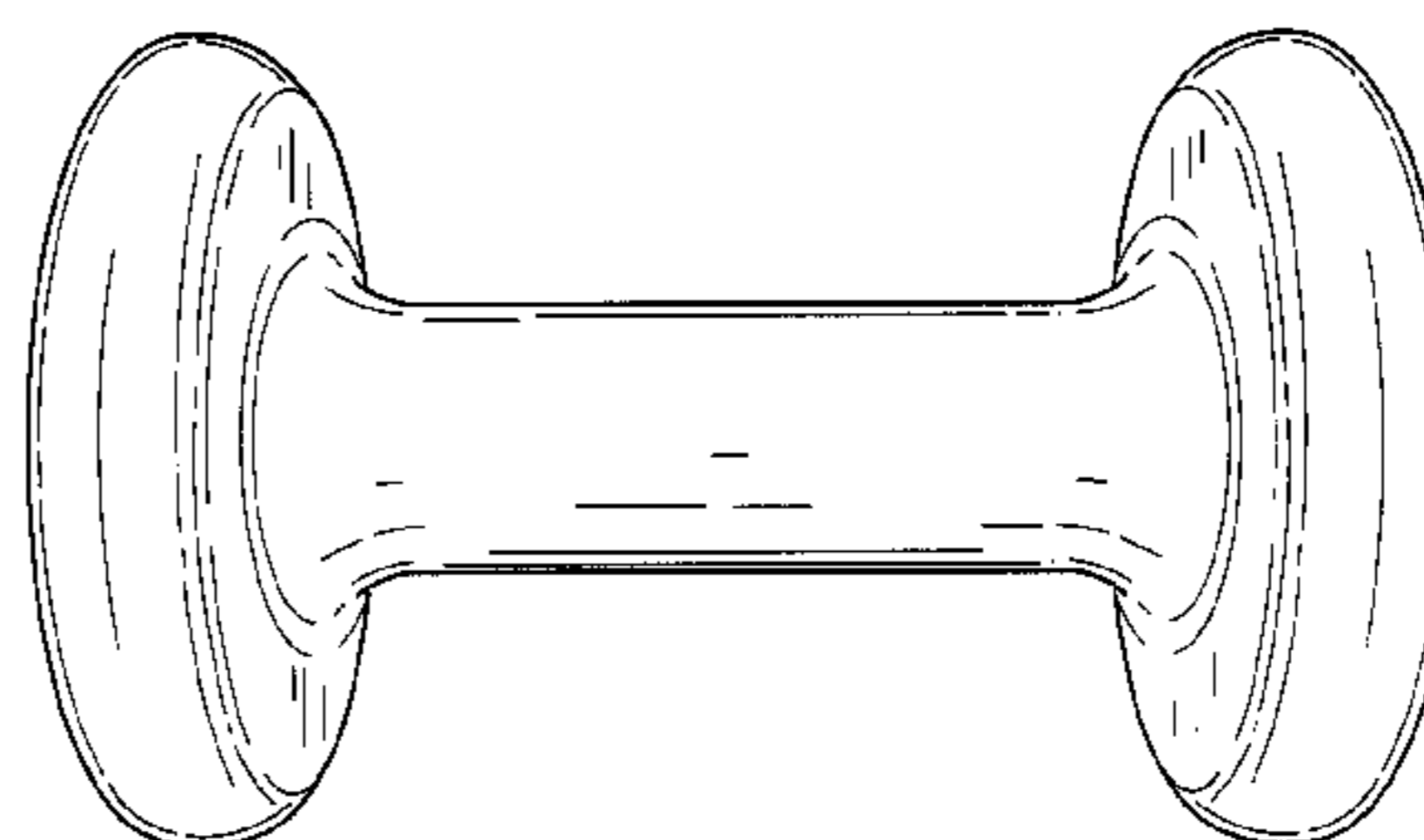
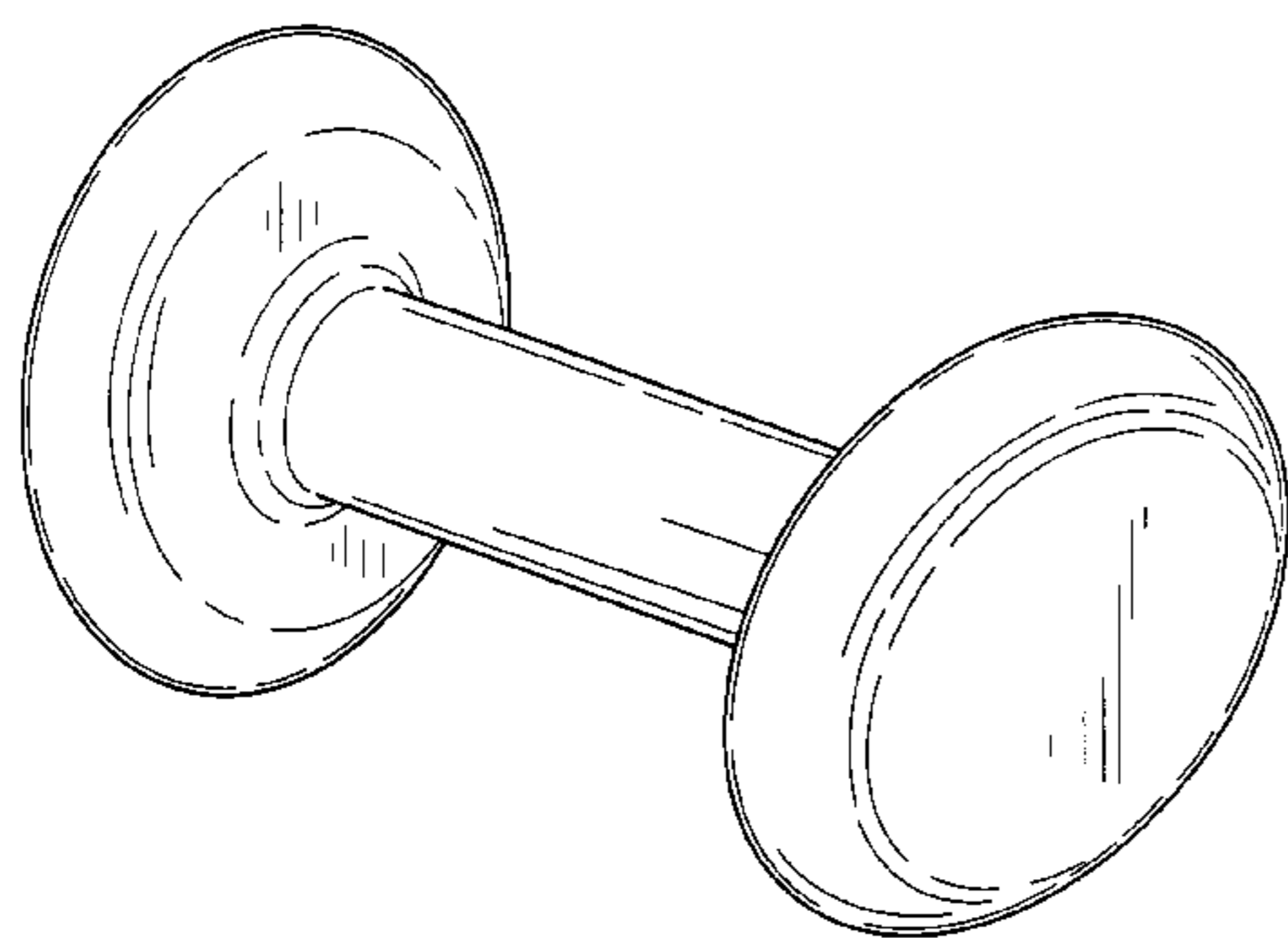
(57) **CLAIM**

The ornamental design for a pet toy, as shown and described.

DESCRIPTION

FIG. 1 is a perspective view of the pet toy;
 FIG. 2 is a front elevational view of the pet toy;
 FIG. 3 is a rear elevational view of the pet toy;
 FIG. 4 is an elevational view of one side of the pet toy;
 FIG. 5 is an elevational view of another side of the pet toy;
 FIG. 6 is a top plan view of the pet toy;
 FIG. 7 is a bottom view of the pet toy;
 FIG. 8 is a perspective view of a second embodiment of FIG. 1;
 FIG. 9 is a front elevational view of FIG. 8;
 FIG. 10 is a rear elevational view of FIG. 8;
 FIG. 11 is an elevational view of one side of FIG. 8;
 FIG. 12 is an elevational view of another side of FIG. 8;
 FIG. 13 is a top plan view of FIG. 8; and,
 FIG. 14 is a bottom view of FIG. 8.

1 Claim, 8 Drawing Sheets



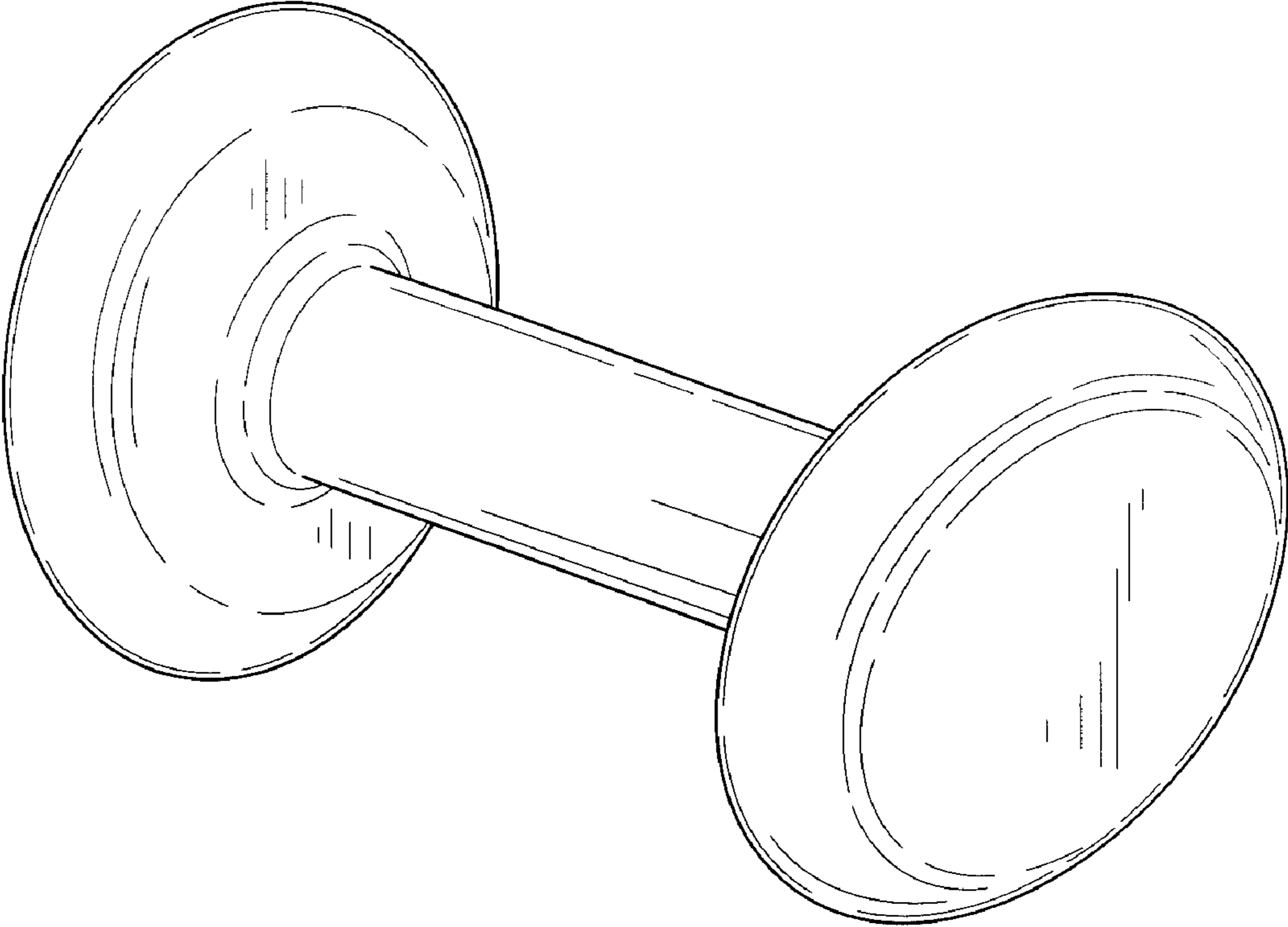


FIG.1

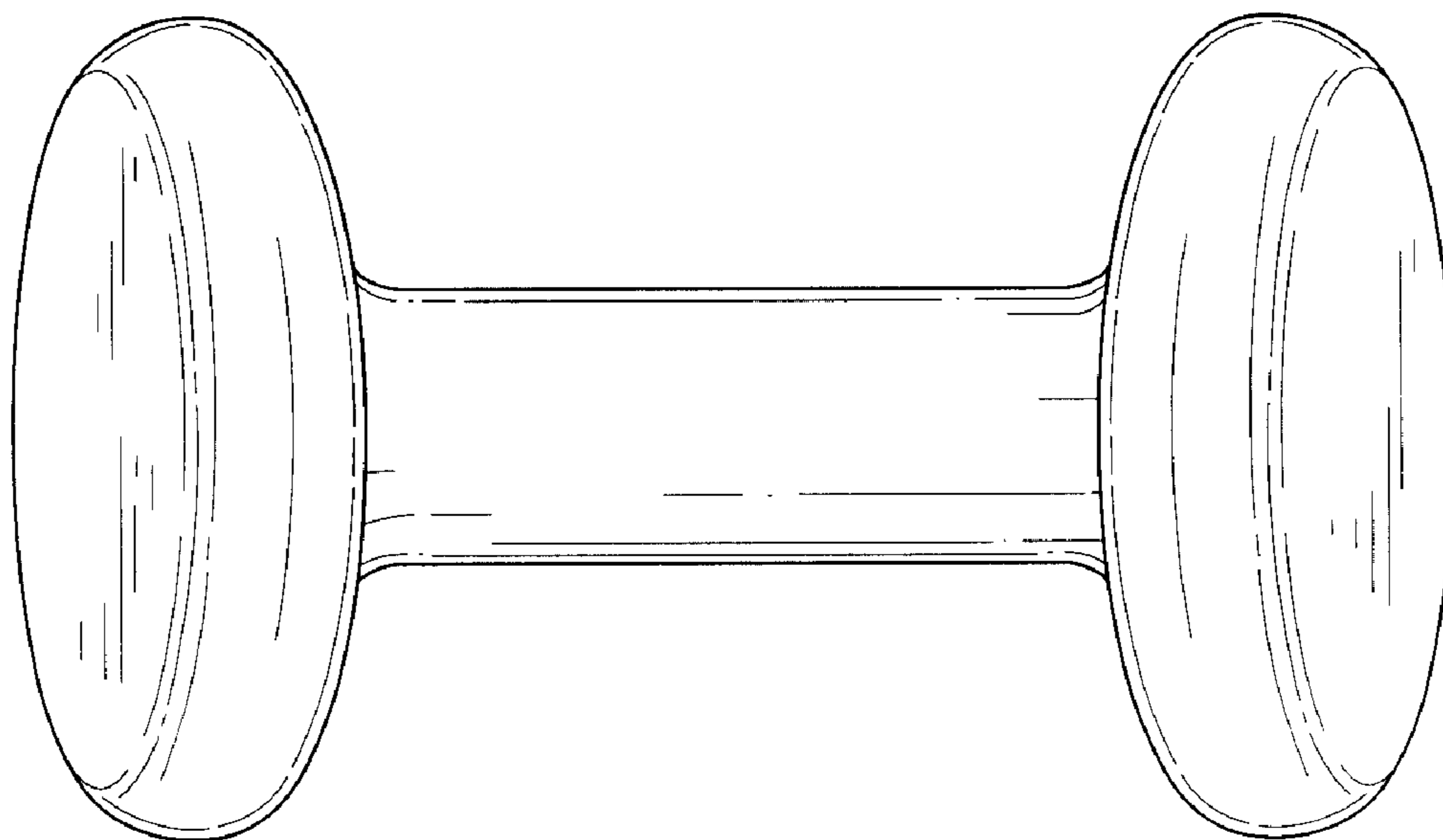


FIG. 2

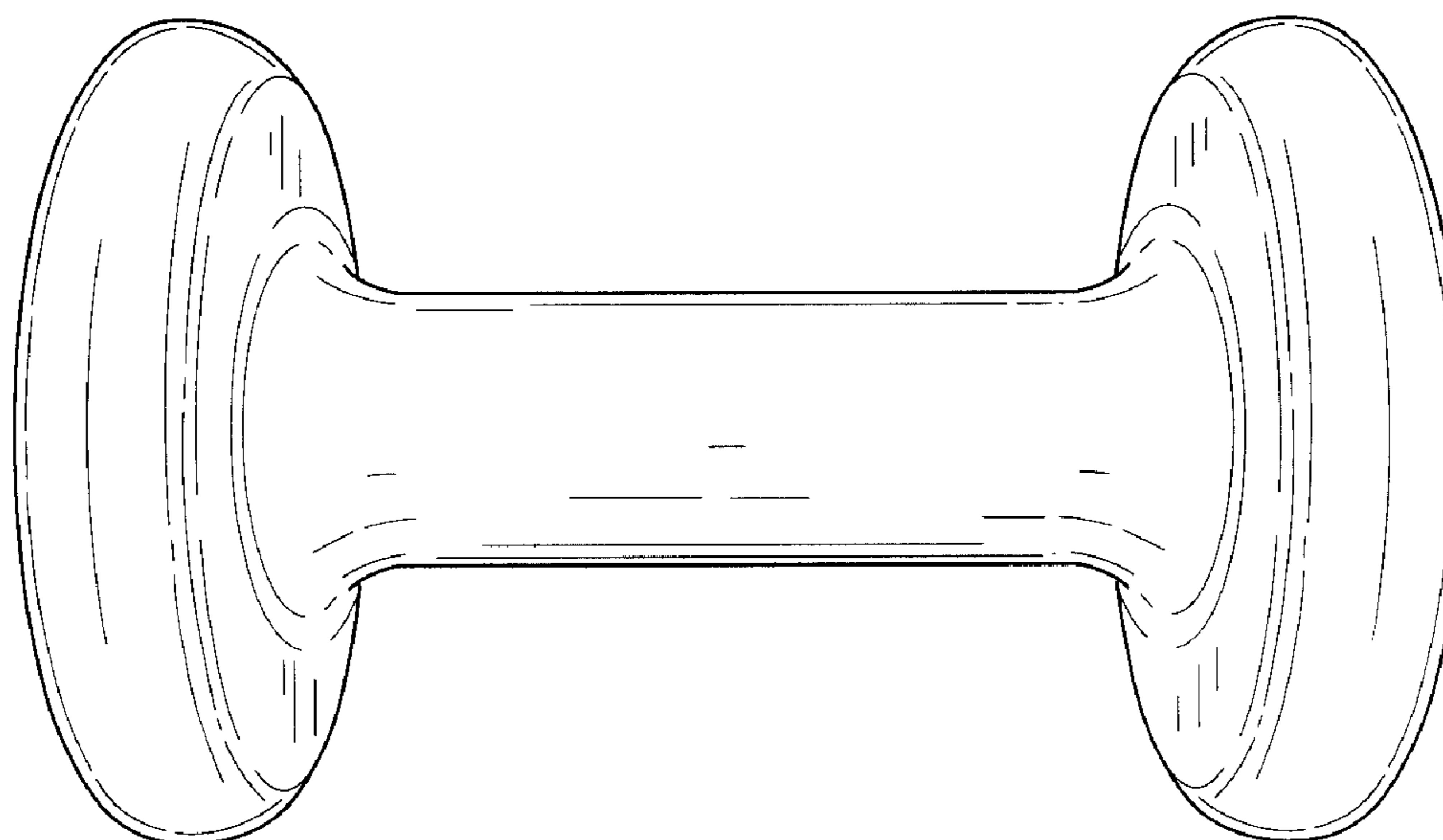


FIG. 3

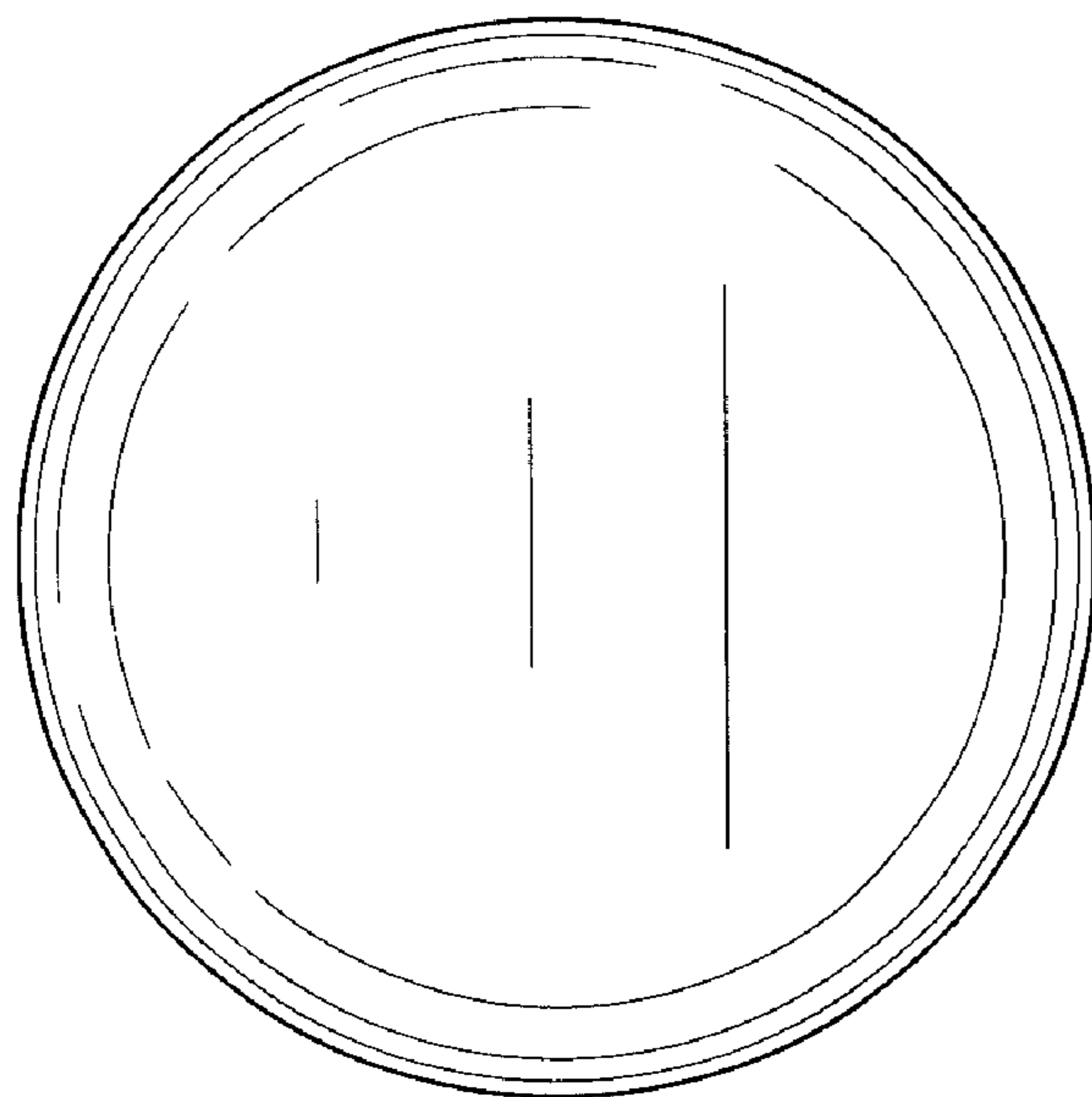


FIG.4

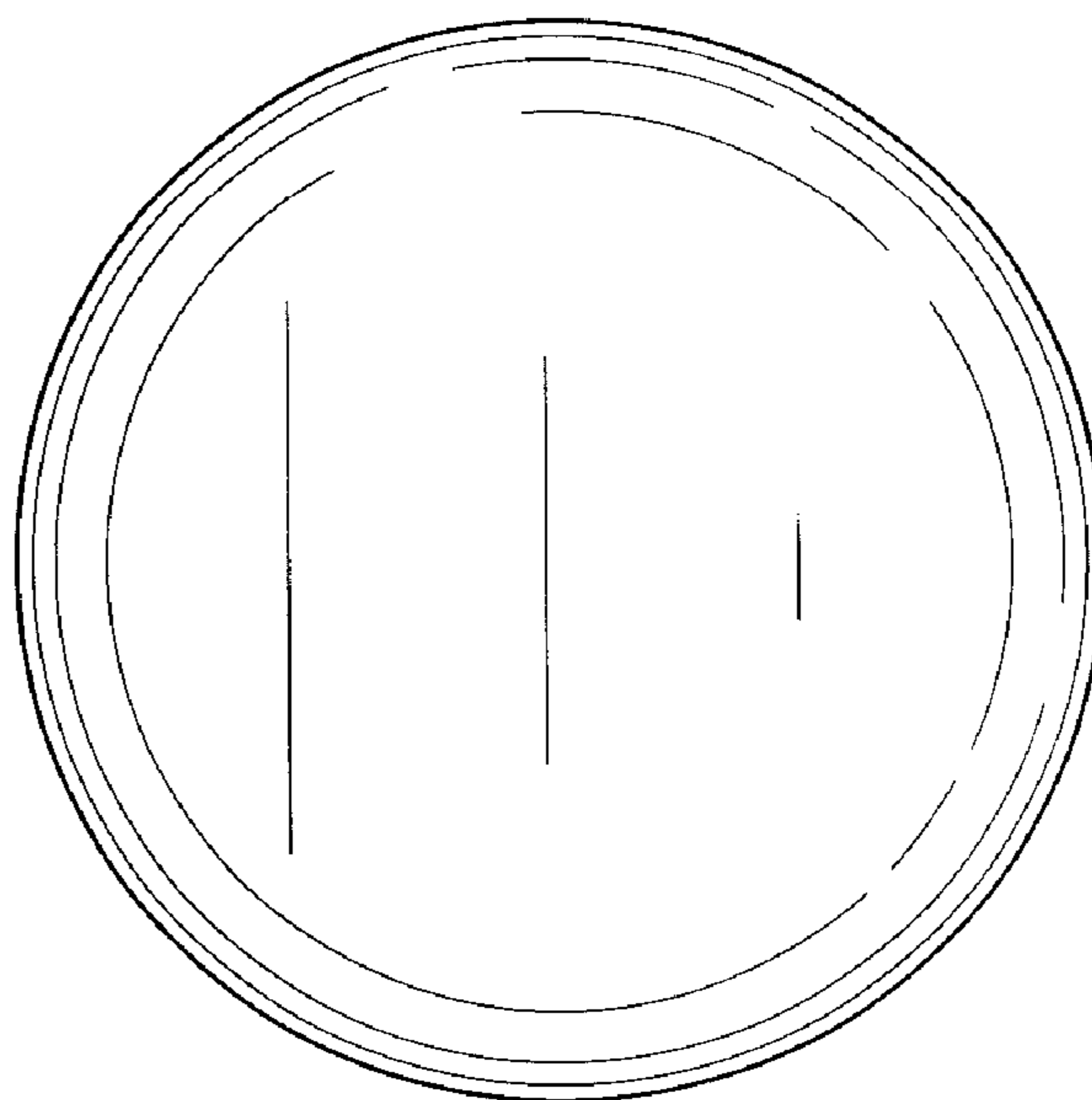


FIG.5

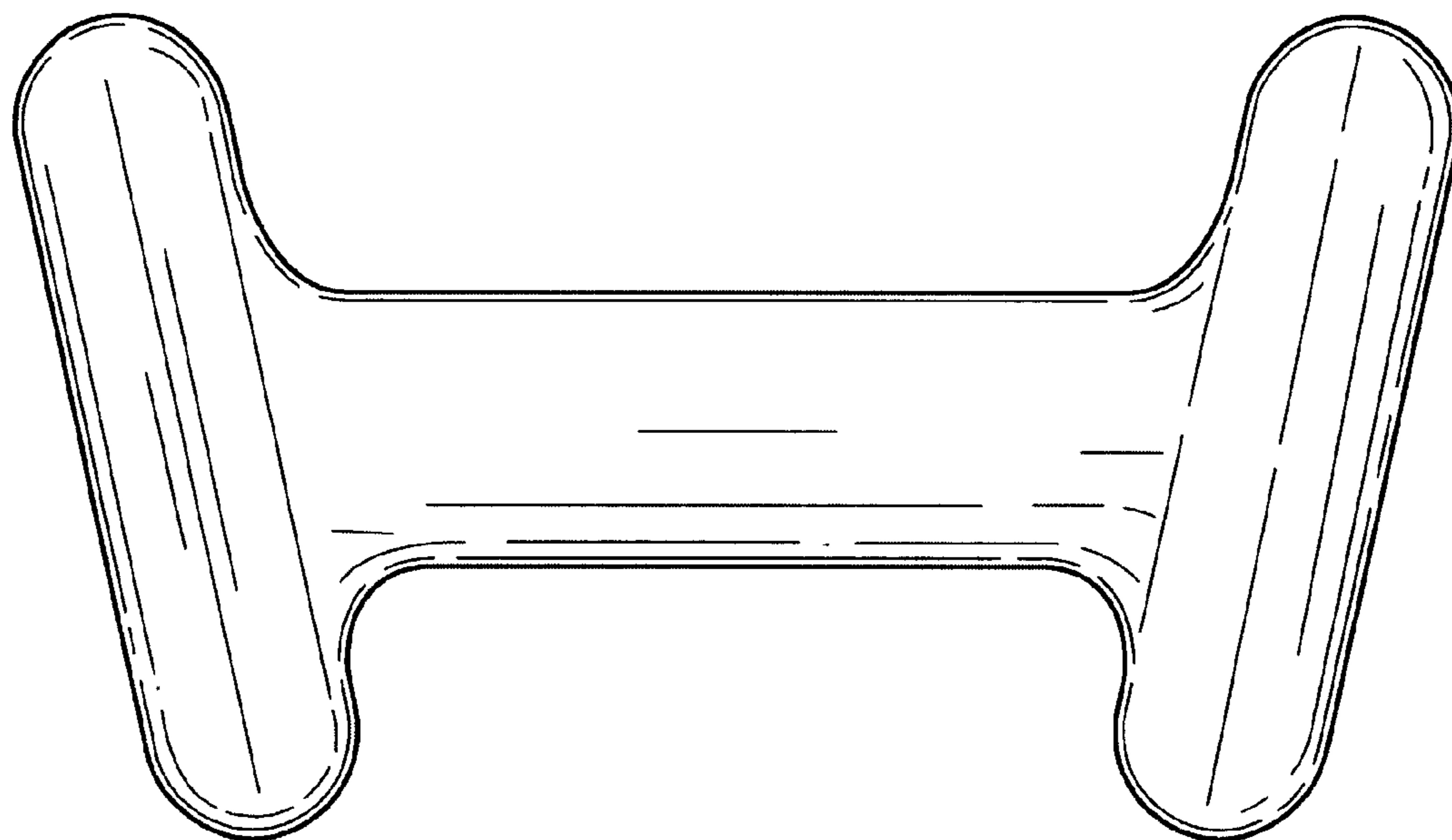


FIG. 6

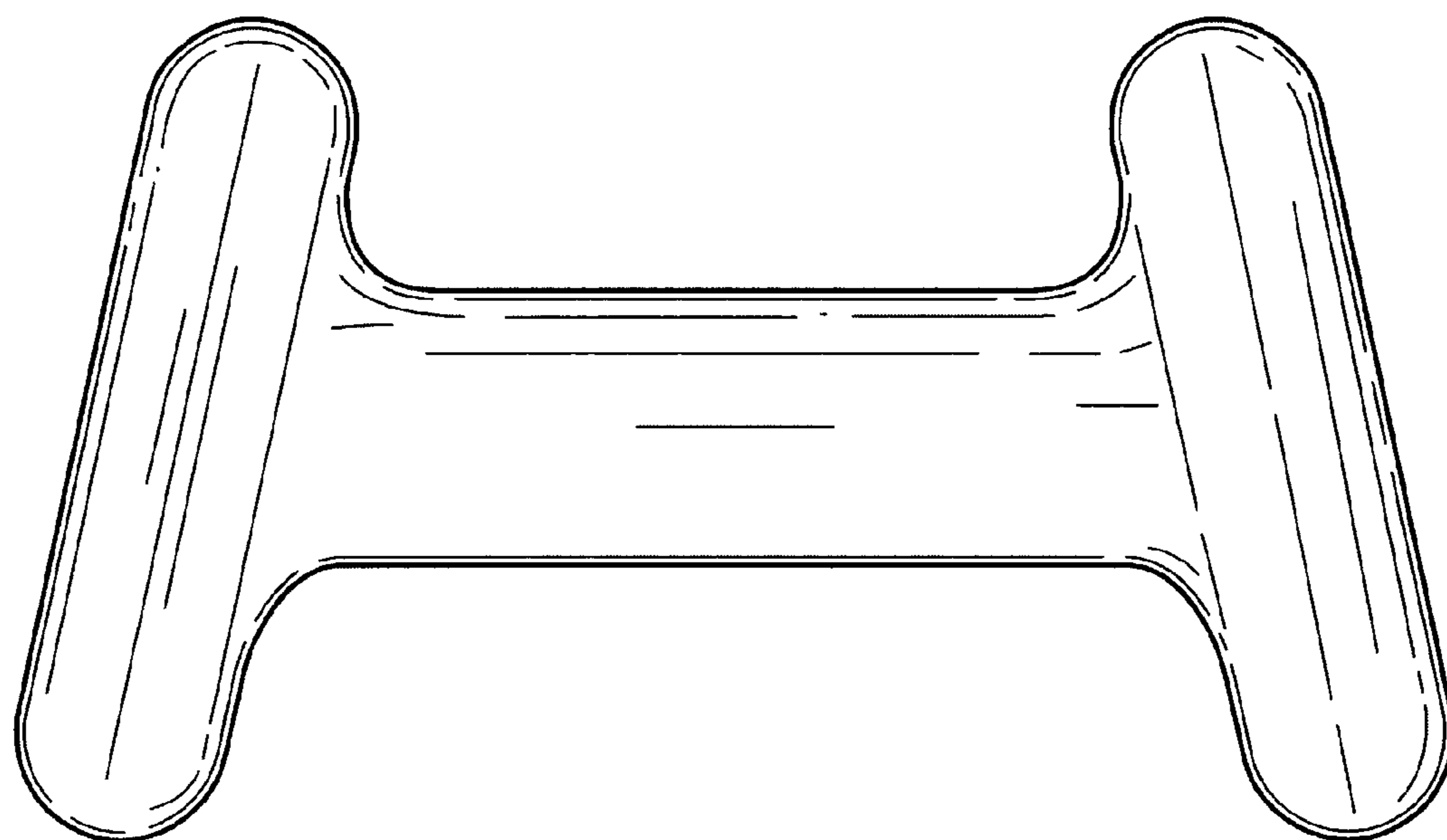


FIG. 7

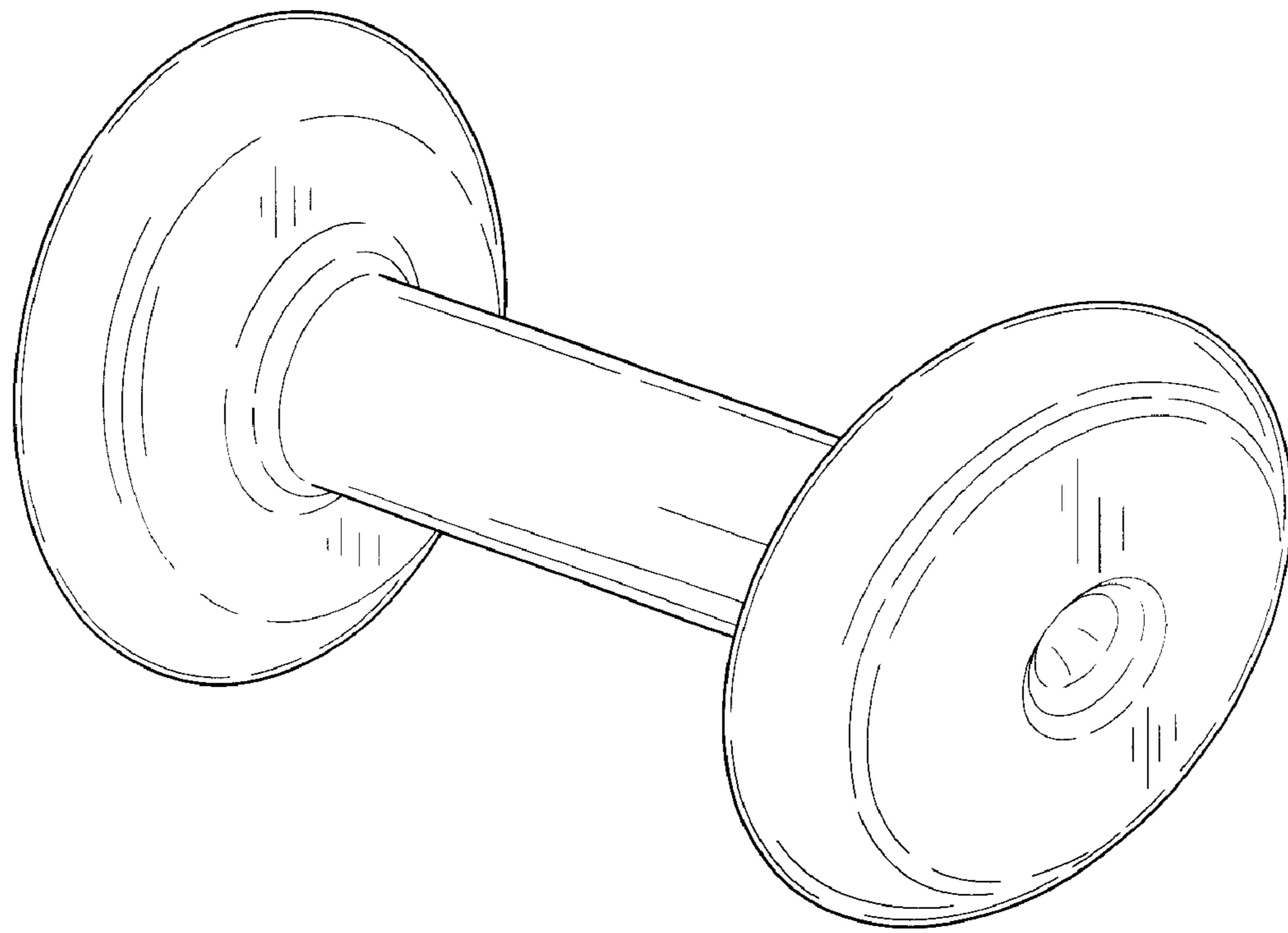


FIG.8

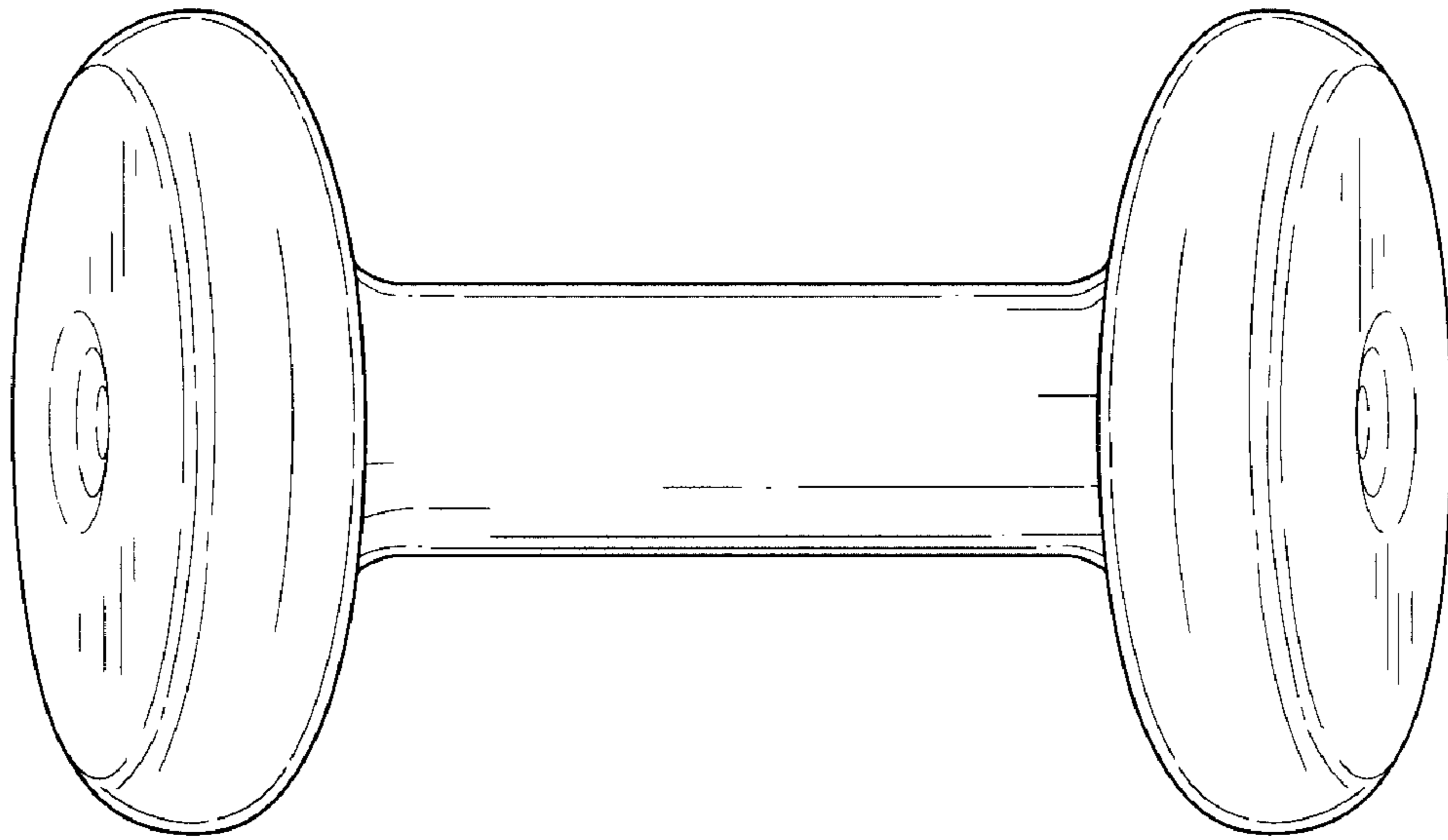


FIG. 9

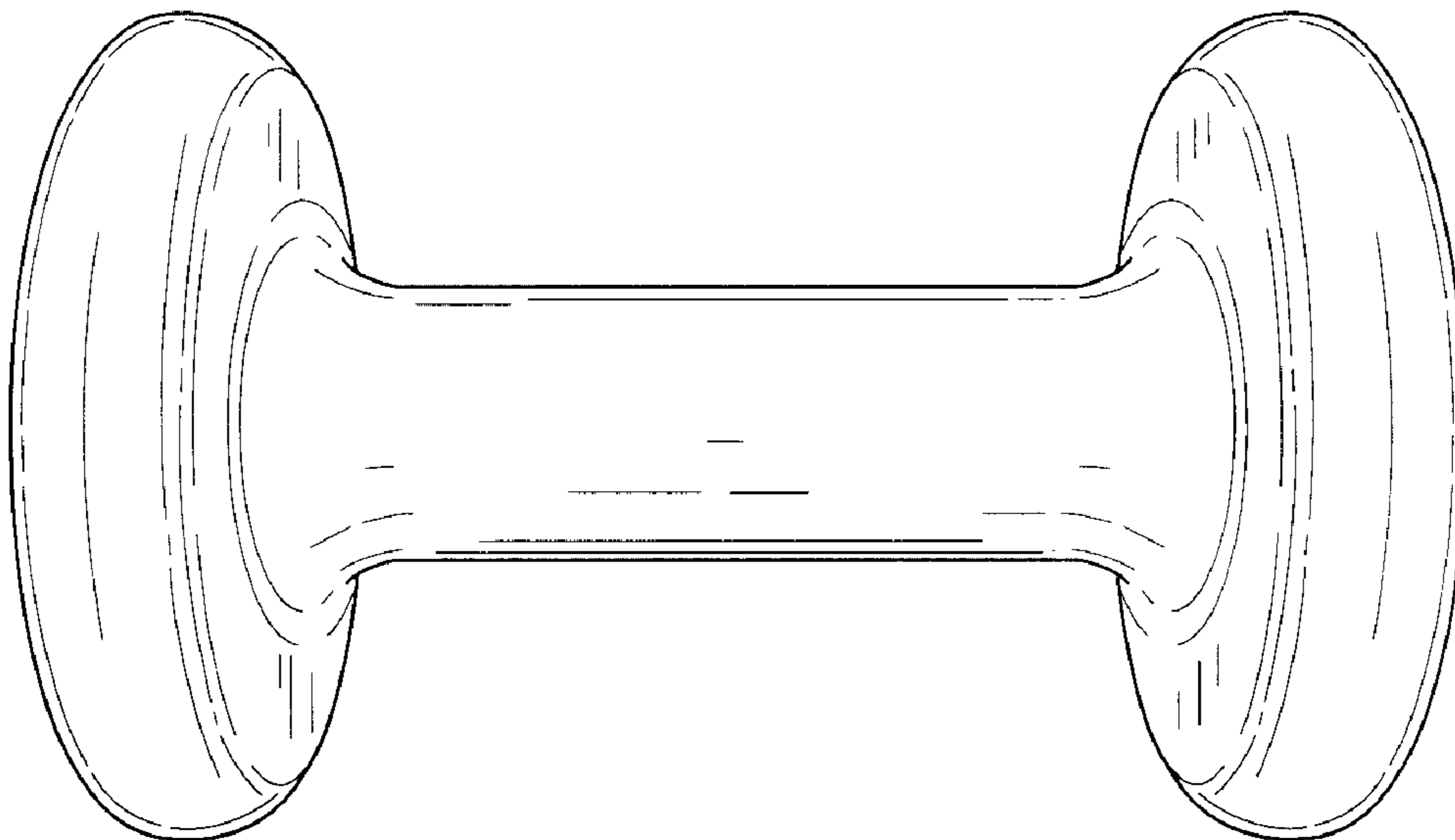


FIG. 10

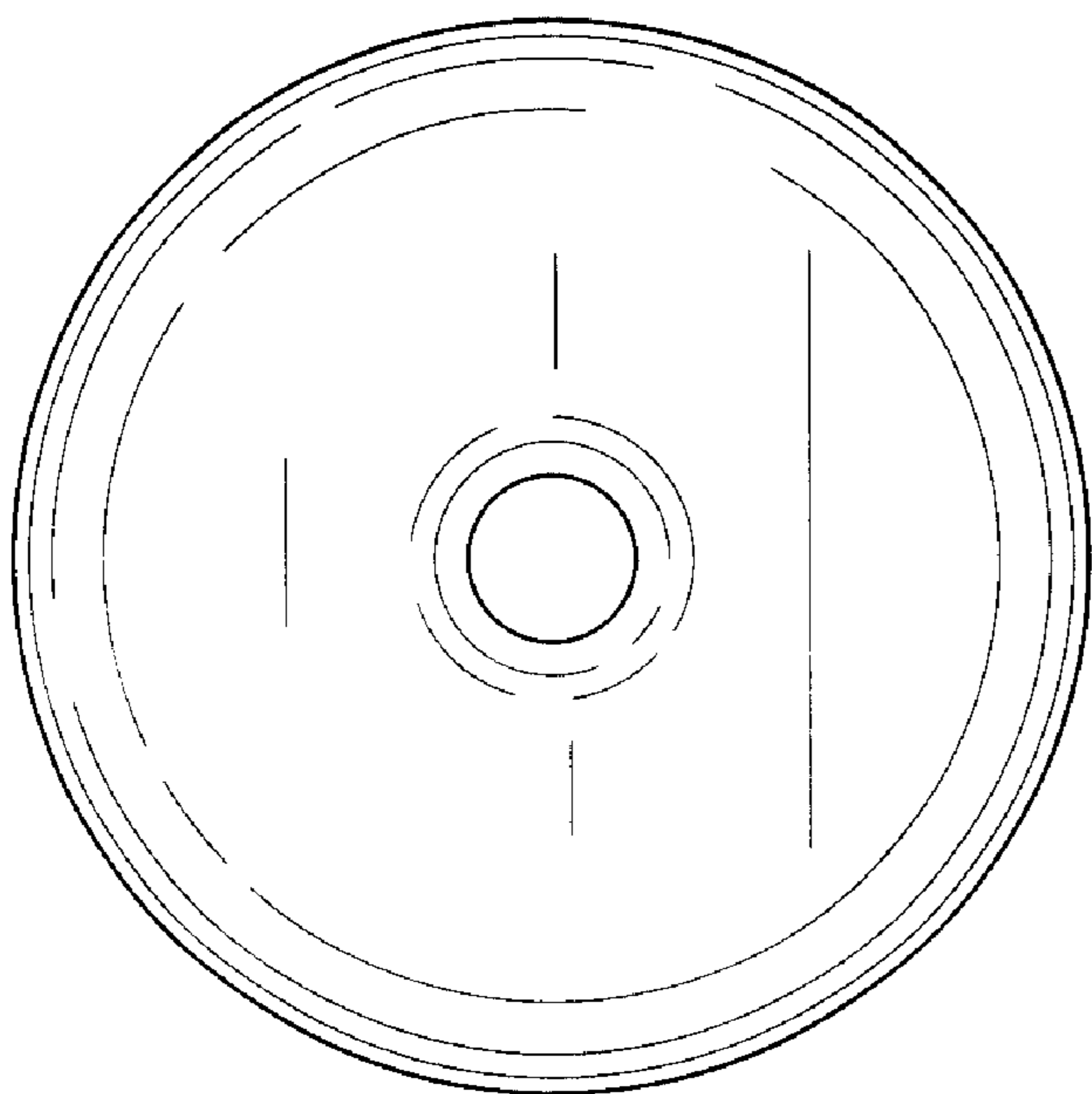


FIG.11

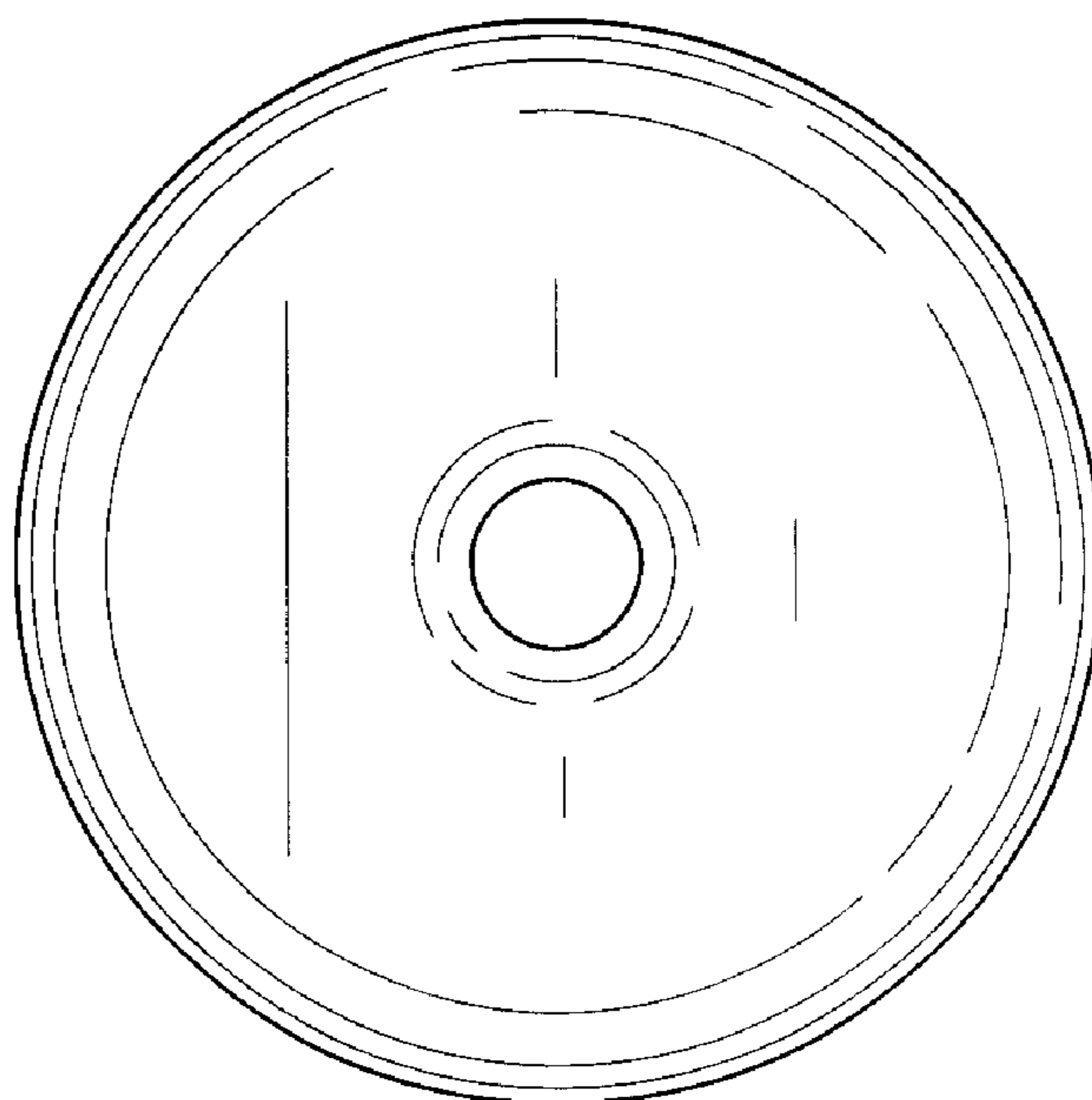


FIG.12

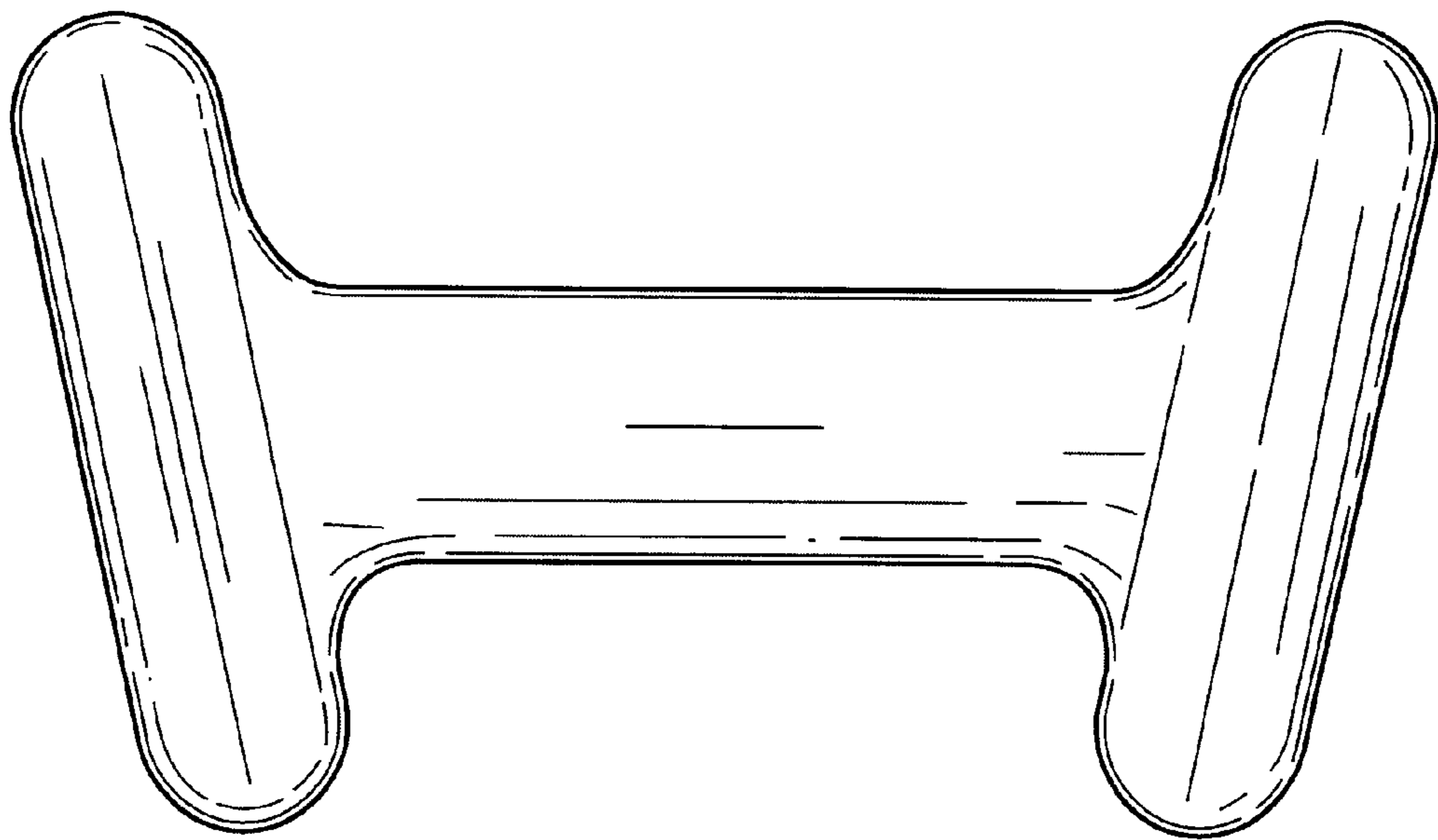


FIG.13

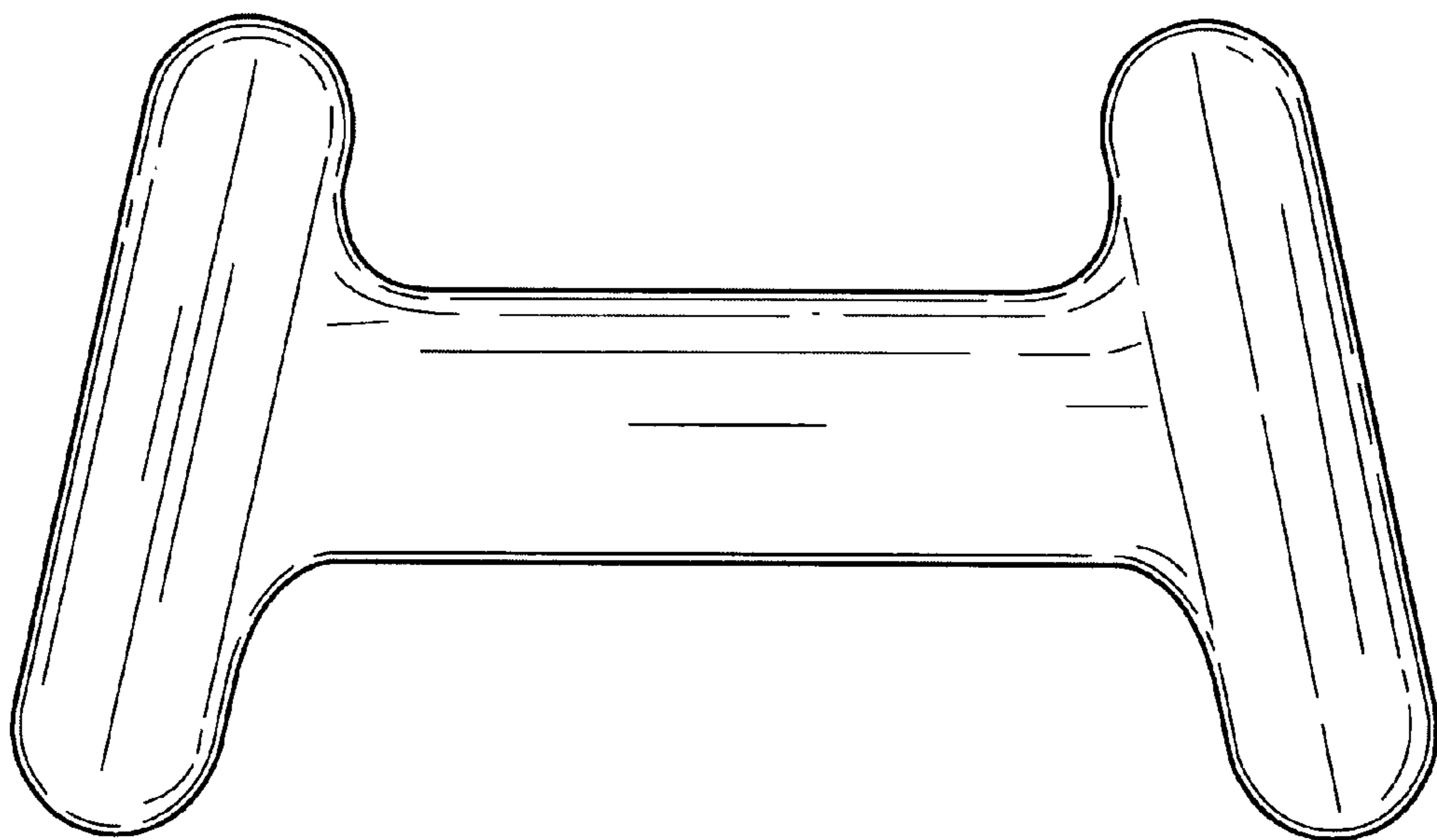


FIG.14