



US00D525388S

(12) **United States Design Patent**  
**Golden et al.**

(10) **Patent No.:** **US D525,388 S**  
(45) **Date of Patent:** **\*\* Jul. 18, 2006**

(54) **AUTOMOBILE HEADLIGHT LENS**

(75) Inventors: **Edward Golden**, Pinckney, MI (US);  
**Philip Simmons**, Walden (GB); **Darrell Behmer**, Novi, MI (US); **Rob Laster**, Wixom, MI (US); **Stuart Jamieson**, Chelsea, MI (US); **Hak Soo Ha**, Northville, MI (US)

(73) Assignee: **Ford Global Technologies, LLC**, Dearborn, MI (US)

(\*\*) Term: **14 Years**

(21) Appl. No.: **29/238,758**

(22) Filed: **Sep. 21, 2005**

(51) **LOC (8) Cl.** ..... **26-99**

(52) **U.S. Cl.** ..... **D26/139**

(58) **Field of Classification Search** ..... D26/28-36,  
D26/139; 362/61, 80, 81, 83.4, 267, 269,  
362/275, 330-340

See application file for complete search history.

(56) **References Cited**

**U.S. PATENT DOCUMENTS**

D316,460 S \* 4/1991 Neece ..... D26/139  
D396,311 S \* 7/1998 Sacco et al. .... D26/28  
D425,240 S \* 5/2000 Goeckeritz ..... D26/139

**OTHER PUBLICATIONS**

The Auto Channel, *Mercury Showroom Transformation Continues With All-New 2006 Milan Sedan*, Aug. 26, 2004 <http://www.theautochannel.com/news/2004/08/26/213748.html>.

AutoWeek Online, *Mercury unveils sketch of new Milan, sedan to debut at '05 Detroit show*, Aug. 27, 2004 <http://www.autoweek.com/news.cms?newsid=100705>.

(Continued)

Primary Examiner—Marcus A. Jackson

(74) Attorney, Agent, or Firm—Damian Porcari

(57) **CLAIM**

The ornamental design for an automobile headlight lens, as shown and described.

**DESCRIPTION**

FIG. 1 is a frontal perspective view of a left automobile headlight lens attached to a vehicle, no part of the vehicle is claimed;

FIG. 2 is a perspective view of the left automobile headlight lens;

FIG. 3 is a front elevational view of the left automobile headlight lens;

FIG. 4 is a right side elevational view of the left automobile headlight lens;

FIG. 5 is a left side elevational view of the left automobile headlight lens;

FIG. 6 is a bottom plan view of the left automobile headlight lens;

FIG. 7 is a top plan view of the left automobile headlight lens;

FIG. 8 is a frontal perspective view of an alternative embodiment of the automobile headlight lens illustrated in FIGS. 1-7, showing a right automobile headlight lens attached to a vehicle, no part of the vehicle is claimed;

FIG. 9 is a perspective view of the right automobile headlight lens;

FIG. 10 is a front elevational view of the right automobile headlight lens;

FIG. 11 is a left side elevational view of the right automobile headlight lens;

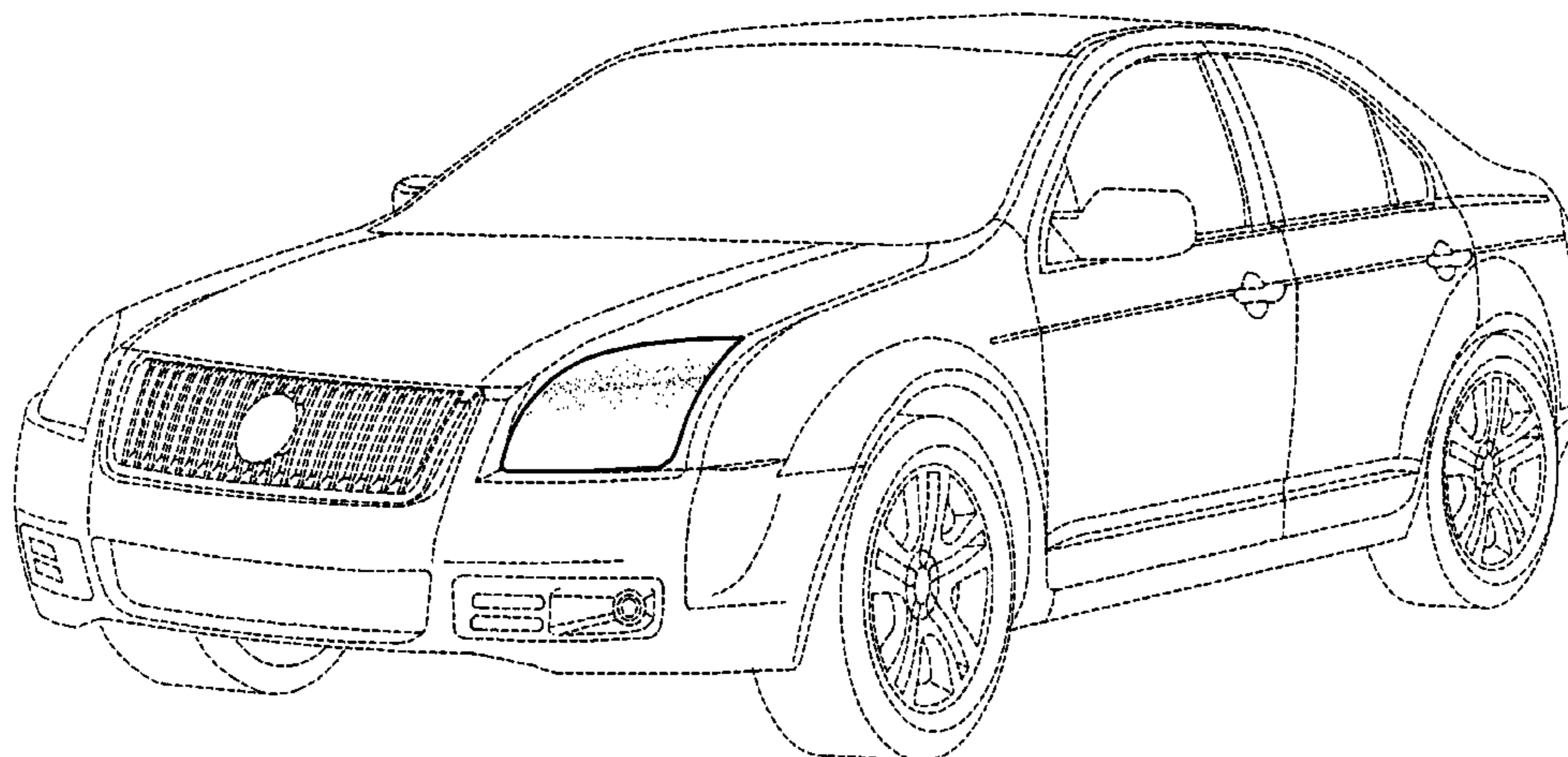
FIG. 12 is a right side elevational view of the right automobile headlight lens;

FIG. 13 is a bottom plan view of the right automobile headlight lens; and,

FIG. 14 is a top plan view of the right automobile headlight lens.

The phantom lines are not a part of the claimed invention. The stippling indicates the curvature of the automobile headlight lens.

**1 Claim, 14 Drawing Sheets**



OTHER PUBLICATIONS

Automotive News, *2006 Mercury Milan*, p. 8, Oct. 11, 2004.

Automotive News, *Mercury's new sedan*, p. 3, Nov. 1, 2004.

Motor Trend Online, *Future Spied: Mercury Milan, Fusion gets a classy brother*, Nov. 2004 [http://www.motortrend.com/future/spied/112\\_0412\\_future01/](http://www.motortrend.com/future/spied/112_0412_future01/).

Popular Mechanics Online, *Detroit Spy*, sketch released: Aug. 26, 2004, publication date: Jan. 3, 2005 [http://www.popularmechanics.com/automotive/spy\\_reports/1318501.html](http://www.popularmechanics.com/automotive/spy_reports/1318501.html).

Popular Mechanics Online, *Spy Reports: Detroit, Asia And Europe*, Feb. 2005 [http://www.popularmechanics.com/automotive/spy\\_reports/1372741.html](http://www.popularmechanics.com/automotive/spy_reports/1372741.html).

Popular Mechanics, *2007 Mercury Milan*, Feb. 2005.

AmericanCarFans.com, *2006 Mercury Milan*, Feb. 9, 2005

<http://www.americancarfans.com/news.cfm/NewsID/2050209.004/mercury/1.html>.

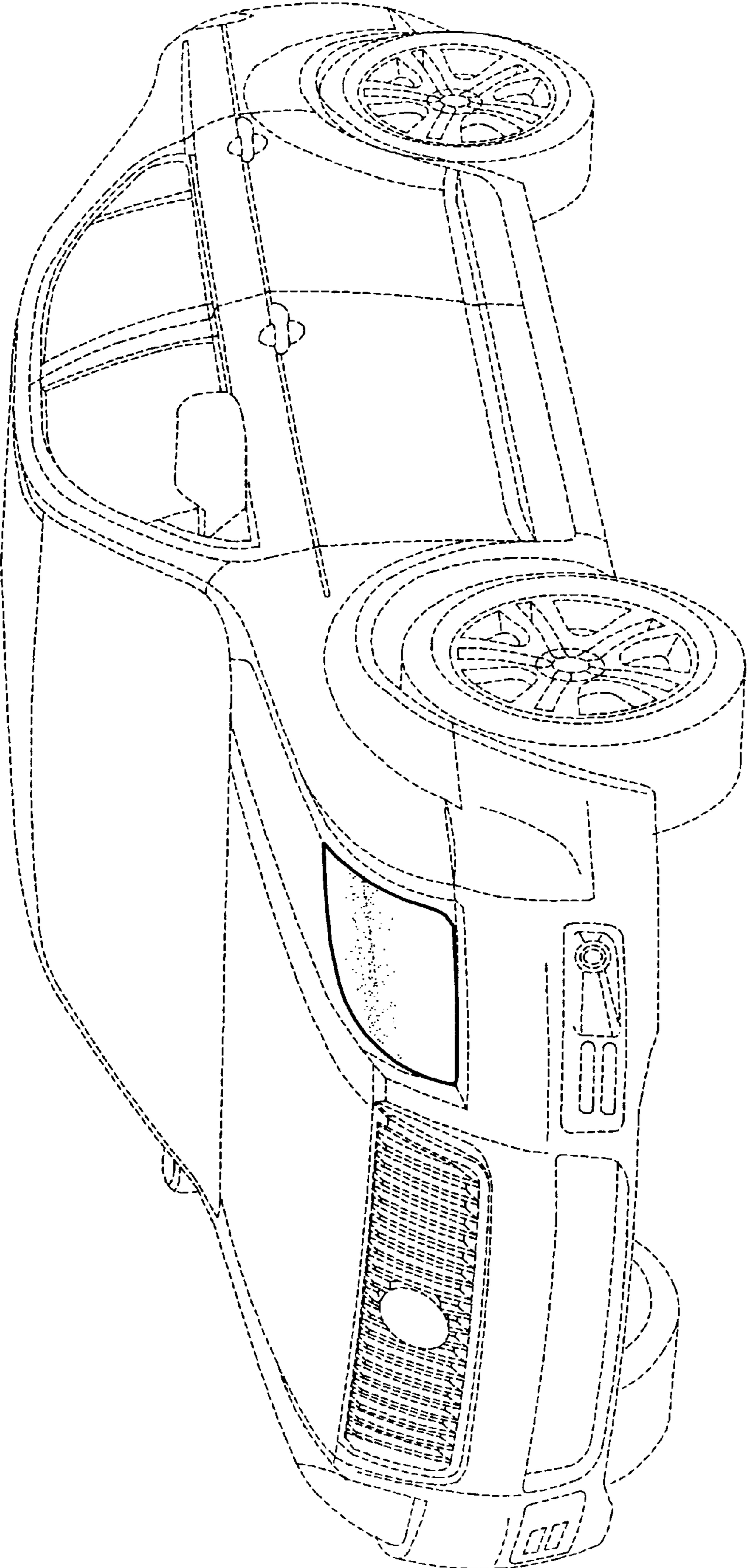
2005 Chicago Auto Show, *Mercury Milan Premier*, Feb. 9, 2005.

The Car Connection, *Future Cars: Ford/PAG/Mazda*, May 16, 2005 [http://www.thecarconnection.com/Shoppers/Future\\_Cars/Ford.S283.A8367.html](http://www.thecarconnection.com/Shoppers/Future_Cars/Ford.S283.A8367.html).

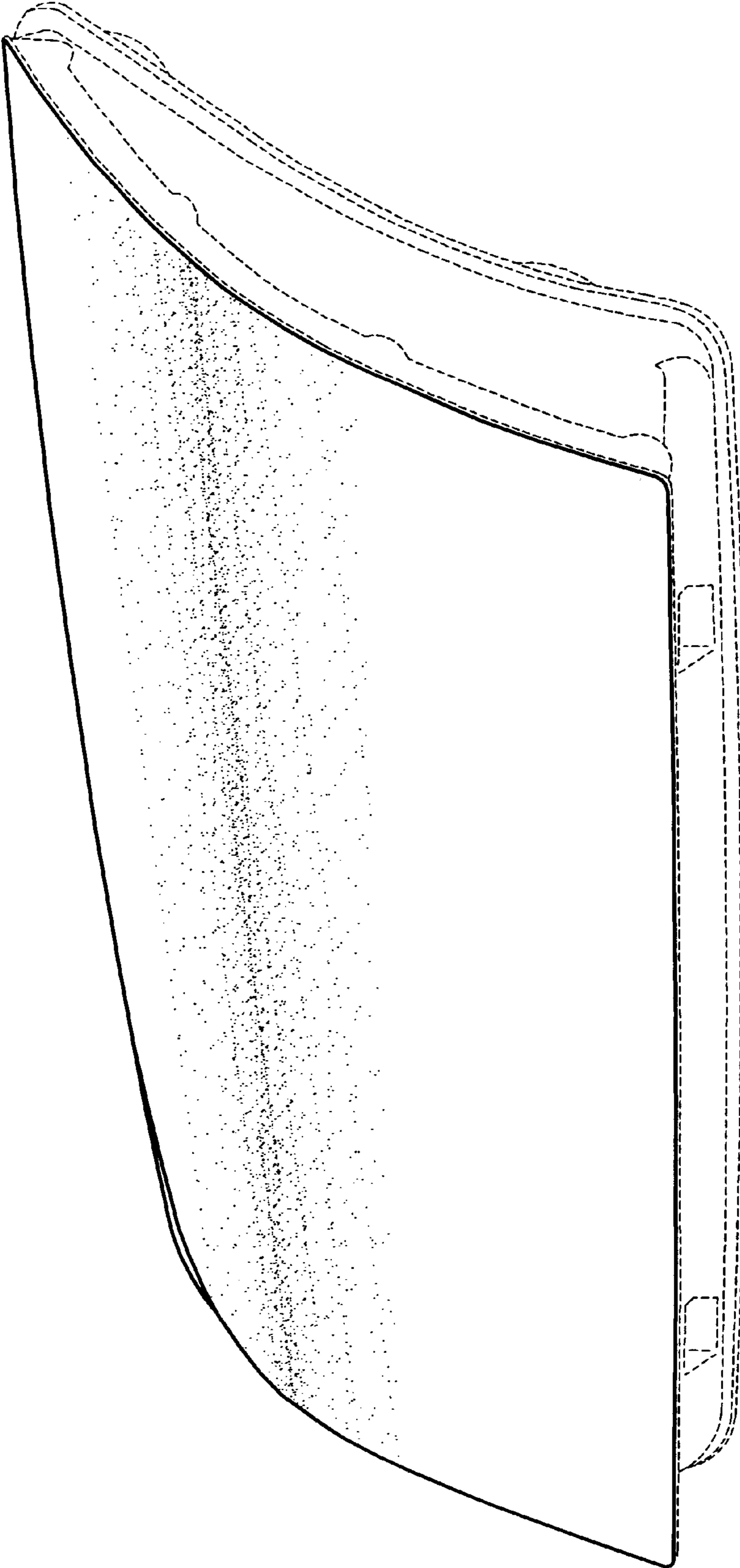
Edmunds.com, *2006 Mercury Milan Midsized Sedan*, publication date unknown <http://www.edmunds.com/future/2006/mercury/milan/100462341/preview.html>.

MotoTrend.com, *2006 Future Vehicle Forecast*, publication date unknown [http://motortrend.com/future/spied/112\\_2006fvf/index17.html](http://motortrend.com/future/spied/112_2006fvf/index17.html).

\* cited by examiner

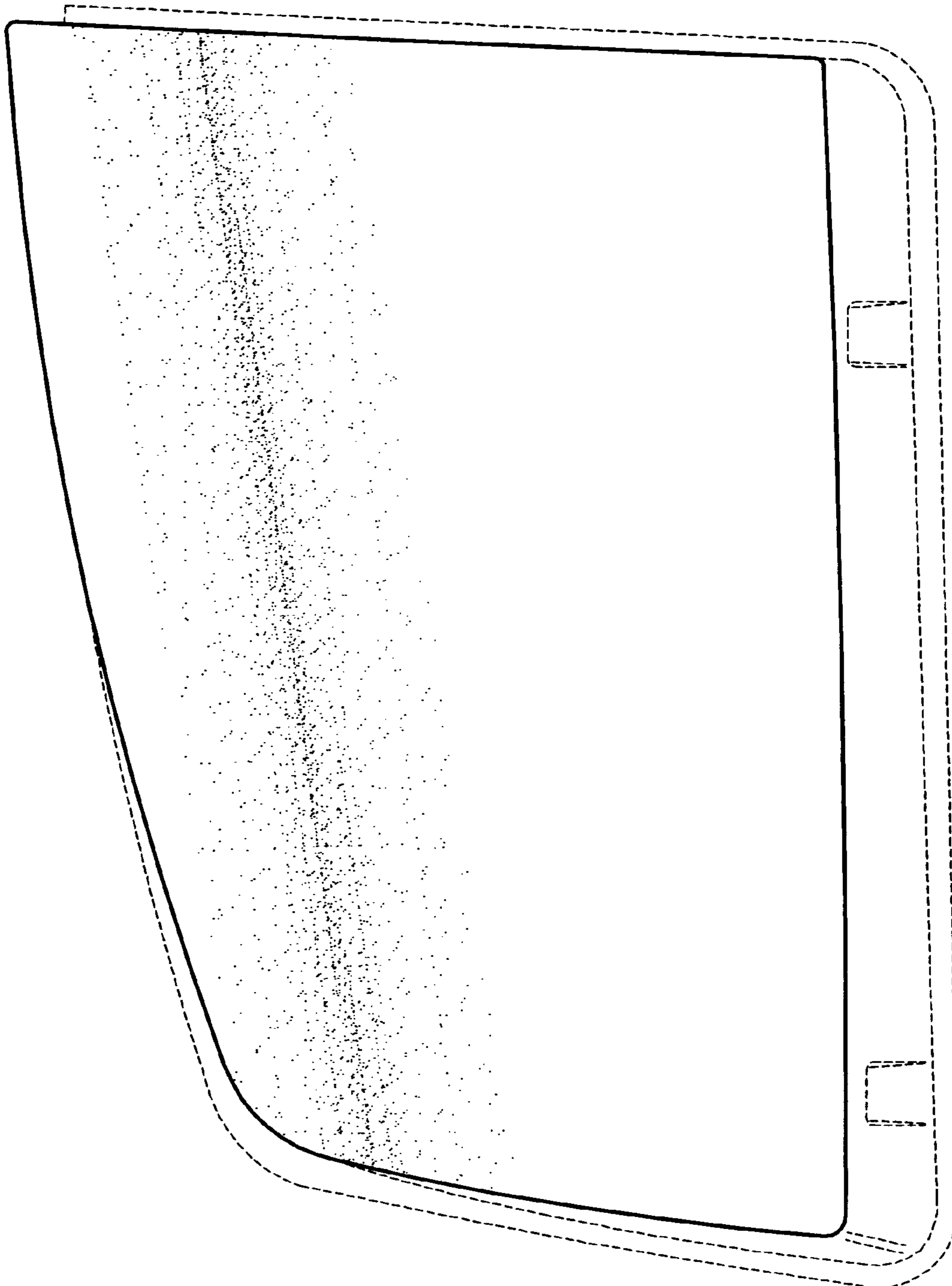


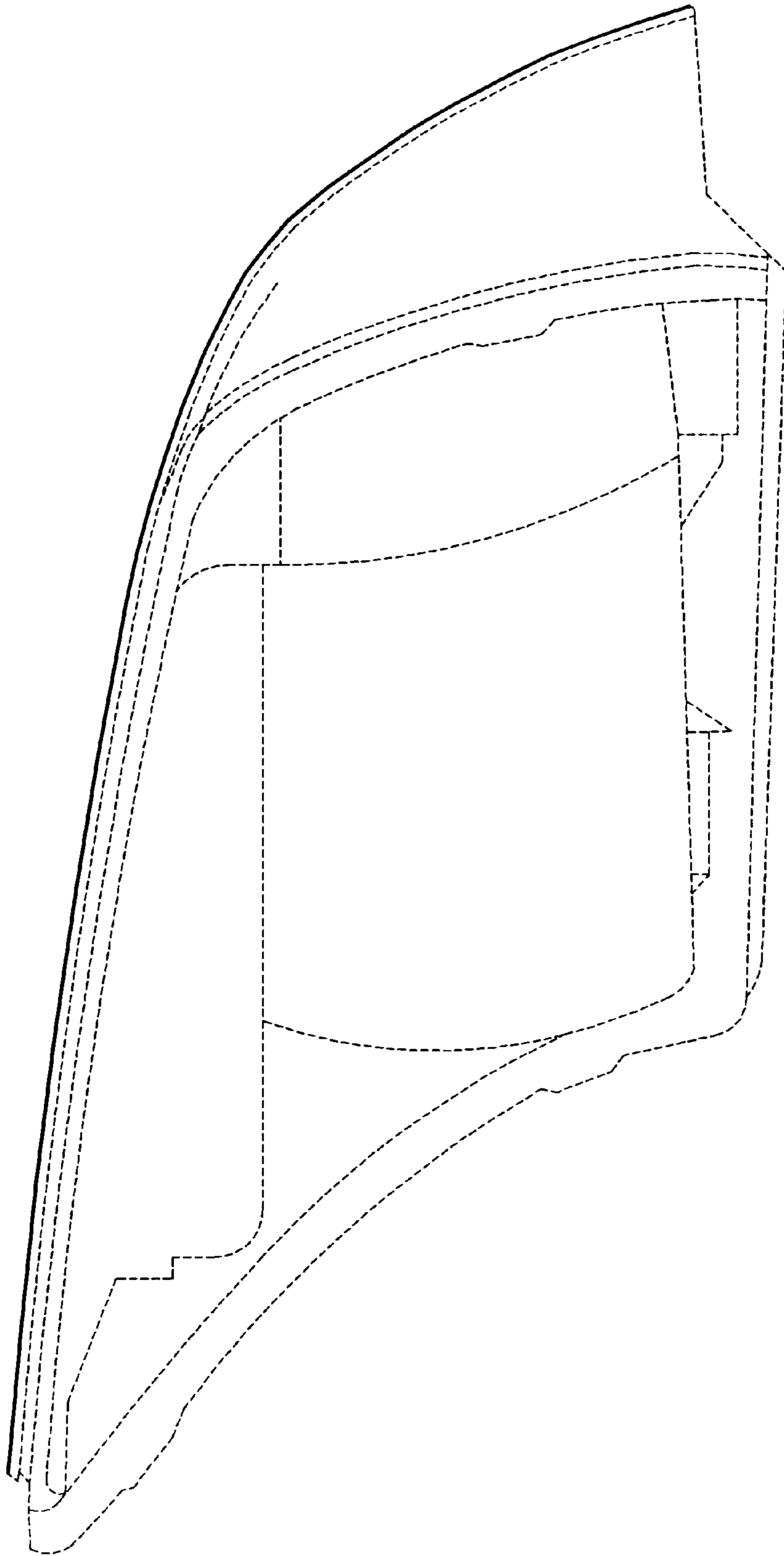
**FIG - 1**



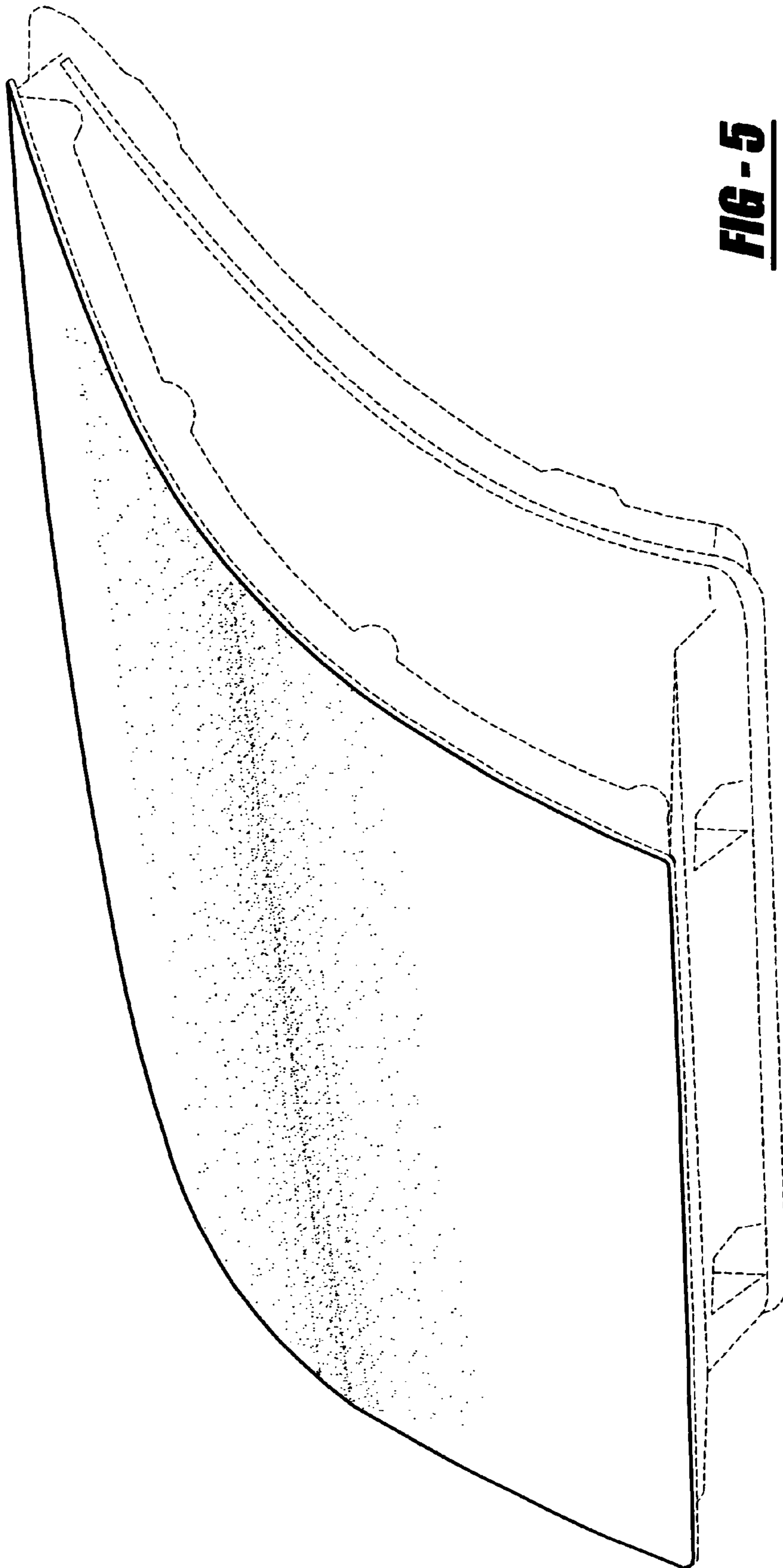
**FIG - 2**

**FIG - 3**

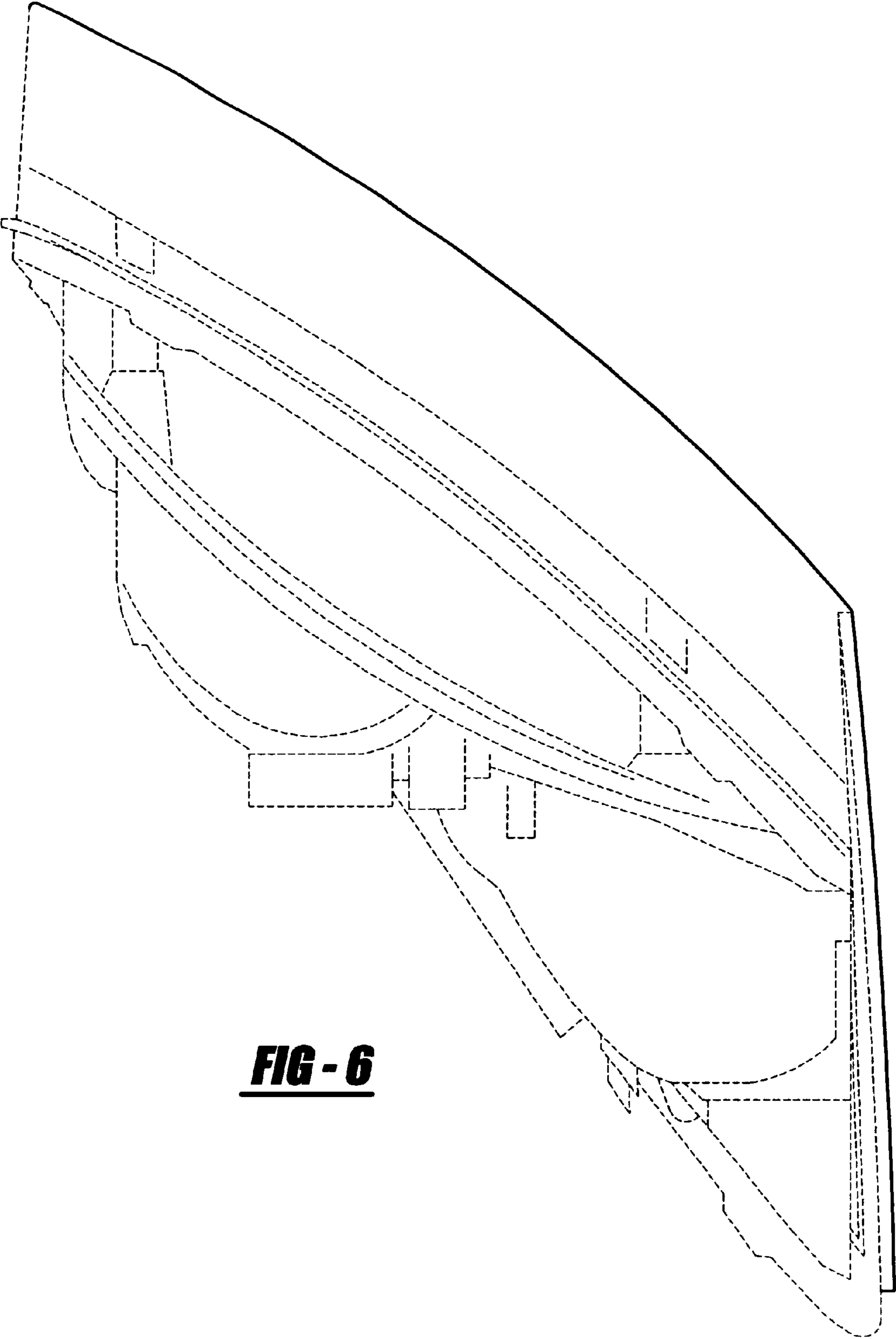




**FIG - 4**

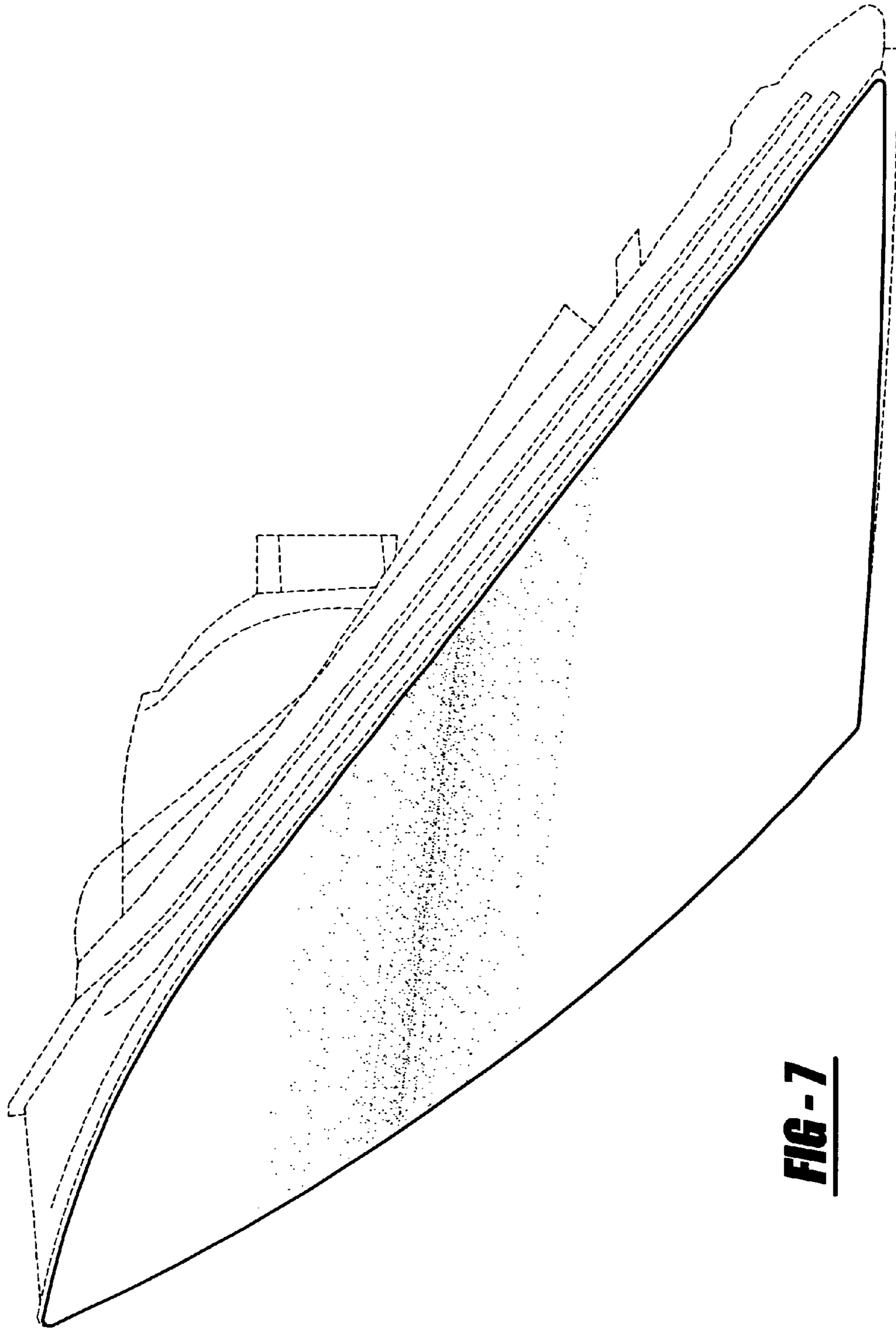


**FIG - 5**

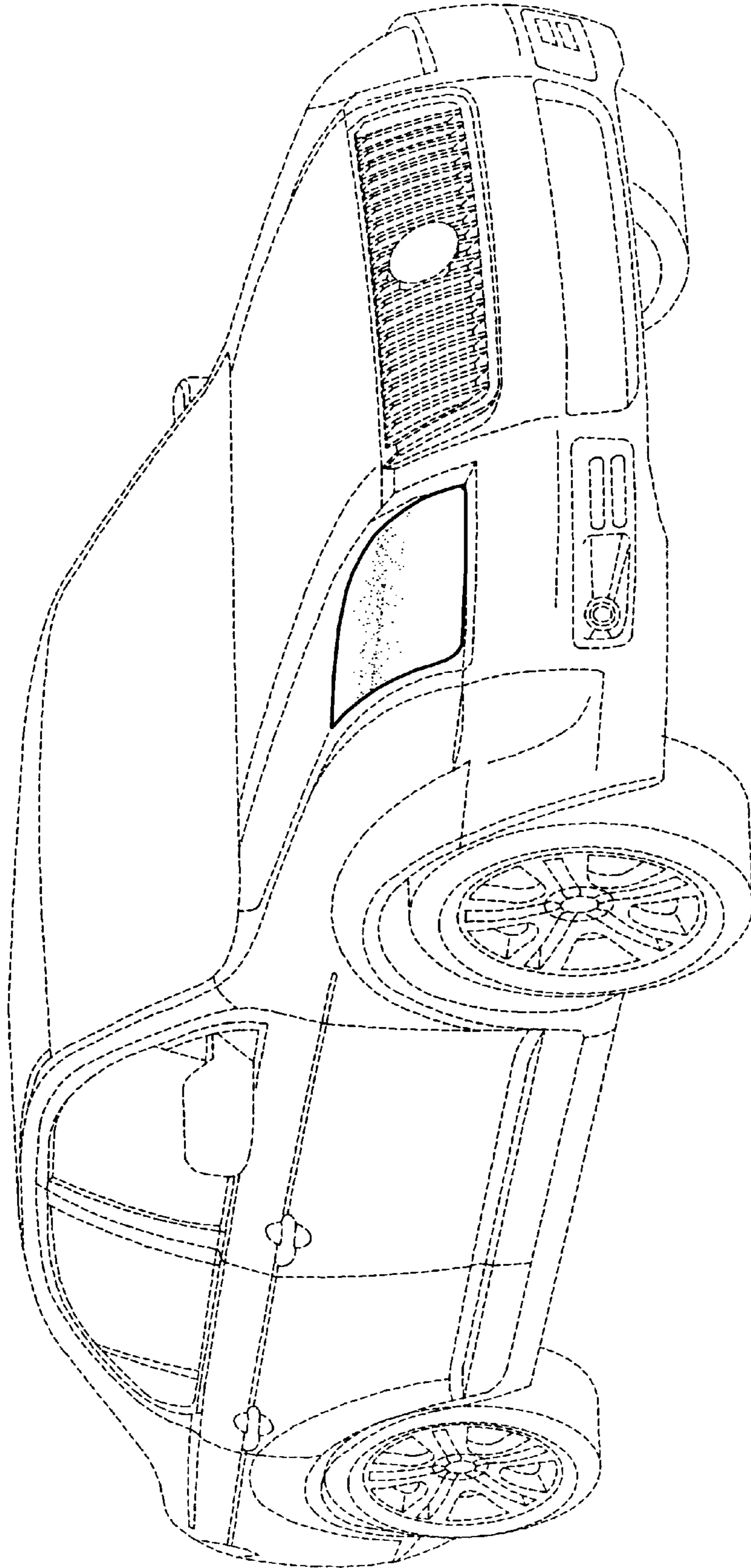


**FIG - 6**

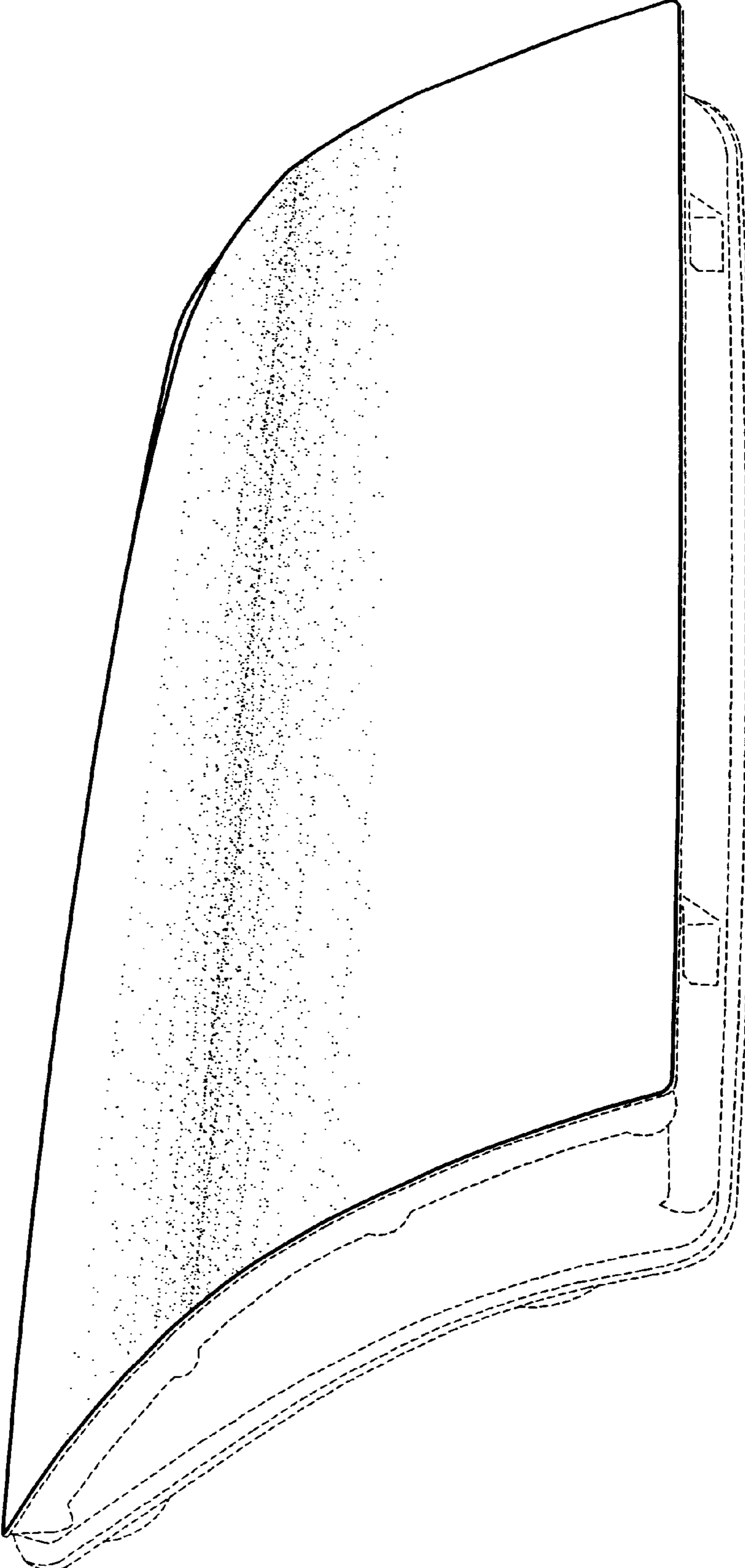




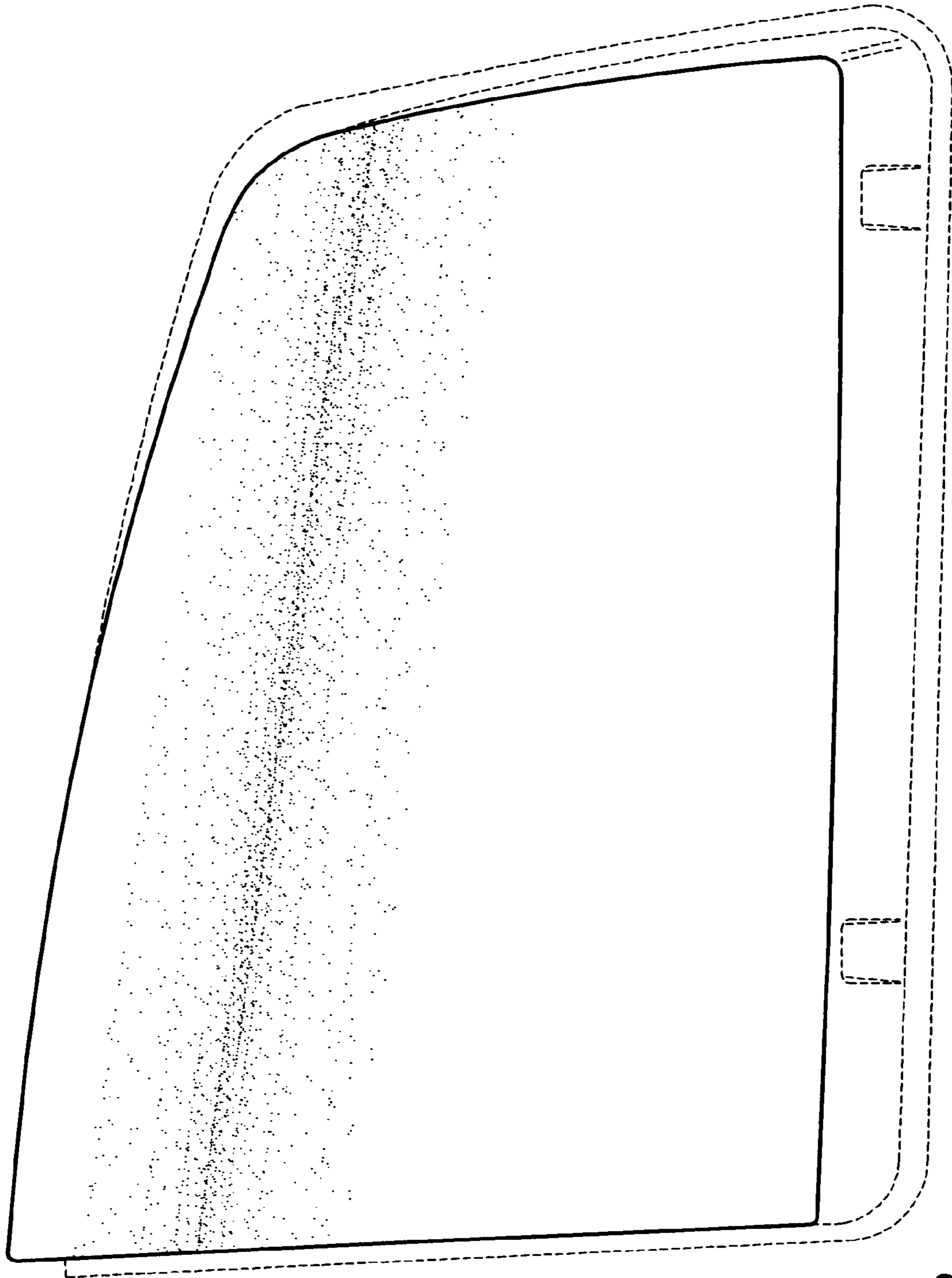
**FIG - 7**



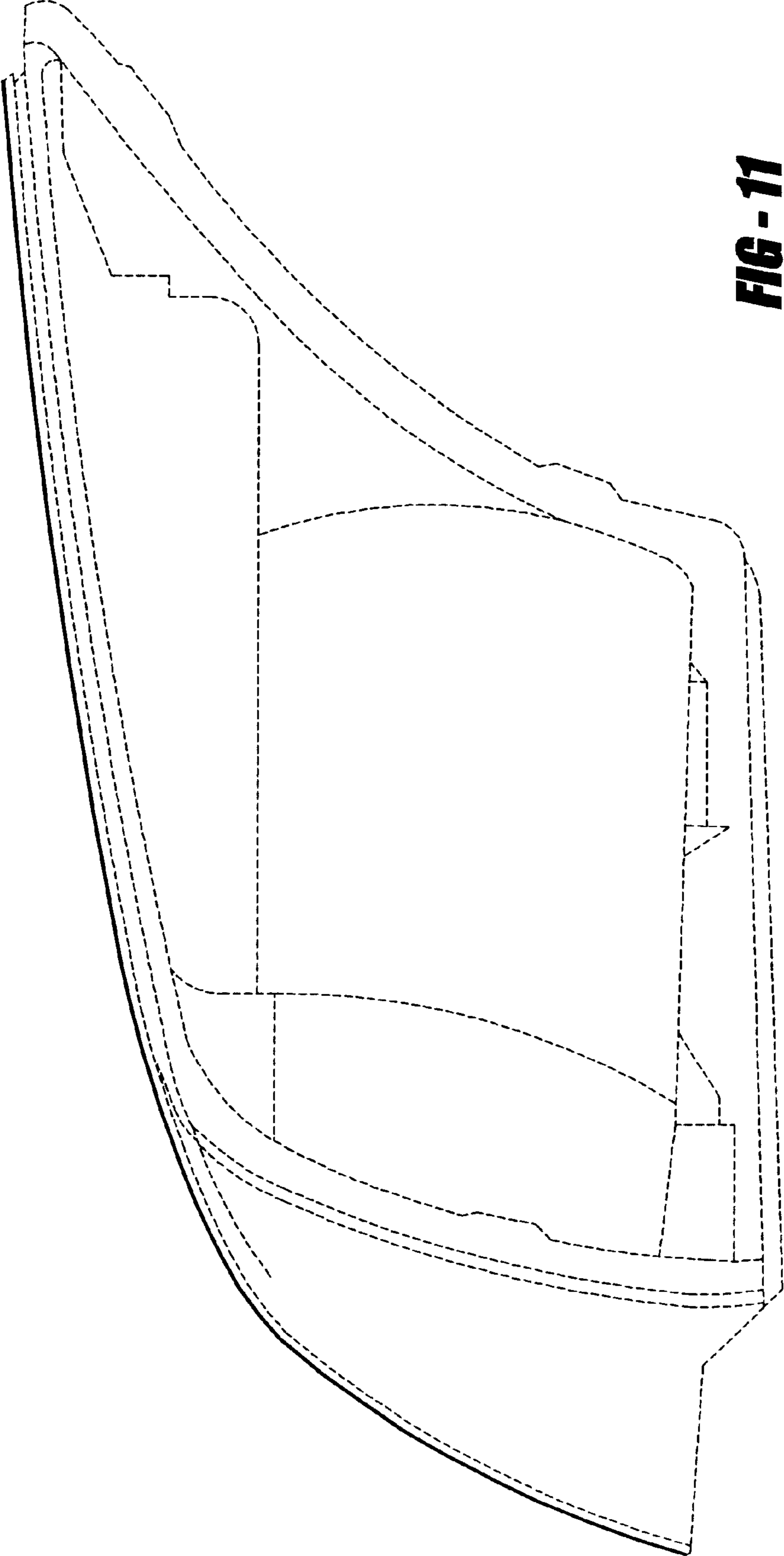
**FIG - 8**



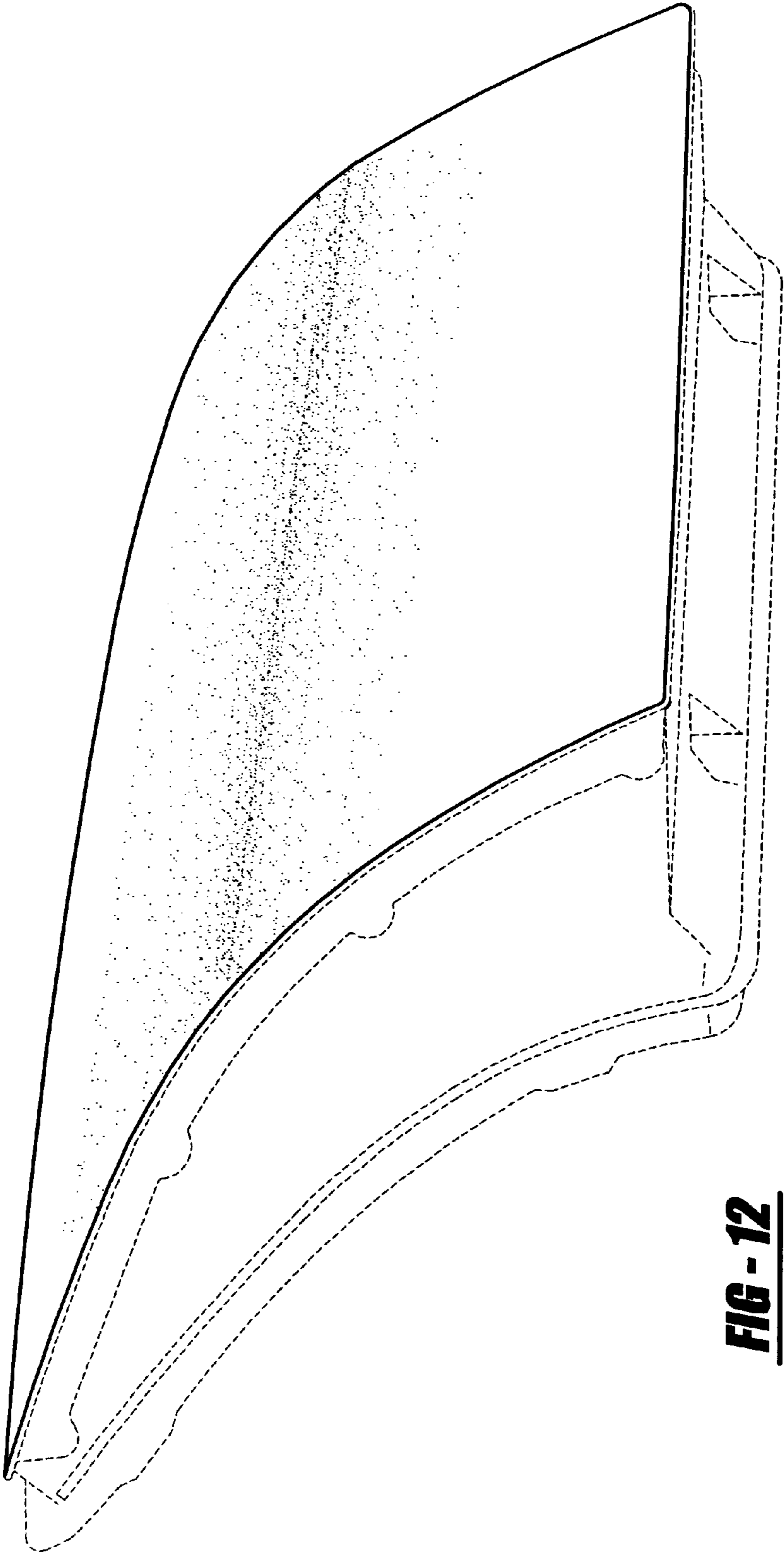
**FIG - 9**



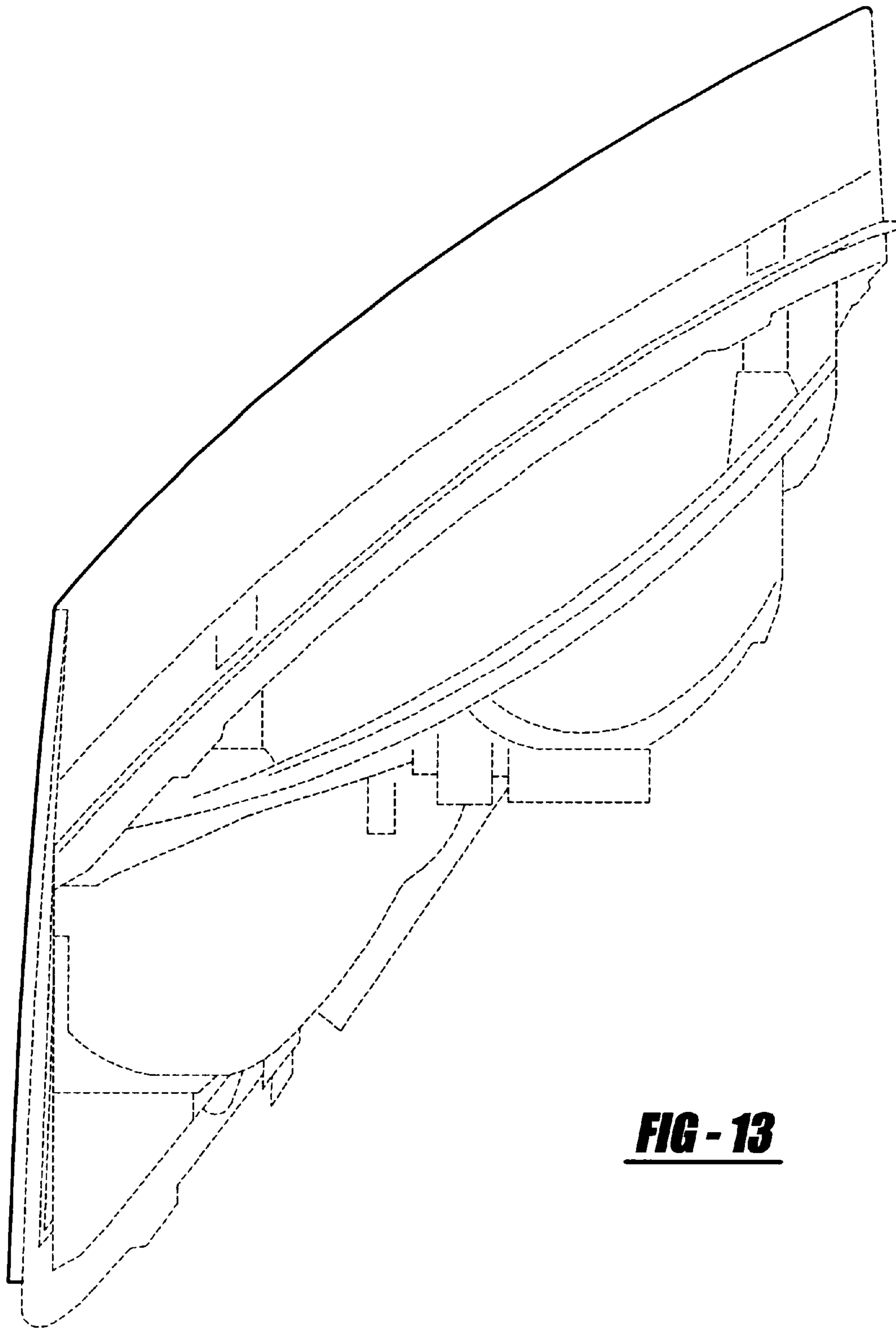
**FIG - 10**



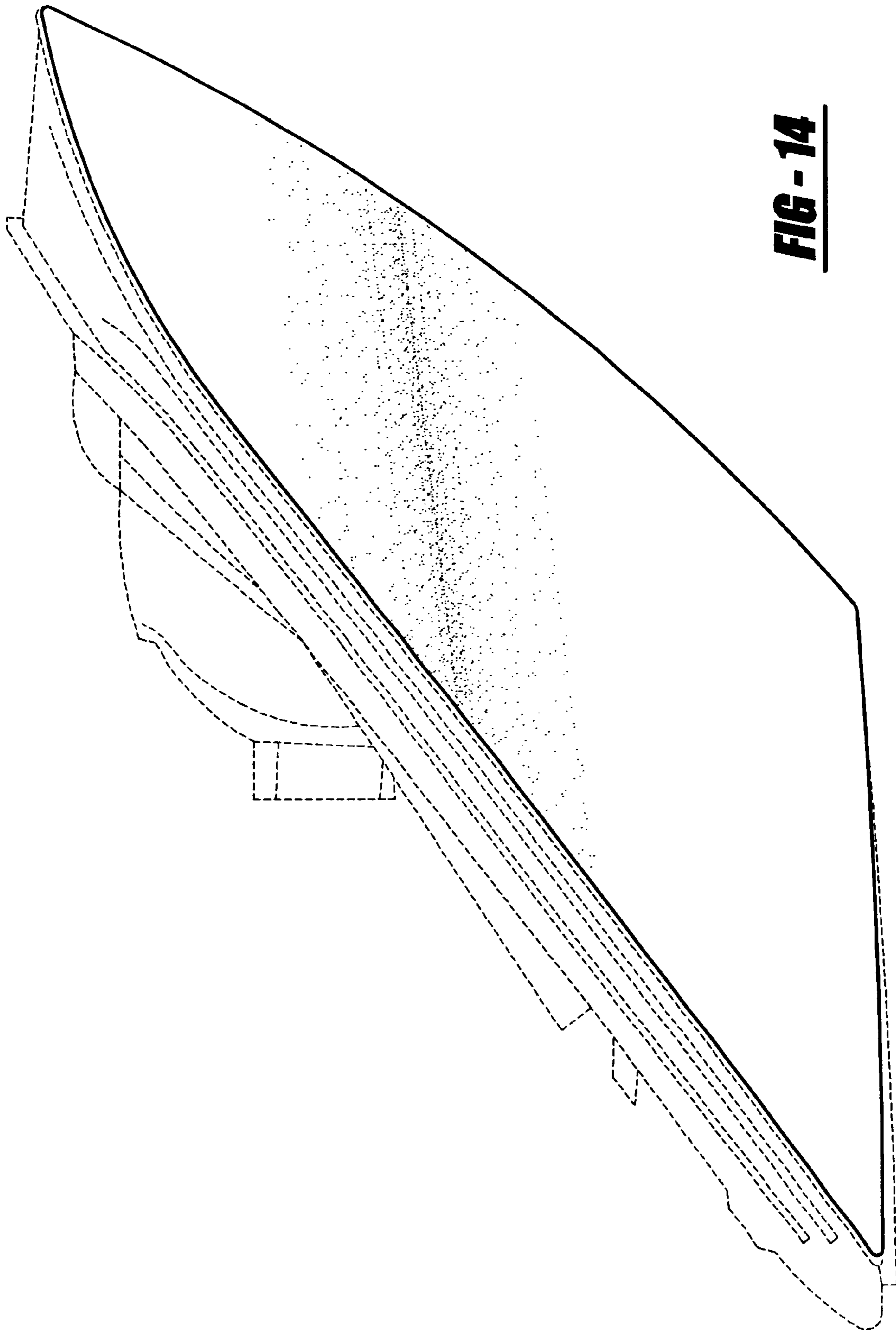
**FIG - 11**



**FIG - 12**



**FIG - 13**



**FIG - 14**