



US00D525386S

(12) **United States Design Patent**  
**McCarthy, III**

(10) **Patent No.:** **US D525,386 S**

(45) **Date of Patent:** **\*\* Jul. 18, 2006**

(54) **SCONCE-TYPE LIGHTING FIXTURE**

(75) Inventor: **Charles A. McCarthy, III**, Gurnee, IL (US)

(73) Assignee: **Kenall Manufacturing Company**, Gurnee, IL (US)

(\*\*) Term: **14 Years**

(21) Appl. No.: **29/204,863**

(22) Filed: **May 5, 2004**

(51) **LOC (8) Cl.** ..... **26-03**

(52) **U.S. Cl.** ..... **D26/85; D26/72**

(58) **Field of Classification Search** ..... D26/72, D26/76, 80-92; 362/147, 432, 404-408  
See application file for complete search history.

(56) **References Cited**

**U.S. PATENT DOCUMENTS**

D110,165 S	*	6/1938	Arenberg	.....	D26/85
D114,329 S	*	4/1939	Gregg	.....	D26/86
2,291,488 A	*	7/1942	Naysmith	.....	362/222
D136,797 S	*	12/1943	Mareck	.....	D26/76
D160,791 S	*	11/1950	Kushner	.....	D26/85
D320,668 S		10/1991	von Kluck		
D323,905 S		2/1992	von Kluck		
D324,112 S		2/1992	Von Kluck		
D344,362 S		2/1994	Engle		
D344,363 S		2/1994	Engle		
D344,364 S		2/1994	Engle		
D361,639 S		8/1995	Christopoulos		

D364,242 S	*	11/1995	Fiorato	.....	D26/85
D364,479 S		11/1995	Gilbert		
D394,518 S		5/1998	Burrow		
D404,163 S		1/1999	Littman		
D419,258 S		1/2000	Pfister		
D421,505 S	*	3/2000	Hastings et al.	.....	D26/76
D429,361 S		8/2000	Tihany		
D430,326 S		8/2000	Littman		
D440,343 S		4/2001	Littman		
D443,945 S		6/2001	Littman		
D444,587 S	*	7/2001	Hastings et al.	.....	D26/76
D455,518 S		4/2002	Littman		
D457,679 S		5/2002	Littman		
D487,527 S	*	3/2004	Sieczkowski	.....	D26/76

\* cited by examiner

*Primary Examiner*—Clare E Heflin

(74) *Attorney, Agent, or Firm*—Jansson, Shupe, Munger & Antaramian, Ltd.

(57) **CLAIM**

The ornamental design for a sconce-type lighting fixture, as shown and described.

**DESCRIPTION**

FIG. 1 is a perspective view;

FIG. 2 is a top view;

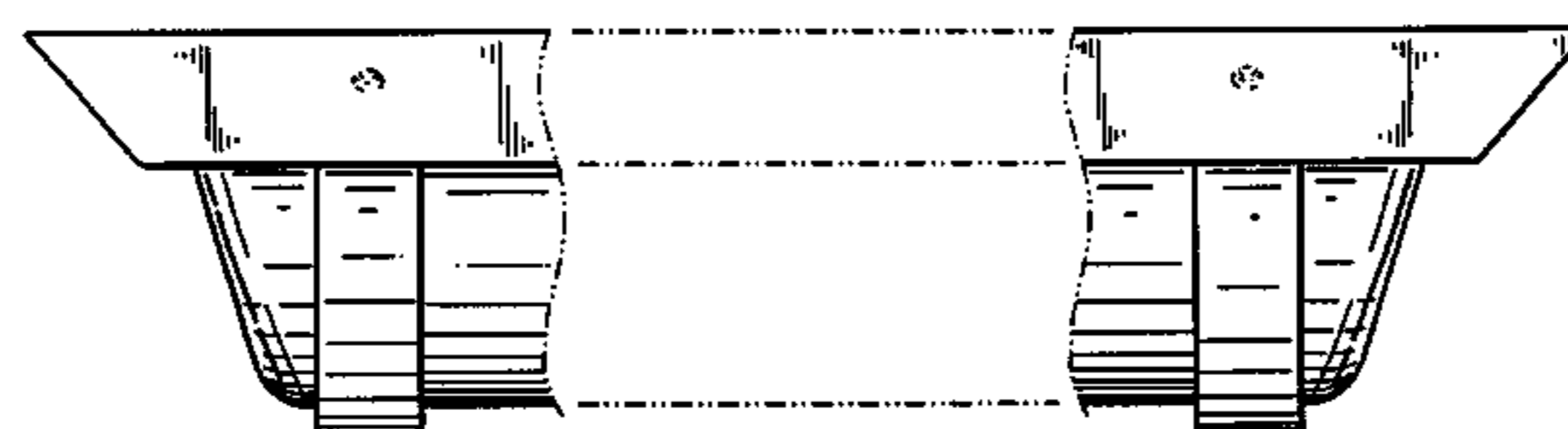
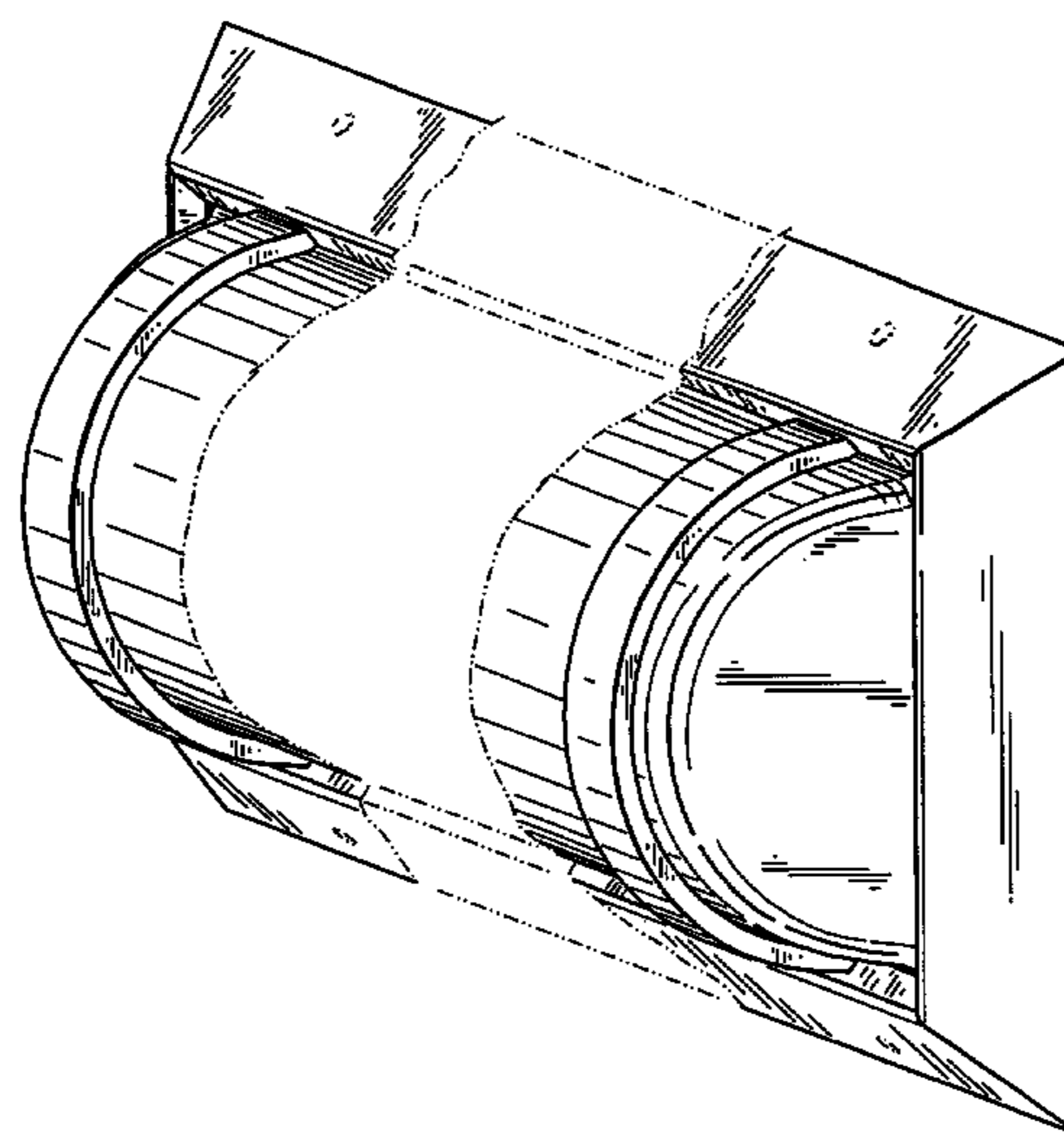
FIG. 3 is a side view;

FIG. 4 is an end view; and,

FIG. 5 is a bottom view.

The broken lines shown on the drawings are for illustrative purposes only and form no part of the claimed design.

**1 Claim, 2 Drawing Sheets**



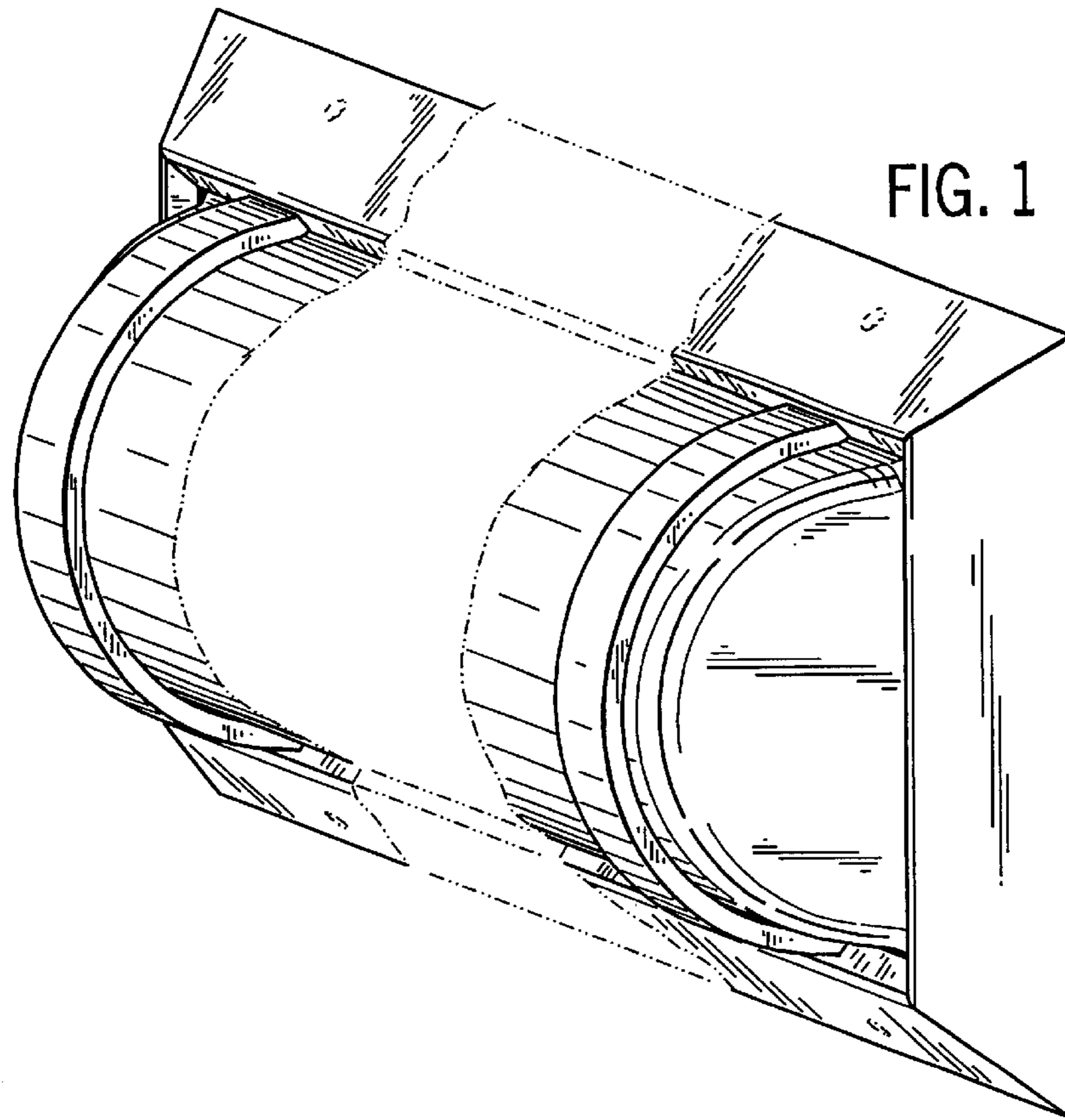
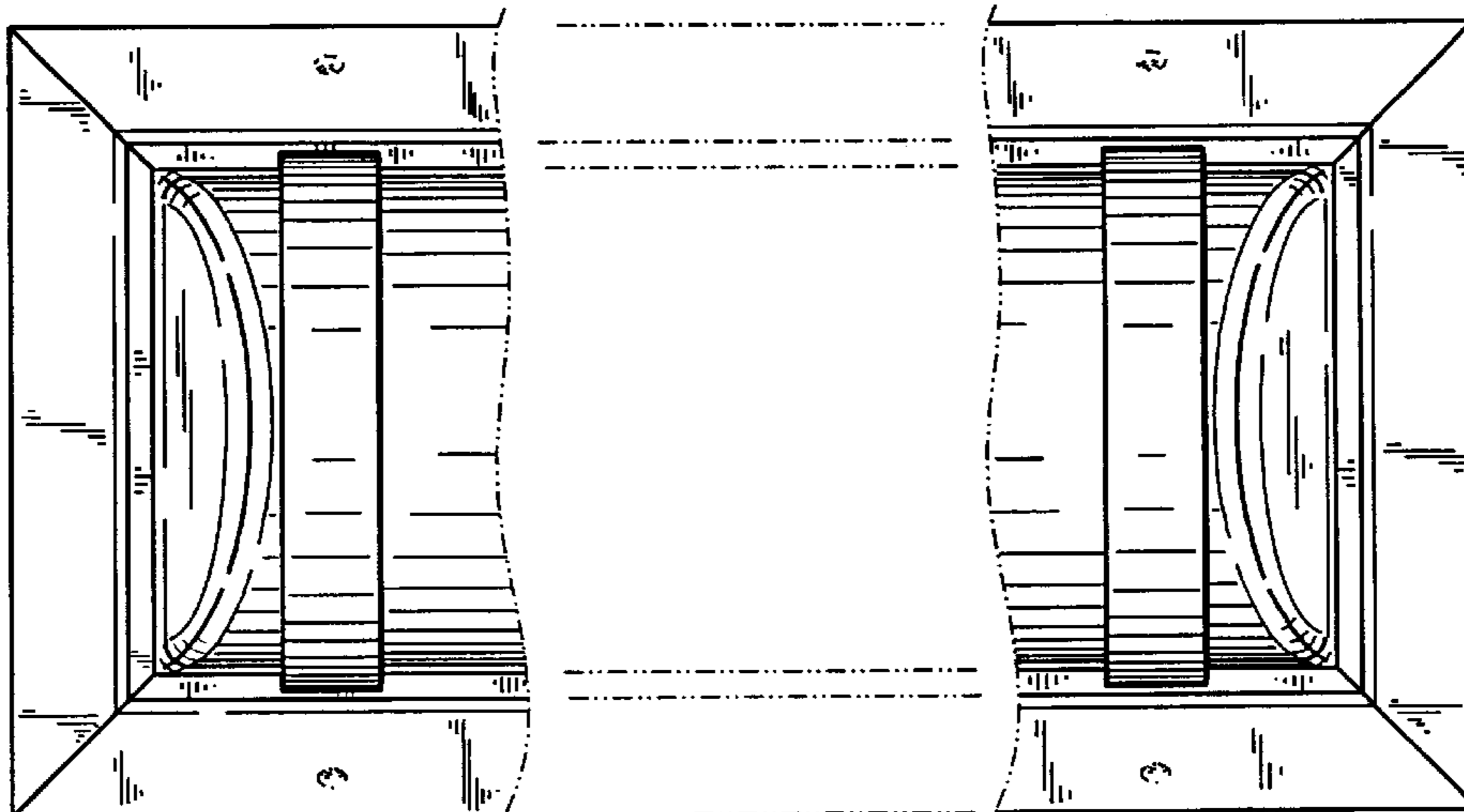


FIG. 1

FIG. 2



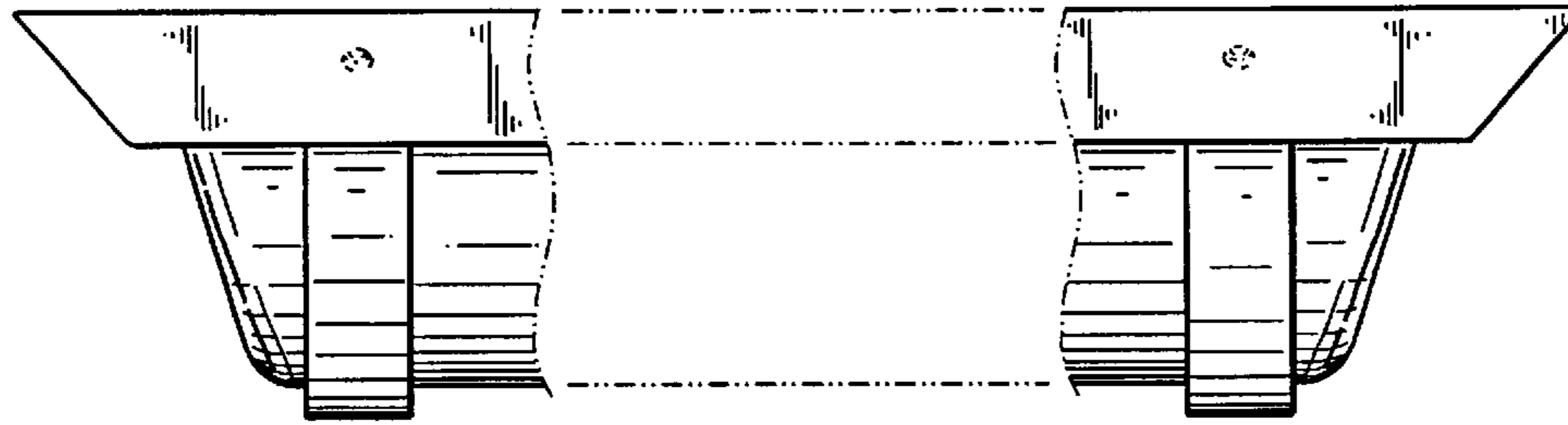


FIG. 3

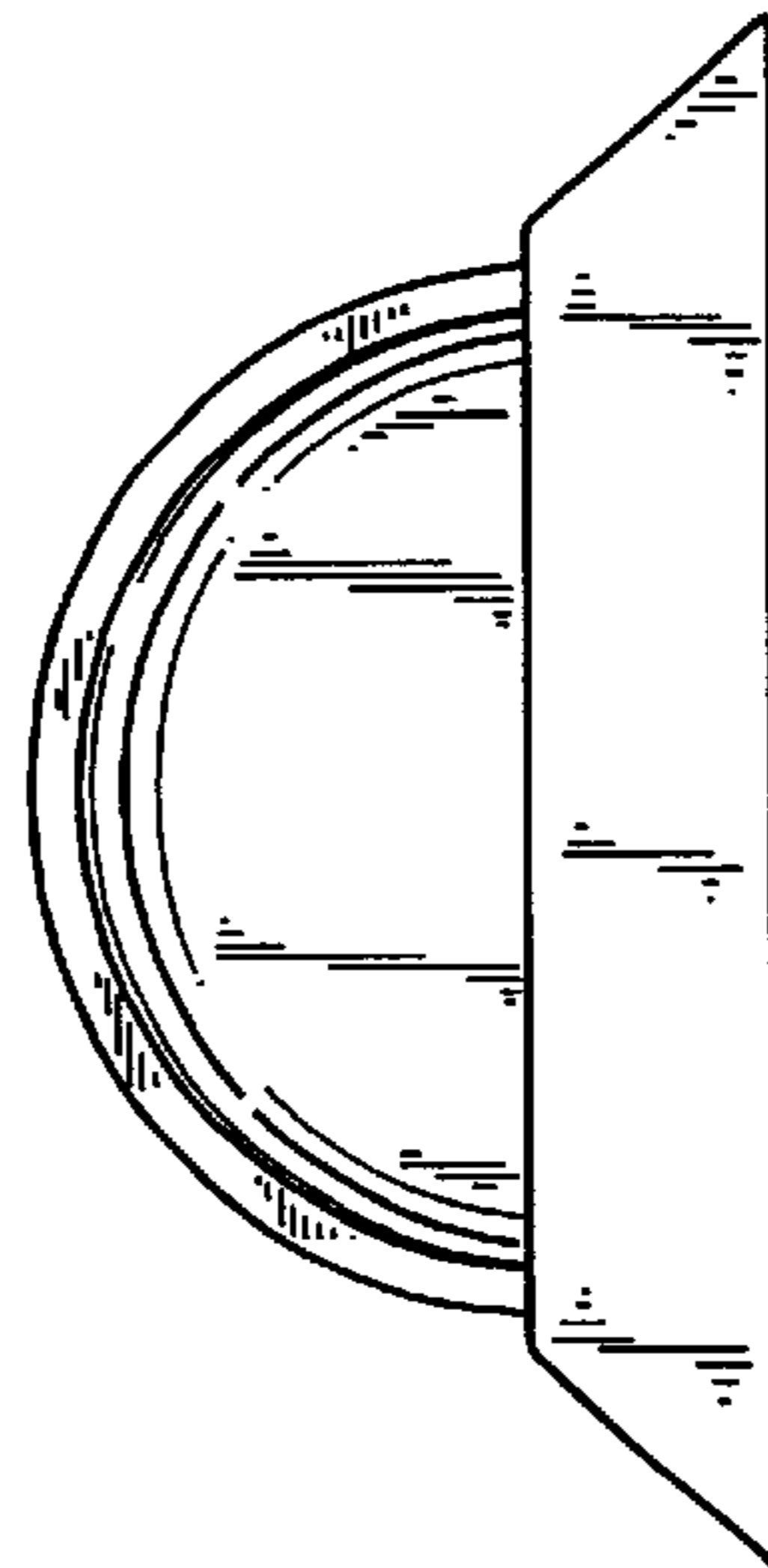


FIG. 4

FIG. 5

