

US00D525383S

(12) **United States Design Patent**
Waycaster et al.

(10) **Patent No.:** **US D525,383 S**
(45) **Date of Patent:** **** Jul. 18, 2006**

(54) **FLUORESCENT LUMINAIRE**
(75) Inventors: **Brad Waycaster**, Tupelo, MS (US);
Scotty Collins, Tupelo, MS (US)
(73) Assignee: **Genlyte Thomas Group LLC**,
Louisville, KY (US)
(**) Term: **14 Years**

D412,999 S * 8/1999 Herst et al. D26/76
6,024,468 A 2/2000 Kassay et al.
6,079,581 A 6/2000 Altman et al.
6,283,618 B1 9/2001 Fischer et al.
D477,105 S * 7/2003 Herst et al. D26/76
6,733,158 B1 5/2004 Fischer et al.
6,769,785 B1 * 8/2004 Herst et al. 362/147

* cited by examiner

Primary Examiner—Clare E Heflin
(74) *Attorney, Agent, or Firm*—Steve A. Witters; Middleton
Reutlinger

(21) Appl. No.: **29/218,269**
(22) Filed: **Nov. 30, 2004**

(51) **LOC (8) Cl.** **26-03**
(52) **U.S. Cl.** **D26/76; D26/80**
(58) **Field of Classification Search** D26/72,
D26/75-78, 80, 118, 122, 24; 362/605, 147,
362/151, 217-225

See application file for complete search history.

(57) **CLAIM**

The ornamental design for a fluorescent luminaire, as shown
and described.

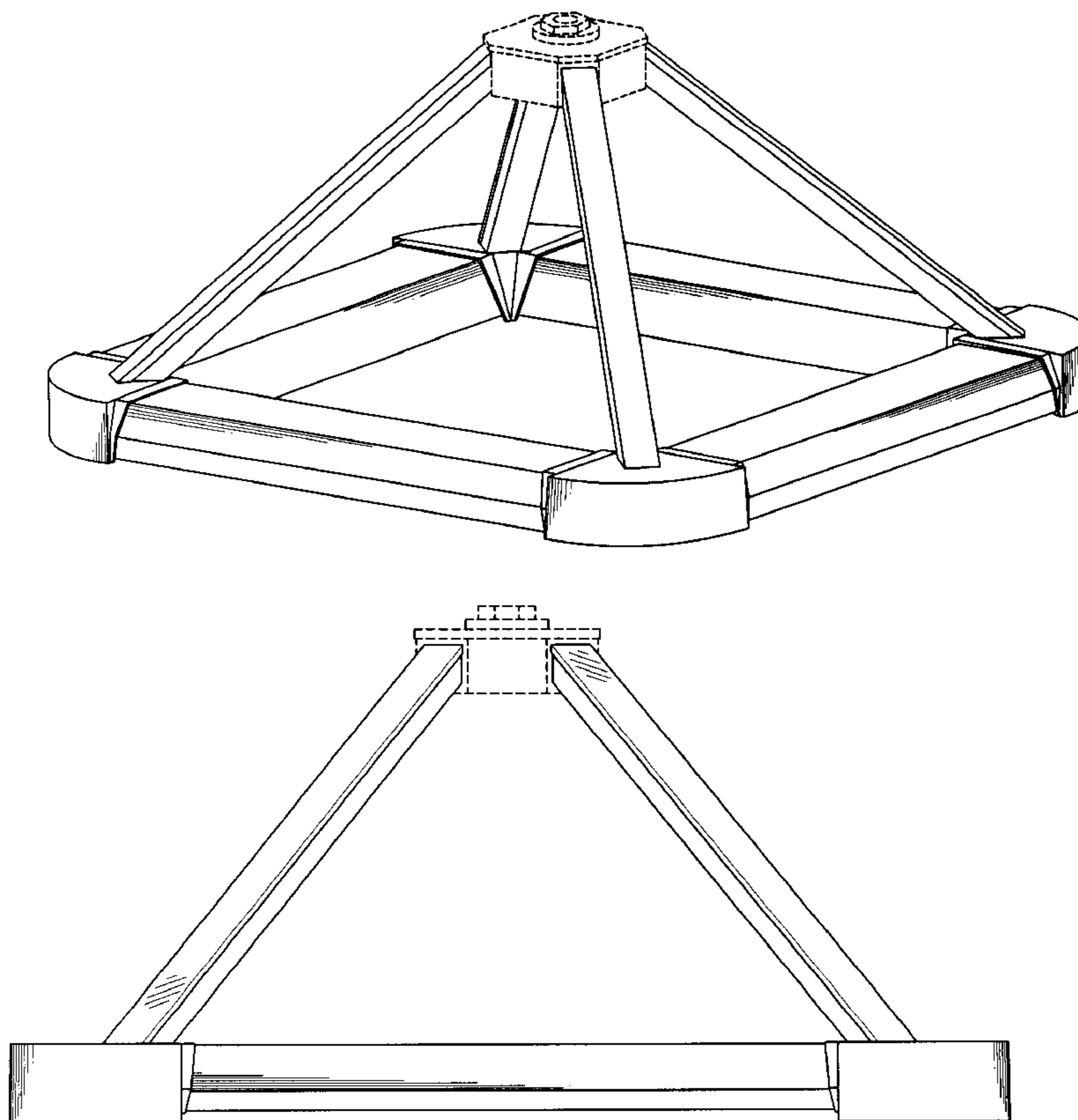
DESCRIPTION

FIG. 1 is a perspective view of a fluorescent luminaire
showing the design;
FIG. 2 is a top view thereof;
FIG. 3 is a front view thereof, where the right and left views
are a mirror image of this view, and, therefore, have been
omitted; and,
FIG. 4 is a bottom view thereof.
The broken lines shown on the drawings are for illustrative
purposes only and form no part of the claimed design.

(56) **References Cited**
U.S. PATENT DOCUMENTS

D121,094 S * 6/1940 Heath D26/75
D129,922 S * 10/1941 Irmischer D26/24
D129,940 S * 10/1941 MacCarthy D26/78
D220,206 S * 3/1971 Hamburger D26/75
4,712,165 A * 12/1987 Cetrone 362/147
5,386,353 A * 1/1995 Battaglia 362/224
5,865,528 A 2/1999 Compton et al.

1 Claim, 4 Drawing Sheets



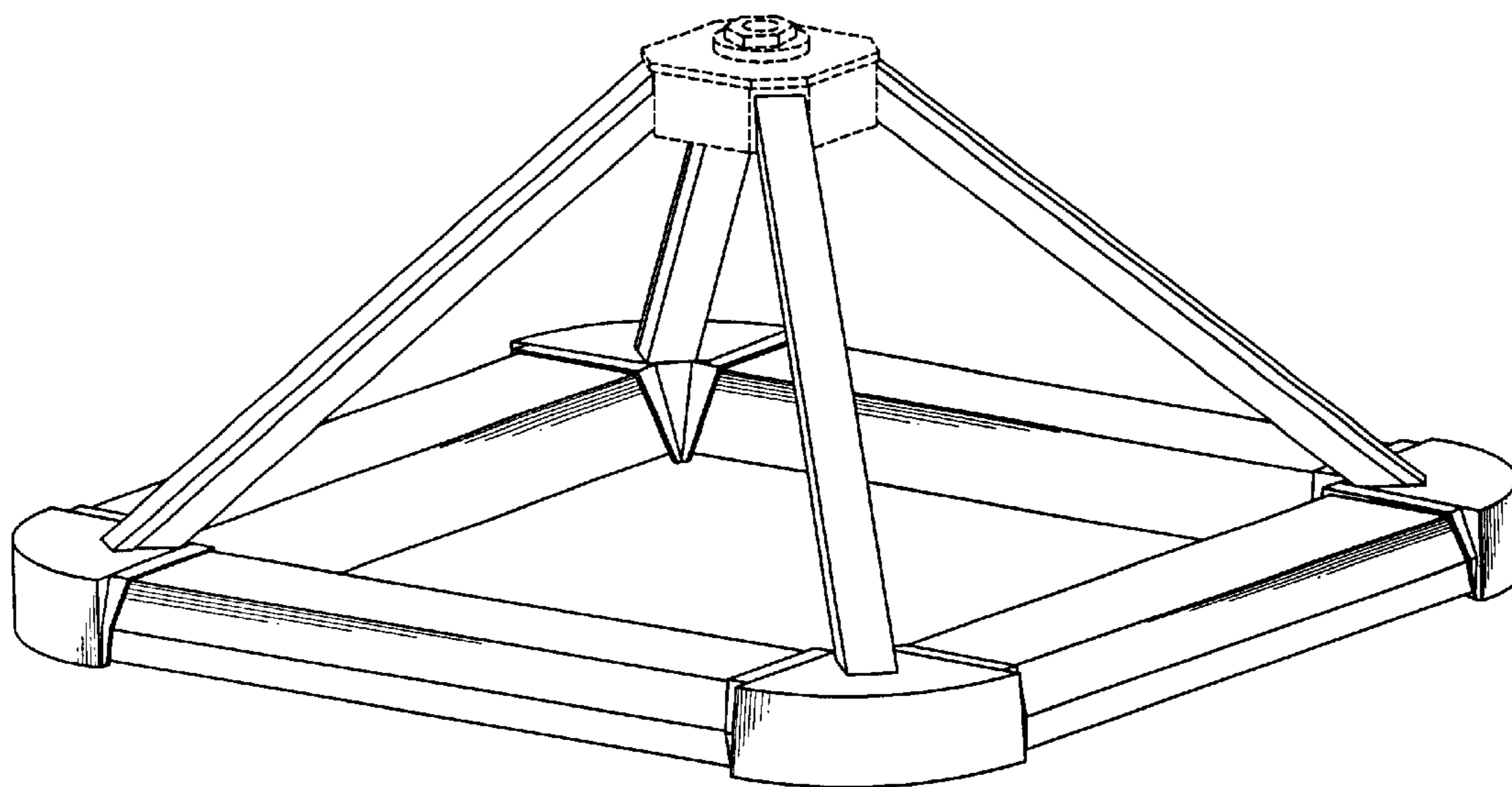


FIG. 1

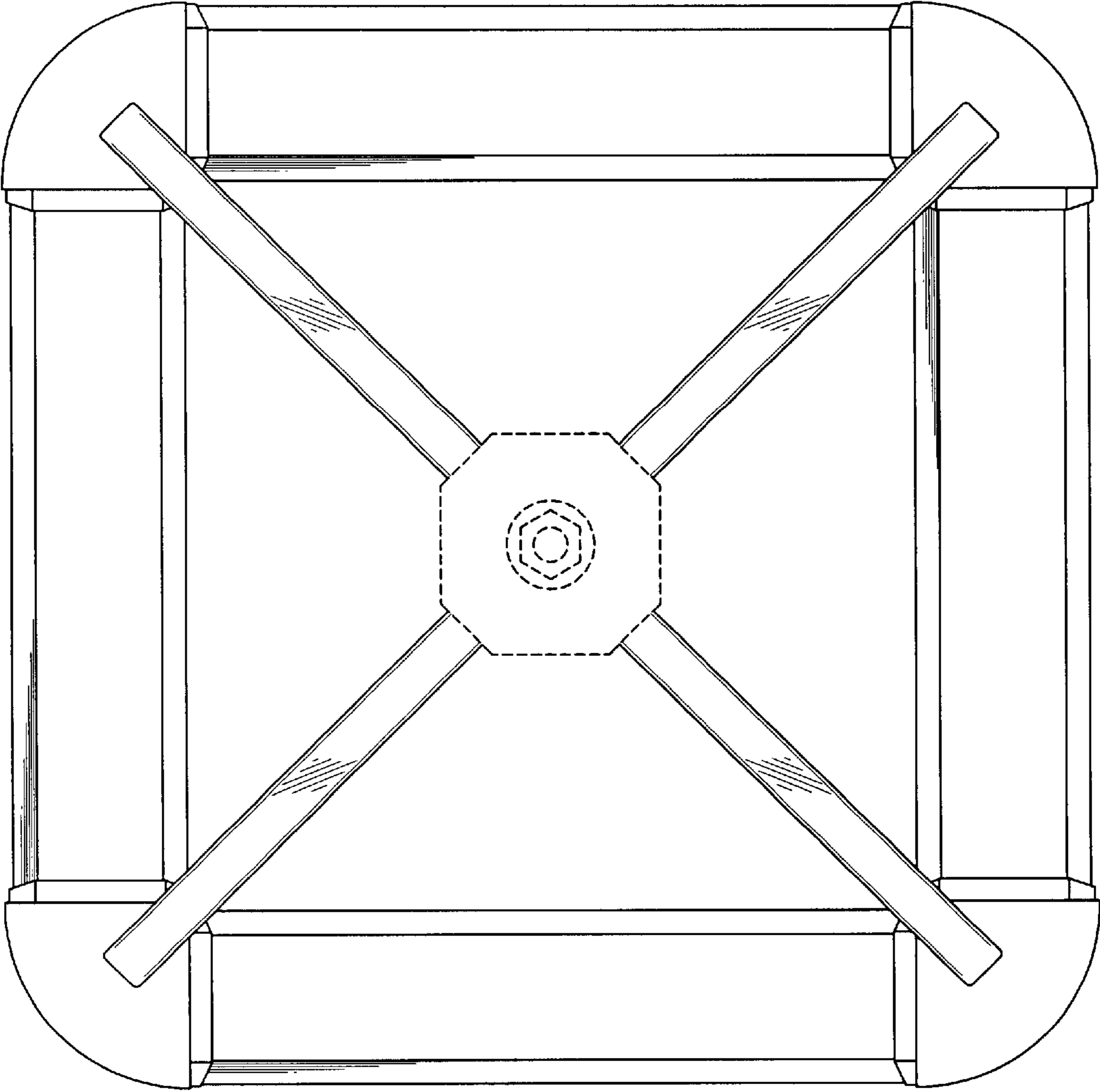


FIG. 2

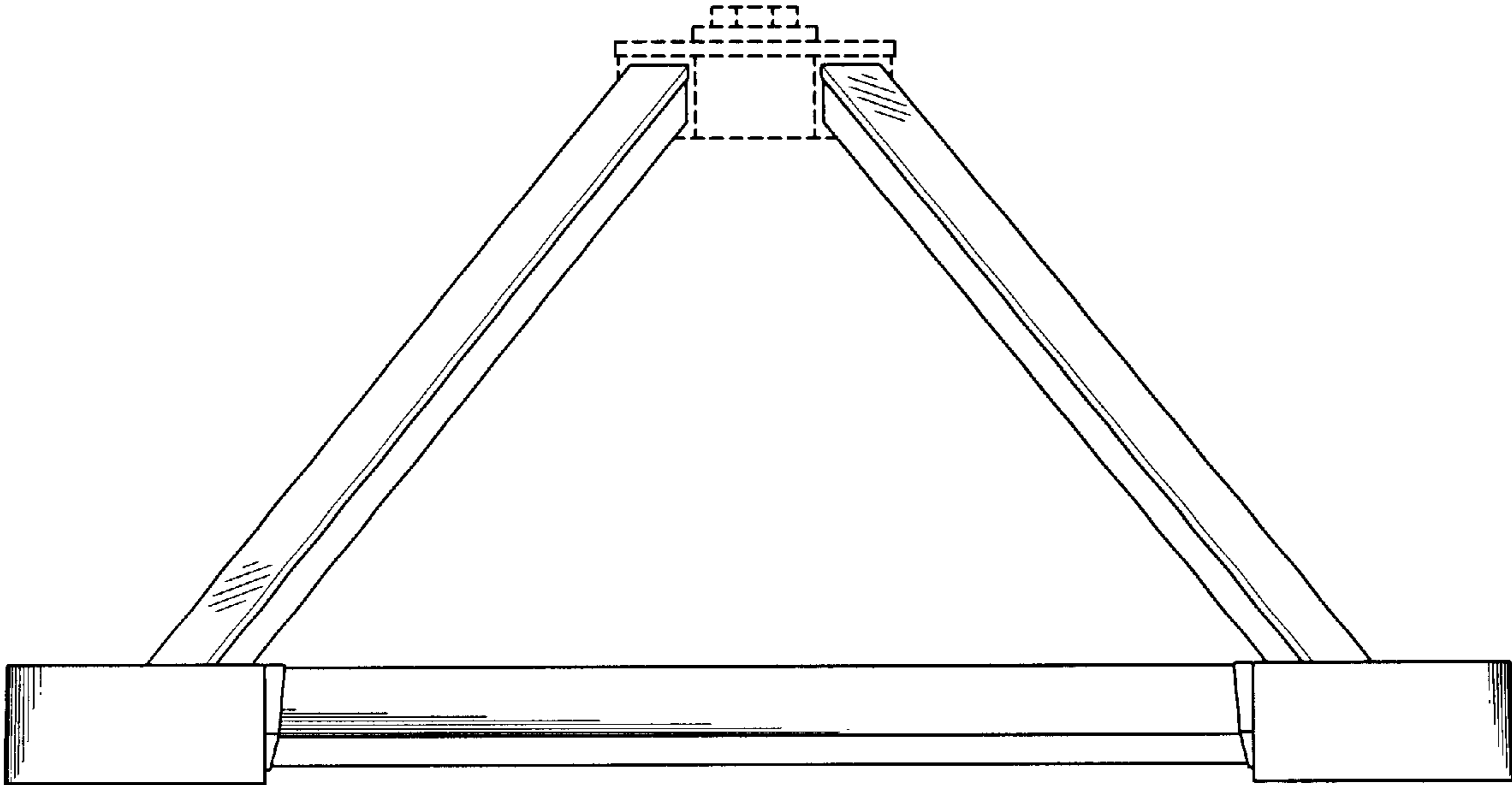


FIG. 3

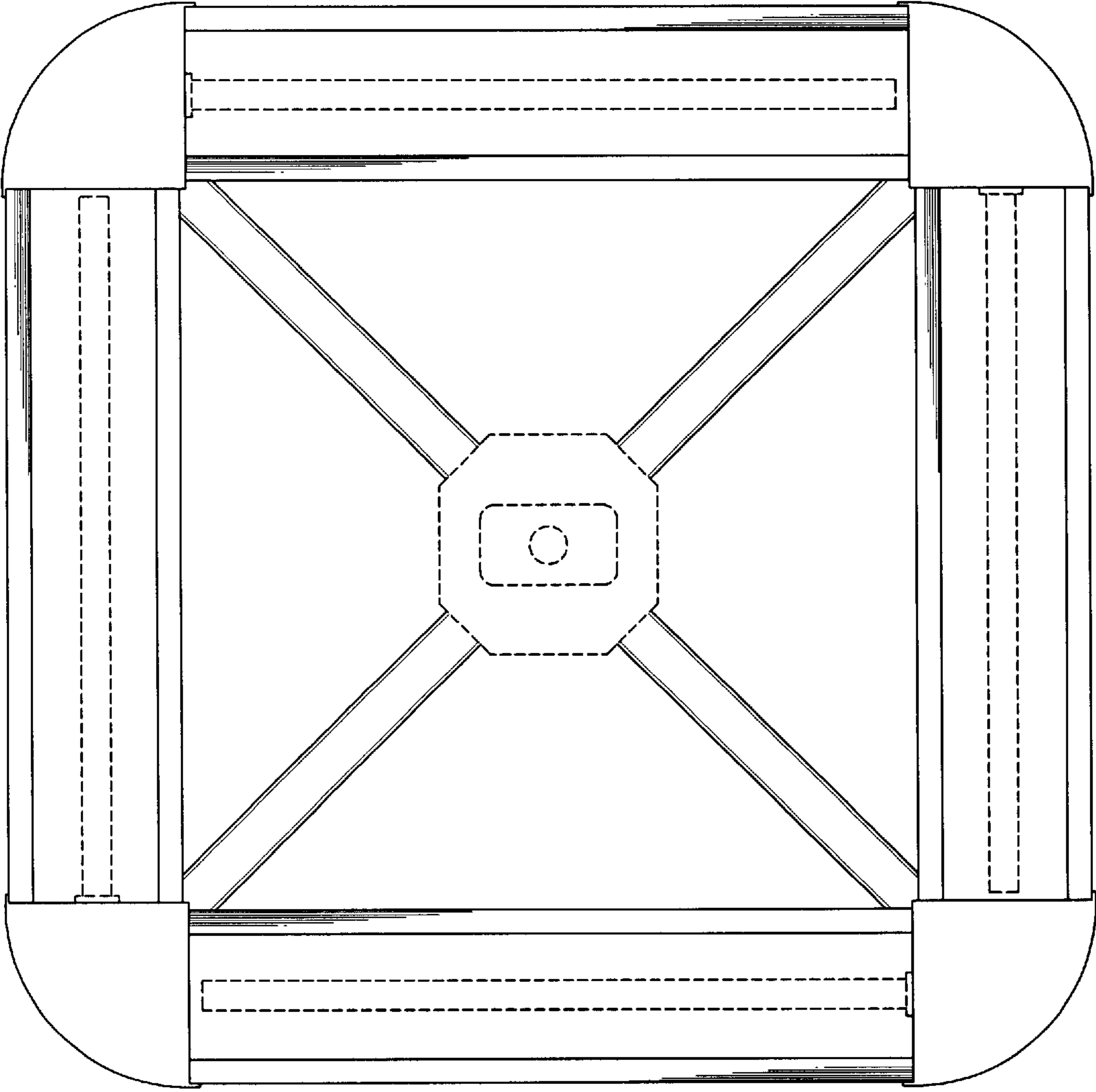


FIG. 4