

US00D525382S

(12) **United States Design Patent**
Chen

(10) **Patent No.:** **US D525,382 S**

(45) **Date of Patent:** **** Jul. 18, 2006**

(54) **LAMP**

(75) Inventor: **Meiric Chen**, Taipei (TW)

(73) Assignee: **Seed Lighting Design Co., Ltd.**,
Hsinchuang (TW)

(**) Term: **14 Years**

(21) Appl. No.: **29/225,282**

(22) Filed: **Mar. 14, 2005**

(51) **LOC (8) Cl.** **26-05**

(52) **U.S. Cl.** **D26/65**

(58) **Field of Classification Search** D26/60-65,
D26/93, 118, 107, 43, 51, 56; 362/269, 277,
362/278, 282, 285, 287, 288, 410, 413, 418-430,
362/449

See application file for complete search history.

(56) **References Cited**

U.S. PATENT DOCUMENTS

D360,968 S * 8/1995 Sonneman D26/107
D397,469 S * 8/1998 Yumita et al. D26/65

D408,577 S * 4/1999 Arndt D26/107
D411,024 S * 6/1999 Schaak et al. D26/62
D448,879 S * 10/2001 Wang D26/65
D473,676 S * 4/2003 Barber D26/93

* cited by examiner

Primary Examiner—Clare E Heflin

(57) **CLAIM**

The ornamental design for a lamp, as shown and described.

DESCRIPTION

FIG. 1 is a perspective view of a lamp showing my new design;

FIG. 2 is a left side view thereof;

FIG. 3 is a right side view thereof;

FIG. 4 is a rear elevation view thereof;

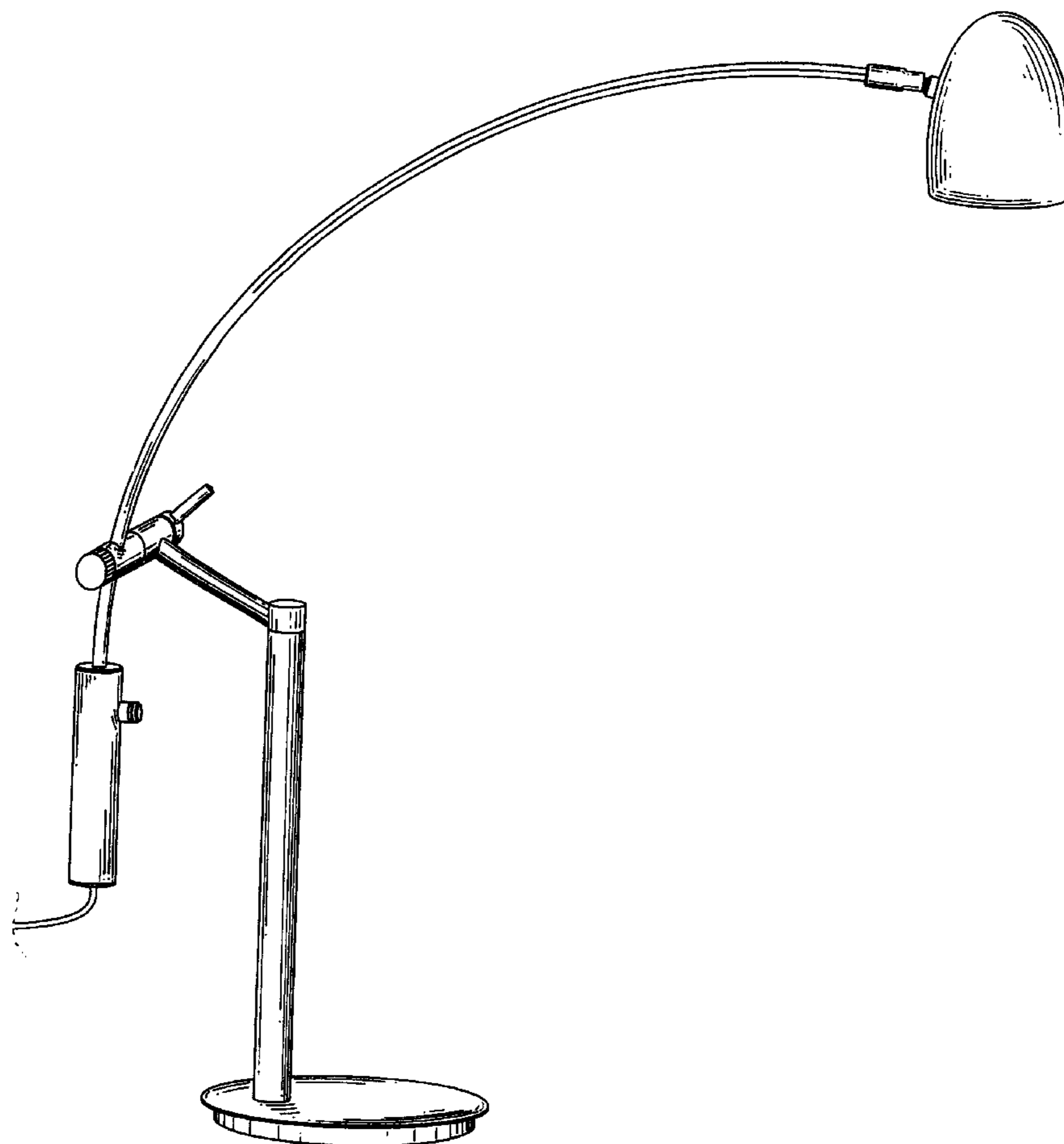
FIG. 5 is a front elevation view thereof;

FIG. 6 is a top plan view thereof; and,

FIG. 7 is a bottom plan view thereof.

The broken lines shown on the drawings define the bounds of the claimed design and form no part thereof.

1 Claim, 7 Drawing Sheets



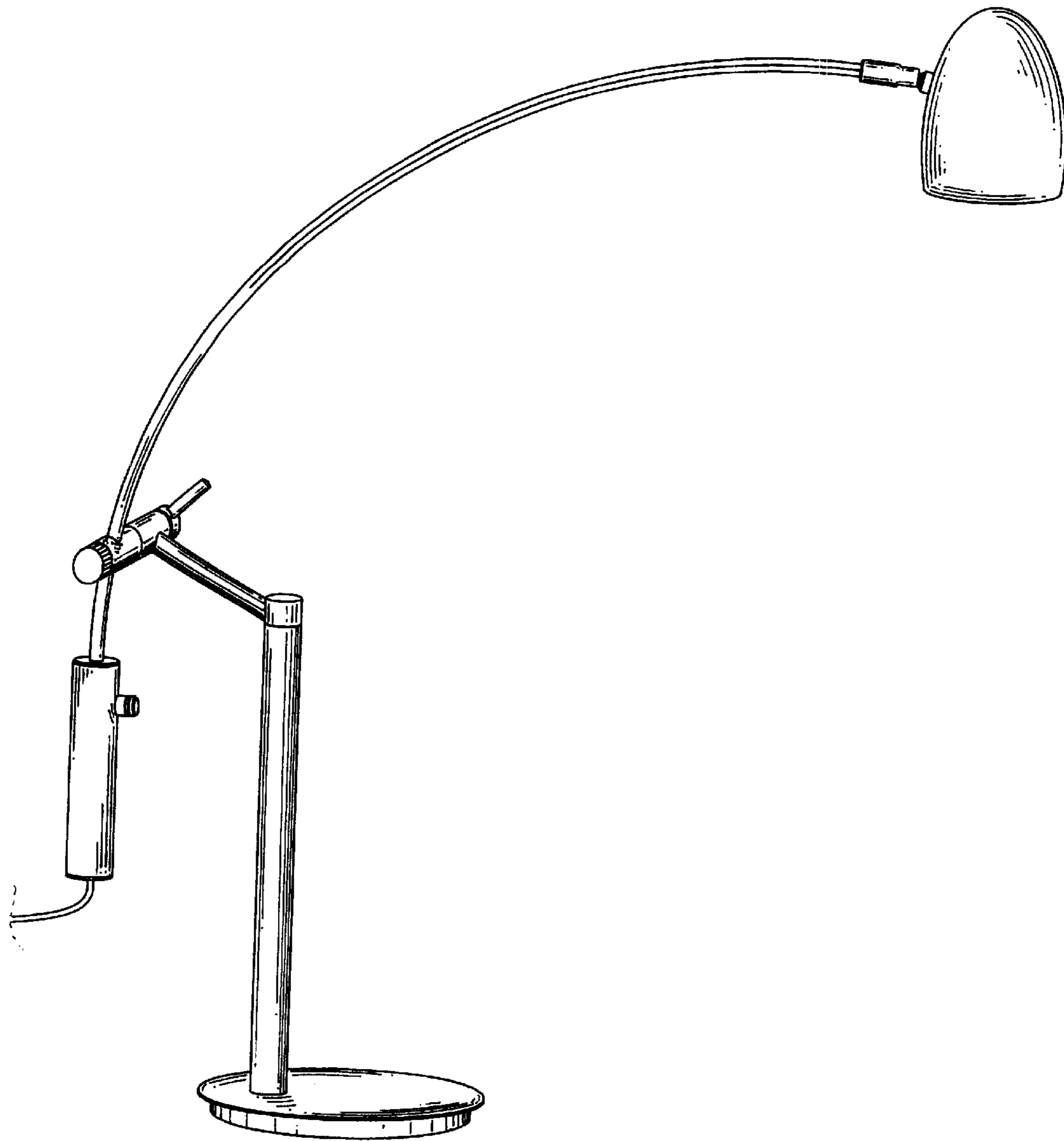


FIG. 1

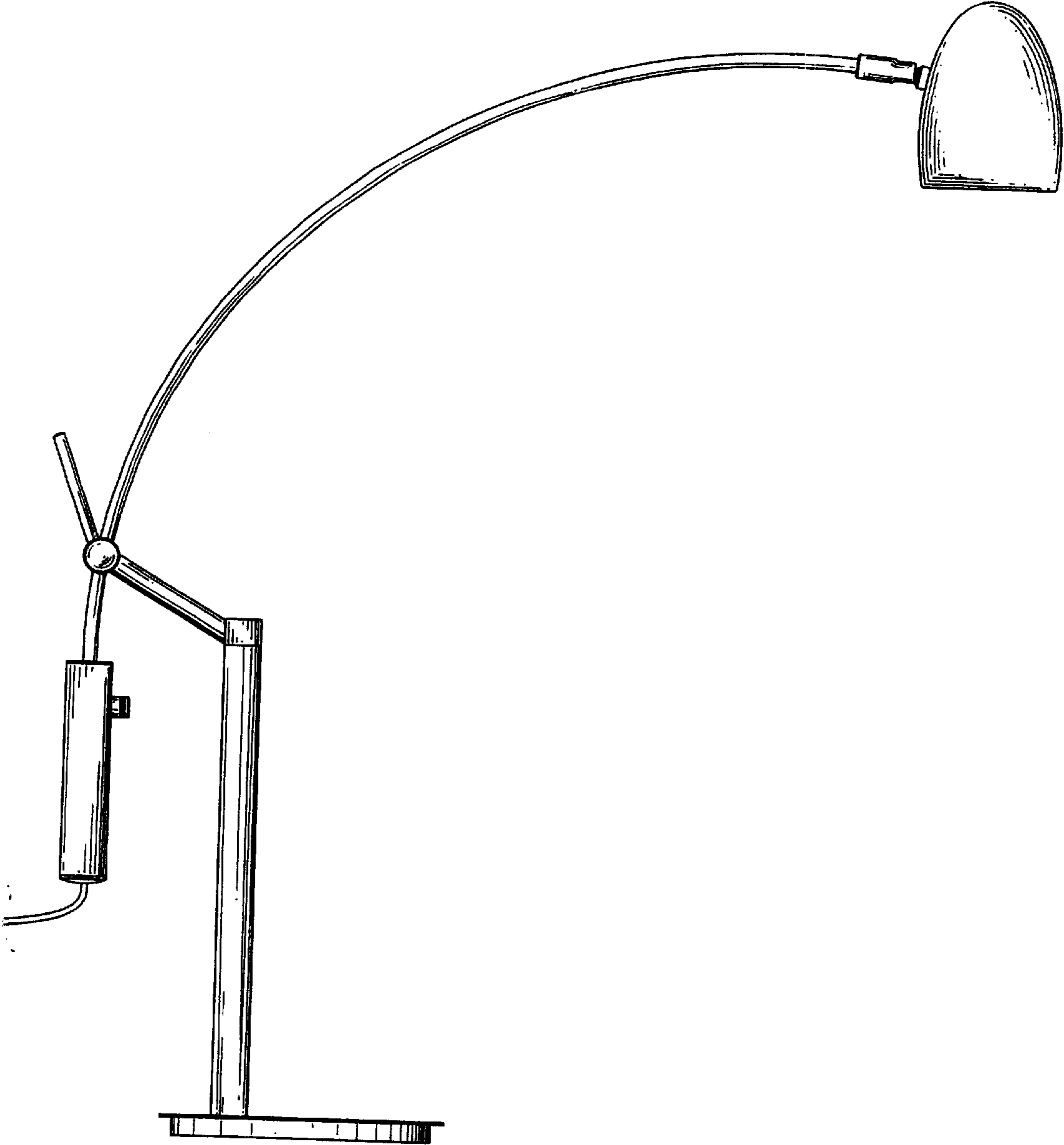


FIG. 2

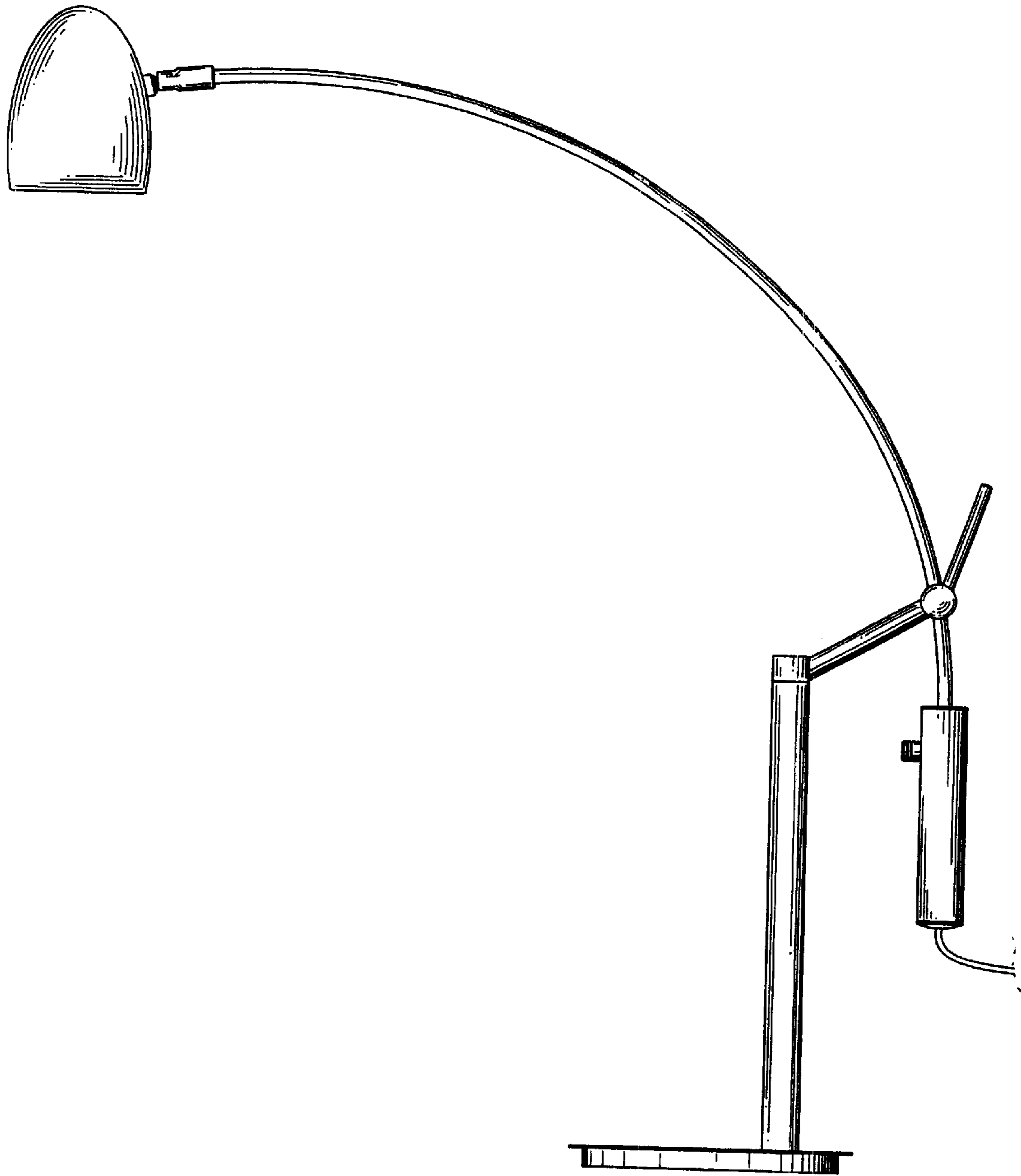


FIG. 3

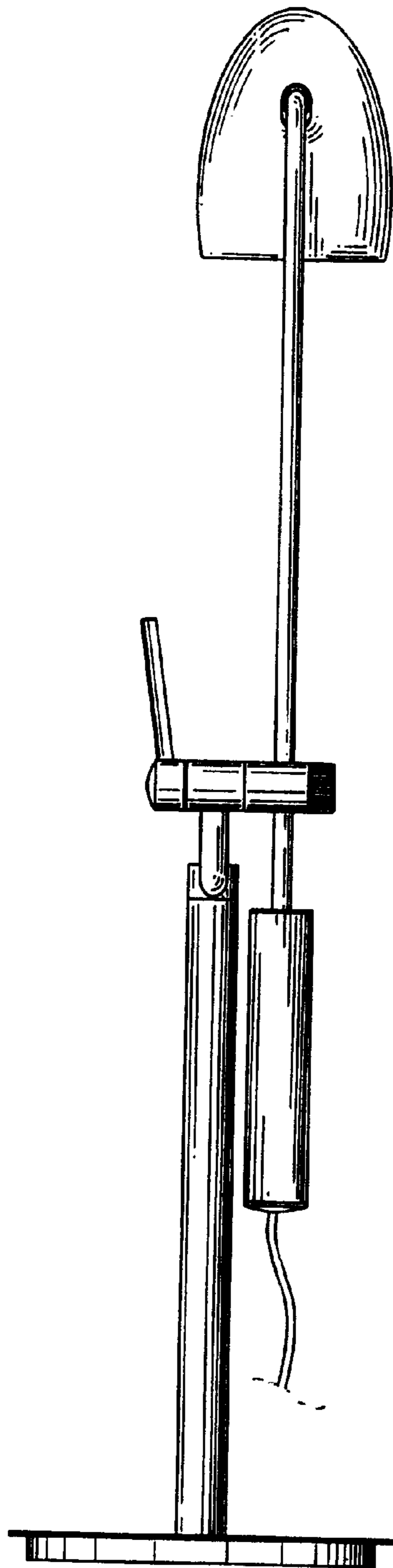


FIG. 4

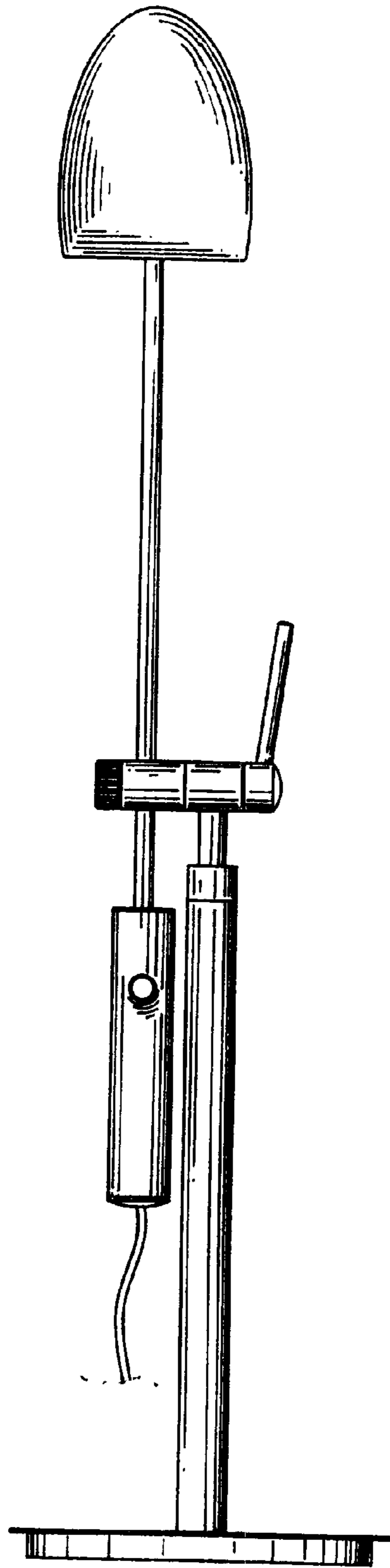


FIG. 5

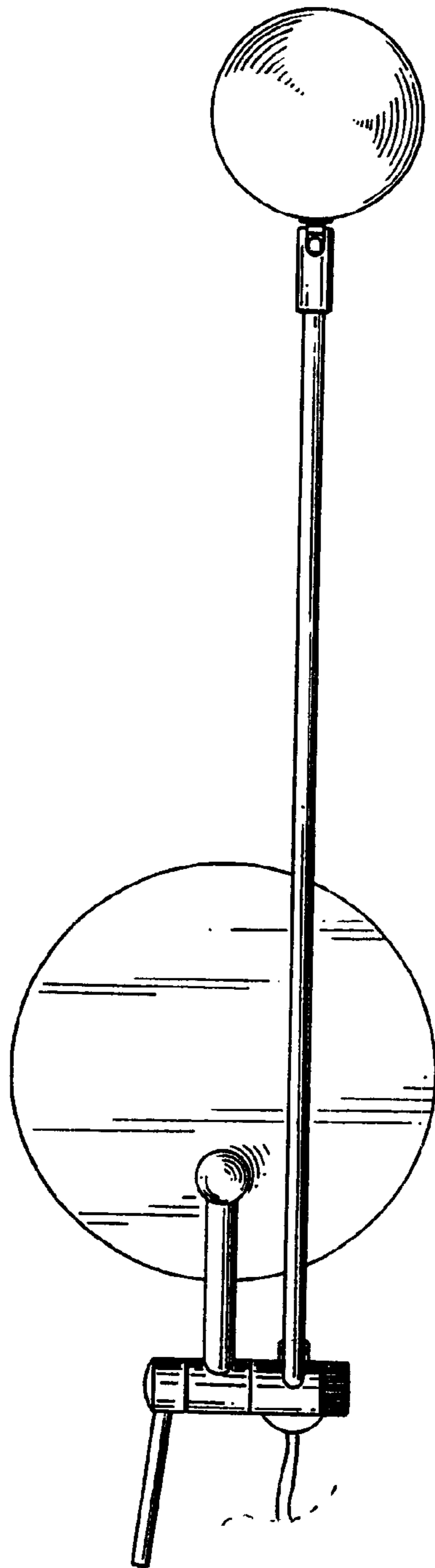


FIG. 6

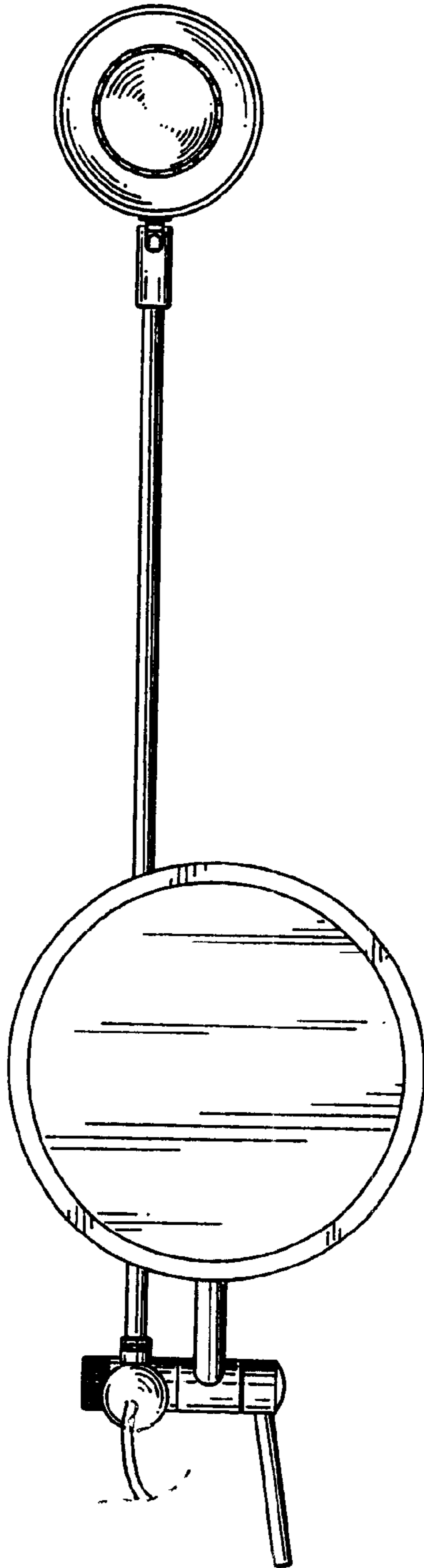


FIG. 7