



US00D525381S

(12) **United States Design Patent**
Hodgson

(10) **Patent No.:** **US D525,381 S**
(45) **Date of Patent:** **** Jul. 18, 2006**

(54) **EASEL LAMP**

2002/0145876 A1 * 10/2002 Juang 362/378

(75) Inventor: **Fraser Milbourne Hodgson**, London
(GB)

OTHER PUBLICATIONS

Blue Clip-On Lamp from Amazon.com. Found online Nov. 9, 2005.*

(73) Assignee: **Daylight Company (Holdings) Limited**, London (GB)

* cited by examiner

(**) Term: **14 Years**

Primary Examiner—Clare E. Heflin

(74) *Attorney, Agent, or Firm*—Lawrence E. Laubscher, Jr.

(21) Appl. No.: **29/235,171**

(57) **CLAIM**

(22) Filed: **Jul. 27, 2005**

The ornamental design for a easel lamp, as shown and described.

(51) **LOC (8) Cl.** **26-05**

(52) **U.S. Cl.** **D26/60; D26/62**

(58) **Field of Classification Search** D26/60–65,
D26/93, 118, 107, 43, 51, 56; 362/269, 277,
362/278, 282, 285, 287, 288, 410, 413, 418–430,
362/449

DESCRIPTION

See application file for complete search history.

FIG. 1 is a front perspective view of the invention illustrating my design;

FIG. 2 is a front elevation view thereof;

FIG. 3 is a rear elevation view thereof;

FIG. 4 is a right side elevation view thereof;

FIG. 5 is left side elevation view thereof;

FIG. 6 is a top elevation view thereof; and,

FIG. 7 is a bottom elevation view thereof.

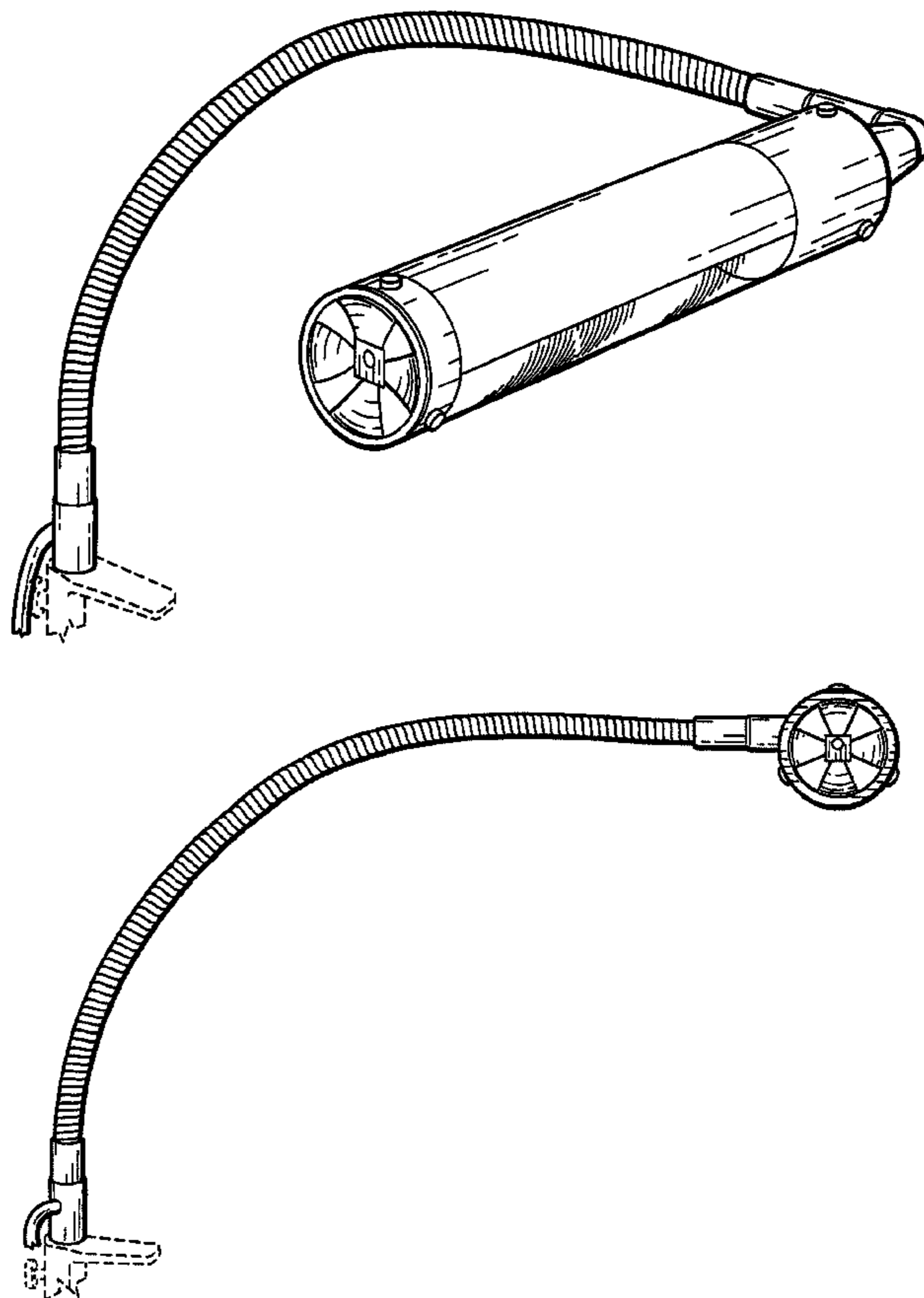
The broken lines shown on the drawings are for illustrative purposes only and form no part of the claimed design.

(56) **References Cited**

U.S. PATENT DOCUMENTS

D282,011 S	*	12/1985	Fackert	D26/62
D302,325 S	*	7/1989	Charet et al.	D26/60
D322,681 S	*	12/1991	Yuen	D26/38
D392,760 S	*	3/1998	Wu	D26/62
D476,106 S	*	6/2003	Kim	D26/62

1 Claim, 3 Drawing Sheets



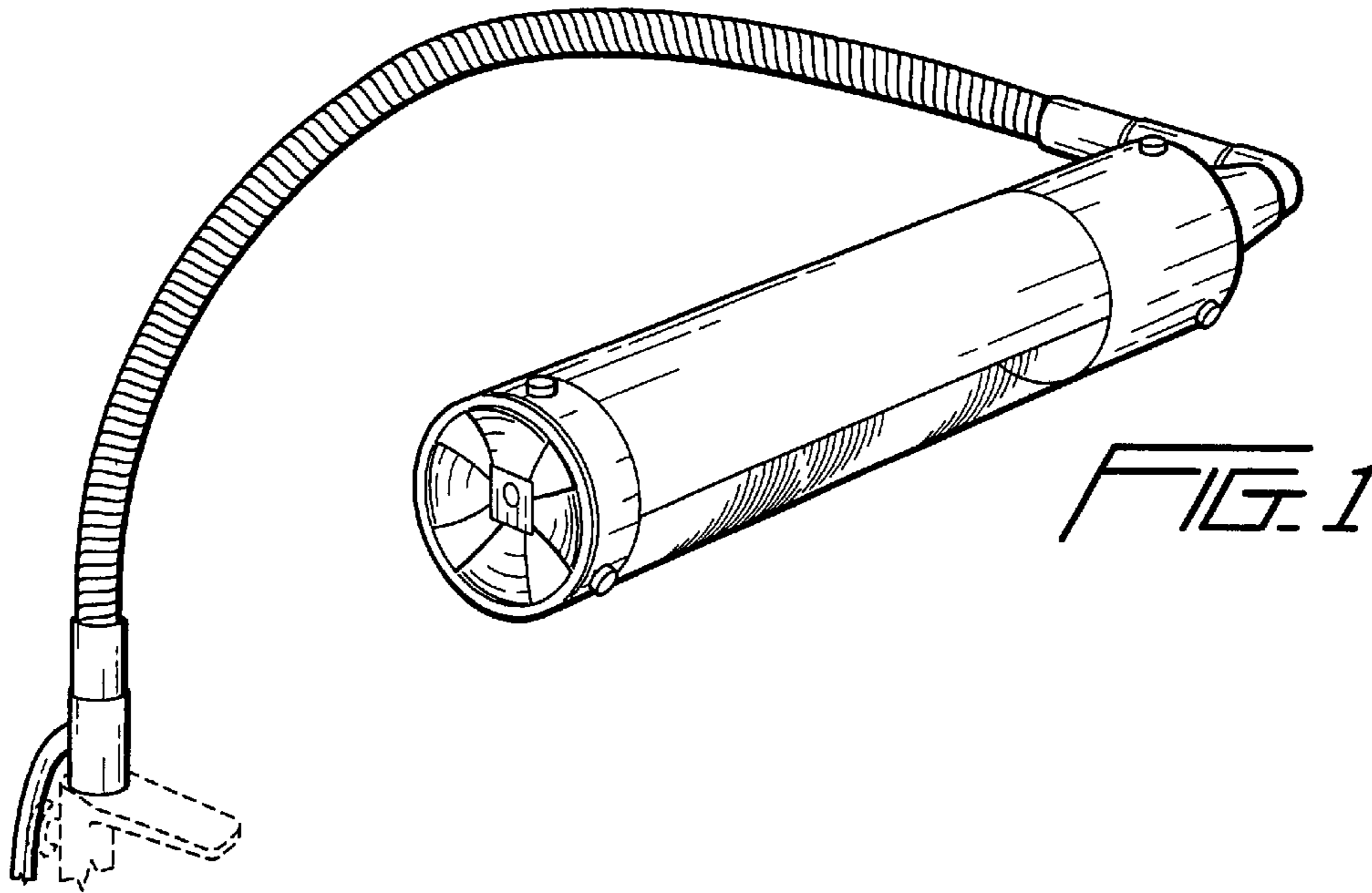


FIG. 1

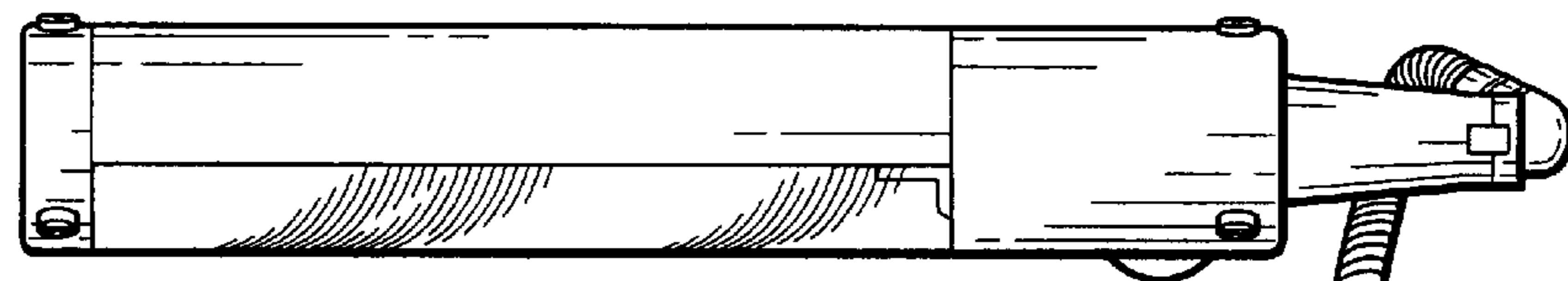


FIG. 4

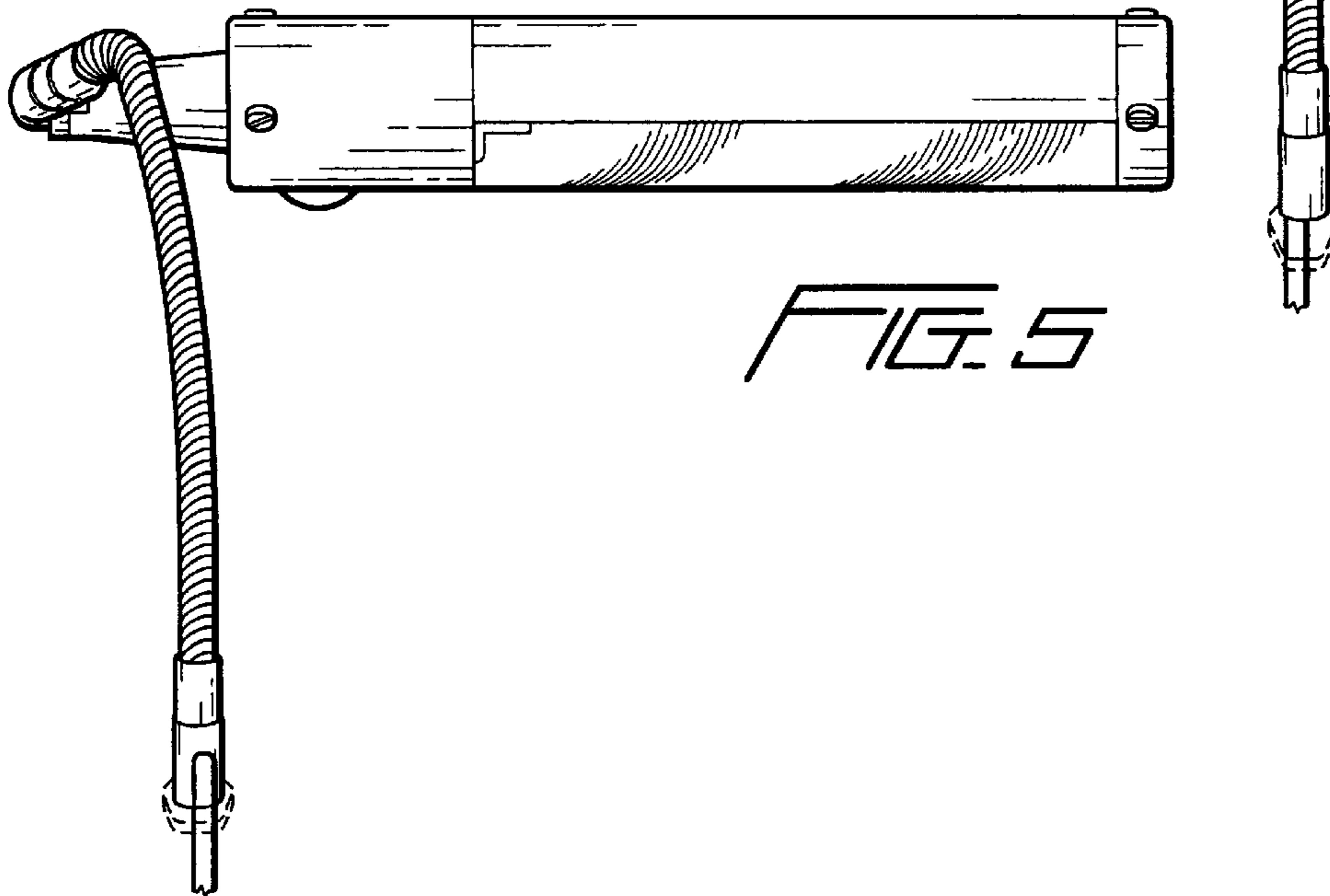


FIG. 5

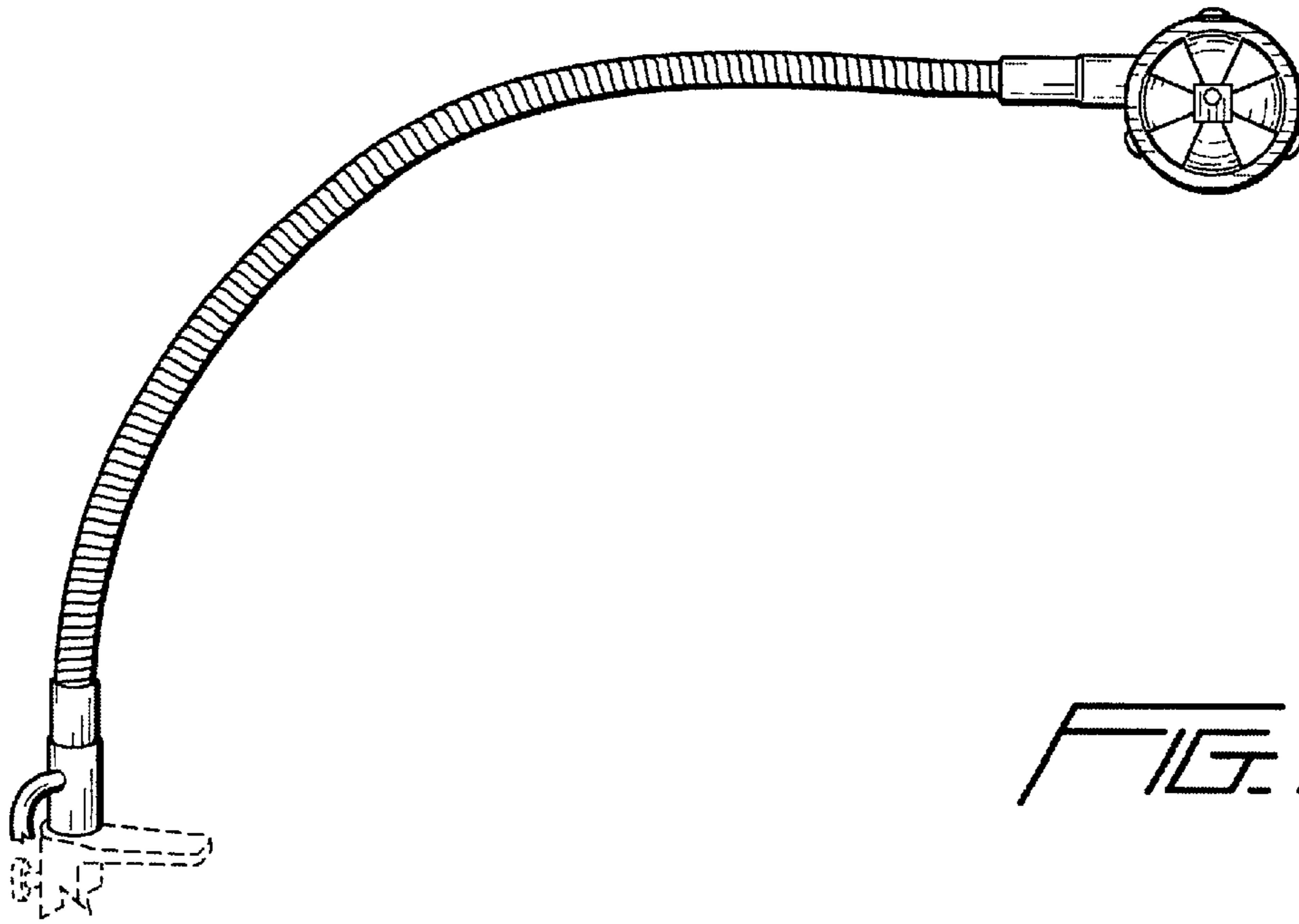


FIG. 2

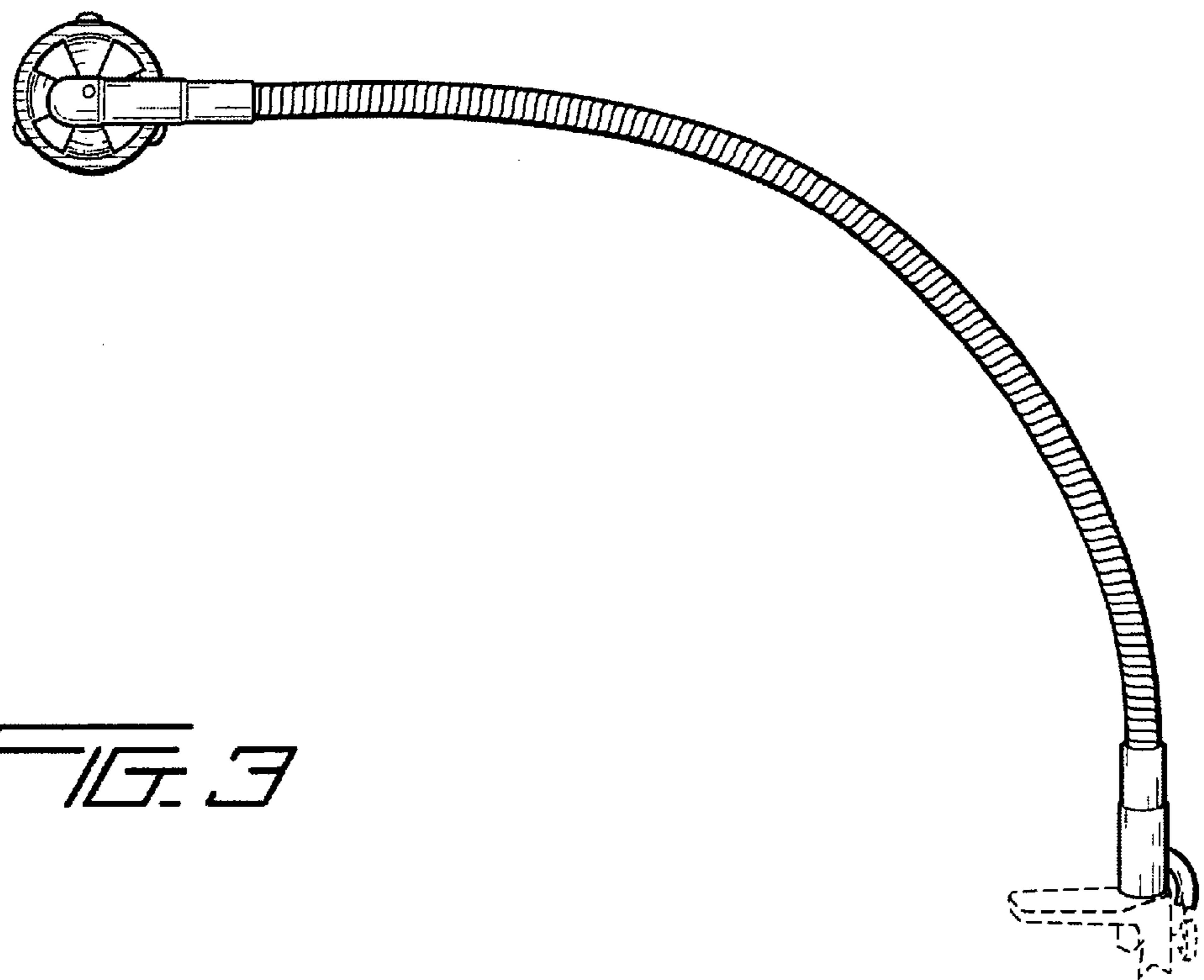


FIG. 3

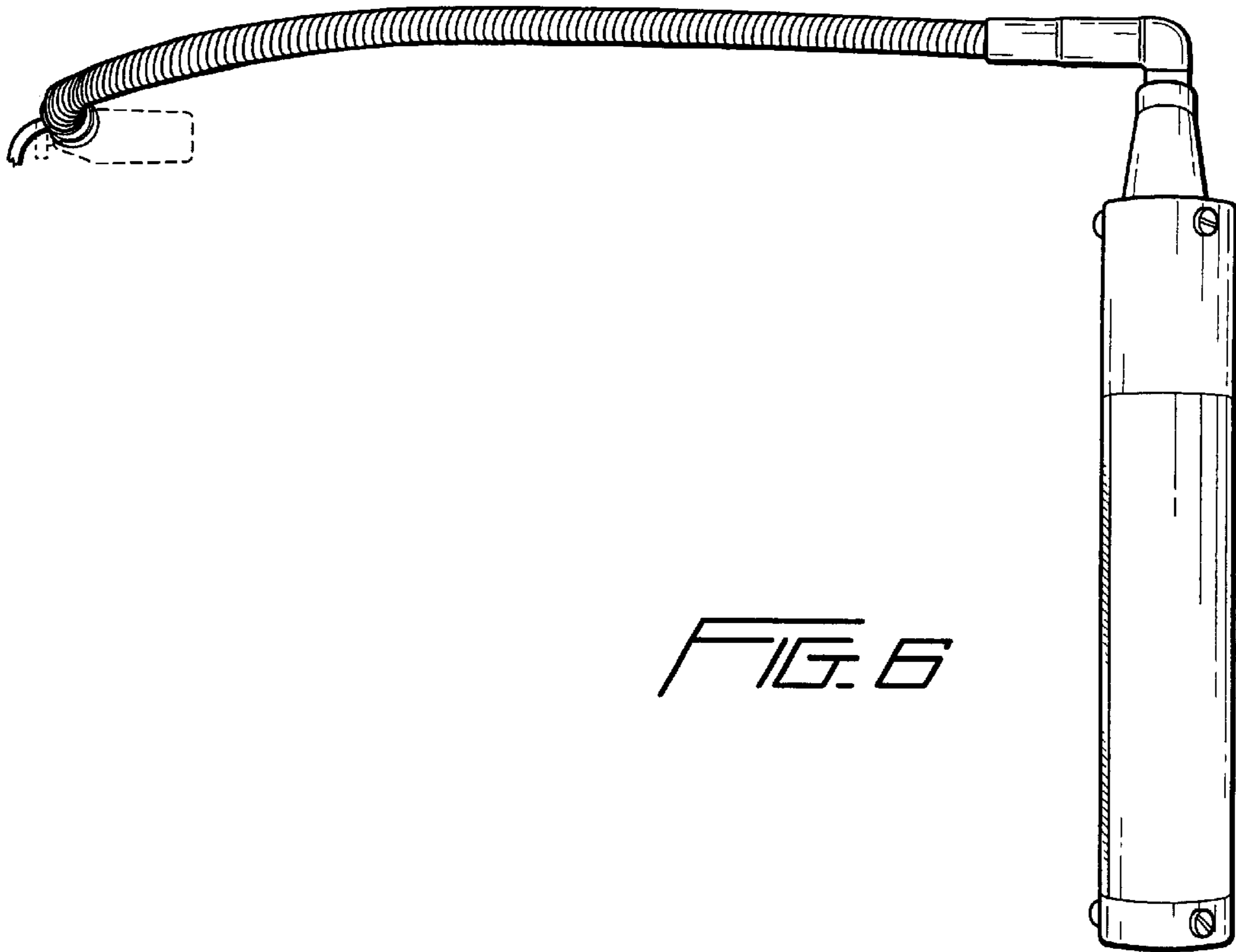


FIG. 6

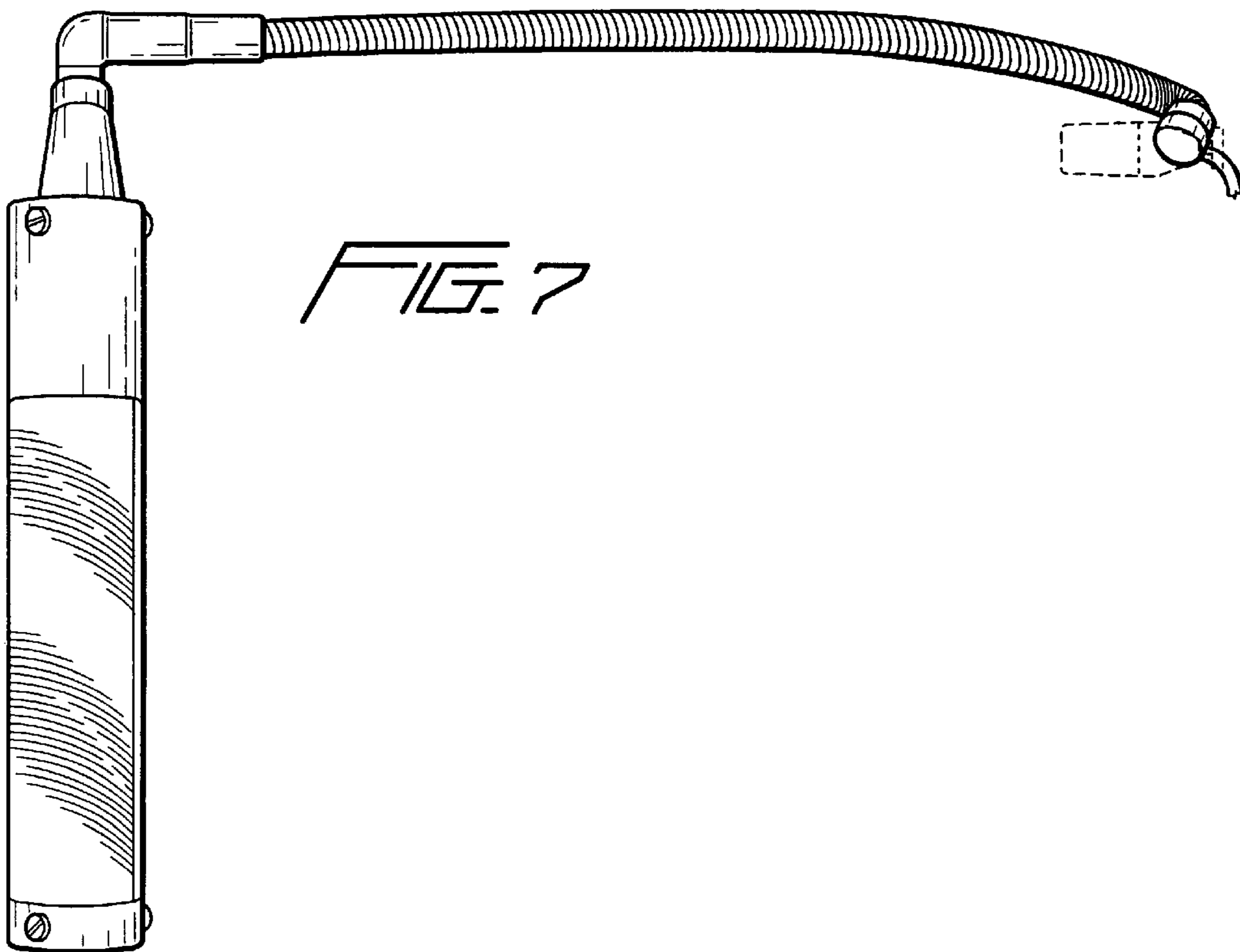


FIG. 7