



US00D525371S

(12) **United States Design Patent**
Levi-Senigaglia

(10) **Patent No.:** **US D525,371 S**
(45) **Date of Patent:** **** Jul. 18, 2006**

(54) **PROFILE FOR SUPPORTING PANELS**

6,341,458 B1 * 1/2002 Burt 52/287.1
D463,043 S * 9/2002 Edger D25/119

(75) Inventor: **Fabio Levi-Senigaglia**, Monza (IT)

* cited by examiner

(73) Assignee: **P.L. S.p.A.** (IT)

Primary Examiner—Doris Clark

(**) Term: **14 Years**

(74) *Attorney, Agent, or Firm*—Cook, Alex, McFarron,
Manzo, Cummings & Mehler, Ltd.

(21) Appl. No.: **29/217,596**

(57) **CLAIM**

(22) Filed: **Nov. 19, 2004**

The ornamental design for a profile for supporting panels, as shown and described.

(30) **Foreign Application Priority Data**

May 25, 2004 (IT) TO2004O0036

DESCRIPTION

(51) **LOC (8) Cl.** **25-01**

FIG. 1 is an enlarged perspective view of the profile for supporting panels showing my new design;

(52) **U.S. Cl.** **D25/119**

FIG. 2 is a rear view thereof;

(58) **Field of Classification Search** 52/244,

FIG. 3 is a top view thereof;

52/280, 281, 287.1, 282.2, 243, 264, 274,

FIG. 4 is a left view thereof;

52/297, 289, 283, 282.1; D25/121

FIG. 5 is a front view thereof;

See application file for complete search history.

FIG. 6 is a right view thereof; and,

FIG. 7 is a bottom view thereof.

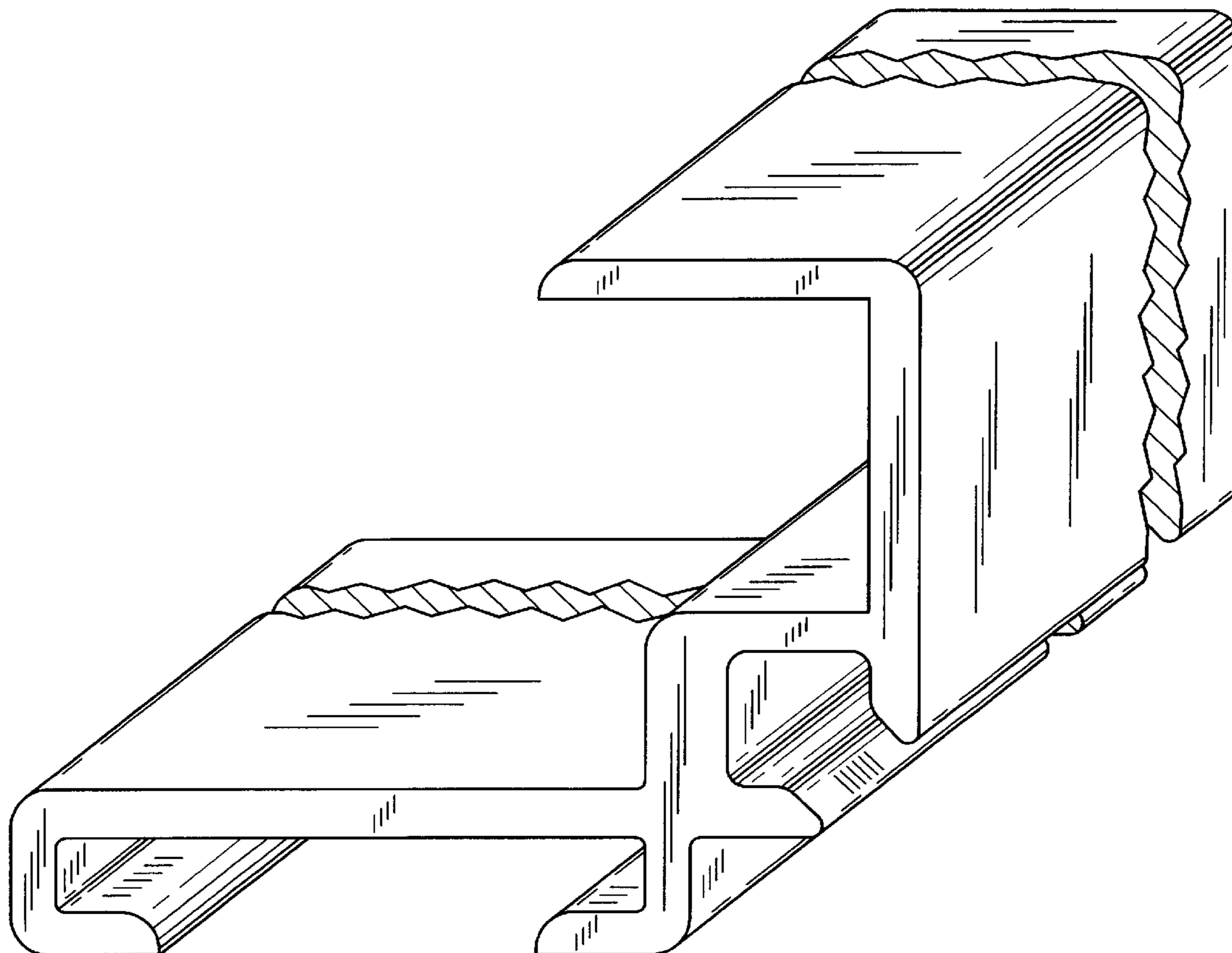
(56) **References Cited**

The claimed design is shown broken to indicate indefinite length.

U.S. PATENT DOCUMENTS

D427,325 S * 6/2000 Ginzl D25/119

1 Claim, 2 Drawing Sheets



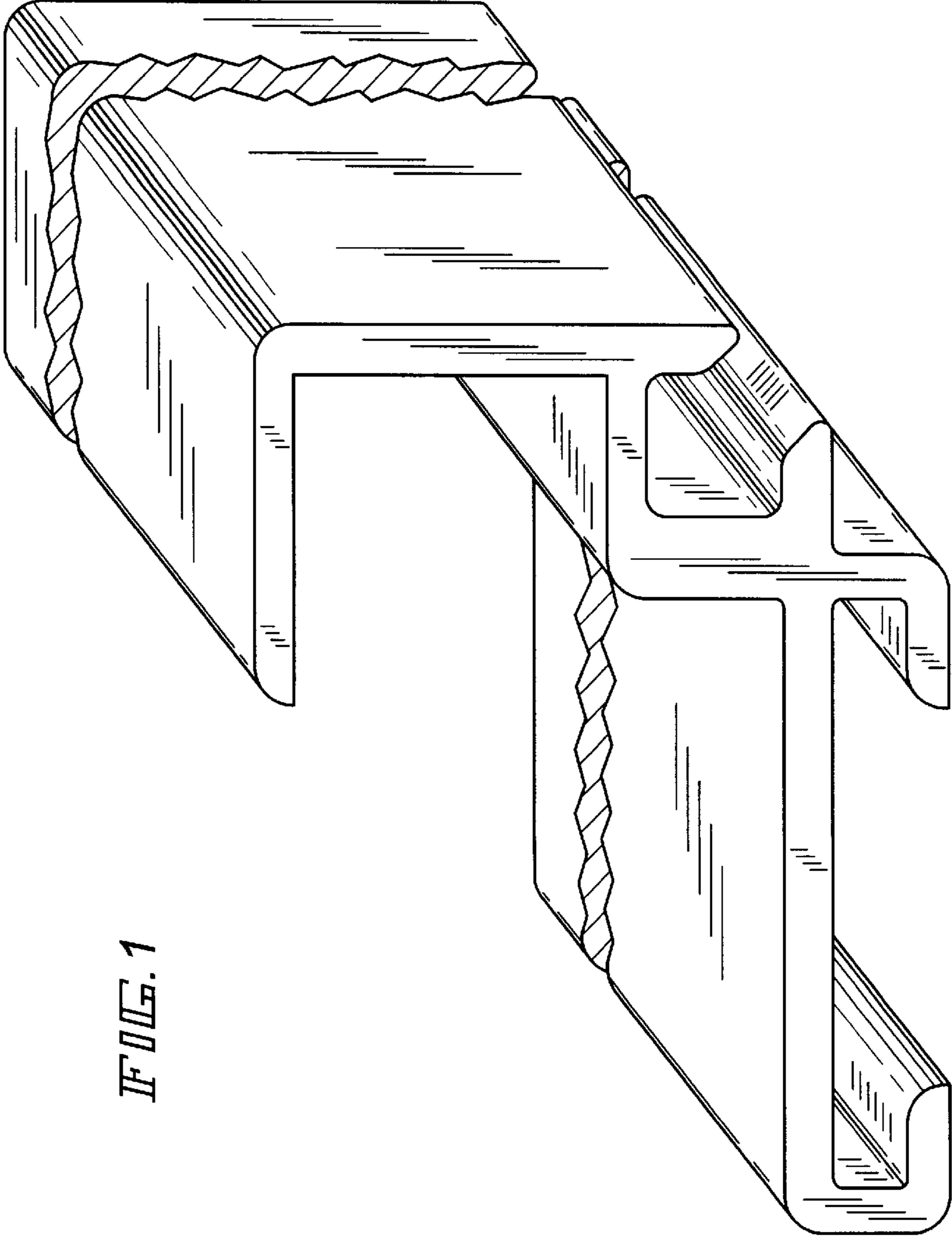


FIG. 1

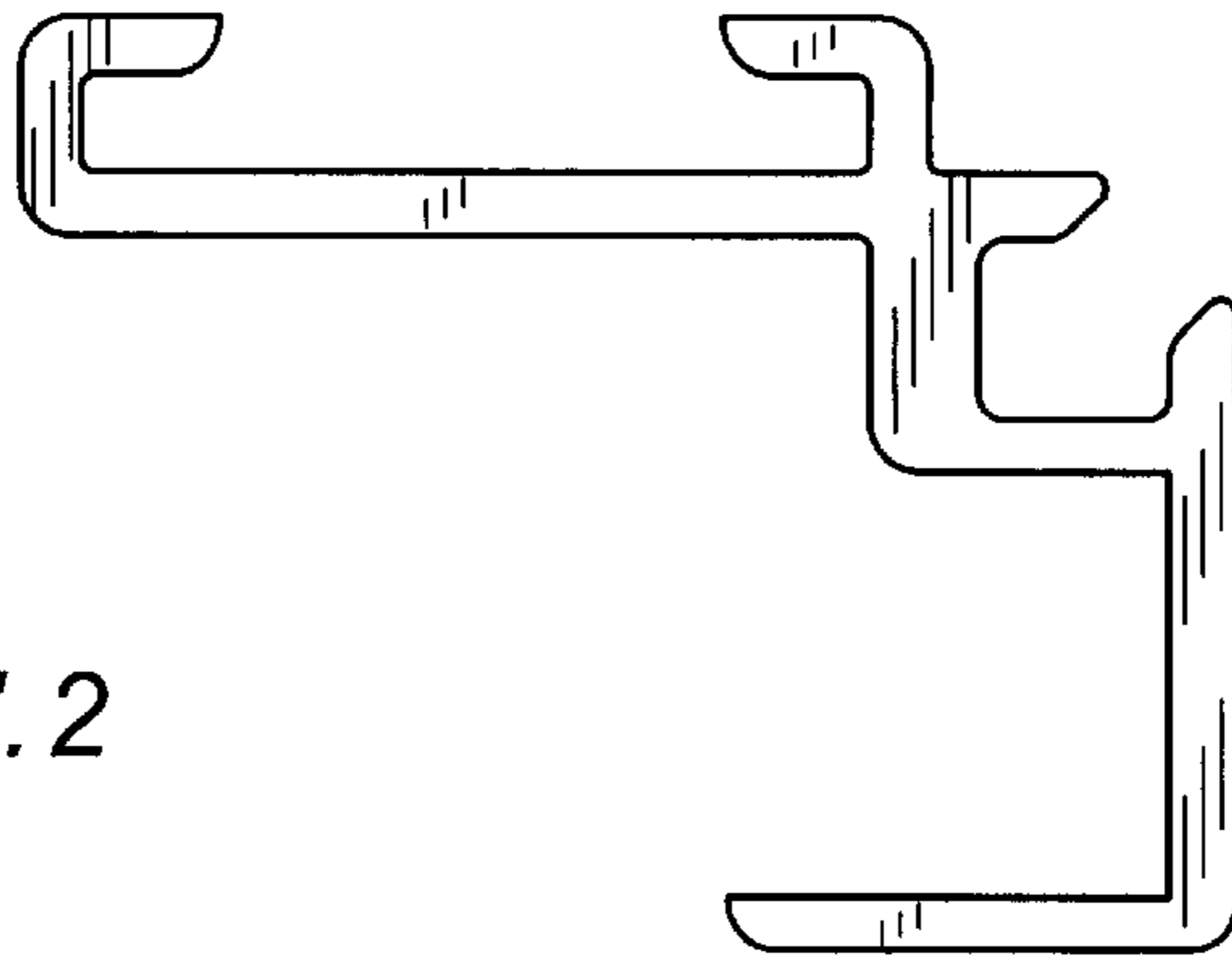


FIG. 2

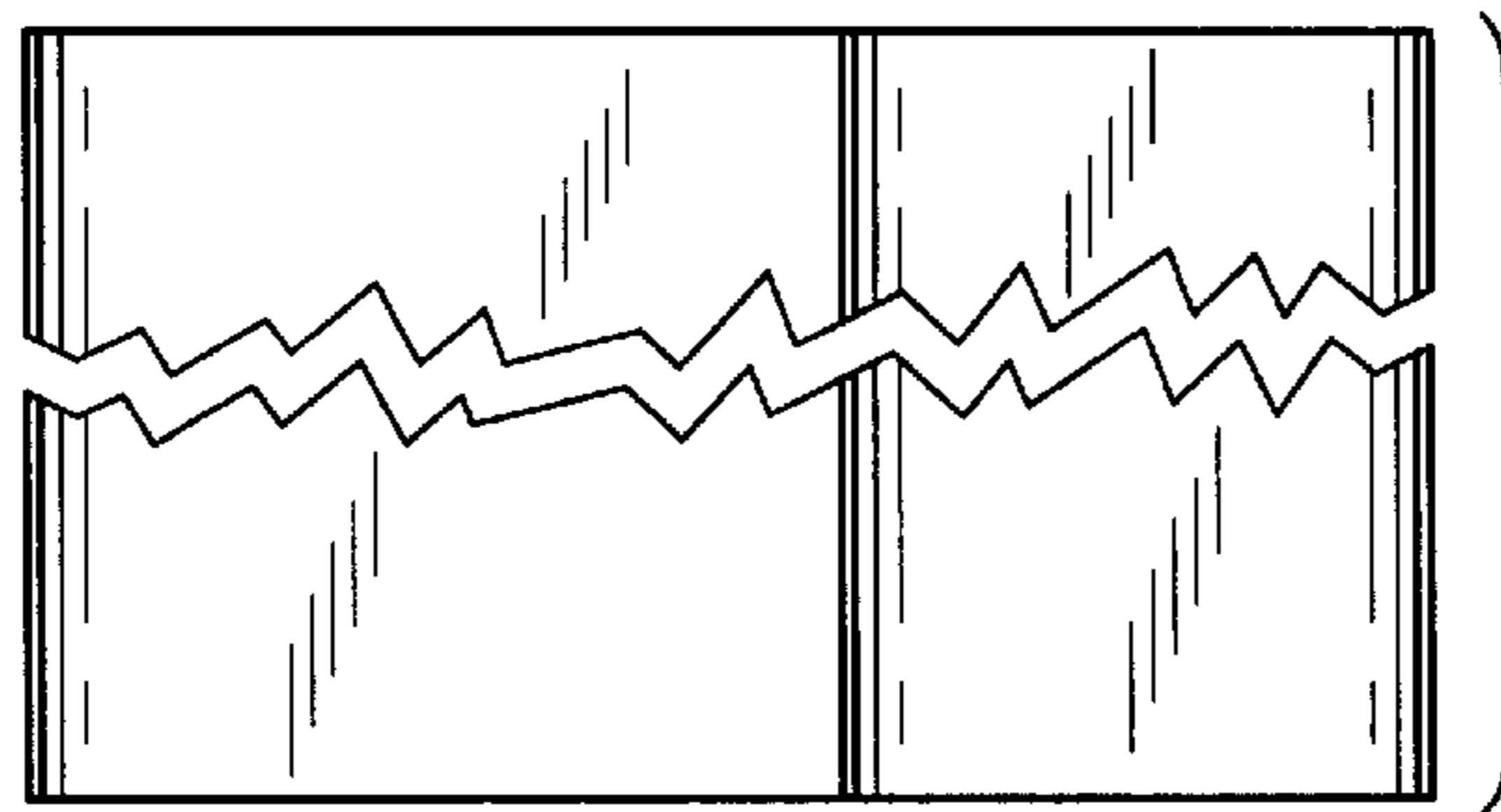


FIG. 3

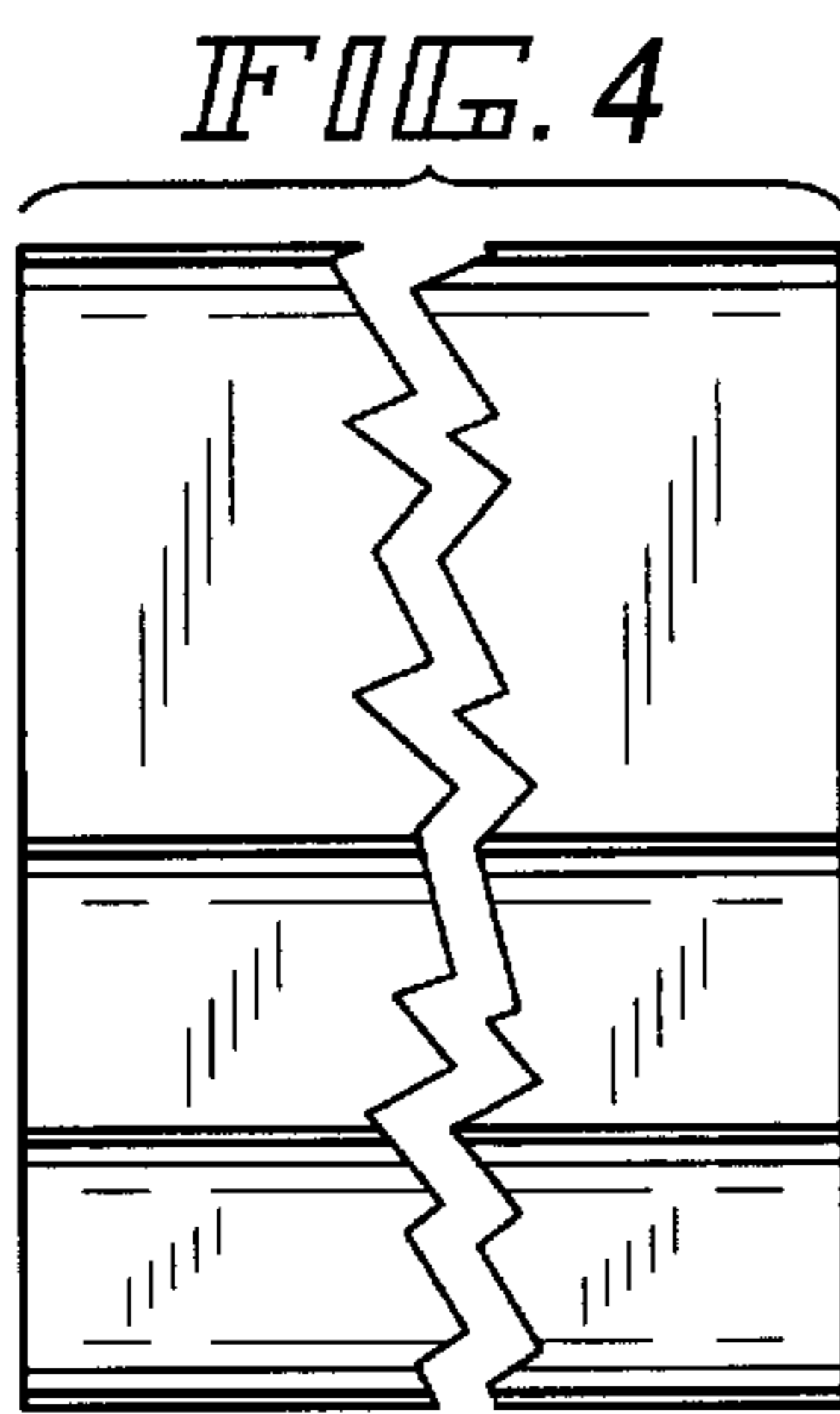


FIG. 4

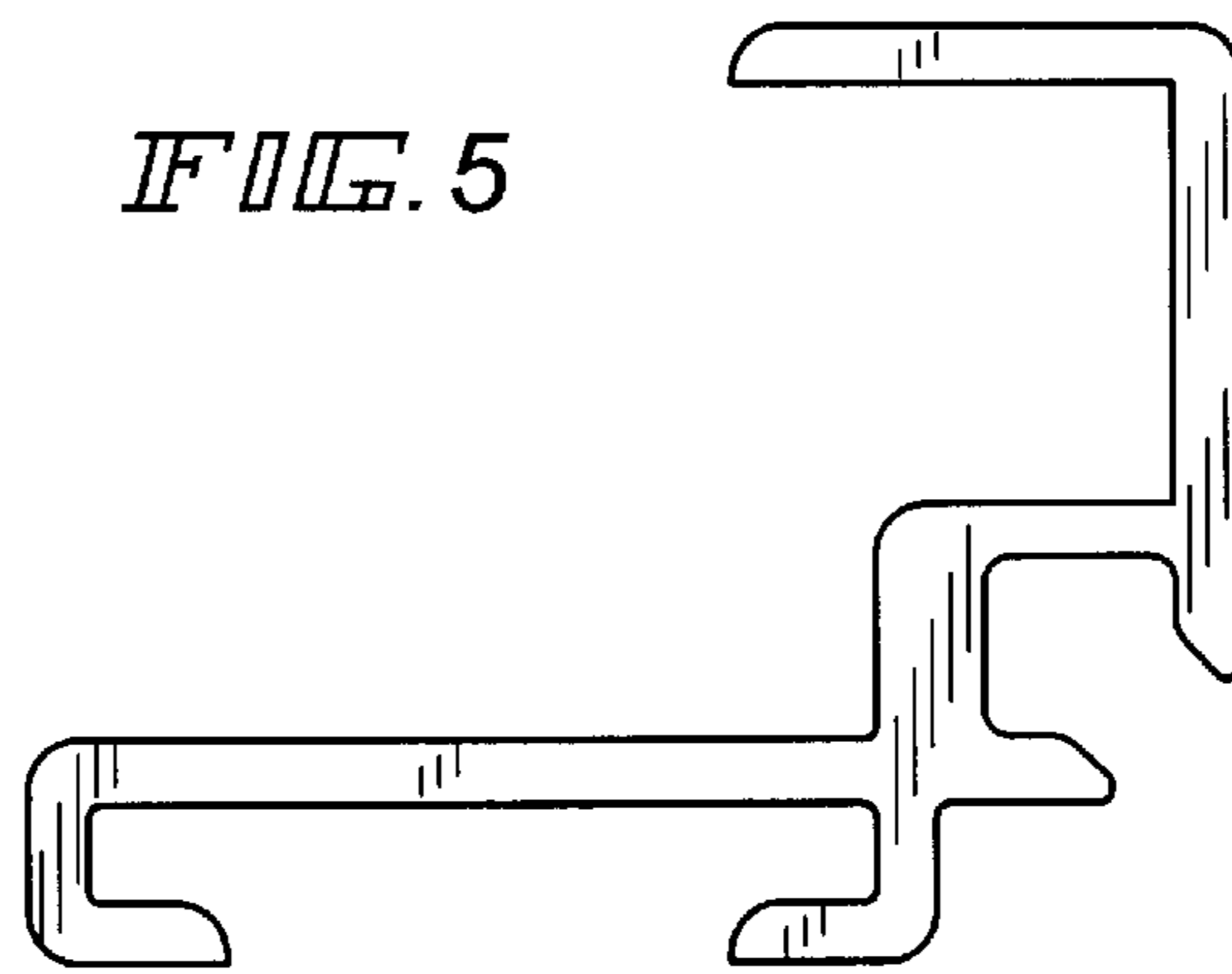


FIG. 5

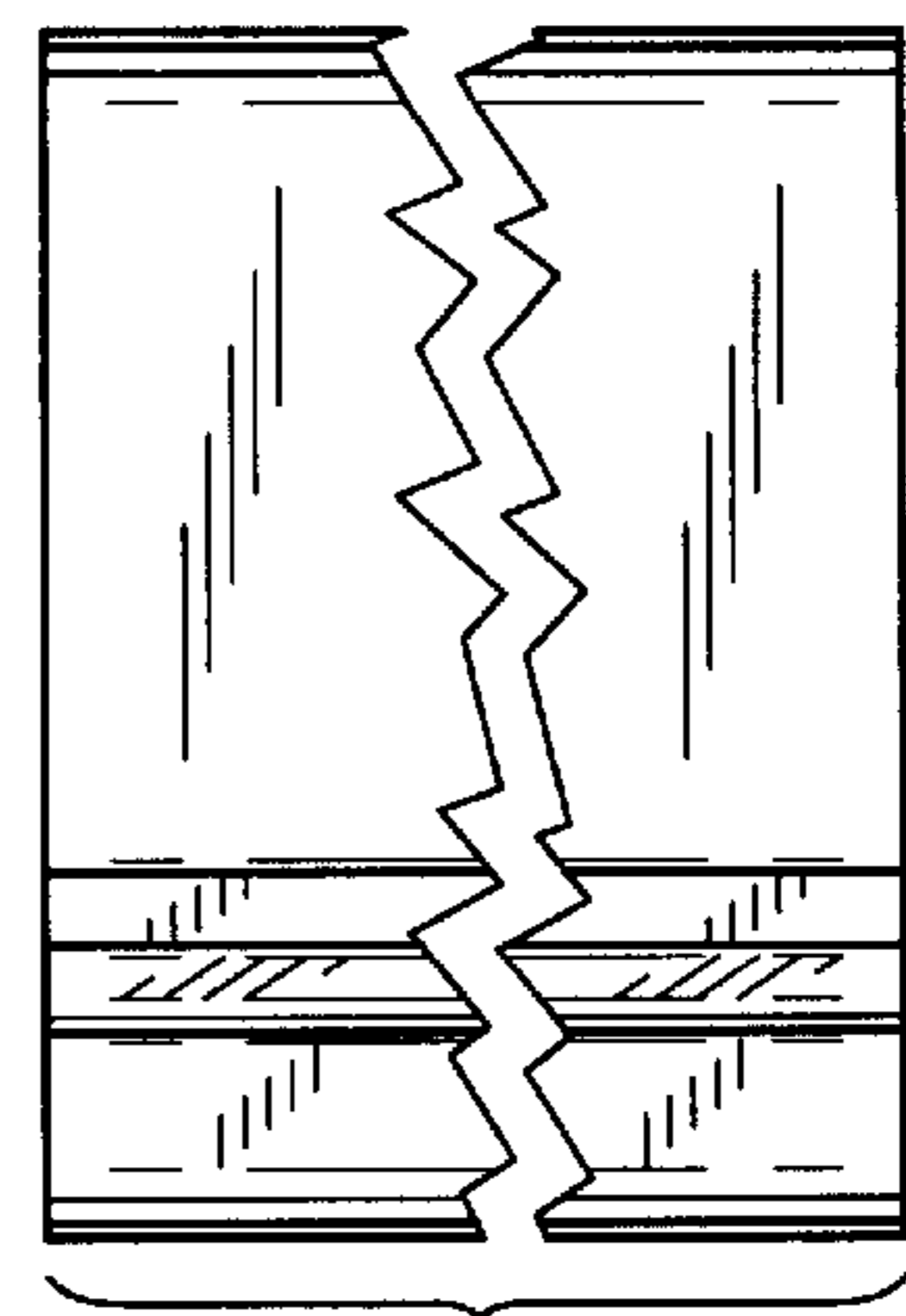


FIG. 6

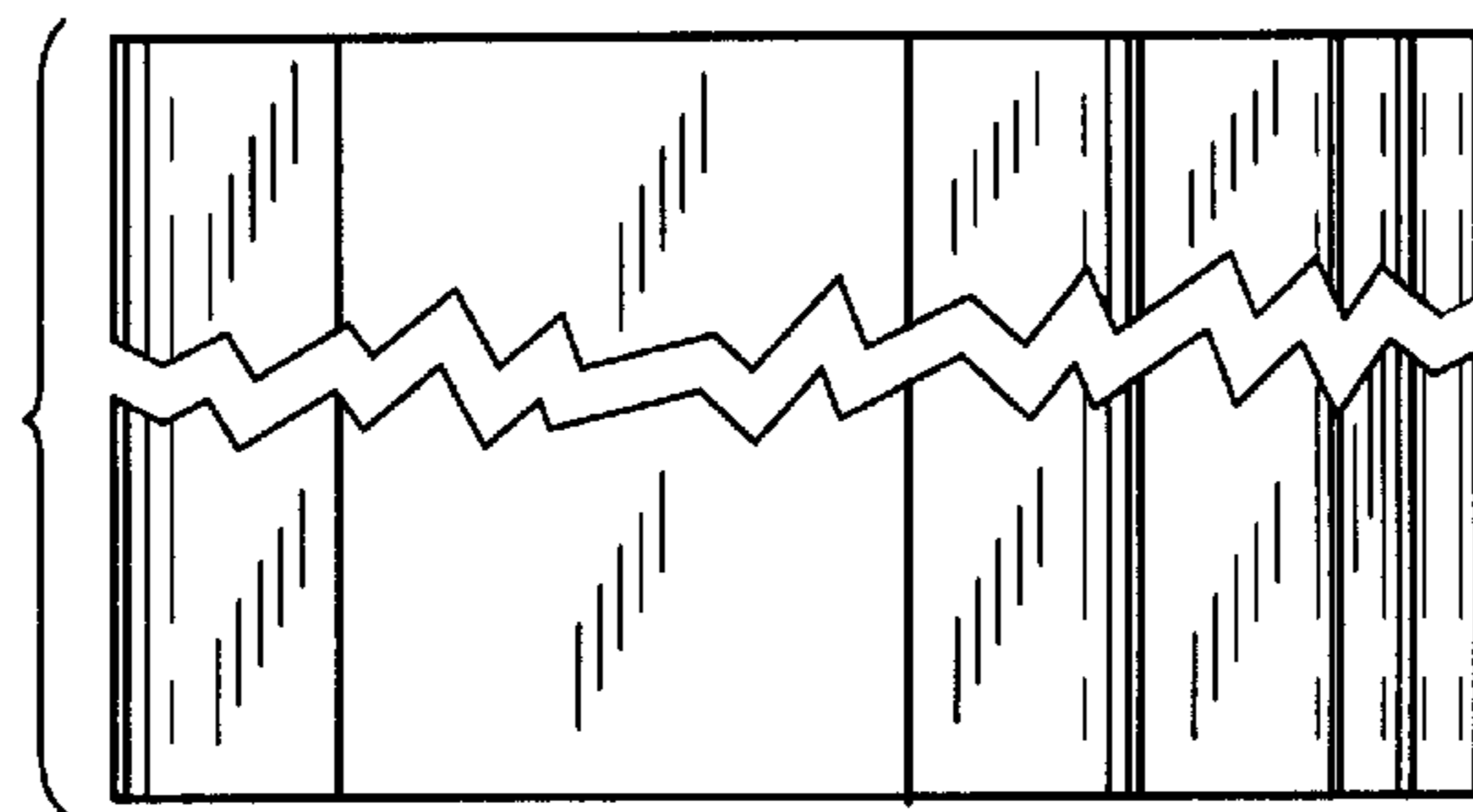


FIG. 7