



US00D525368S

(12) **United States Design Patent**
Clark

(10) **Patent No.:** **US D525,368 S**

(45) **Date of Patent:** **** Jul. 18, 2006**

(54) **WINDOW**

(75) Inventor: **Martin Clark**, Dandenong South (AU)

(73) Assignee: **Camec Pty Ltd.**, Dandenong (AU)

(**) Term: **14 Years**

(21) Appl. No.: **29/201,132**

(22) Filed: **Mar. 11, 2004**

(30) **Foreign Application Priority Data**

Sep. 12, 2003 (AU) 20033138

(51) **LOC (8) Cl.** **25-02**

(52) **U.S. Cl.** **D25/52**

(58) **Field of Classification Search** D25/52;
52/204.1, 204.5; 49/DIG. 2, 501, 502, 197,
49/199, 435; D12/404

See application file for complete search history.

(56) **References Cited**

U.S. PATENT DOCUMENTS

D349,268 S * 8/1994 Jones D12/183

5,461,828 A * 10/1995 Jordal 49/90.1

6,425,215 B1 * 7/2002 Farrar 52/204.5

D489,673 S * 5/2004 Block D12/404

* cited by examiner

Primary Examiner—Doris Clark

(74) *Attorney, Agent, or Firm*—Roylance, Abrams, Berdo & Goodman, L.L.P.

(57) **CLAIM**

The ornamental design for a window, as shown and described.

DESCRIPTION

FIG. 1 is an interior perspective view thereof with the window open;

FIG. 2 is an interior perspective view thereof with the window closed;

FIG. 3 is an exterior perspective view thereof;

FIG. 4 is an exterior face view thereof;

FIG. 5 is an interior face view thereof;

FIG. 6 is a top view thereof;

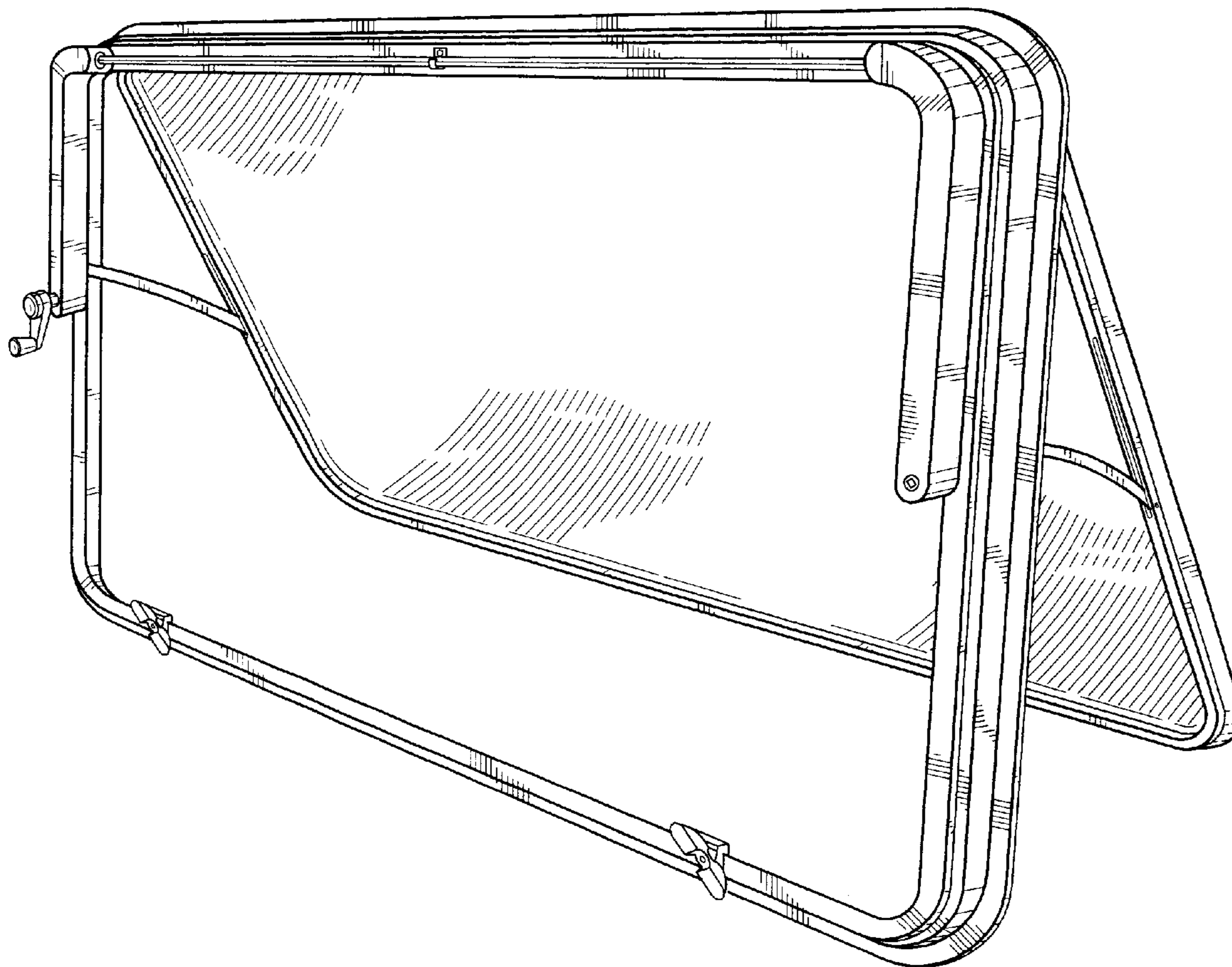
FIG. 7 is a bottom view thereof;

FIG. 8 is a side view thereof; and,

FIG. 9 is the other side view thereof.

The window is indeterminate in width and length.

1 Claim, 8 Drawing Sheets



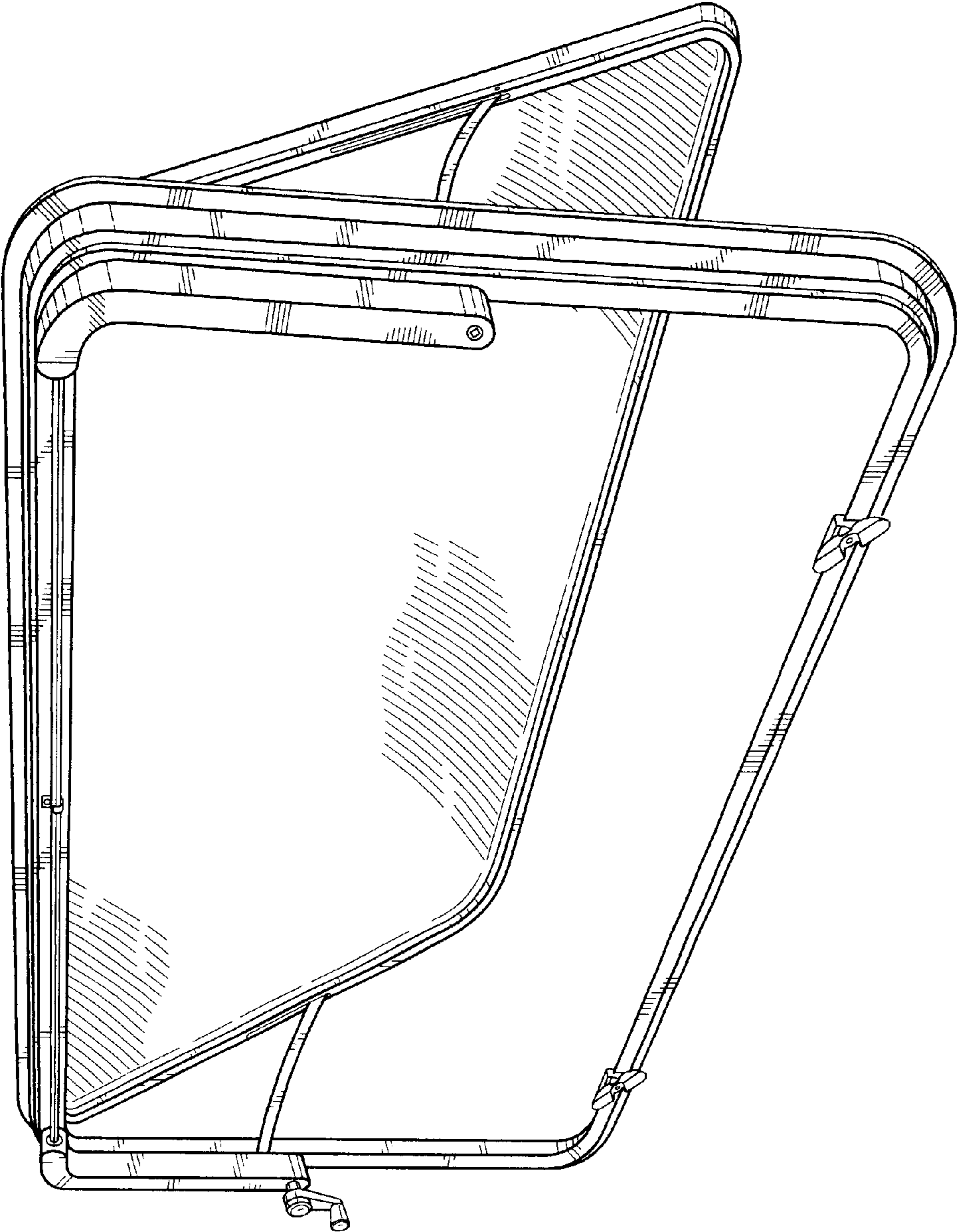


FIG. 1

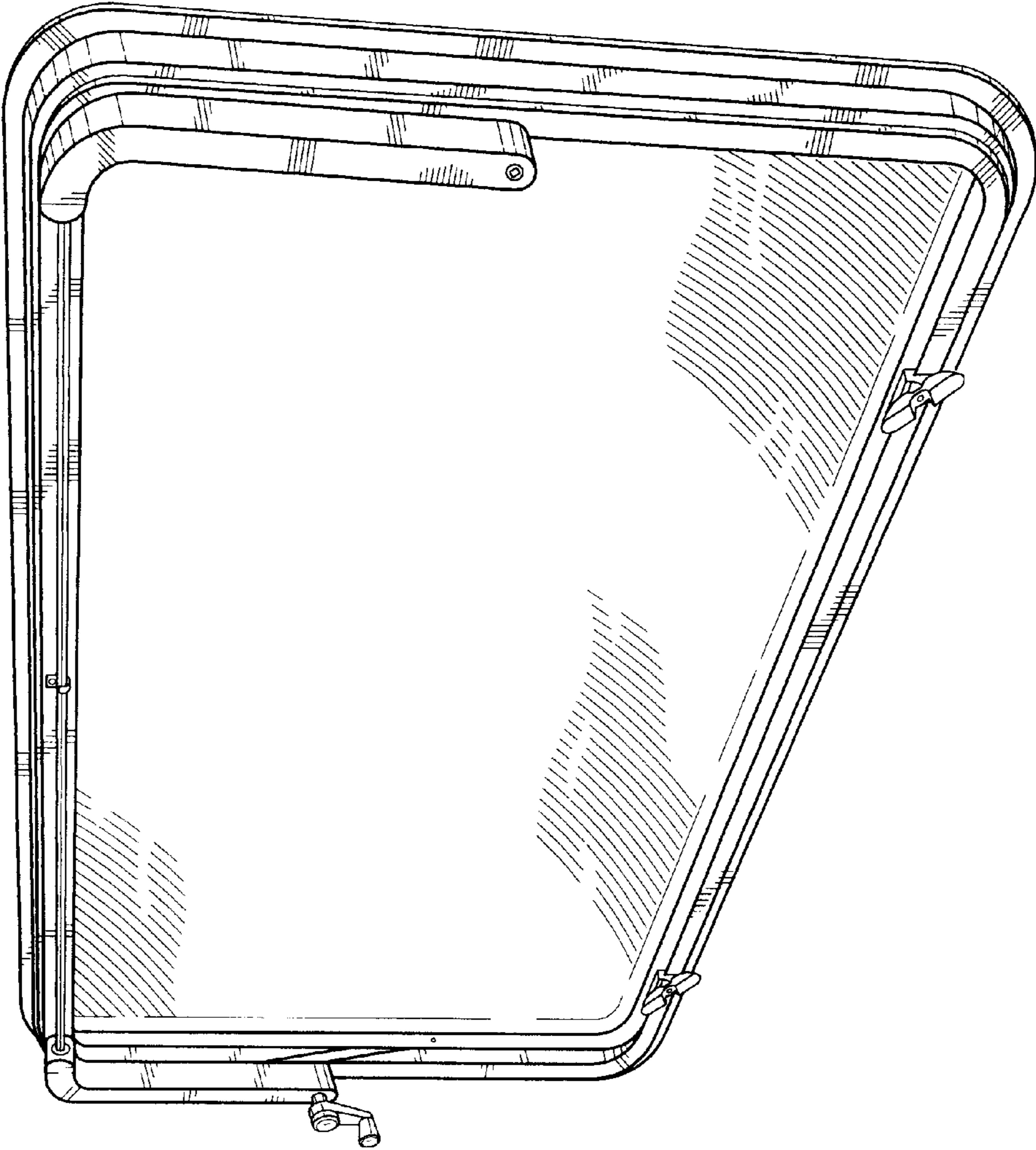


FIG. 2

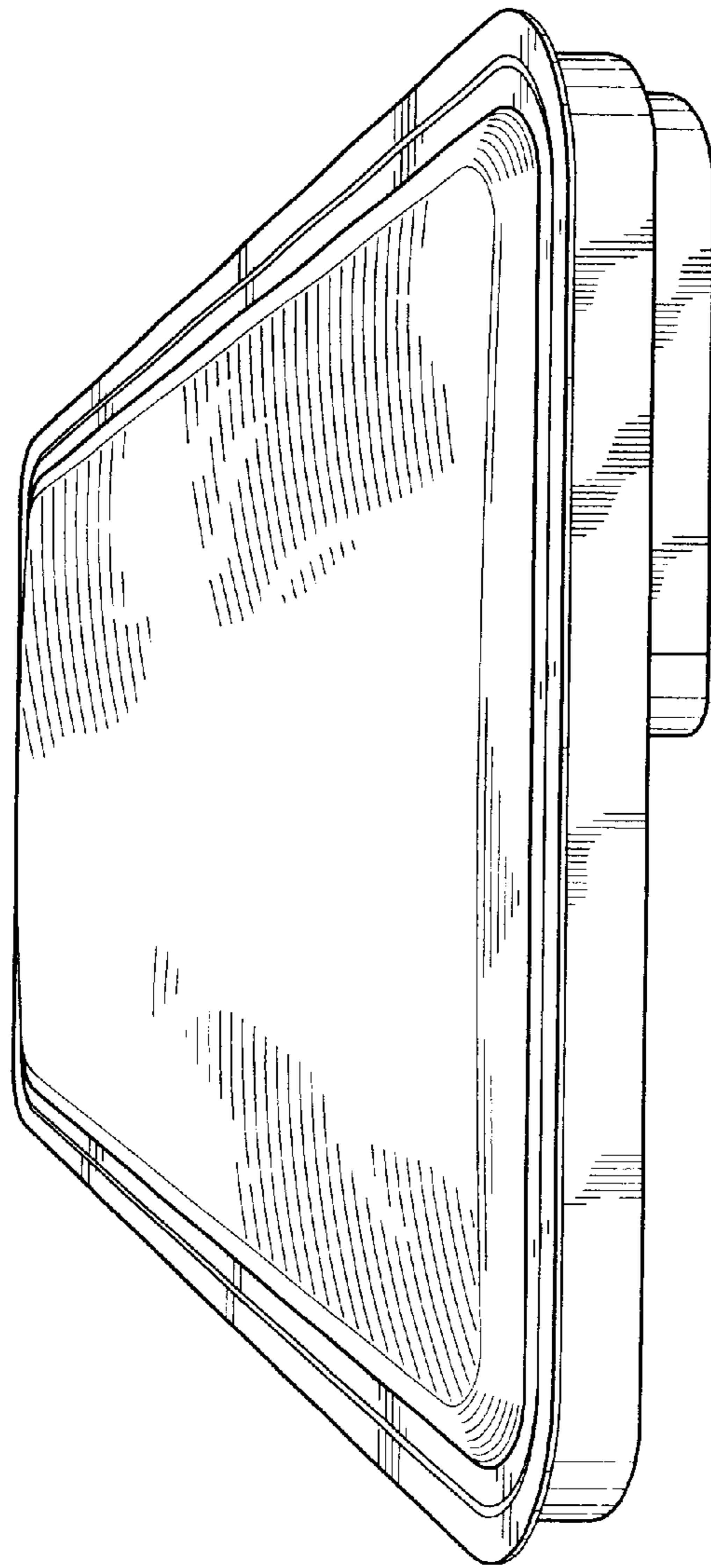


FIG. 3

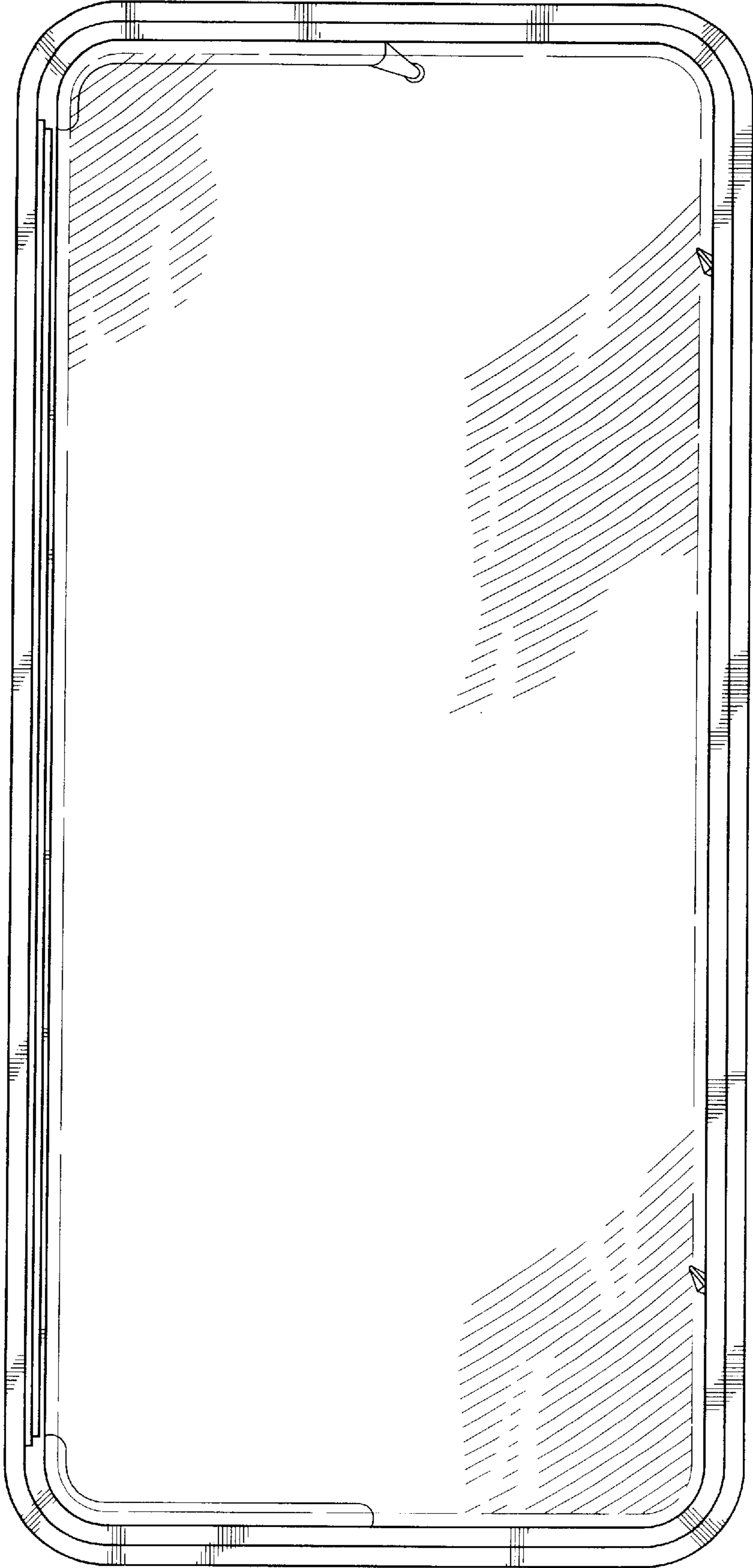


FIG. 4

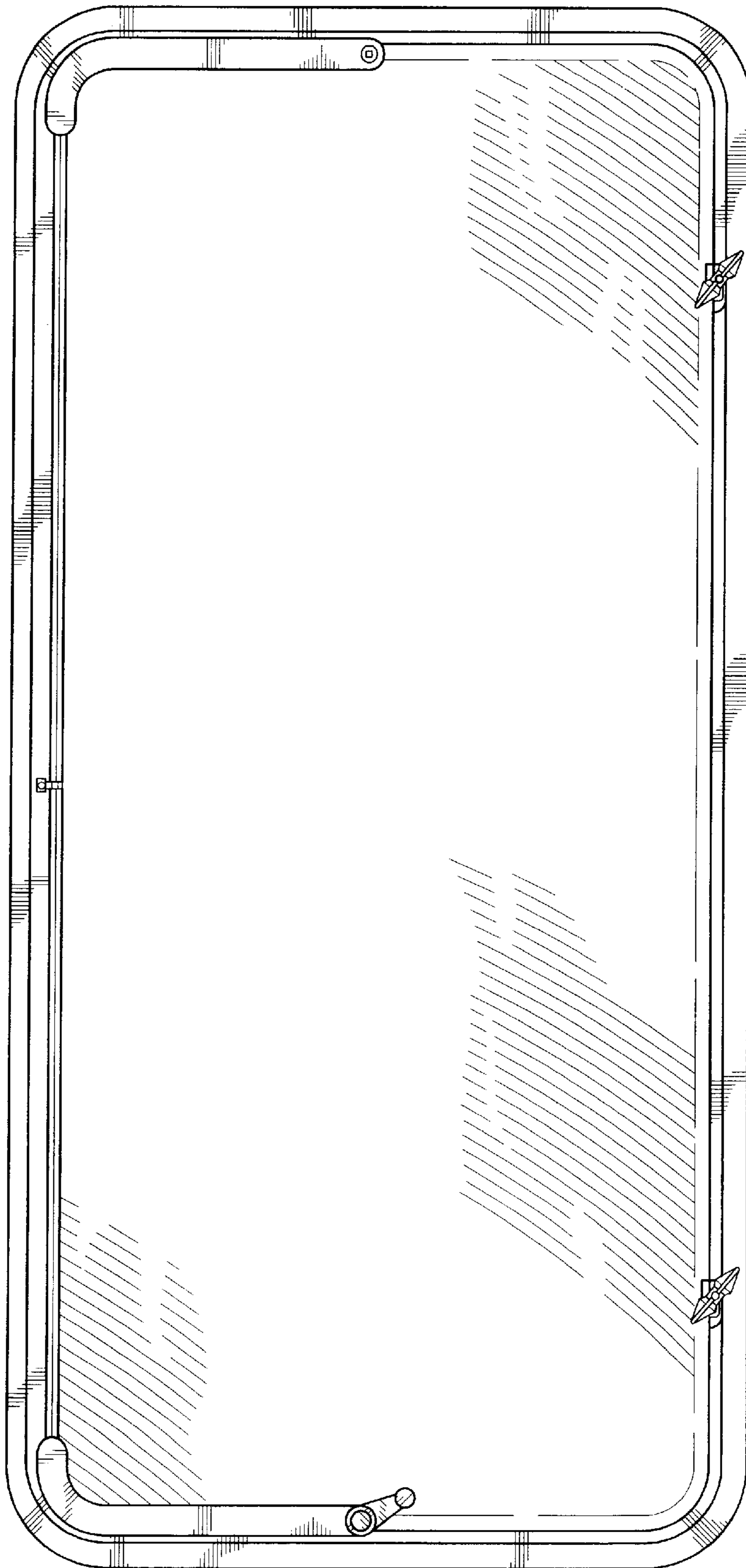


FIG. 5

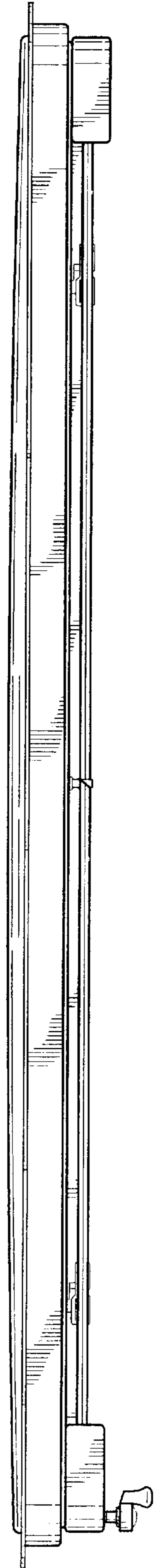


FIG. 6

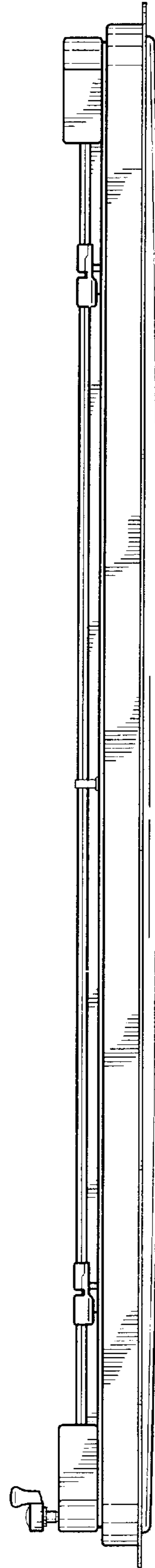


FIG. 7

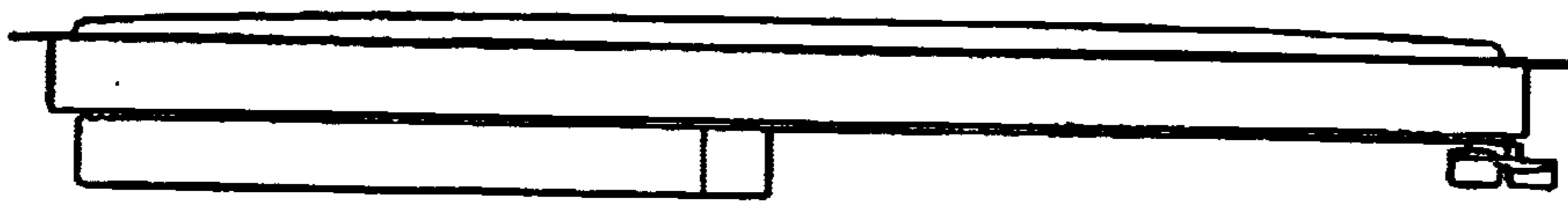


Fig. 8

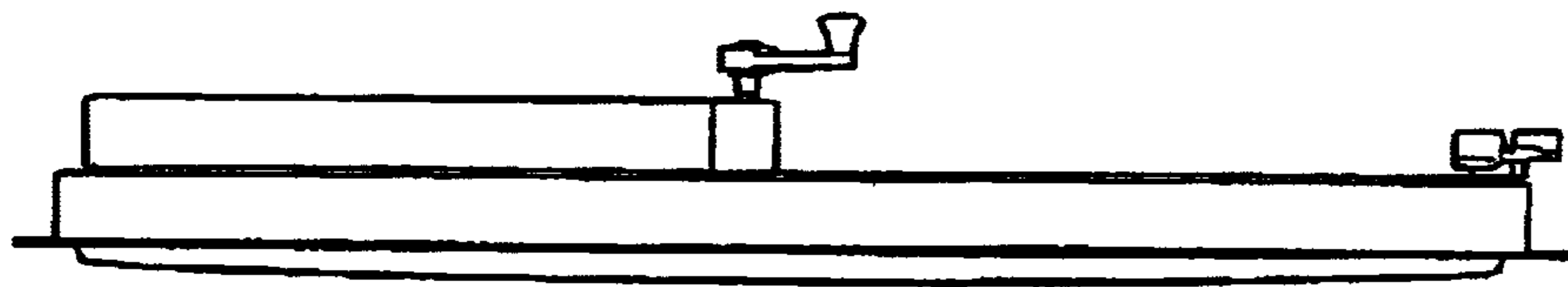


Fig. 9