



US00D525360S

(12) **United States Design Patent**
Nakamura

(10) **Patent No.:** **US D525,360 S**
(45) **Date of Patent:** **** Jul. 18, 2006**

(54) **STETHOSCOPE HEAD**

(75) Inventor: **Shoichi Nakamura**, Saitama (JP)

(73) Assignee: **ACP Japan Co., Ltd.**, Tokyo (JP)

(**) Term: **14 Years**

(21) Appl. No.: **29/218,470**

(22) Filed: **Dec. 3, 2004**

(30) **Foreign Application Priority Data**

Jun. 9, 2004 (JP) 2004-017077

(51) **LOC (8) Cl.** **24-02**

(52) **U.S. Cl.** **D24/134**

(58) **Field of Classification Search** D24/134;
181/131, 132, 133, 137; 381/67, 95
See application file for complete search history.

(56) **References Cited**

U.S. PATENT DOCUMENTS

872,448 A * 12/1907 Penhallow 181/131

1,173,286 A * 2/1916 Leyer 181/133
D230,212 S * 1/1974 Hart D24/134
D353,196 S * 12/1994 Savage et al. D24/134
2003/0047376 A1 * 3/2003 Oster et al. 181/131

* cited by examiner

Primary Examiner—Ian Simmons

Assistant Examiner—Christopher Lee

(74) *Attorney, Agent, or Firm*—Manabu Kanesaka

(57) **CLAIM**

The ornamental design for a stethoscope head, as shown and described.

DESCRIPTION

FIG. 1 is a plan view of a stethoscope head showing my new design;

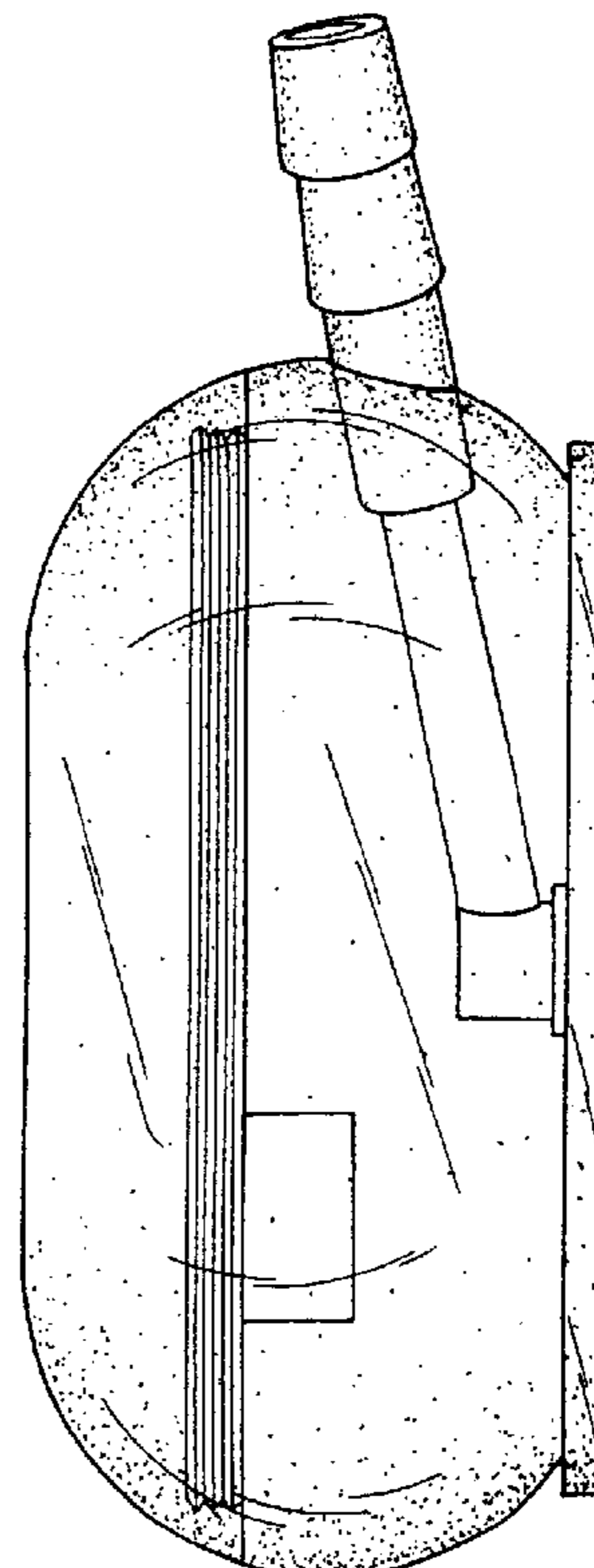
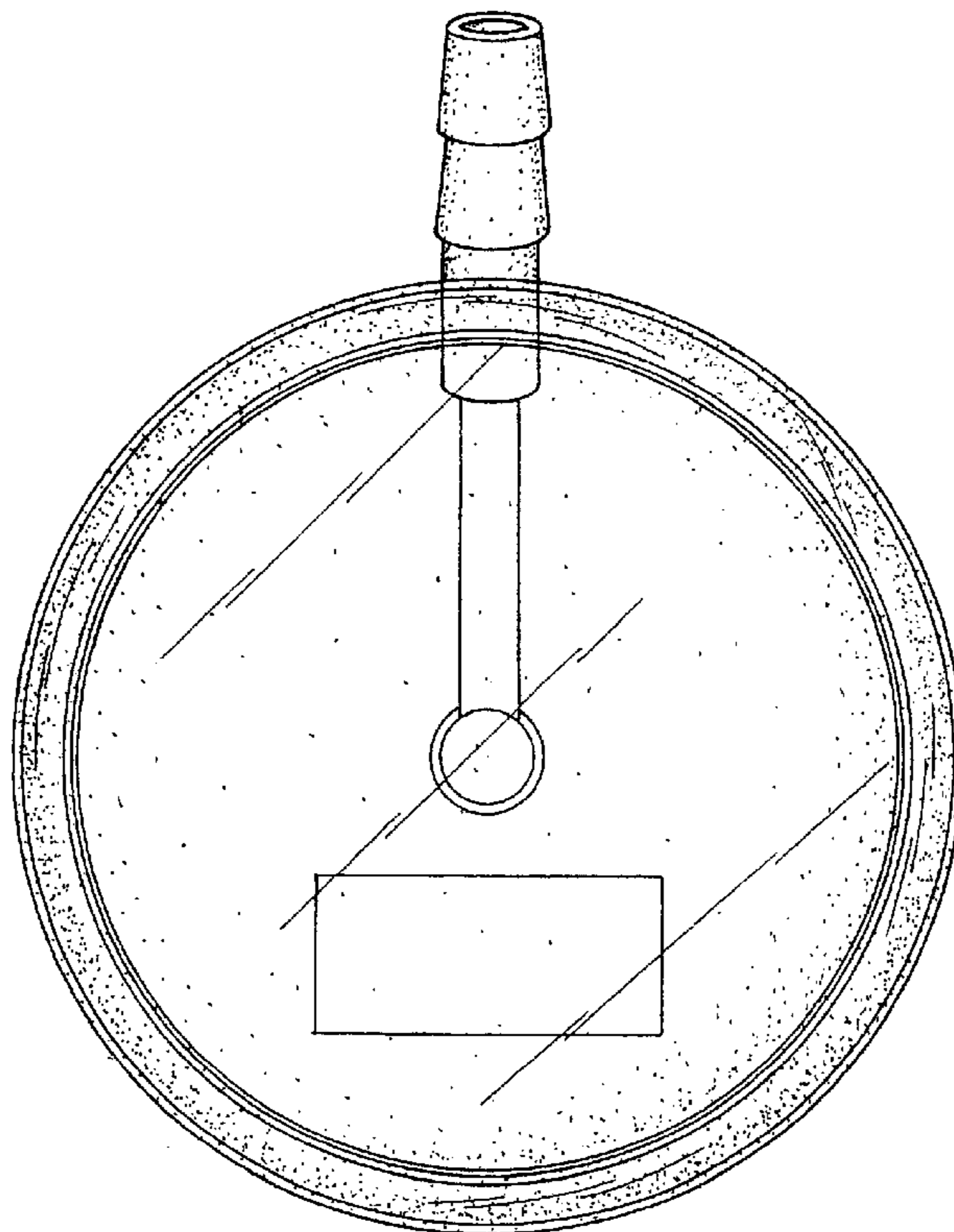
FIG. 2 is a front view thereof;

FIG. 3 is a right side view thereof, a left side view being symmetrical to the right side view;

FIG. 4 is a rear view thereof; and,

FIG. 5 is a bottom view thereof.

1 Claim, 2 Drawing Sheets



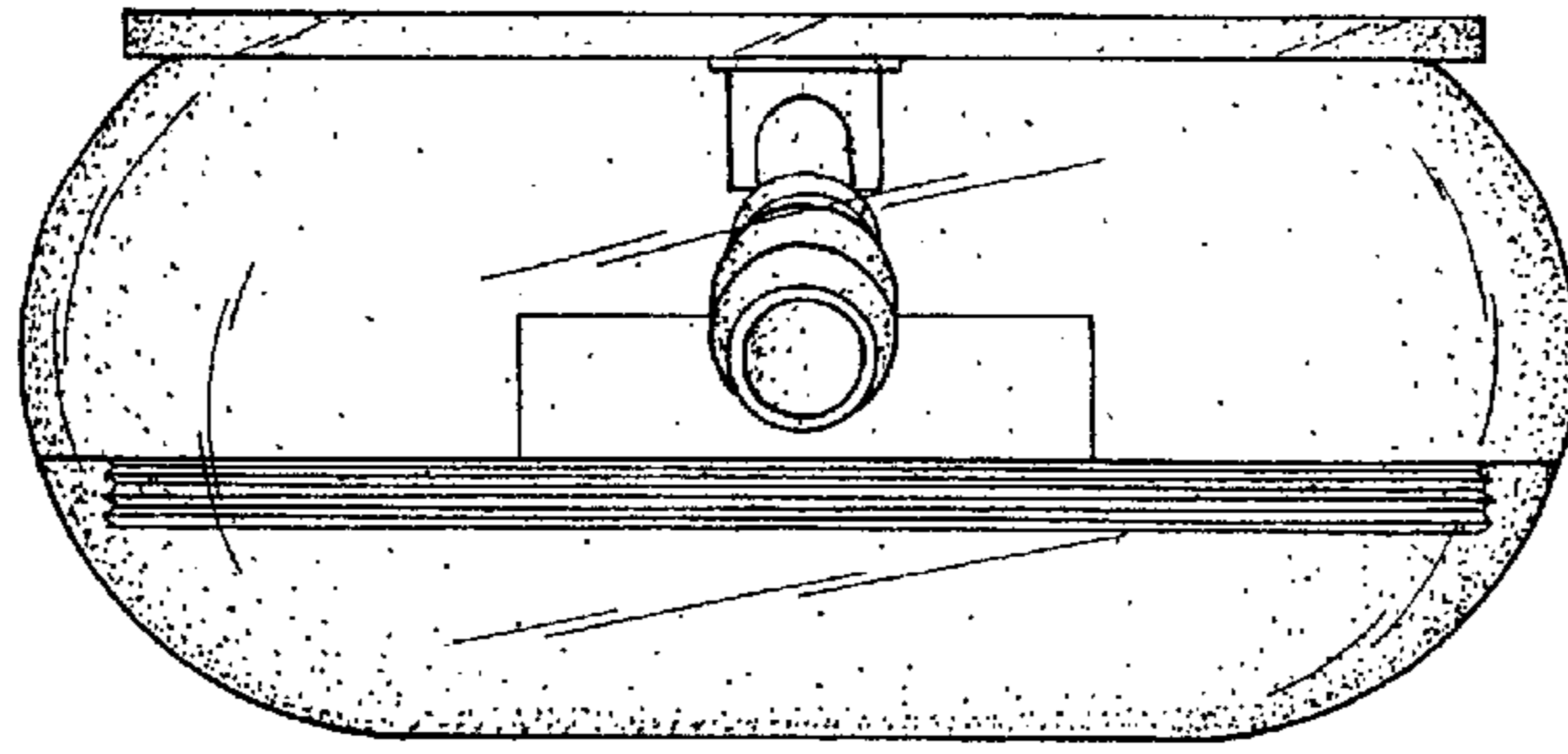


Fig. 1

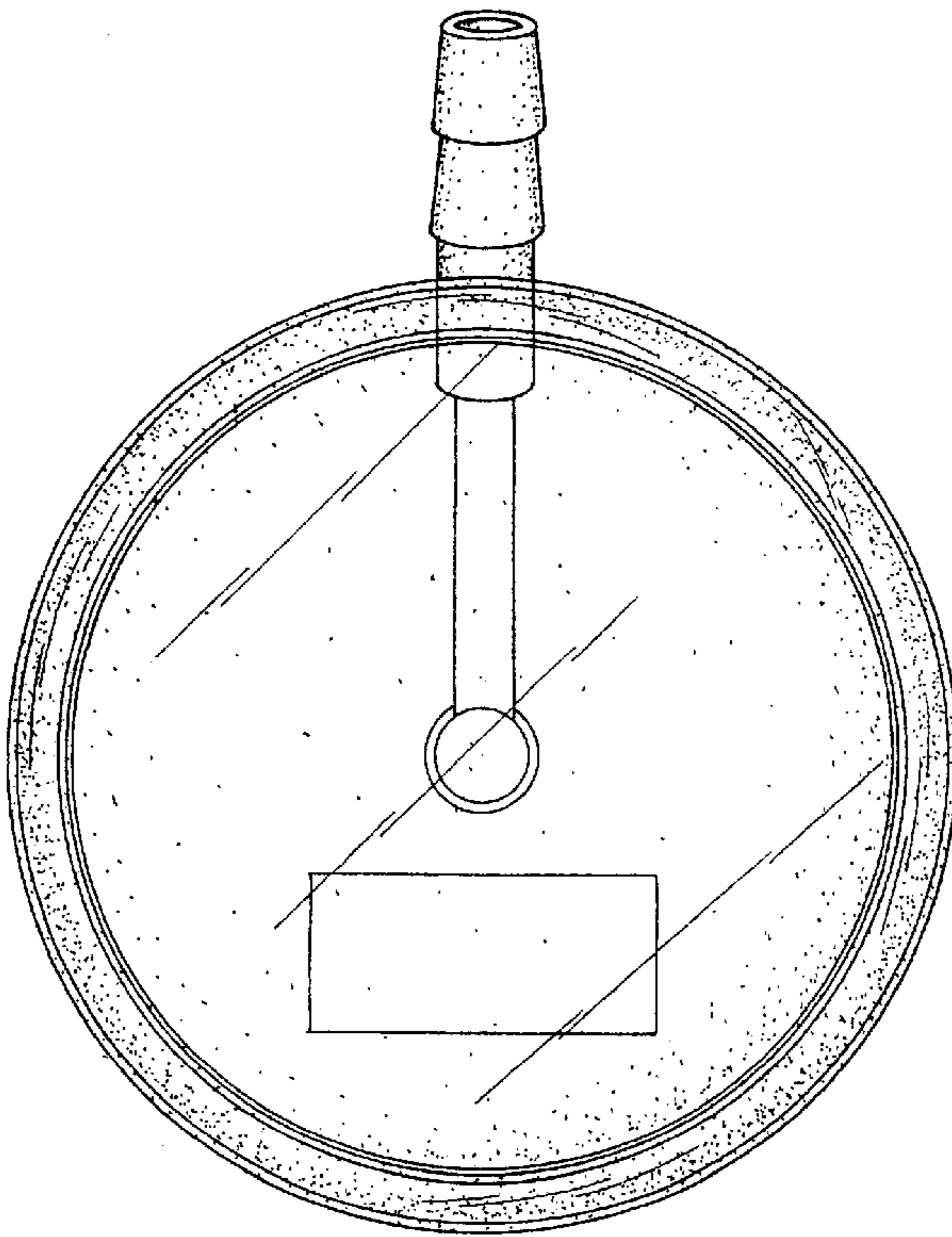


Fig. 2

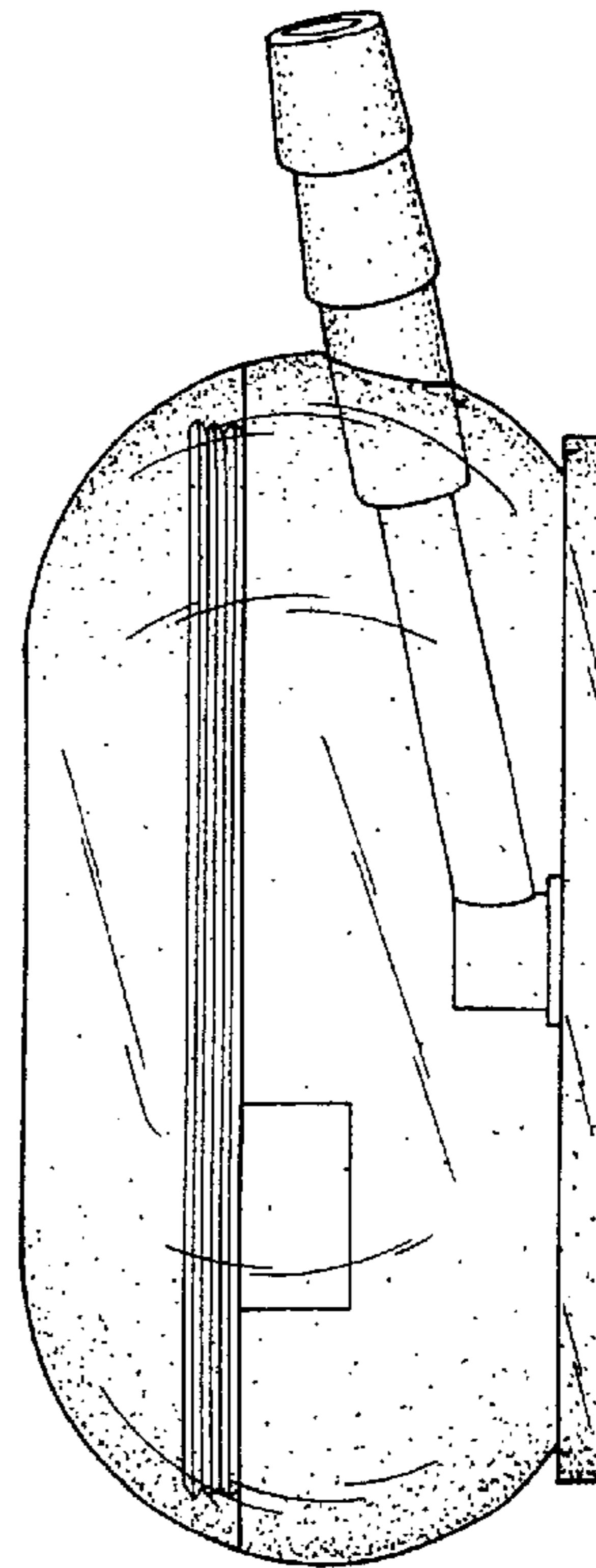


Fig. 3

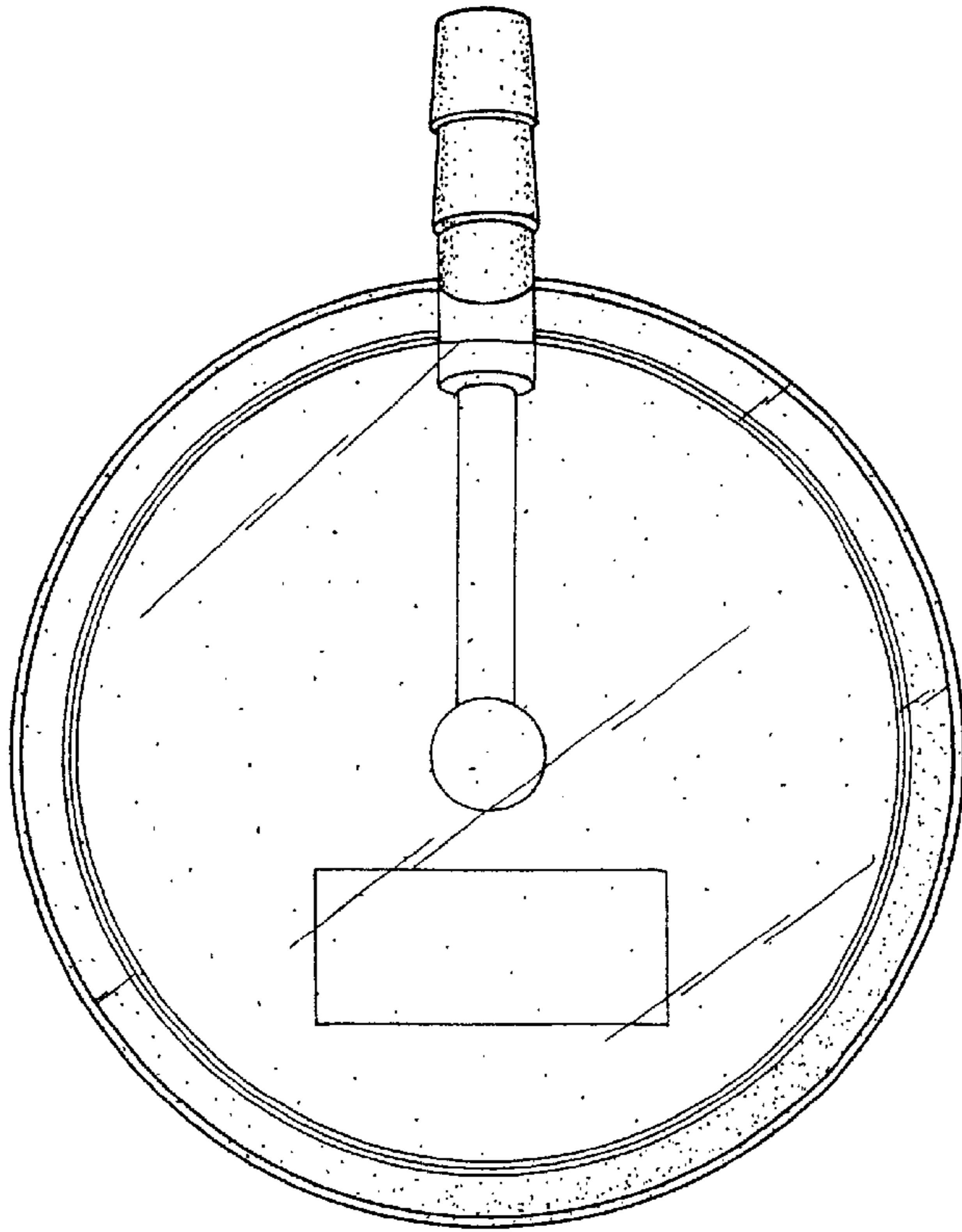


Fig. 4

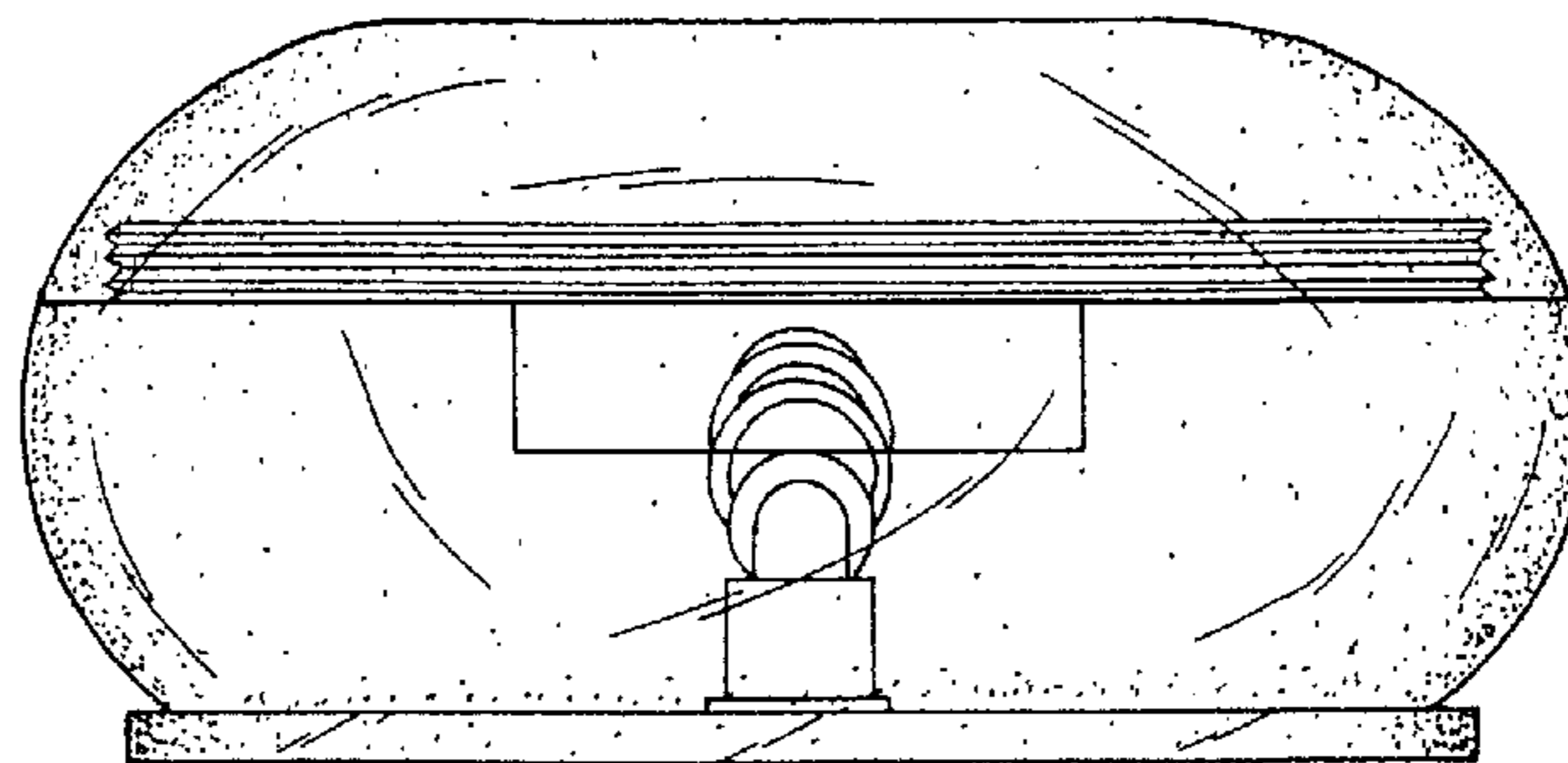


Fig. 5