



US00D525355S

(12) **United States Design Patent**  
**Hidalgo**

(10) **Patent No.:** **US D525,355 S**

(45) **Date of Patent:** **\*\* Jul. 18, 2006**

(54) **CEILING FAN BLADE IRON**

(75) Inventor: **Rolando Hidalgo**, Orange, CA (US)

(73) Assignee: **Minka Lighting, Inc.**, Corona, CA (US)

(\*\*) Term: **14 Years**

(21) Appl. No.: **29/215,825**

(22) Filed: **Oct. 25, 2004**

(51) **LOC (8) Cl.** ..... **23-04**

(52) **U.S. Cl.** ..... **D23/411**

(58) **Field of Classification Search** ..... D23/411,  
D23/379, 385; 416/5

See application file for complete search history.

(56) **References Cited**

**U.S. PATENT DOCUMENTS**

D376,004 S \* 11/1996 Tsuji ..... D23/377

**OTHER PUBLICATIONS**

The Art of Air Management—Minka Aire 2004; Minka Lighting, Inc. U.S.A.; Belcaro Model; Jan. 2004; pp. 44–45.

\* cited by examiner

*Primary Examiner*—Lisa Lichtenstein

(74) *Attorney, Agent, or Firm*—Baker & McKenzie LLP

(57) **CLAIM**

The ornamental design for the ceiling fan blade iron, as shown and described.

**DESCRIPTION**

FIG. 1 is a perspective view from below of a ceiling fan blade iron in accordance with my design, including the environment thereof;

FIG. 2 is an enlarged bottom plan view of the ceiling fan blade iron in accordance with my design, including the environment thereof;

FIG. 3 is a greatly enlarged distal view of the ceiling fan blade iron in accordance with my design;

FIG. 4 is a greatly enlarged proximal view of the ceiling fan blade iron in accordance with my design;

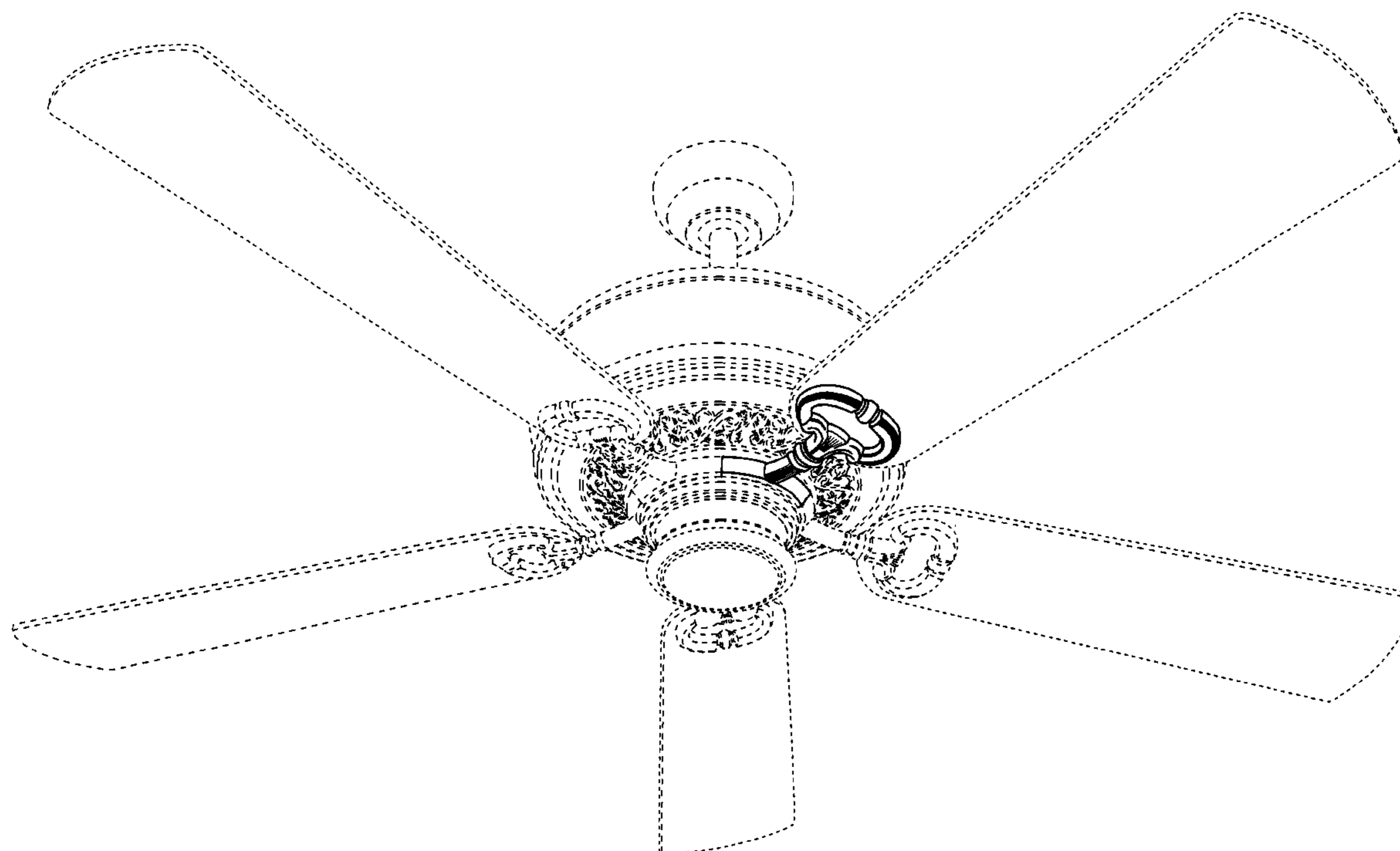
FIG. 5 is a greatly enlarged top plan view of the ceiling fan blade iron in accordance with my design;

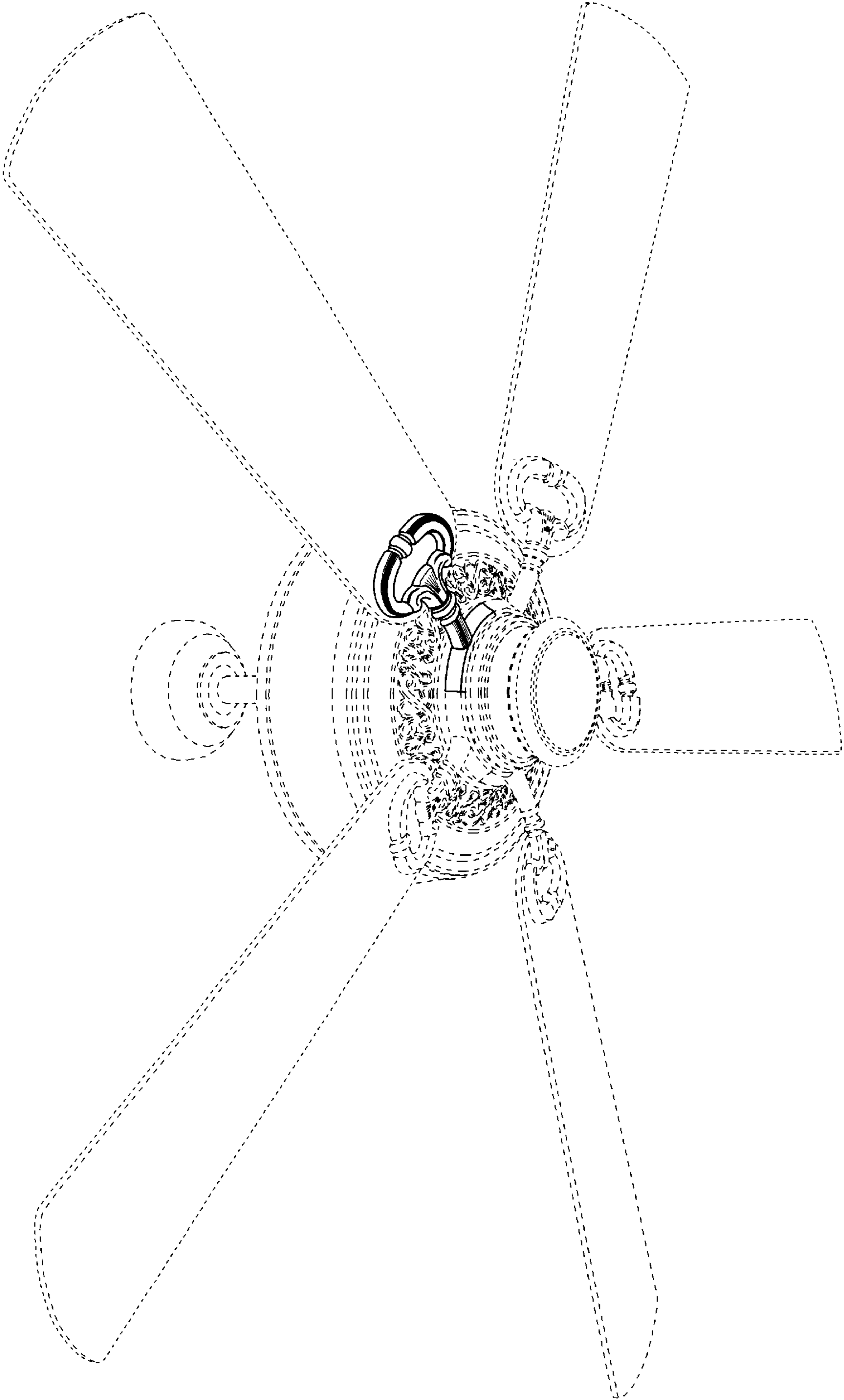
FIG. 6 is a greatly enlarged bottom plan view of the ceiling fan blade iron in accordance with my design; and,

FIG. 7 is a greatly enlarged side perspective view of the ceiling fan blade iron in accordance with my design.

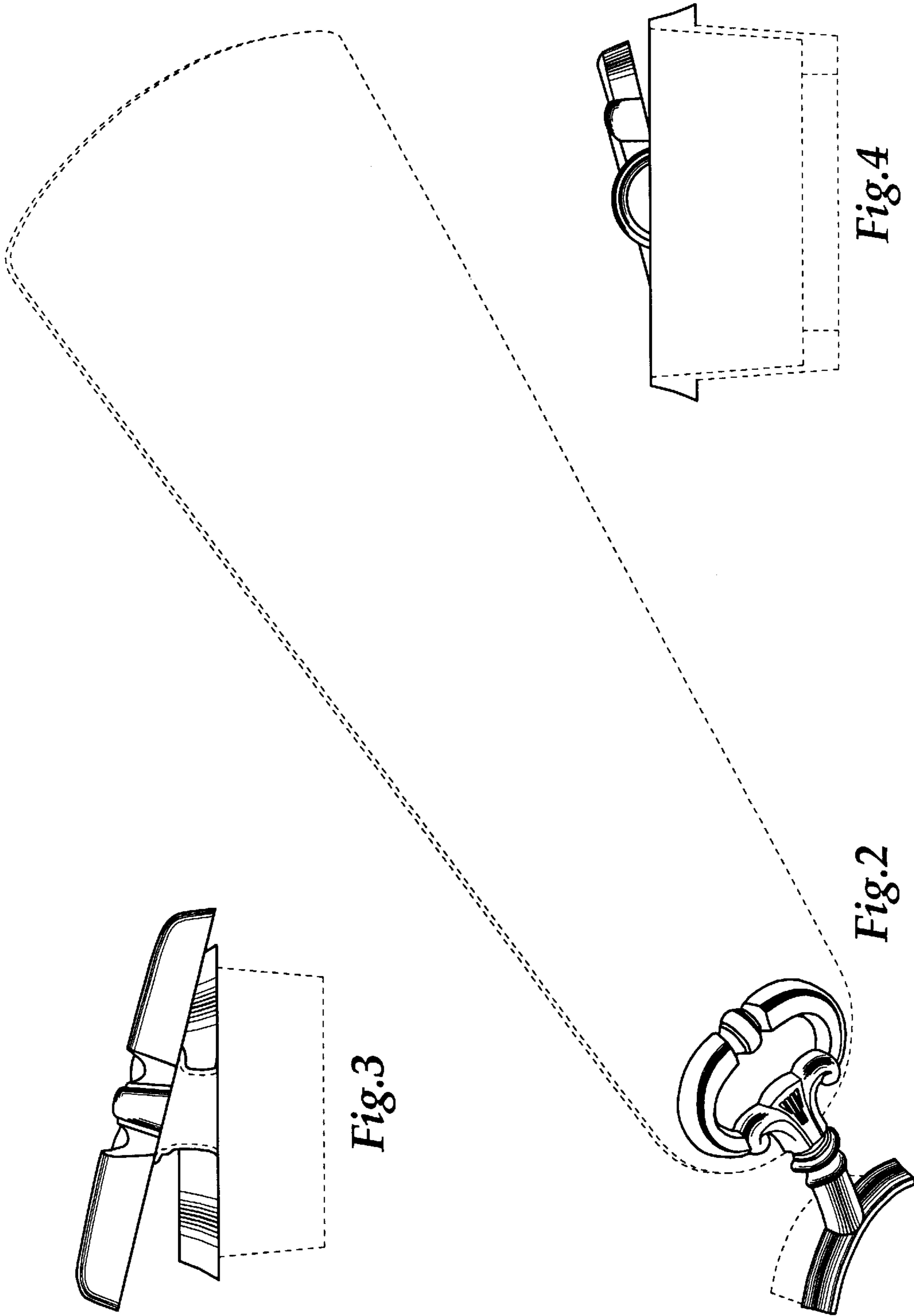
The broken lines showing environmental structure are for illustrative purposes and form no part of the claimed design.

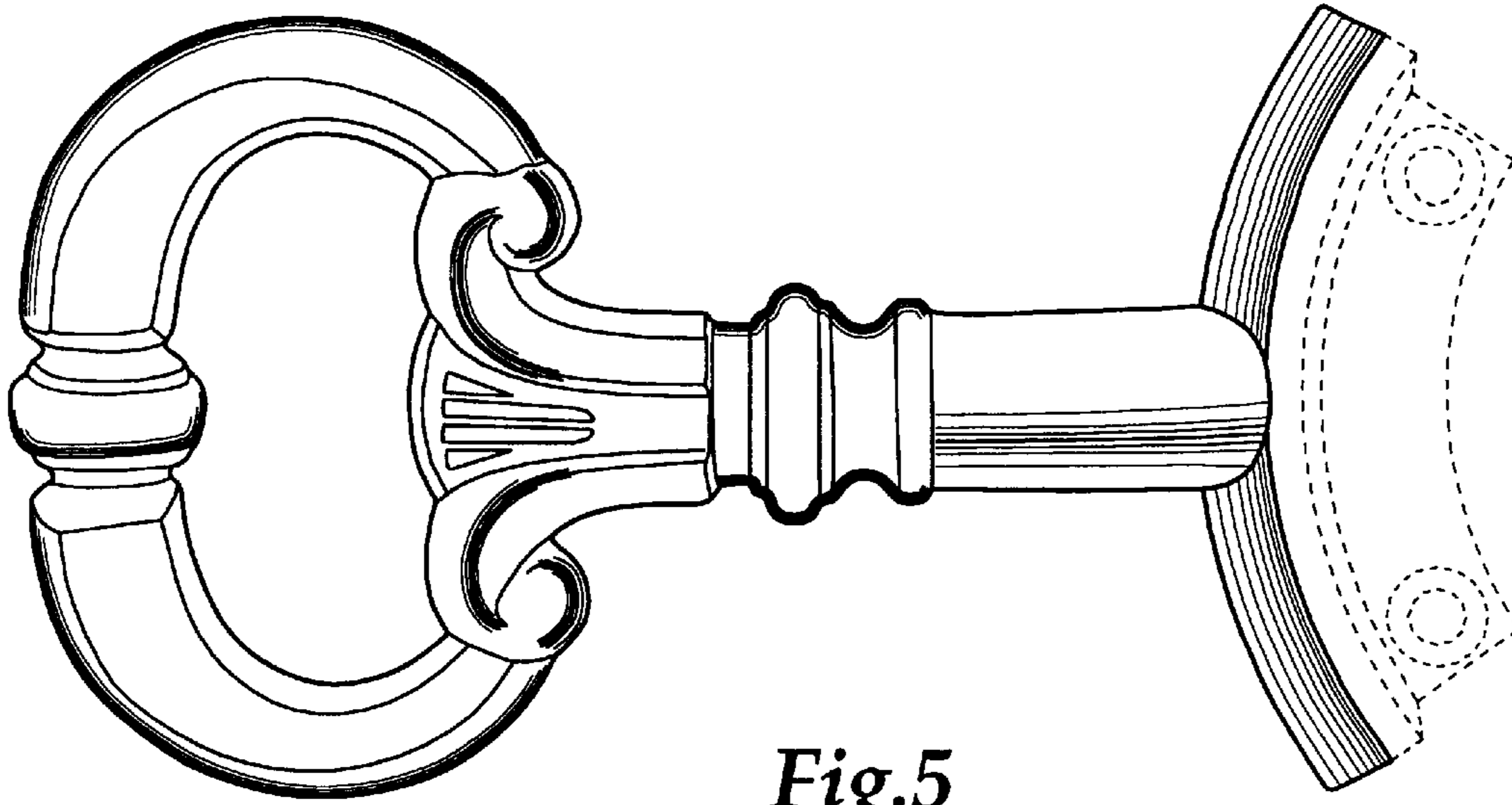
**1 Claim, 3 Drawing Sheets**



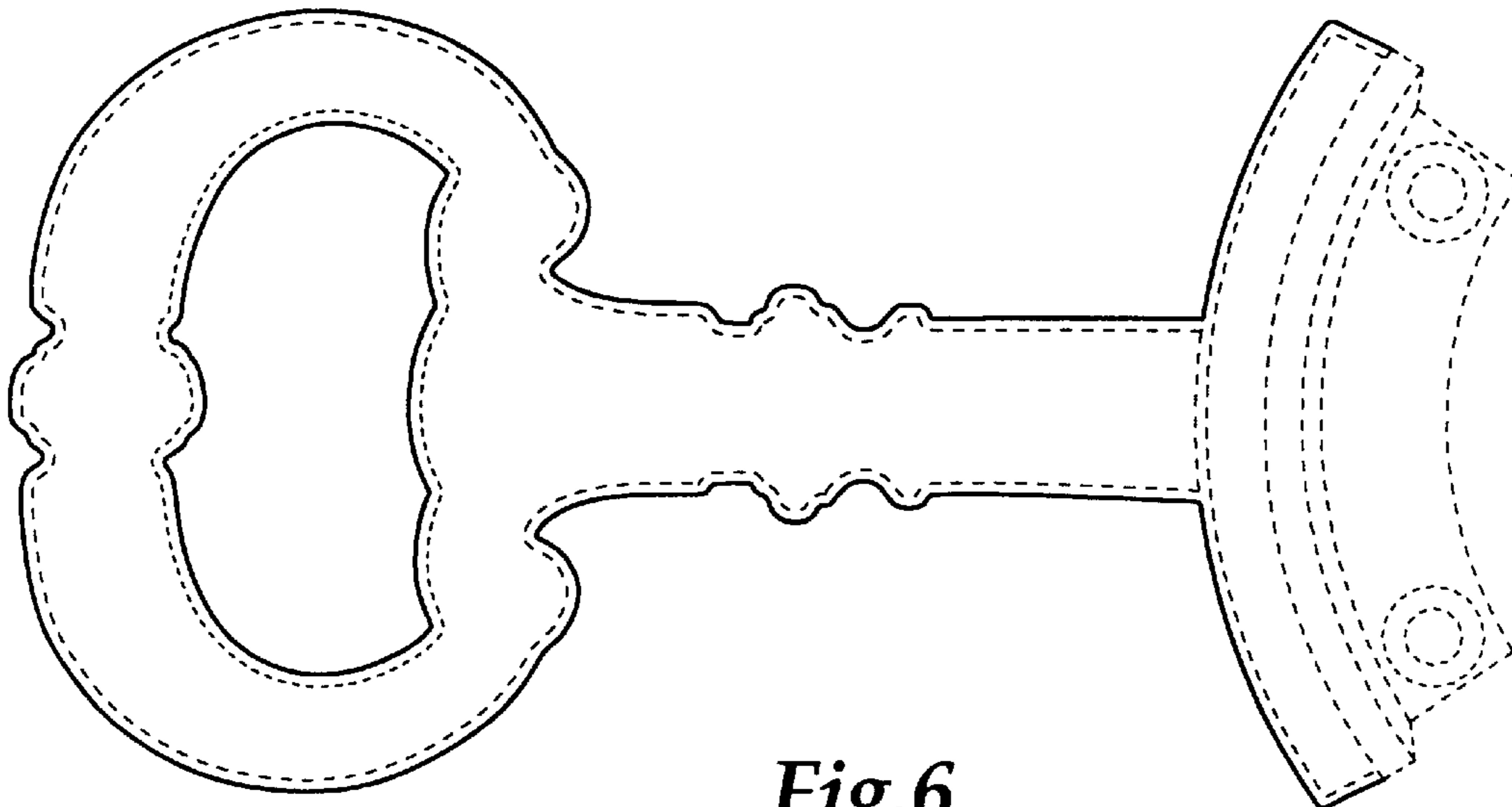


*Fig. 1*

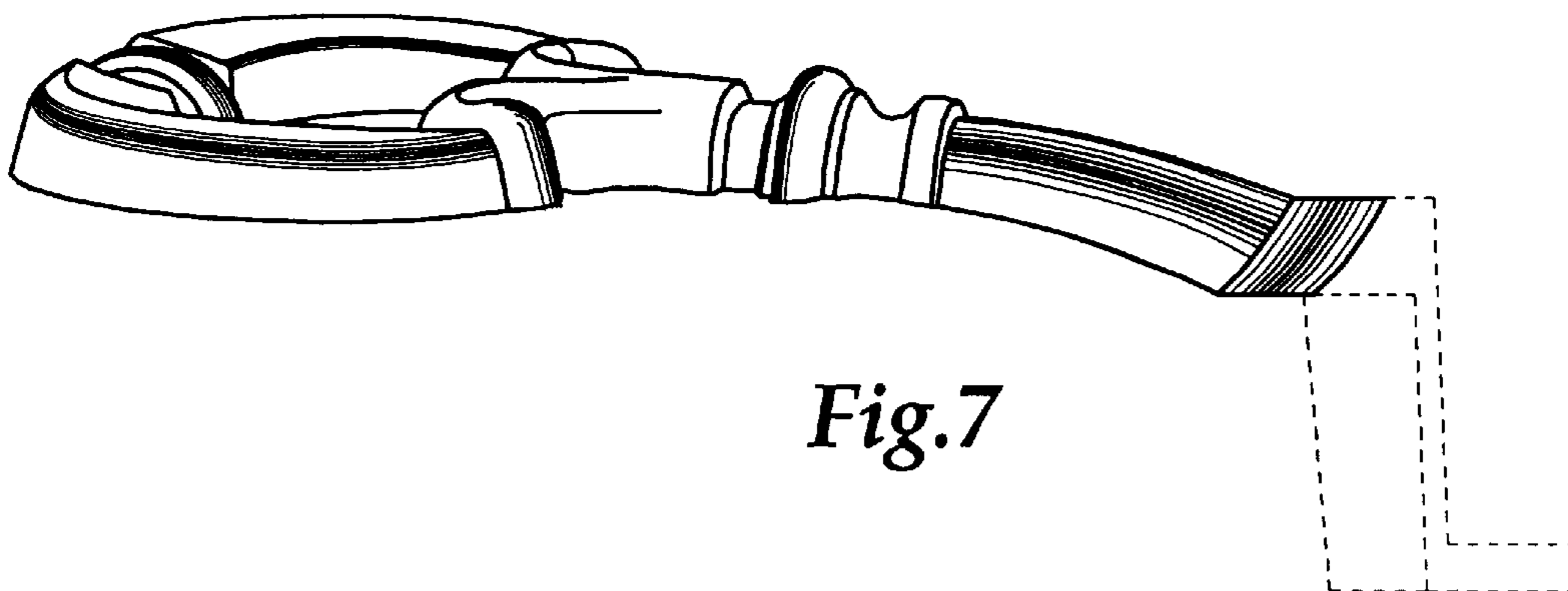




*Fig.5*



*Fig.6*



*Fig.7*