

US00D525354S

(12) **United States Design Patent**  
**Nishizawa**

(10) **Patent No.:** **US D525,354 S**

(45) **Date of Patent:** **\*\* Jul. 18, 2006**

(54) **AIR VENT**

D451,591 S \* 12/2001 Webb ..... D23/393  
D452,305 S \* 12/2001 Webb ..... D23/393

(75) Inventor: **Keisuke Nishizawa**, Nerima-ku (JP)

\* cited by examiner

(73) Assignee: **Seiho International, Inc.**, Pasadena, CA (US)

*Primary Examiner*—Catherine R. Oliver

(74) *Attorney, Agent, or Firm*—Koda & Androlia

(\*\*) Term: **14 Years**

(57) **CLAIM**

(21) Appl. No.: **29/227,876**

The ornamental design for an air vent, as shown and described.

(22) Filed: **Apr. 15, 2005**

**DESCRIPTION**

(30) **Foreign Application Priority Data**

Oct. 22, 2004 (JP) ..... 2004-035509

FIG. 1 is a front elevational view of the air vent showing my new design;

(51) **LOC (8) Cl.** ..... **23-04**

FIG. 2 is a rear elevational view thereof;

(52) **U.S. Cl.** ..... **D23/393**

FIG. 3 is a top plan view thereof, the bottom plan view being a mirror image of the top plan view;

(58) **Field of Classification Search** ..... D23/370,  
D23/388, 392, 324–327, 385–393; 454/290,  
454/316, 325, 359; 137/527.6, 527.8  
See application file for complete search history.

FIG. 4 is a right side elevational view thereof, the left side elevational view being a mirror image of the right side elevational view;

(56) **References Cited**

**U.S. PATENT DOCUMENTS**

D139,347 S \* 11/1944 Duffner ..... D23/390  
3,186,329 A \* 6/1965 Kennedy ..... 454/316

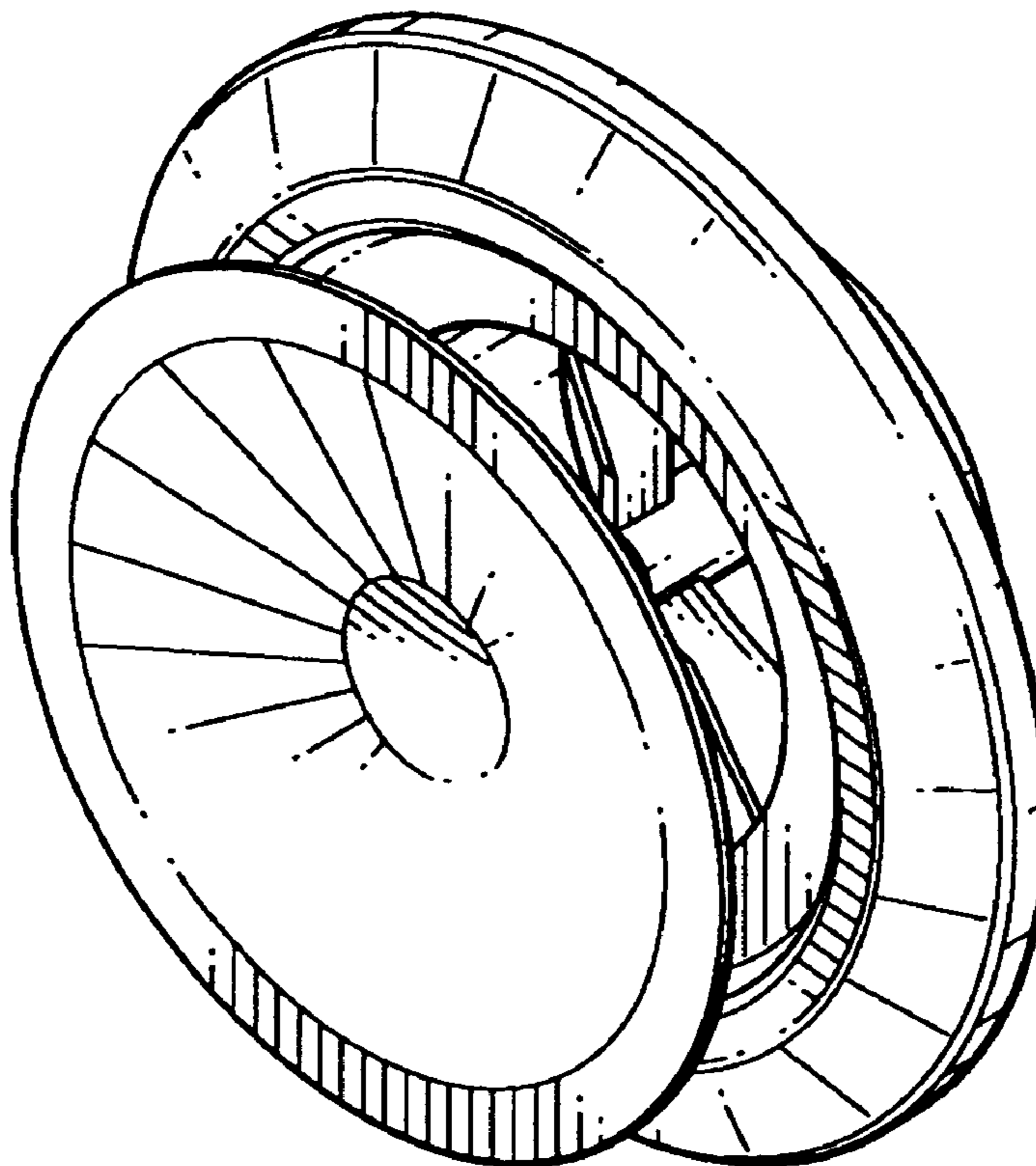
FIG. 5 is a perspective view of the air vent taken from the top, front and right side thereof;

FIG. 6 is cross sectional view taken along the lines 6—6 in FIG. 1, showing internal configuration of the air vent;

FIG. 7 is a right side elevational view of the air vent with the air outlet closed; and,

FIG. 8 is a perspective view of the air vent taken from the top, front and right side thereof with the air outlet closed.

**1 Claim, 4 Drawing Sheets**



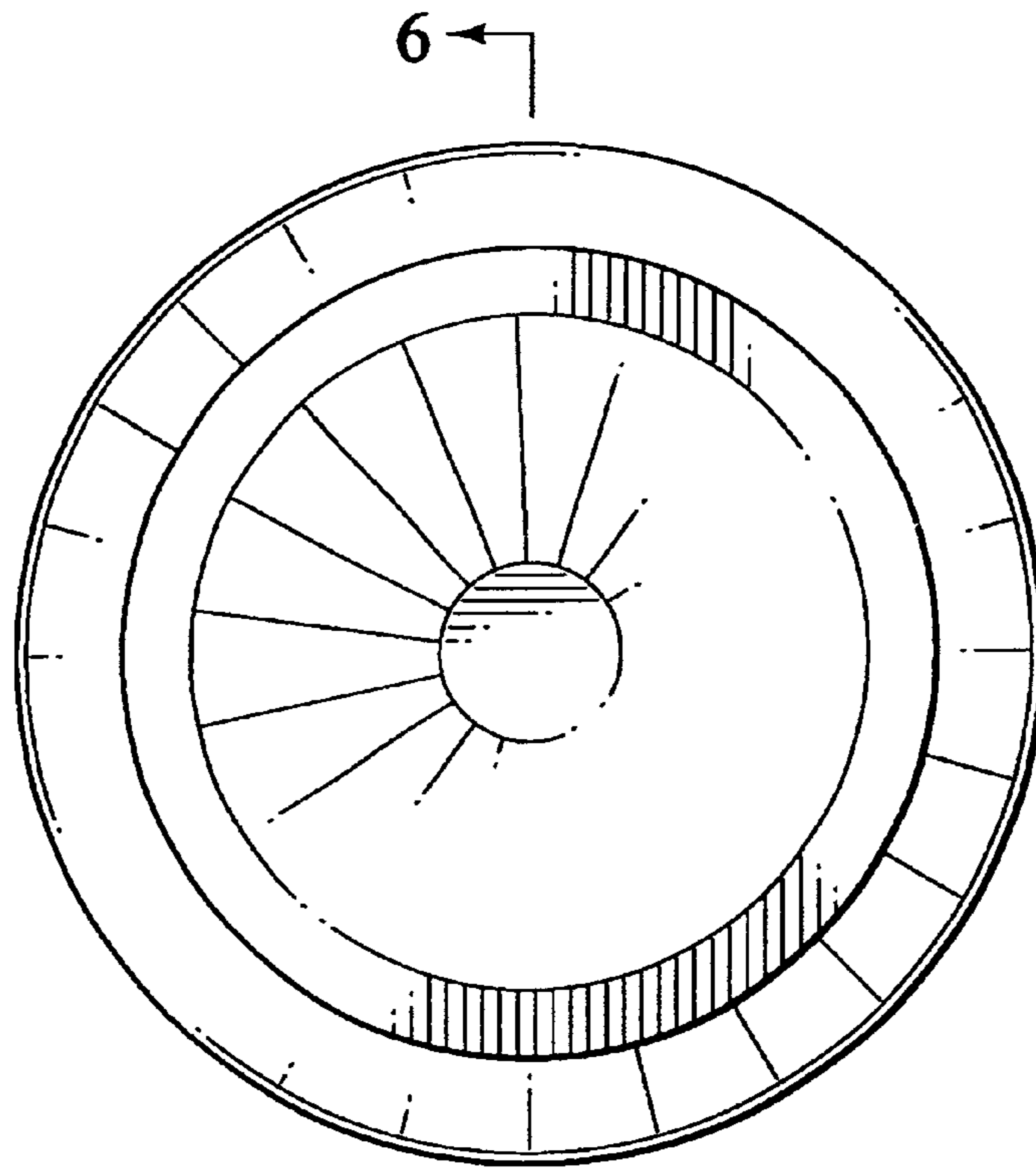


FIG. 1

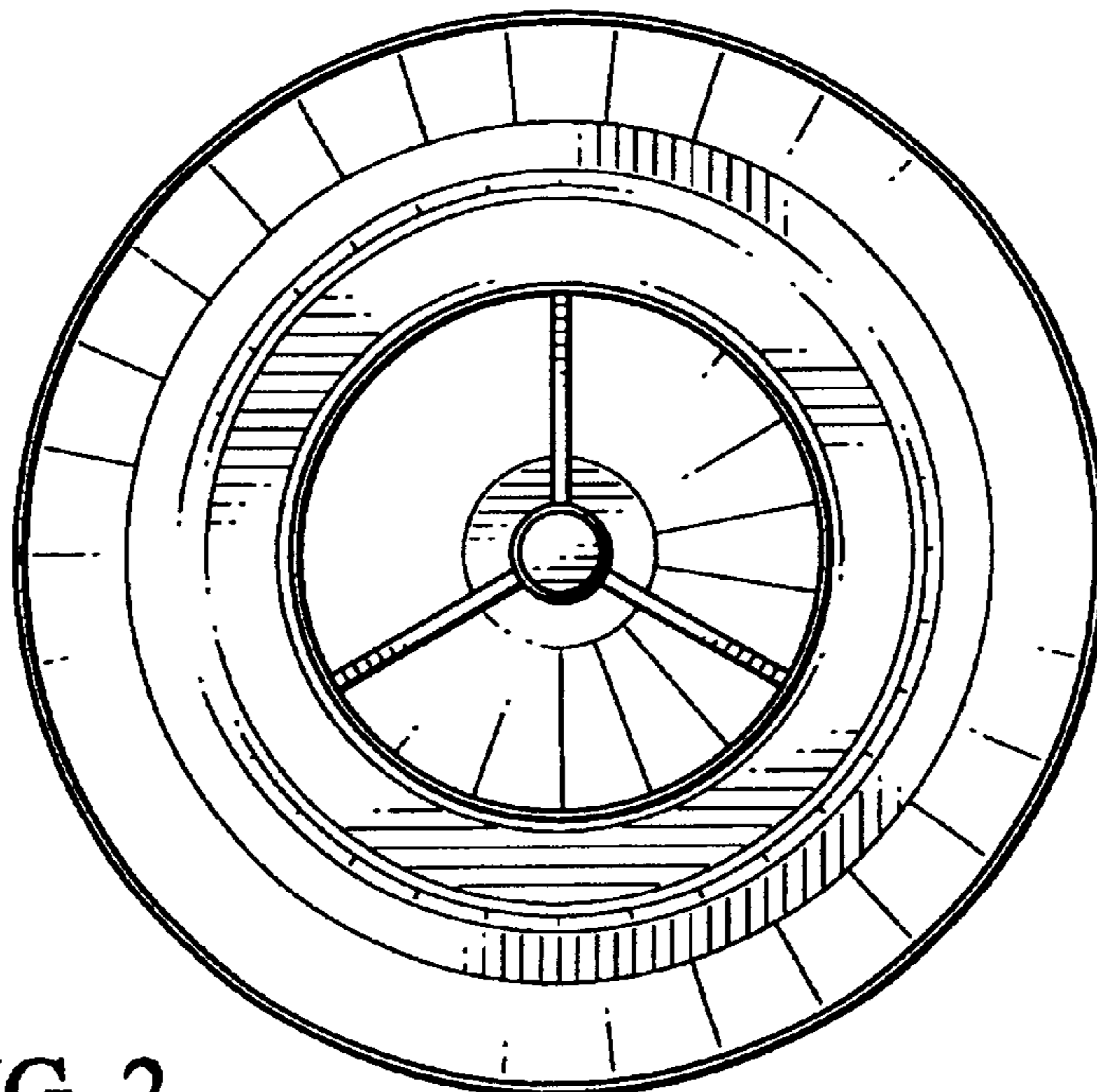
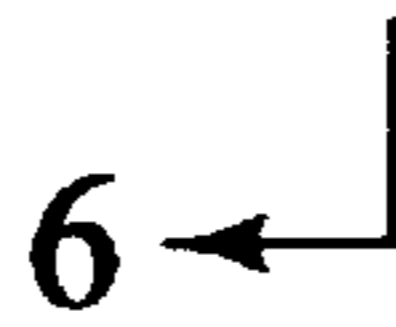


FIG. 2

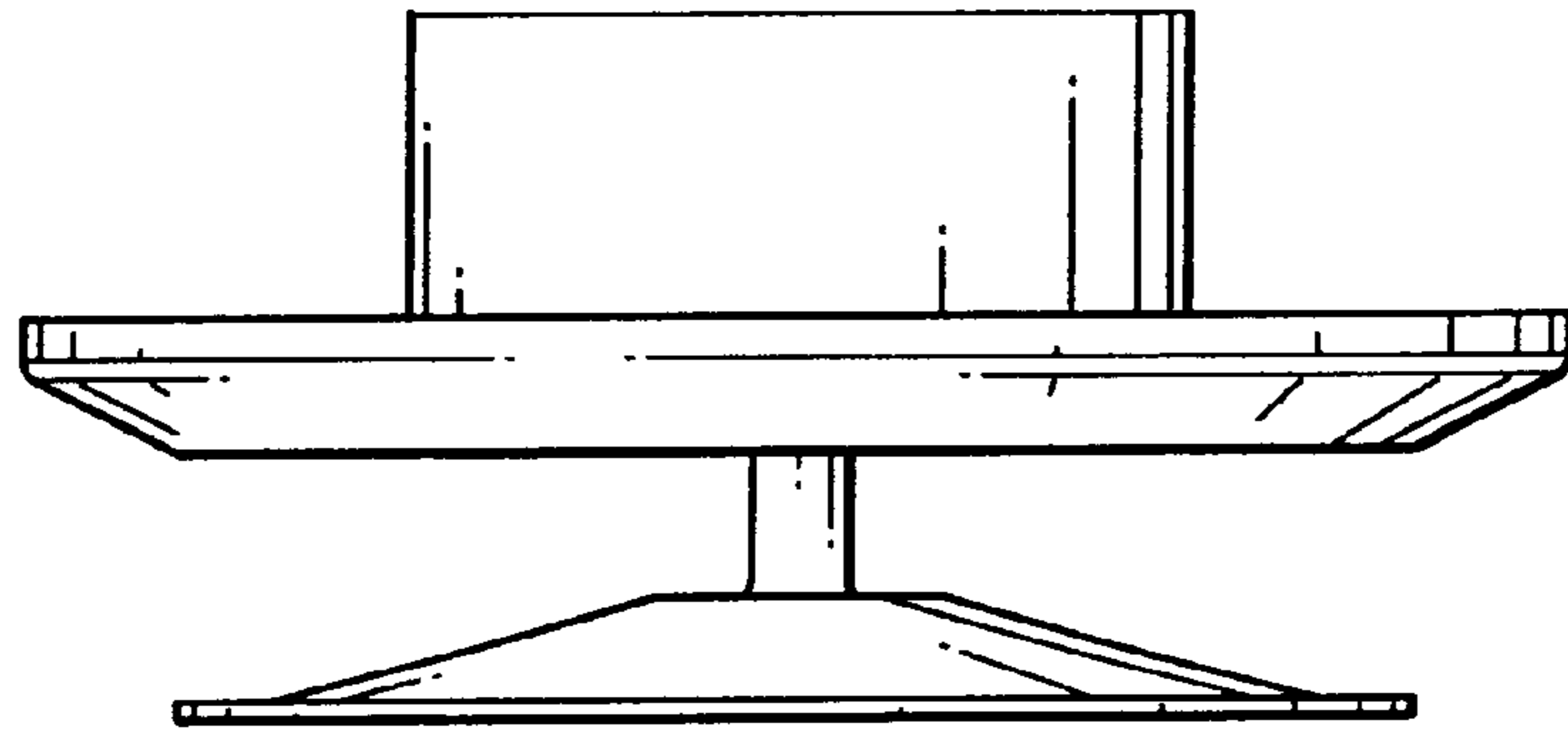


FIG. 3

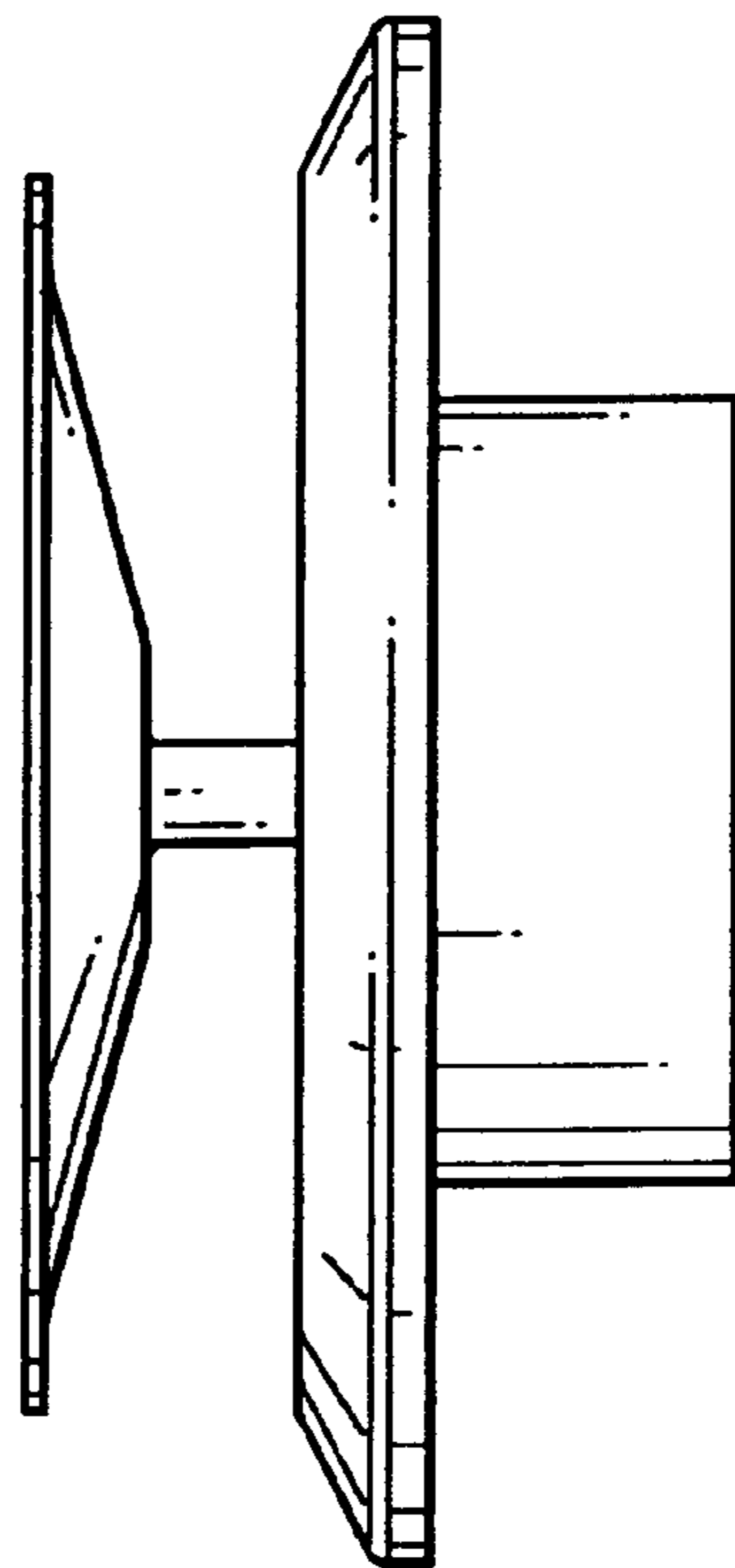


FIG. 4

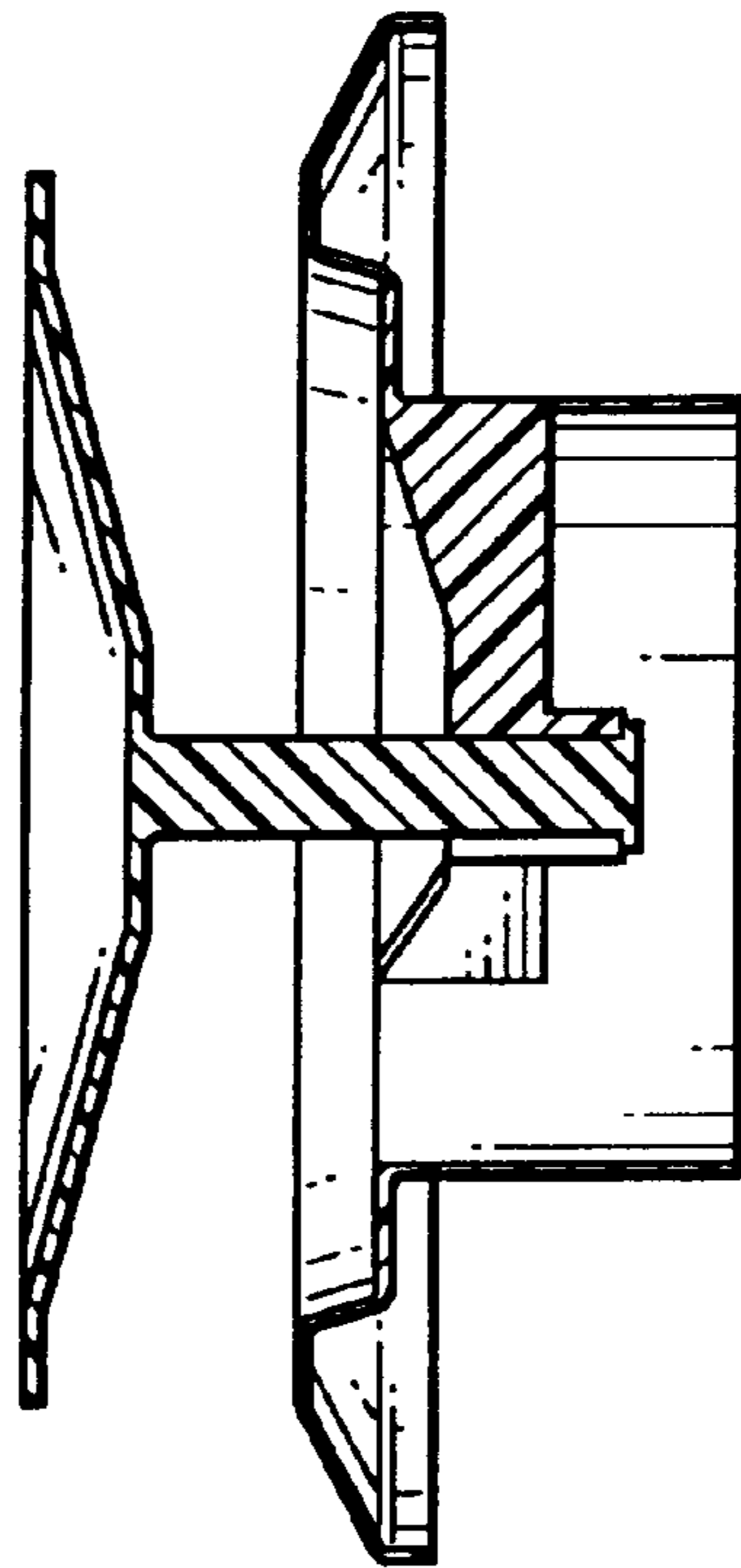


FIG. 6

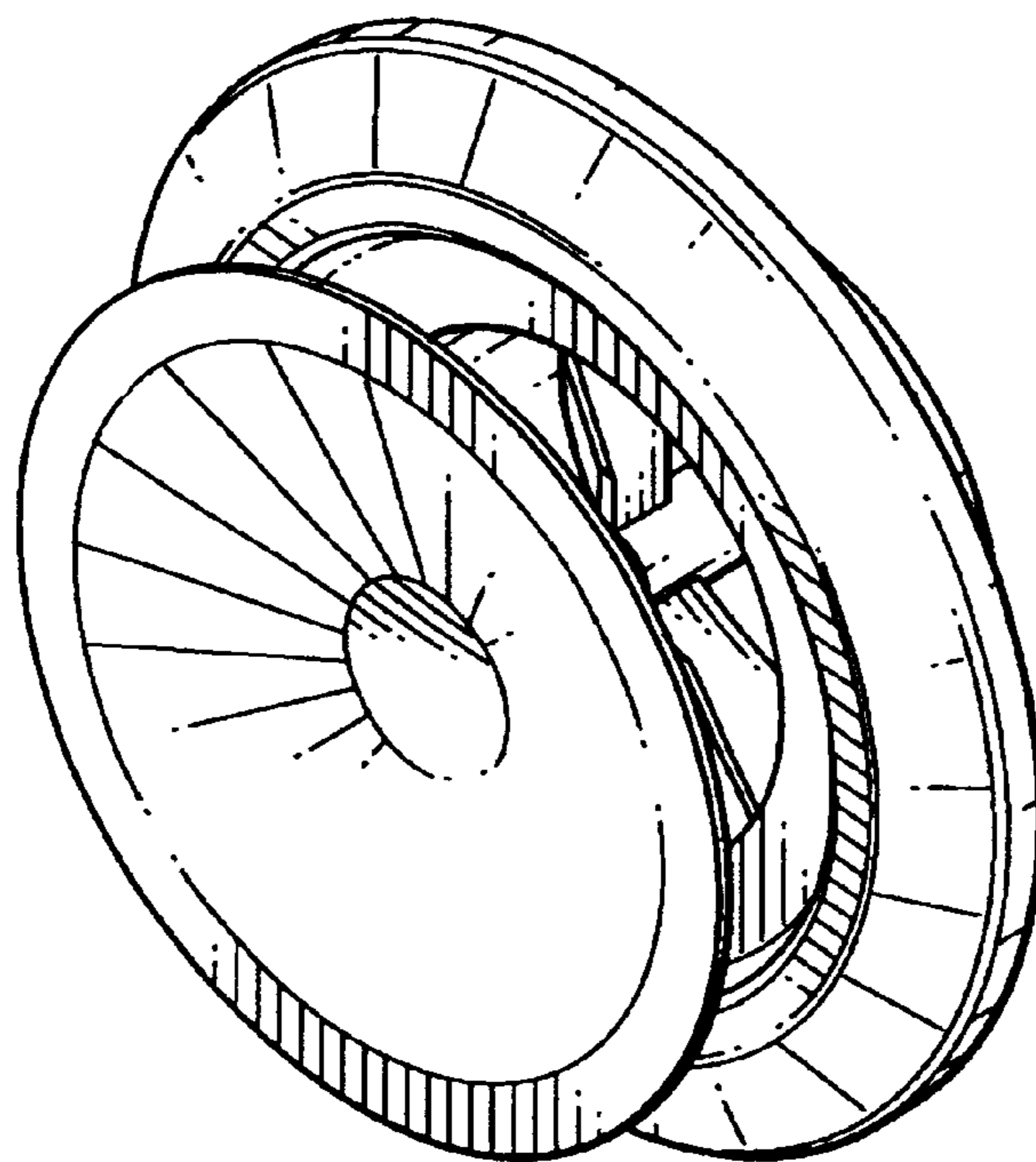


FIG. 5

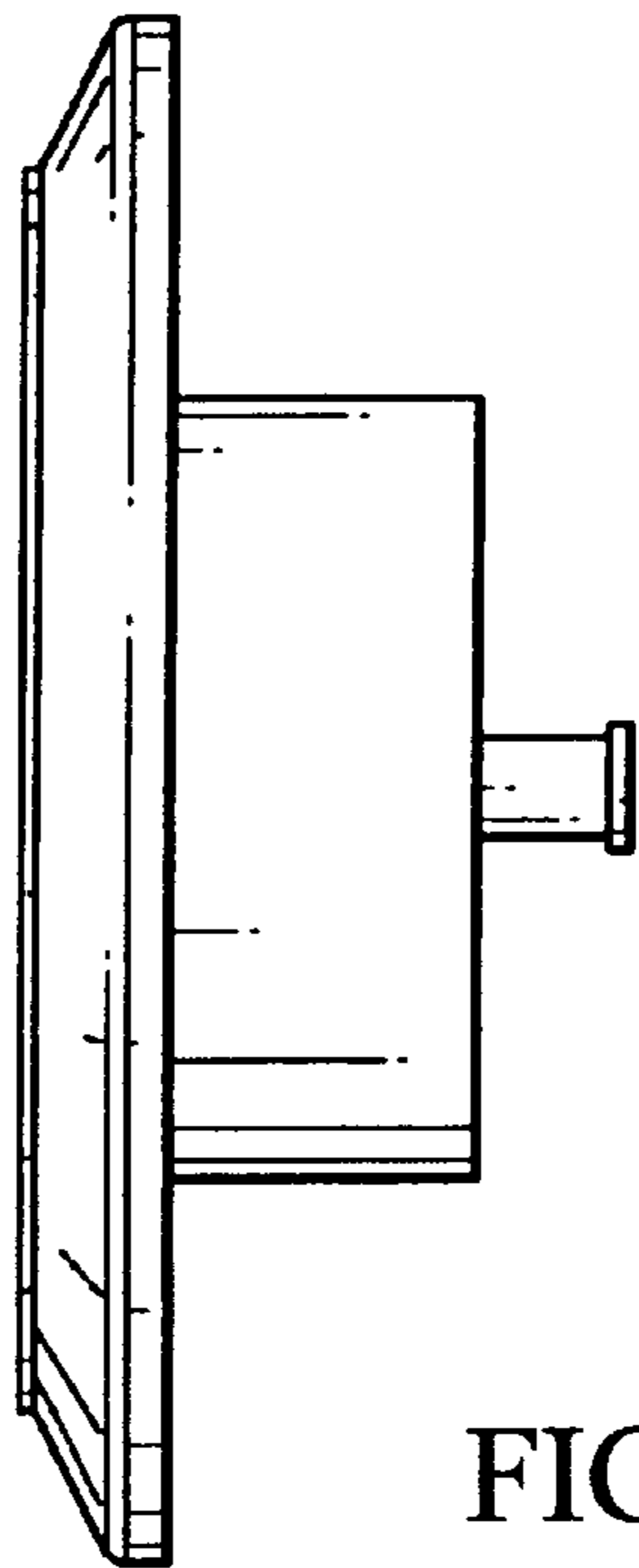


FIG. 7

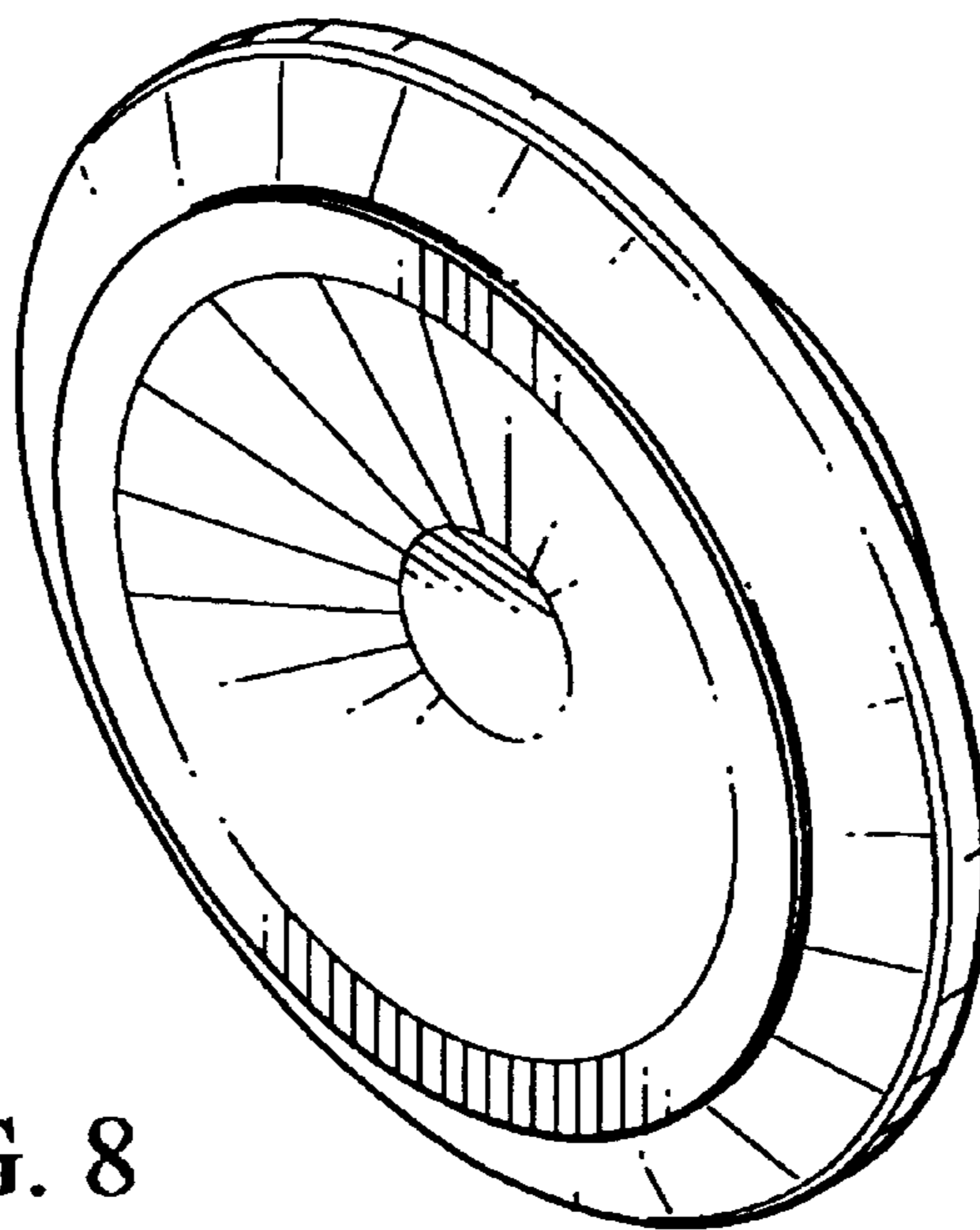


FIG. 8