



US00D525347S

(12) **United States Design Patent**
Schaffeld et al.

(10) **Patent No.:** **US D525,347 S**

(45) **Date of Patent:** **** Jul. 18, 2006**

(54) **FAUCET PULLOUT WAND**

D509,564 S * 9/2005 Jorgensen et al. D23/238
D510,611 S * 10/2005 Jorgensen et al. D23/238

(75) Inventors: **John Schaffeld**, Marshfield, MA (US);
Steffen Koury, Charlestown, MA (US)

* cited by examiner

(73) Assignee: **Masco Corporation of Indiana**,
Indianapolis, IN (US)

Primary Examiner—Louis S. Zarfes
Assistant Examiner—Gregory Andoll
(74) *Attorney, Agent, or Firm*—Kwadjo Adusei-Poku;
Lloyd D. Doigan

(**) Term: **14 Years**

(21) Appl. No.: **29/219,916**

(57) **CLAIM**

(22) Filed: **Dec. 23, 2004**

The ornamental design for a faucet pullout wand, as shown and described.

(51) **LOC (8) Cl.** **23-01**

DESCRIPTION

(52) **U.S. Cl.** **D23/255**

(58) **Field of Classification Search** D23/238–257,
D23/223; 4/675–678; 137/801
See application file for complete search history.

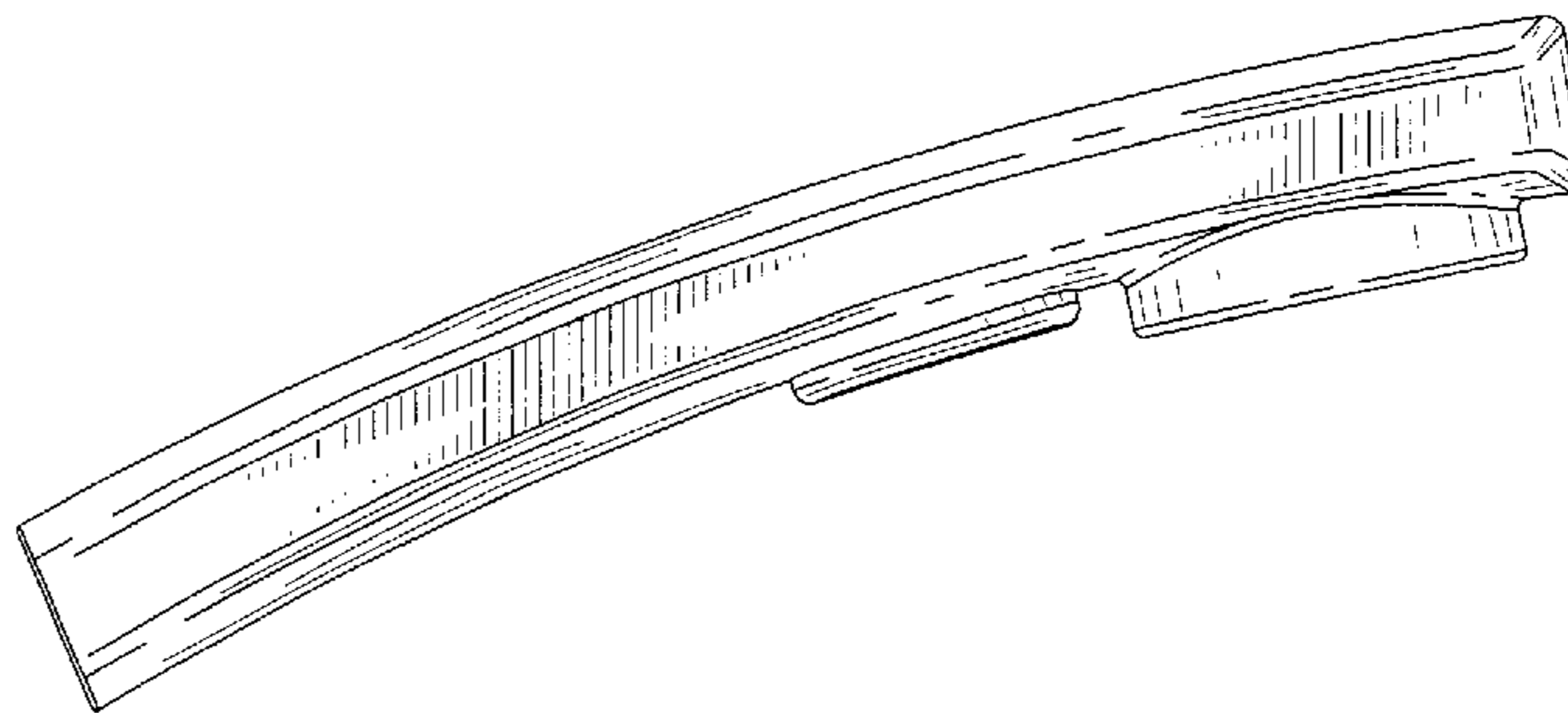
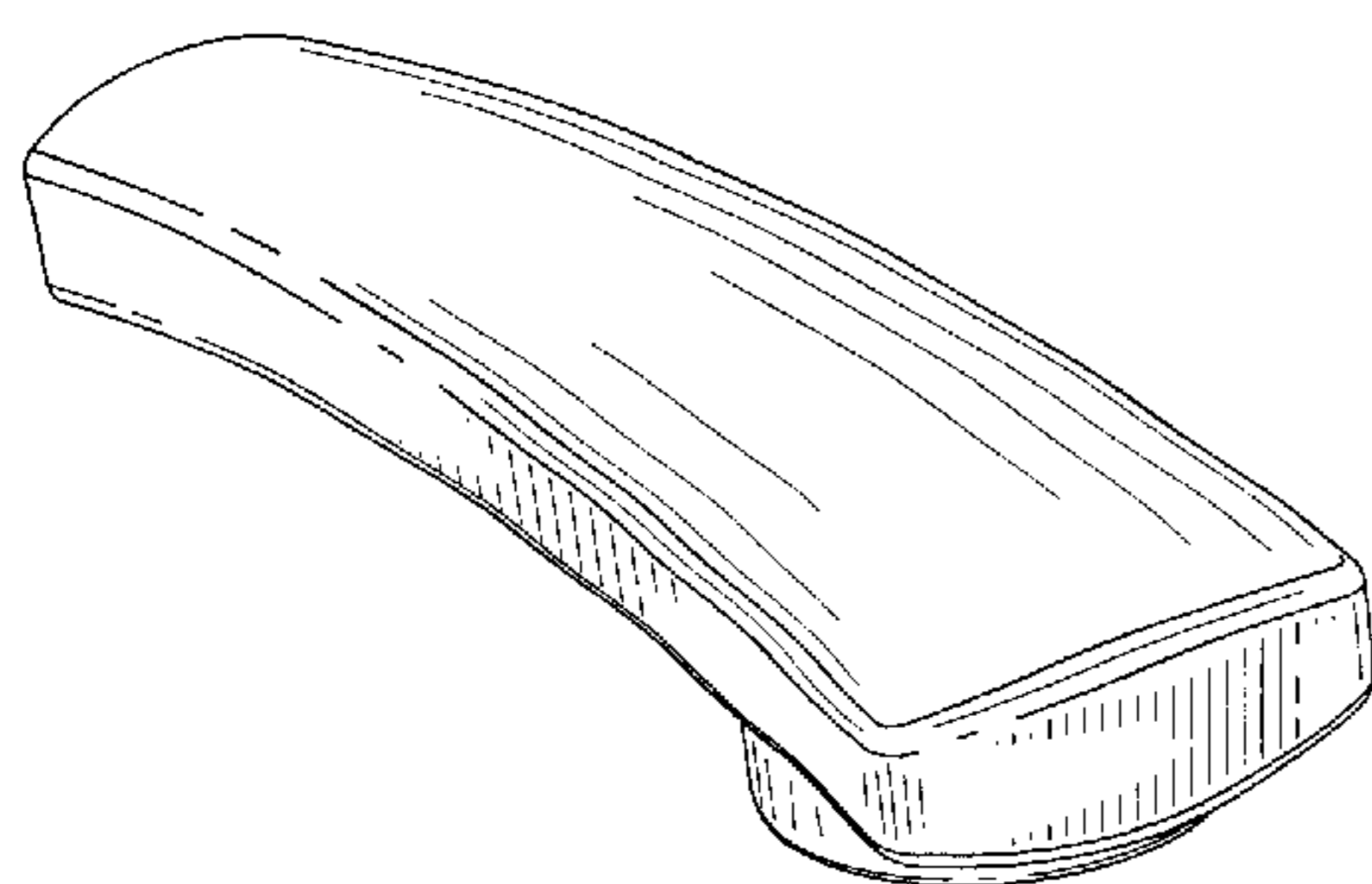
FIG. 1 is a front perspective view of a faucet pullout wand showing my design;
FIG. 2 is a front elevational view thereof;
FIG. 3 is a rear elevational view thereof;
FIG. 4 is a right side elevational view, the left side elevational view being a mirror image thereof;
FIG. 5 is a top plan view thereof; and,
FIG. 6 is a rear perspective view thereof.

(56) **References Cited**

U.S. PATENT DOCUMENTS

D314,040 S * 1/1991 Heieck D23/238
D355,955 S * 2/1995 Chretien D23/238
D385,014 S * 10/1997 Bertoli D23/238

1 Claim, 6 Drawing Sheets



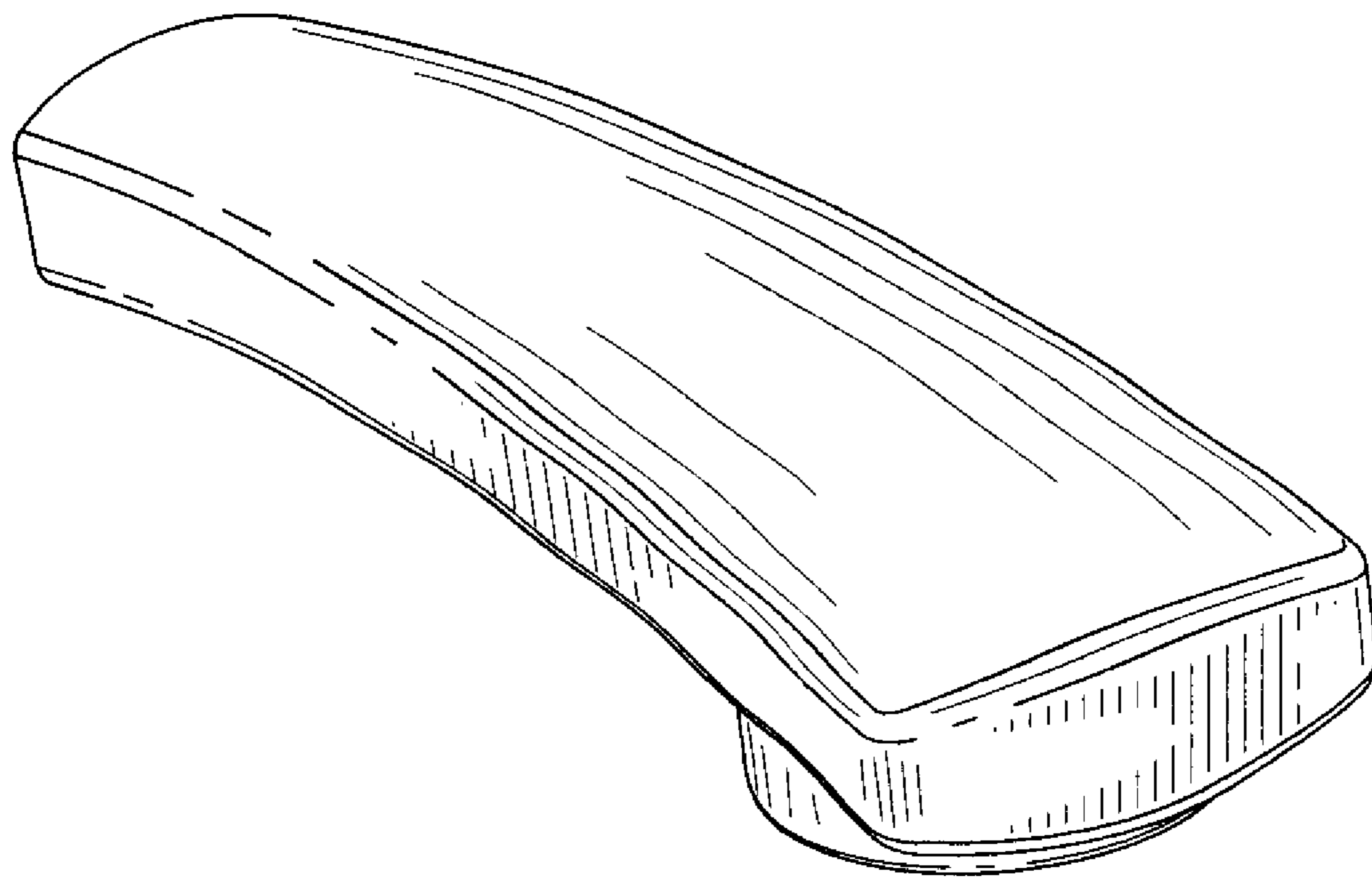


FIG. 1

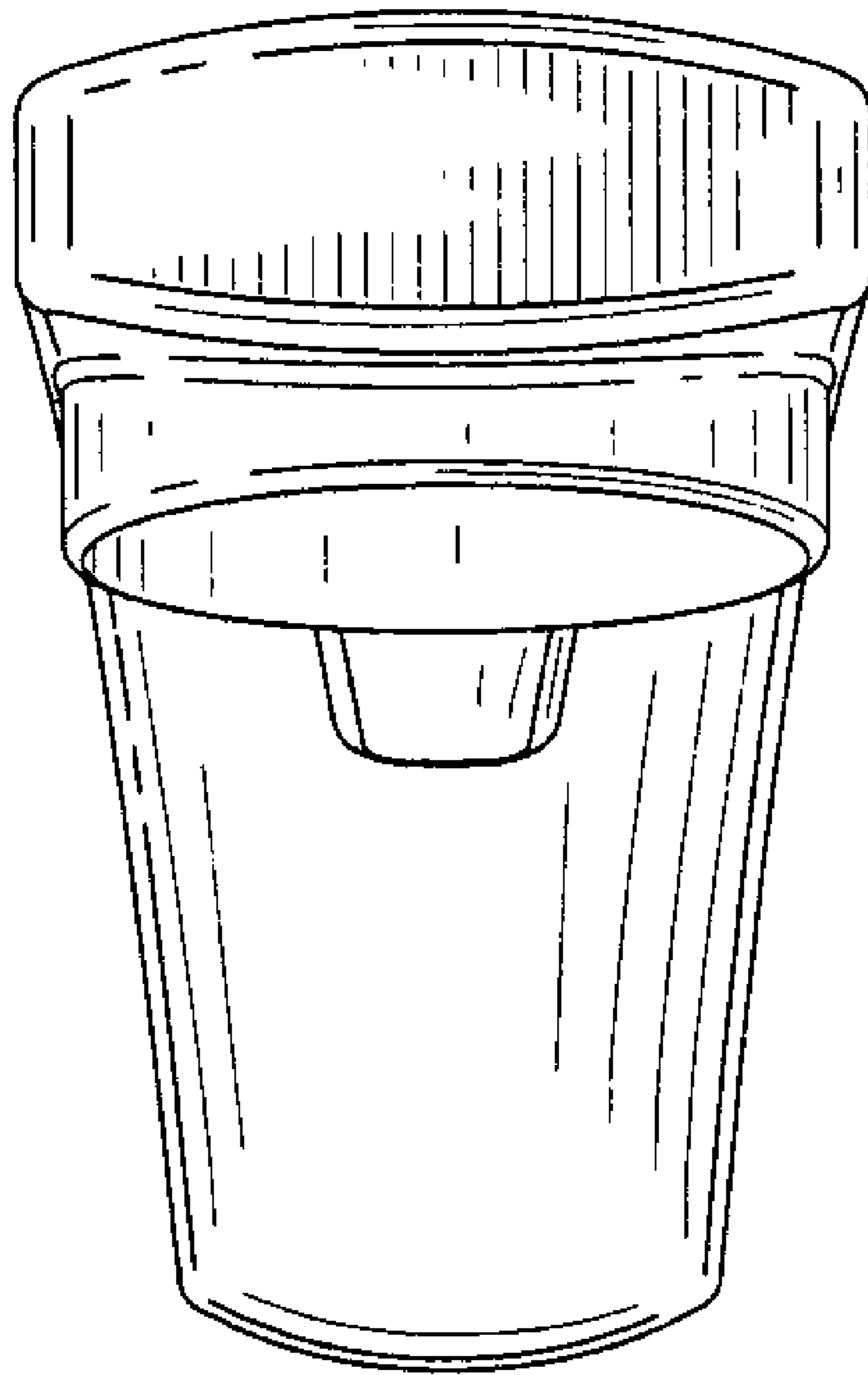


FIG. 2

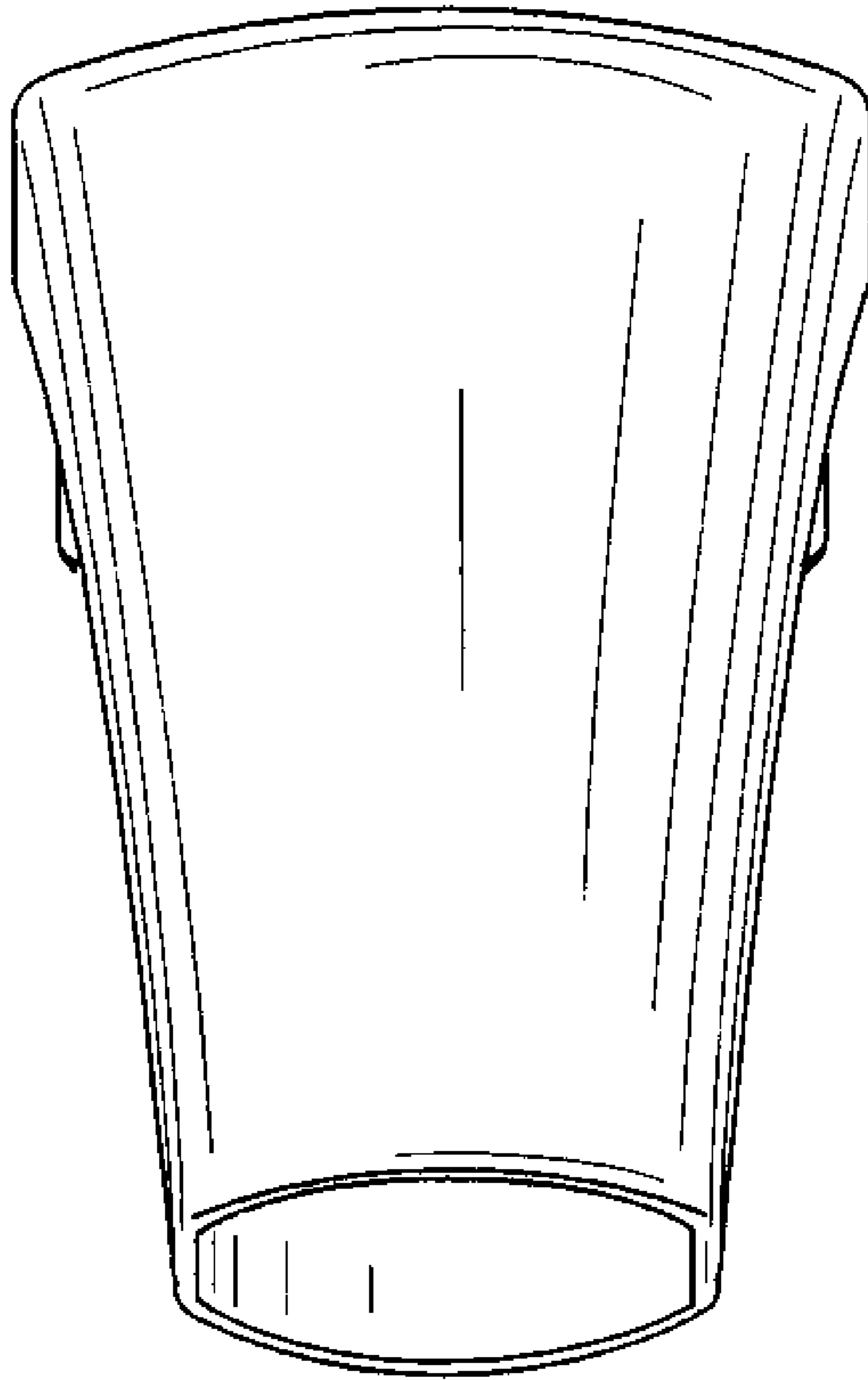


FIG. 3

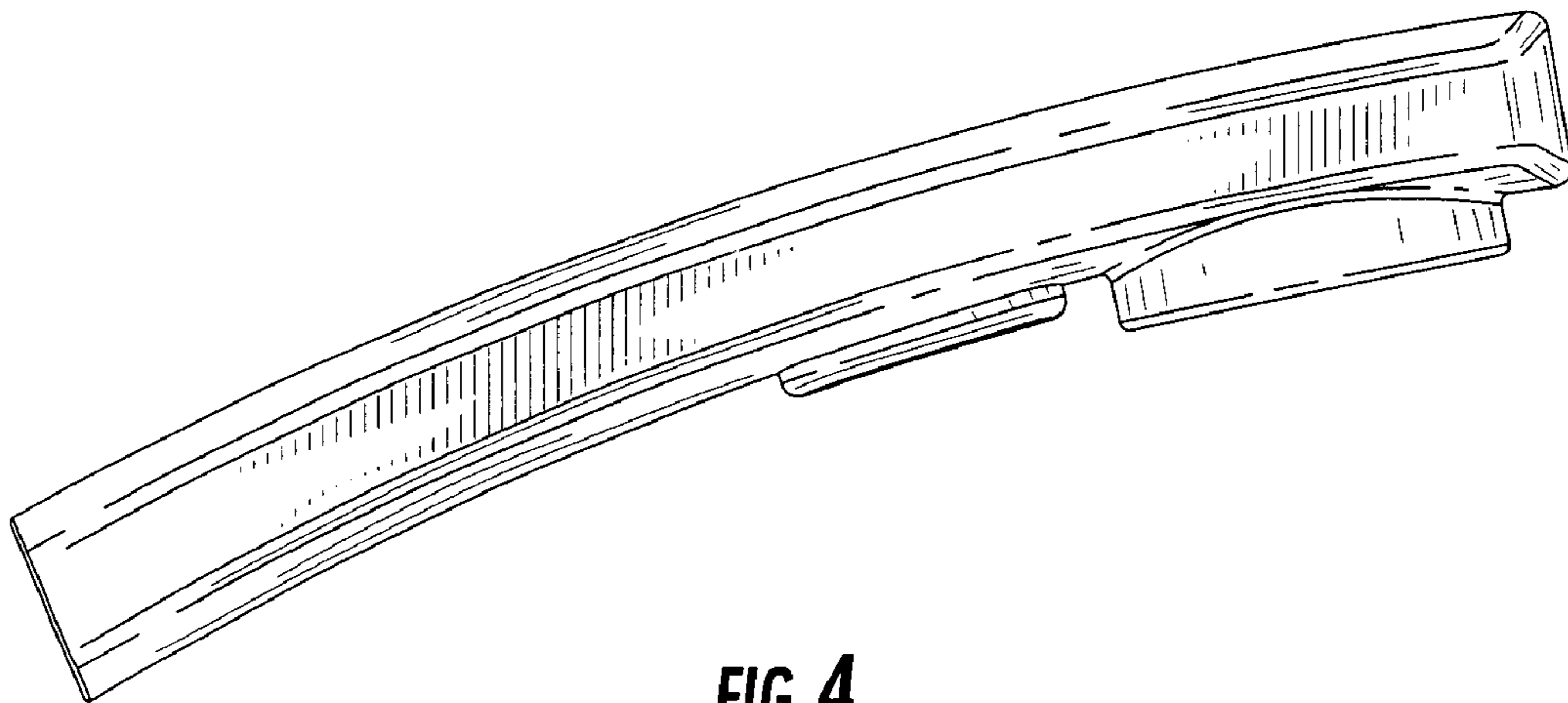


FIG. 4

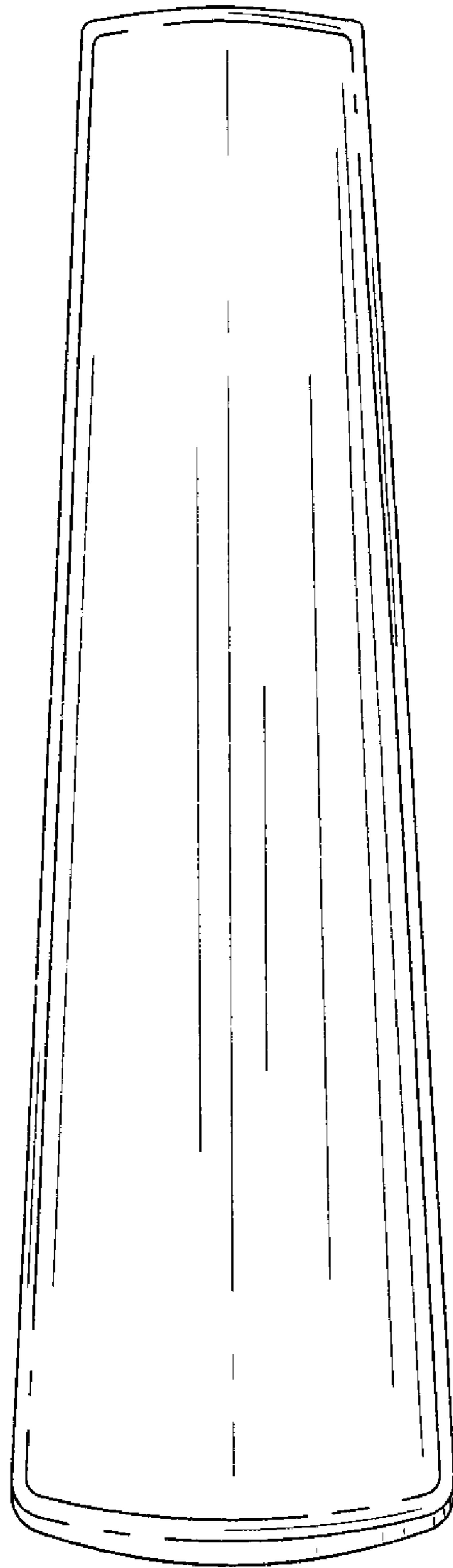


FIG. 5

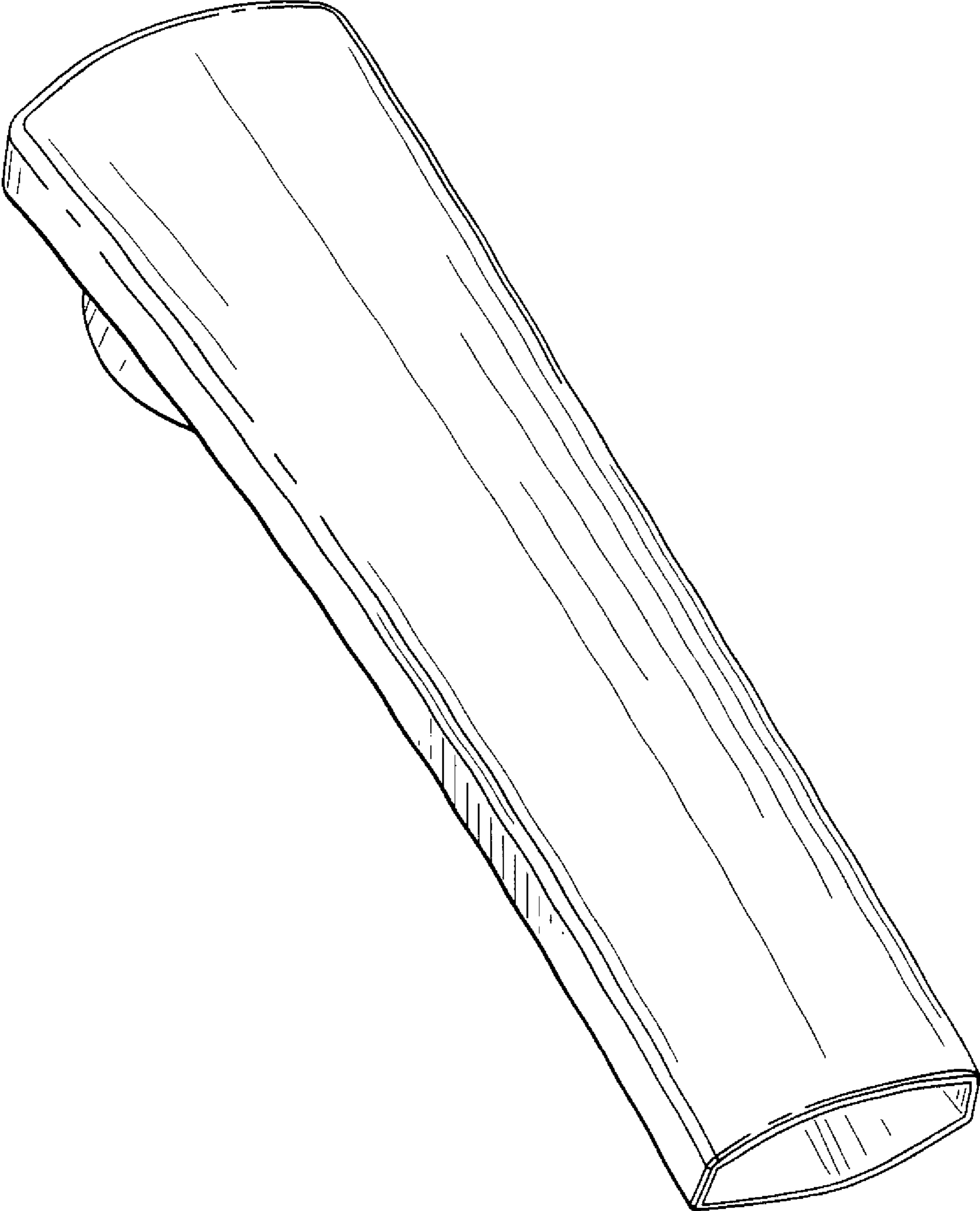


FIG. 6