



US00D525346S

(12) **United States Design Patent**
Kulig

(10) **Patent No.:** **US D525,346 S**
(45) **Date of Patent:** **** Jul. 18, 2006**

(54) **FAUCET**

(75) **Inventor:** **Zbigniew Kulig**, Wadsworth, IL (US)

(73) **Assignee:** **Graff Faucets**, Milwaukee, WI (US)

(**) **Term:** **14 Years**

(21) **Appl. No.:** **29/235,522**

(22) **Filed:** **Aug. 3, 2005**

(30) **Foreign Application Priority Data**

Feb. 4, 2005 (PL) WP-7359

(51) **LOC (8) Cl.** **23-01**

(52) **U.S. Cl.** **D23/238; D23/241; D23/242**

(58) **Field of Classification Search** **D23/238–257;**
4/675–678; 137/801

See application file for complete search history.

(56) **References Cited**

U.S. PATENT DOCUMENTS

D149,388 S	*	4/1948	Stratmore	D23/240
D198,829 S	*	8/1964	Armstrong	D23/250
D217,514 S	*	5/1970	Paul	D8/71
D280,232 S	*	8/1985	Paul	D23/242
D284,933 S	*	8/1986	Murphy	D8/382
D477,859 S	*	7/2003	Citterio	D23/241

OTHER PUBLICATIONS

Kulig, U.S. Appl. No. 29/200,364, filed Feb. 26, 2004, entitled "Faucet".

Kulig, U.S. Appl. No. 29/220,253, filed Dec. 28, 2004, entitled "Faucet".

Kulig, U.S. Appl. No. 29/220,262, filed Dec. 28, 2004, entitled "Faucet".

Kulig, U.S. Appl. No. 29/220,239, filed Dec. 28, 2004, entitled "Faucet".

* cited by examiner

Primary Examiner—Louis S. Zarfes

Assistant Examiner—Gregory Andoll

(74) *Attorney, Agent, or Firm*—Boyle Fredrickson Newholm Stein & Gratz S.C.

(57) **CLAIM**

The ornamental design for a faucet, as shown and described.

DESCRIPTION

FIG. 1 is perspective view of a faucet incorporating my new design, viewed from in front of, above, and from the left side of the faucet;

FIG. 2 is a front elevation view thereof;

FIG. 3 is a rear elevation view thereof;

FIG. 4 is a top plan view thereof;

FIG. 5 is a bottom plan view thereof;

FIG. 6 is a left-side elevation view thereof;

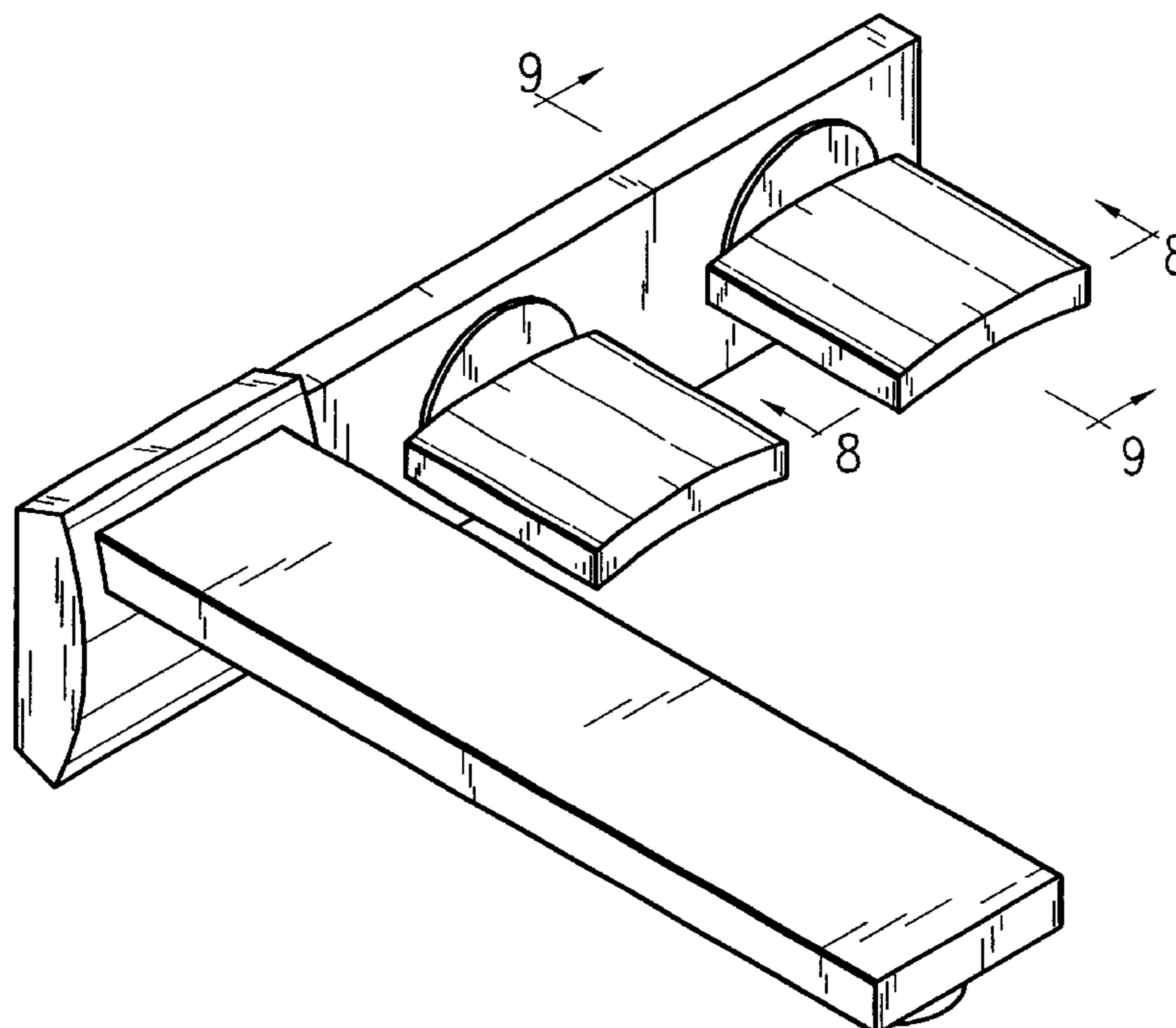
FIG. 7 is a right-side elevation view thereof;

FIG. 8 is a sectional view taken along the lines 8—8 in FIG. 1; and,

FIG. 9 is a partial sectional view taken along the lines 9—9 in FIG. 1.

The broken lines in FIGS. 3 and 5 are for illustrative purposes only and form no part of the claimed design.

1 Claim, 7 Drawing Sheets



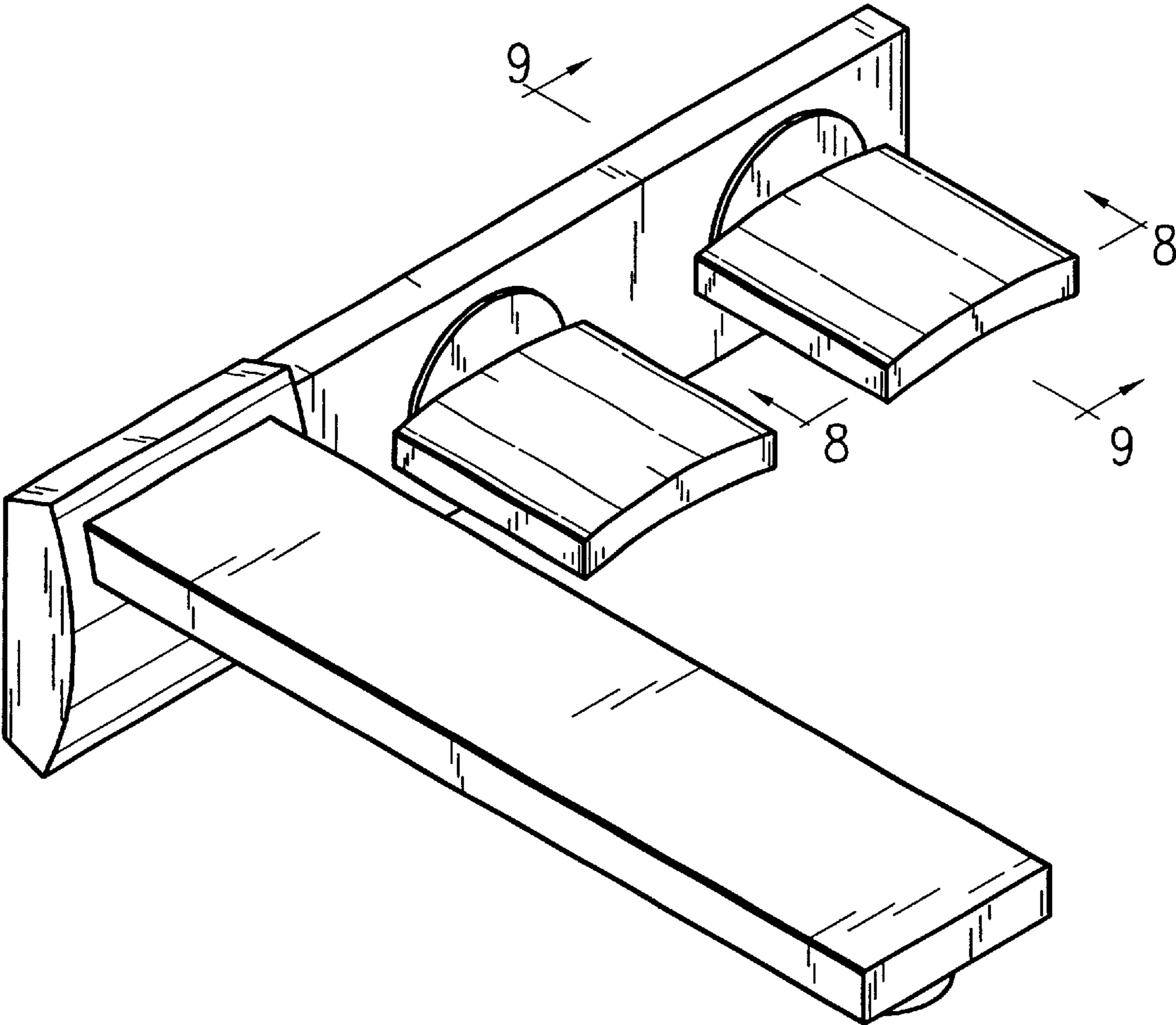


FIG. 1

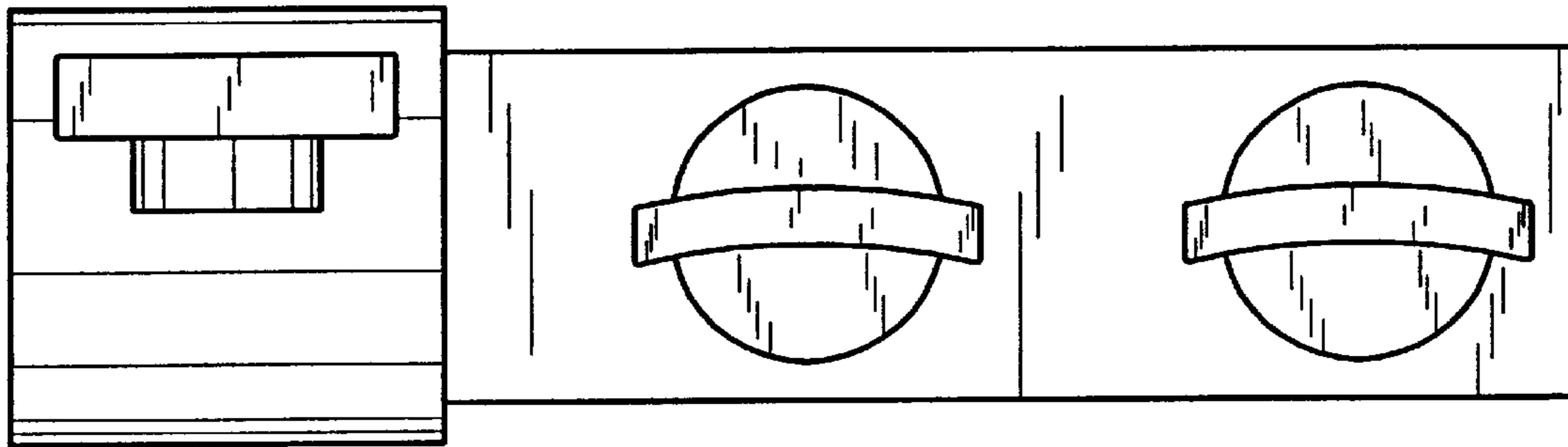


FIG. 2

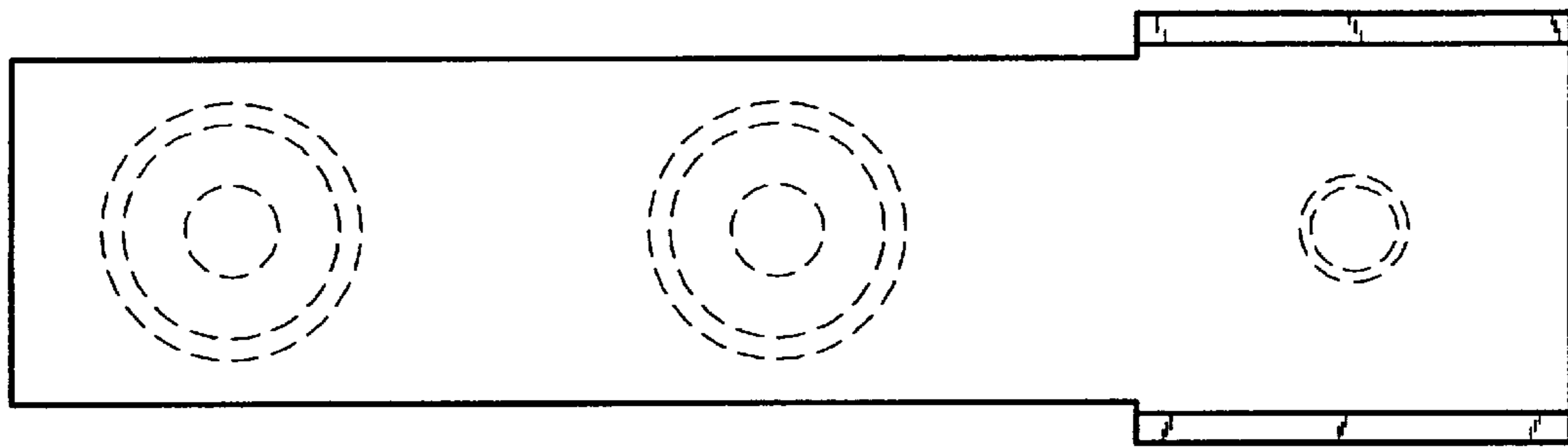


FIG. 3

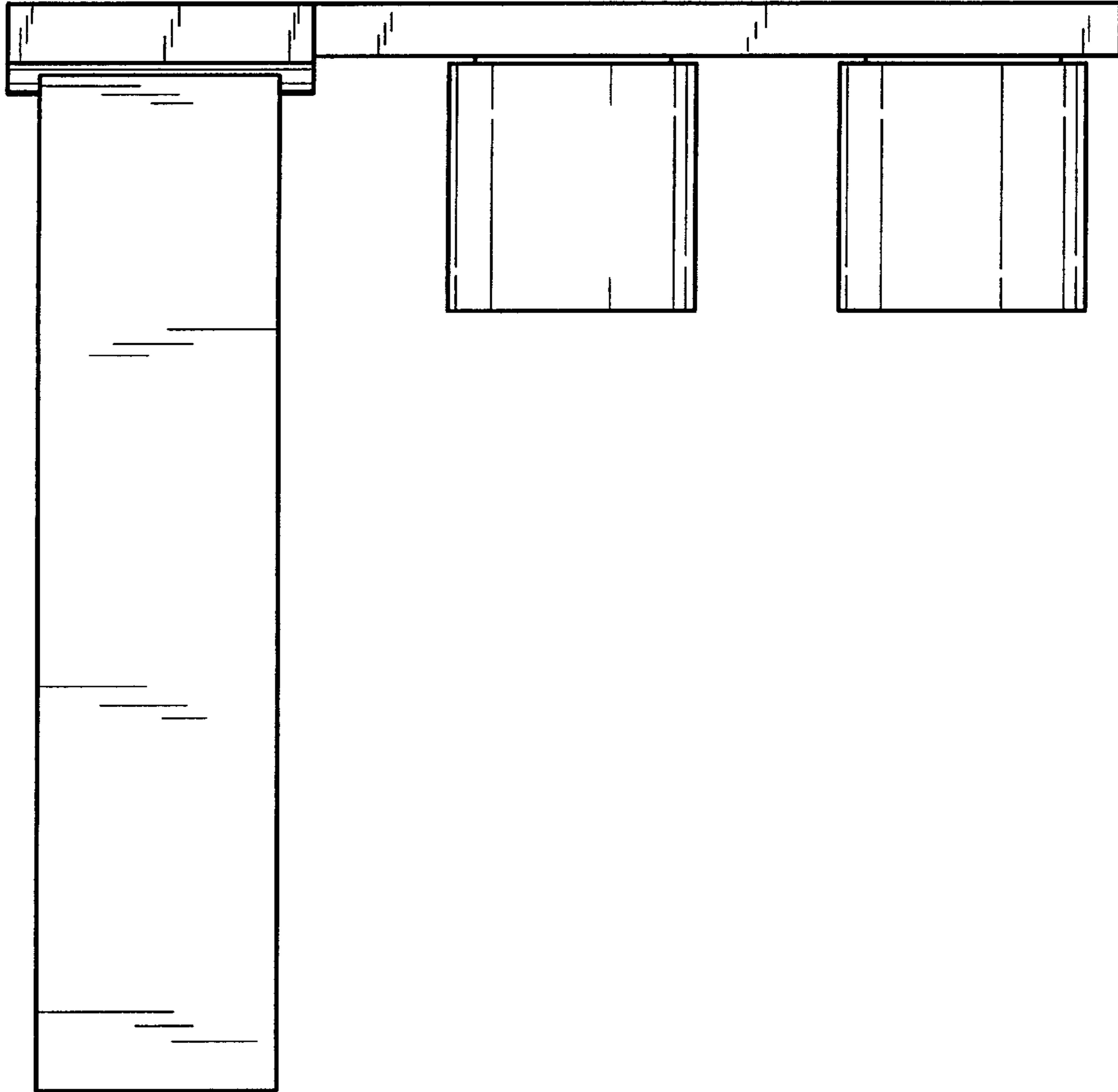


FIG. 4

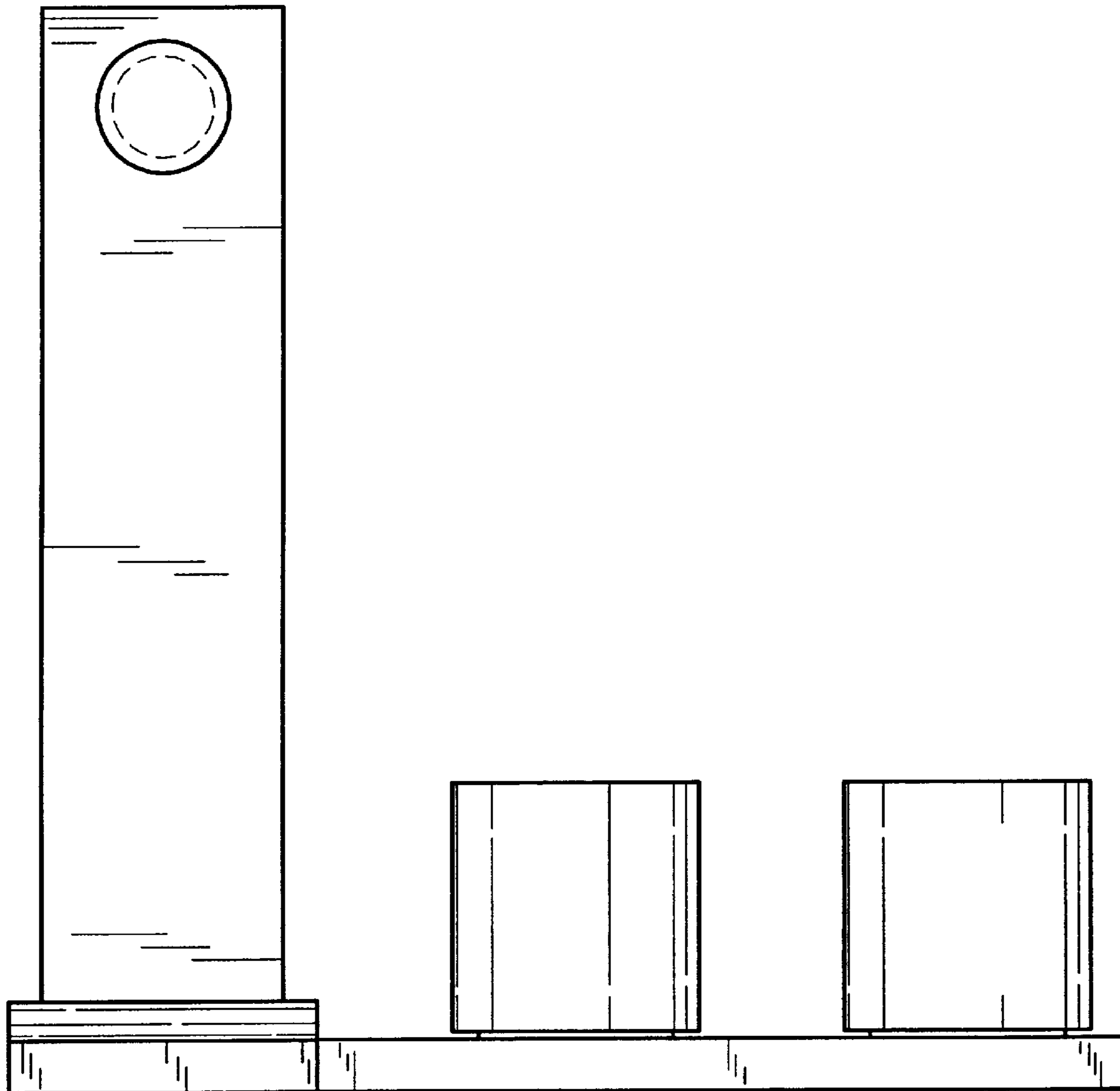


FIG. 5

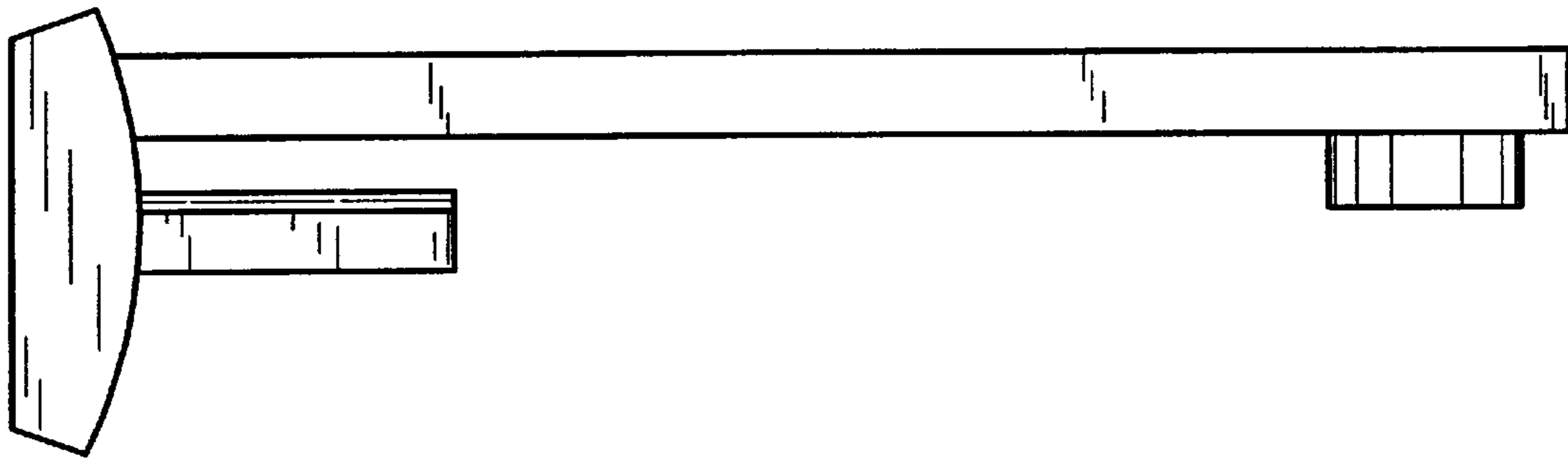


FIG.6

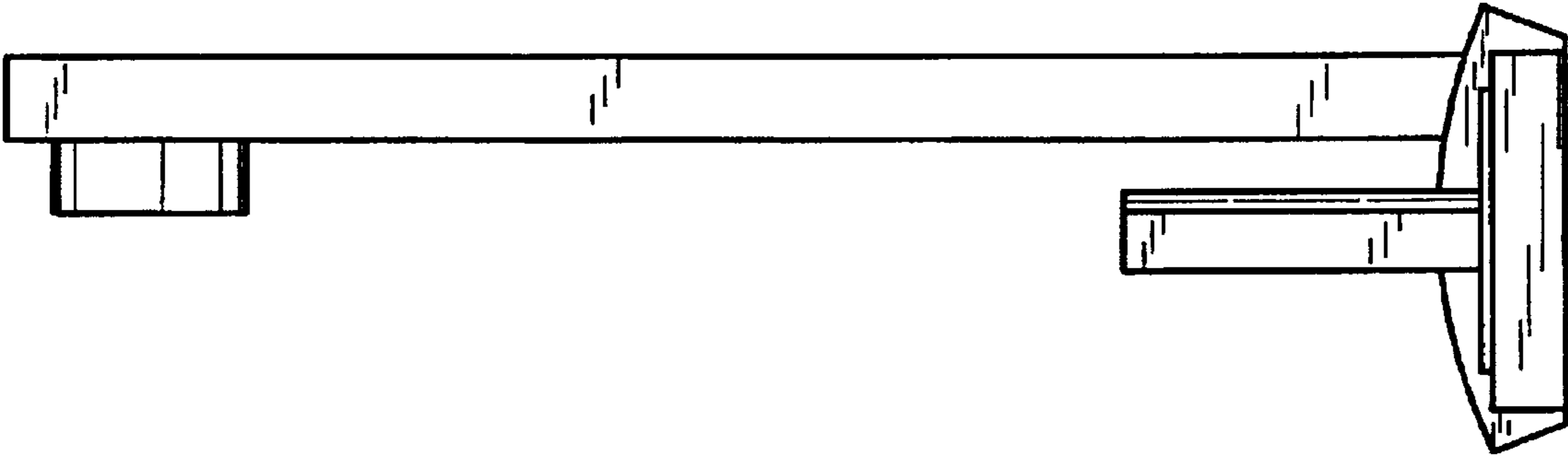


FIG. 7



FIG. 8

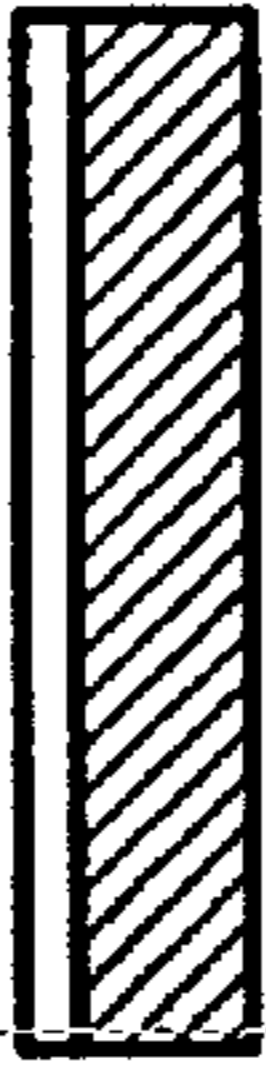


FIG. 9