



US00D525336S

(12) **United States Design Patent** (10) **Patent No.:** **US D525,336 S**
Esch (45) **Date of Patent:** **** Jul. 18, 2006**

(54) **SLING MOUNTING APPARATUS**

(76) Inventor: **Brian Esch**, 3705 257th Ave., SE,
Issaquah, WA (US) 98029

(**) Term: **14 Years**

(21) Appl. No.: **29/209,250**

(22) Filed: **Jul. 13, 2004**

(51) **LOC (8) Cl.** **22-01**

(52) **U.S. Cl.** **D22/108**

(58) **Field of Classification Search** D22/108,
D22/109, 199; D3/222, 223; 42/85, 94, 124-128;
89/37.01, 37.04, 37.12; 224/149, 150, 913;
D6/315, 318, 327, 328; 24/2.5, 24
See application file for complete search history.

(56) **References Cited**

U.S. PATENT DOCUMENTS

2,480,662	A	8/1949	McKinzie	
3,704,537	A	12/1972	McKinzie	
3,715,827	A	2/1973	McKinzie	
4,454,675	A	6/1984	Ives	
5,067,267	A	11/1991	Ives	
5,303,859	A	* 4/1994	Jenkin	224/149
5,915,939	A	6/1999	French	
6,178,600	B1	1/2001	French	
6,260,748	B1	* 7/2001	Lindsey	224/150
6,325,258	B1	* 12/2001	Verdugo et al.	224/150
6,354,034	B1	3/2002	Norris, Sr.	
6,536,153	B1	* 3/2003	Lindsey	42/85
6,536,154	B1	3/2003	Norris	
D495,870	S	* 9/2004	Verdugo	D22/108
D508,726	S	* 8/2005	Storch	D22/108

OTHER PUBLICATIONS

Lightfighter Tactical webpage printout showing various sling mounting devices. Printout from www.lightfighter.com dated Sep. 14, 2004.

Midwest Tactical webpage printout showing various sling mounting devices. Printout from www.midwesttactical.com dated Sep. 14, 2004.

Eagle Firearms webpage printout showing various sling mounting devices. Printout from www.eaglefirearms.net dated Sep. 14, 2004.

Knight's Armament Co. webpage printout showing various sling mounting devices. Printout from www.calssportingarmory.com dated Sep. 14, 2004.

Operation Parts webpage printout showing various sling mounting devices. Printout from www.operationparts.com dated Sep. 14, 2004.

Michael's of Oregon Co. webpage printout showing various sling mounting devices. Printout from www.uncle-mikes.com dated Sep. 14, 2004.

* cited by examiner

Primary Examiner—Ian Simmons

Assistant Examiner—Melanie Levy

(74) *Attorney, Agent, or Firm*—Seed IP Law Group PLLC

(57) **CLAIM**

The ornamental design for a sling mounting apparatus, as shown and described.

DESCRIPTION

FIG. 1 is a perspective view of a sling mounting apparatus showing our new design;

FIG. 2 is a top view thereof;

FIG. 3 is a left view thereof, the right view being a mirror image thereto;

FIG. 4 is a bottom view thereof;

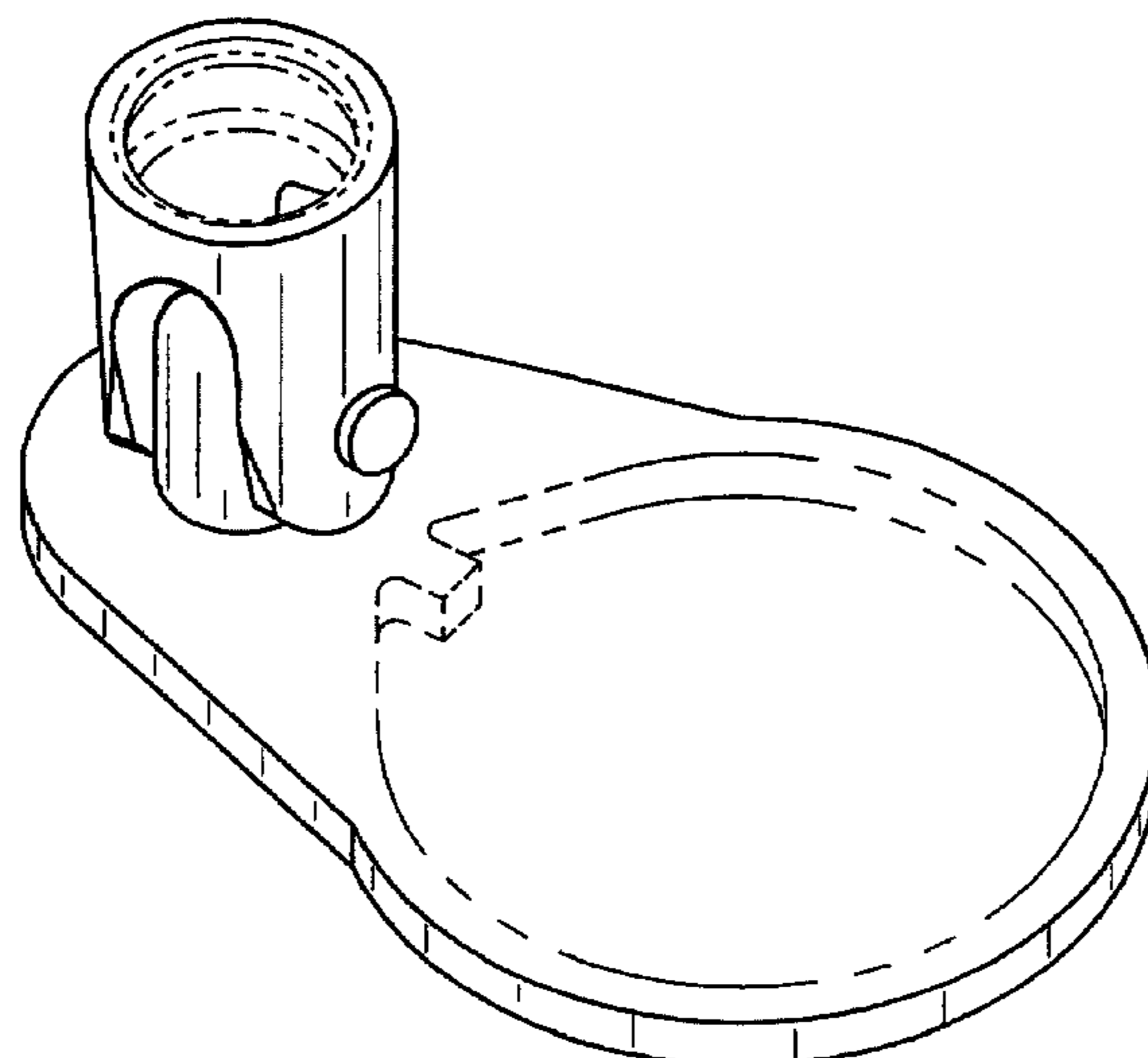
FIG. 5 is a front view thereof;

FIG. 6 is a rear view thereof; and,

FIG. 7 is a perspective view of the sling mounting apparatus of FIG. 1 with a portion thereof pivoted into a second position.

The broken line showings of the sling mounting apparatus are for illustrative purposes only and form no part of the claimed design.

1 Claim, 2 Drawing Sheets



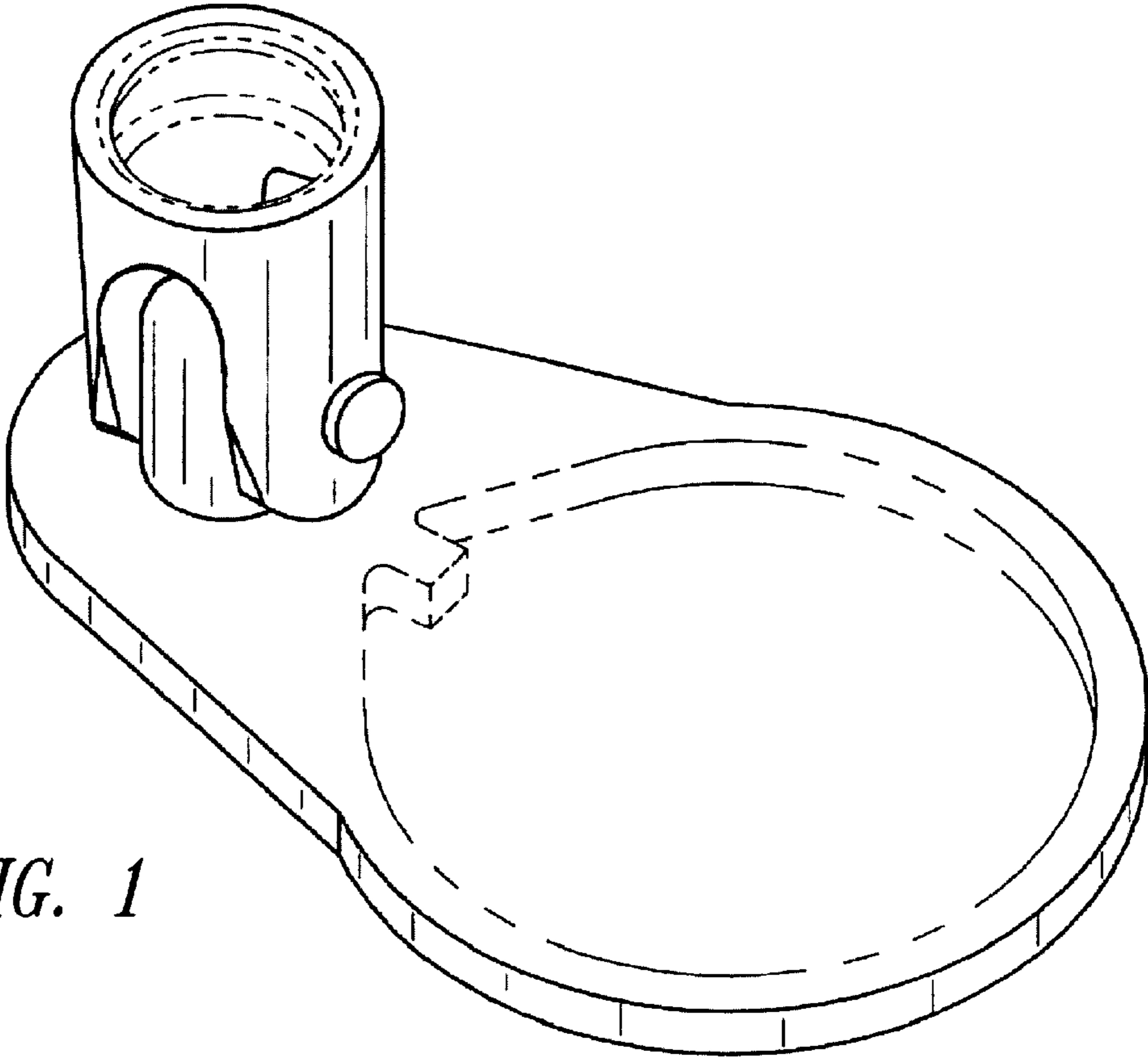


FIG. 1

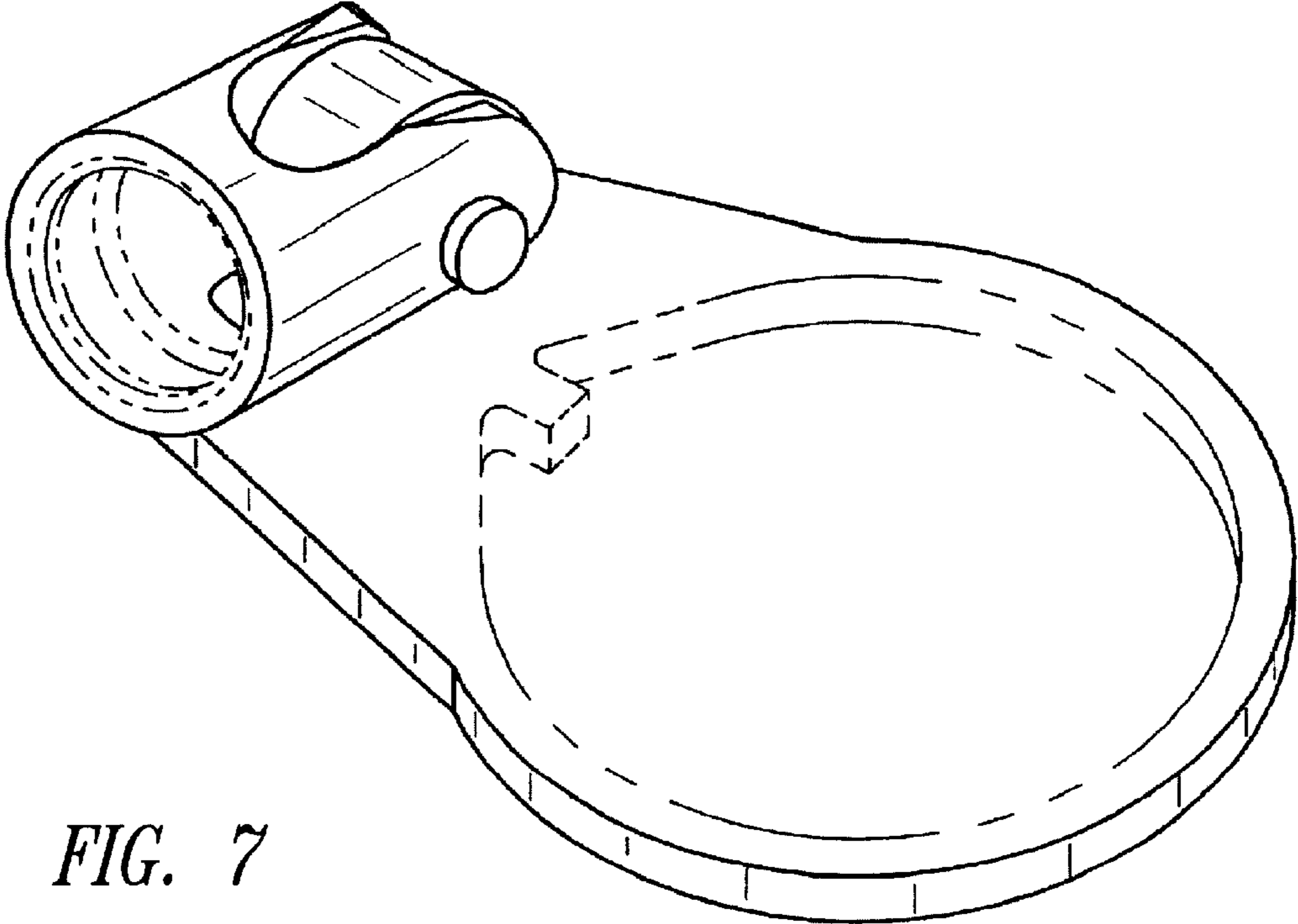


FIG. 7

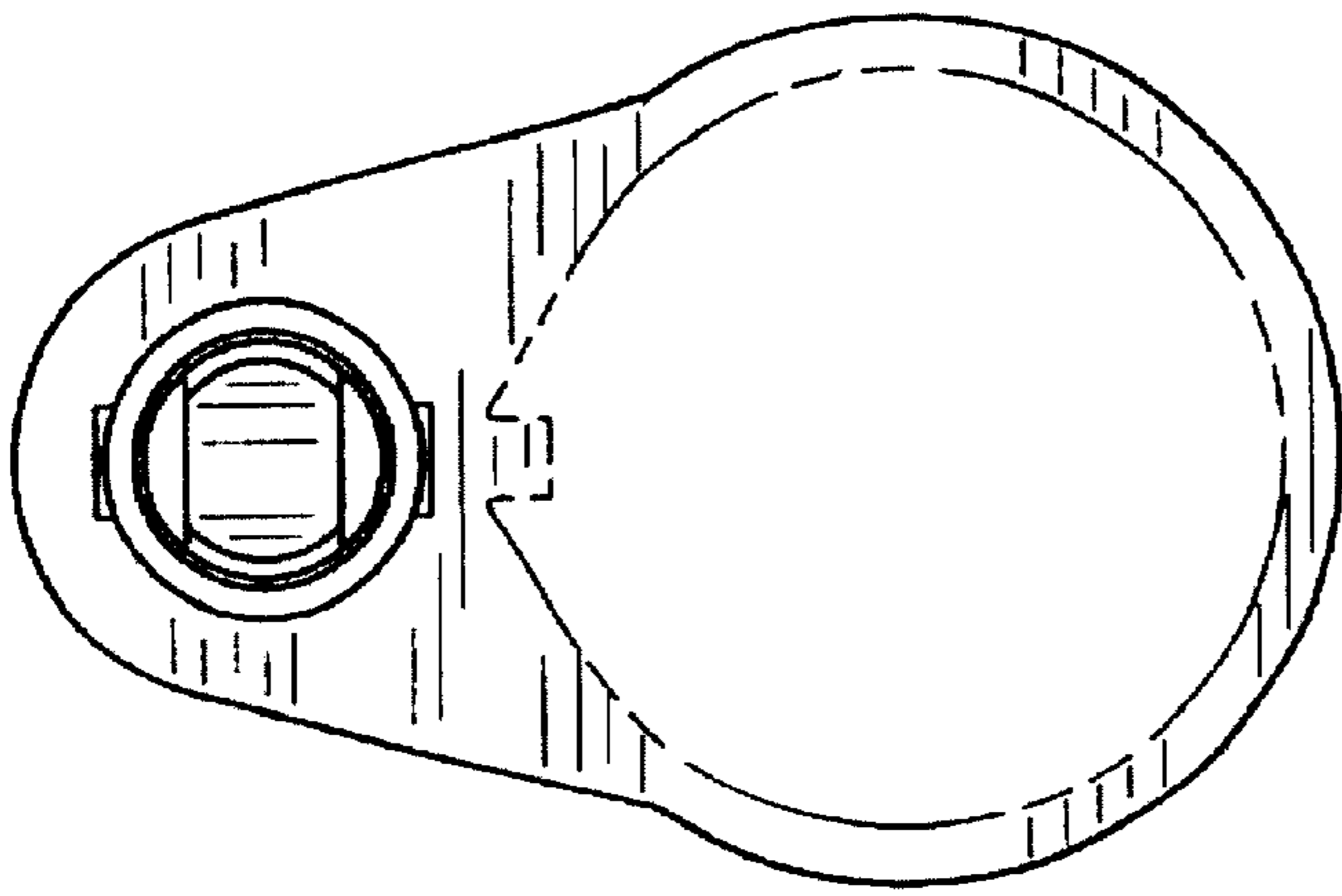


FIG. 2

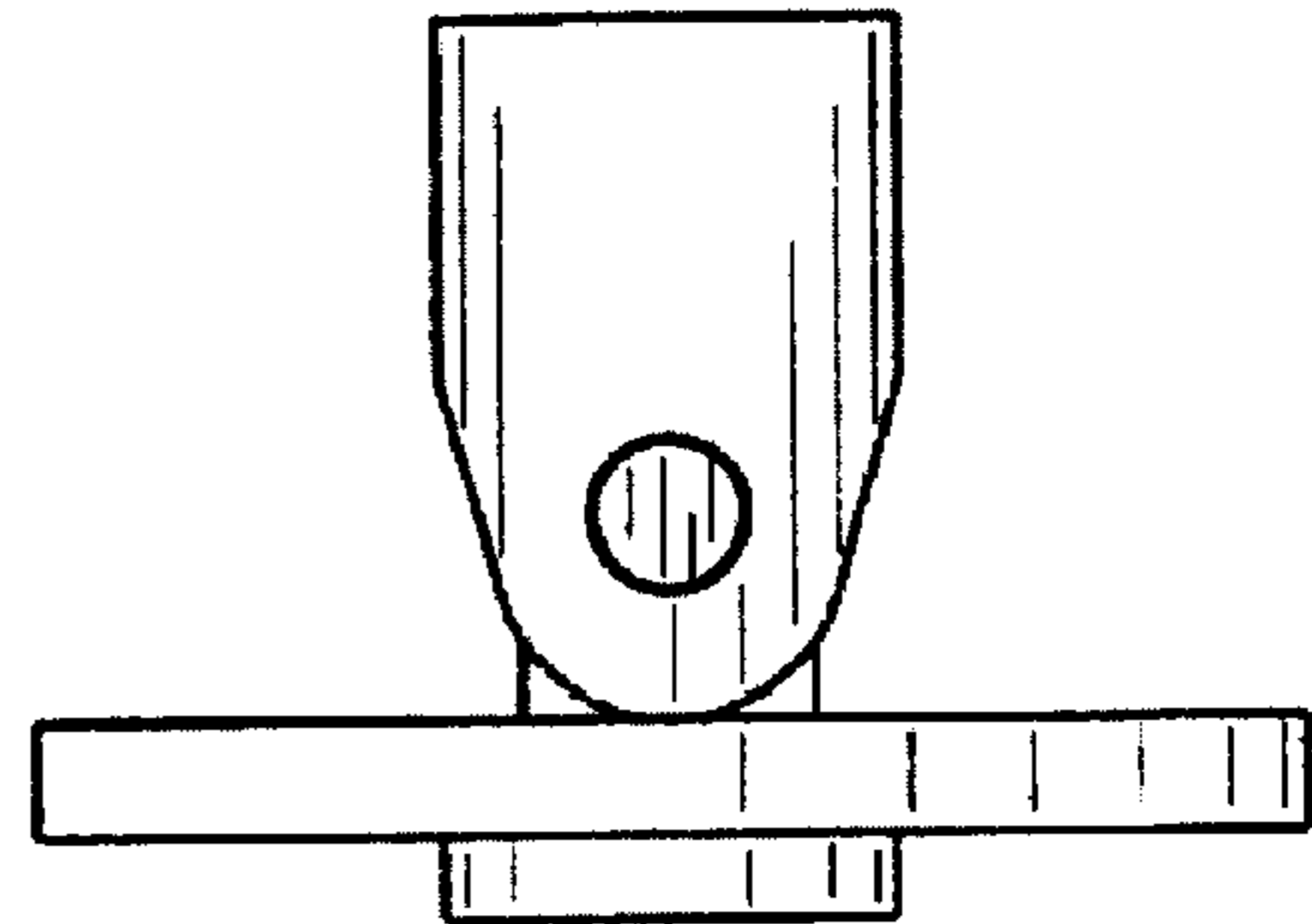


FIG. 5

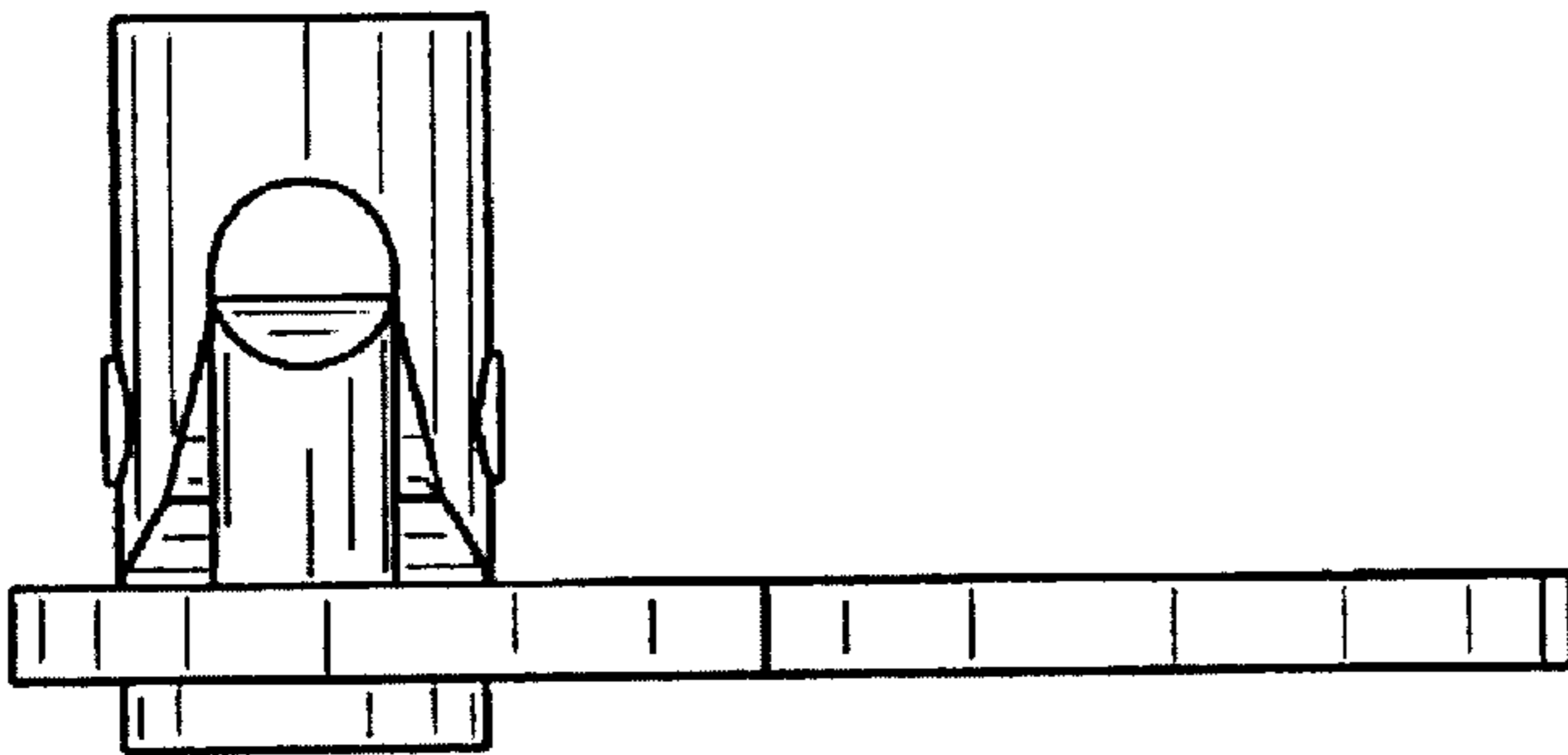


FIG. 3

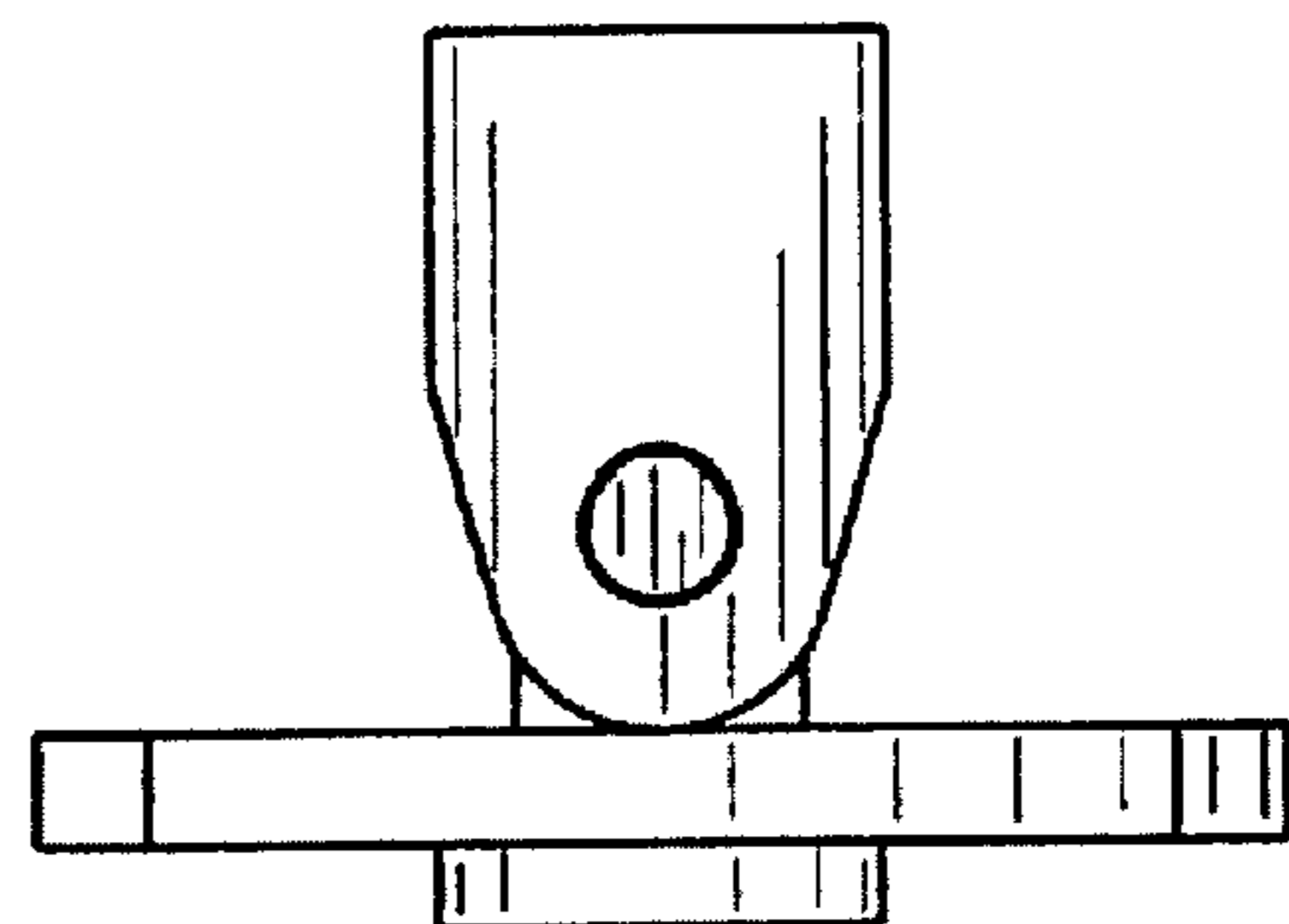


FIG. 6

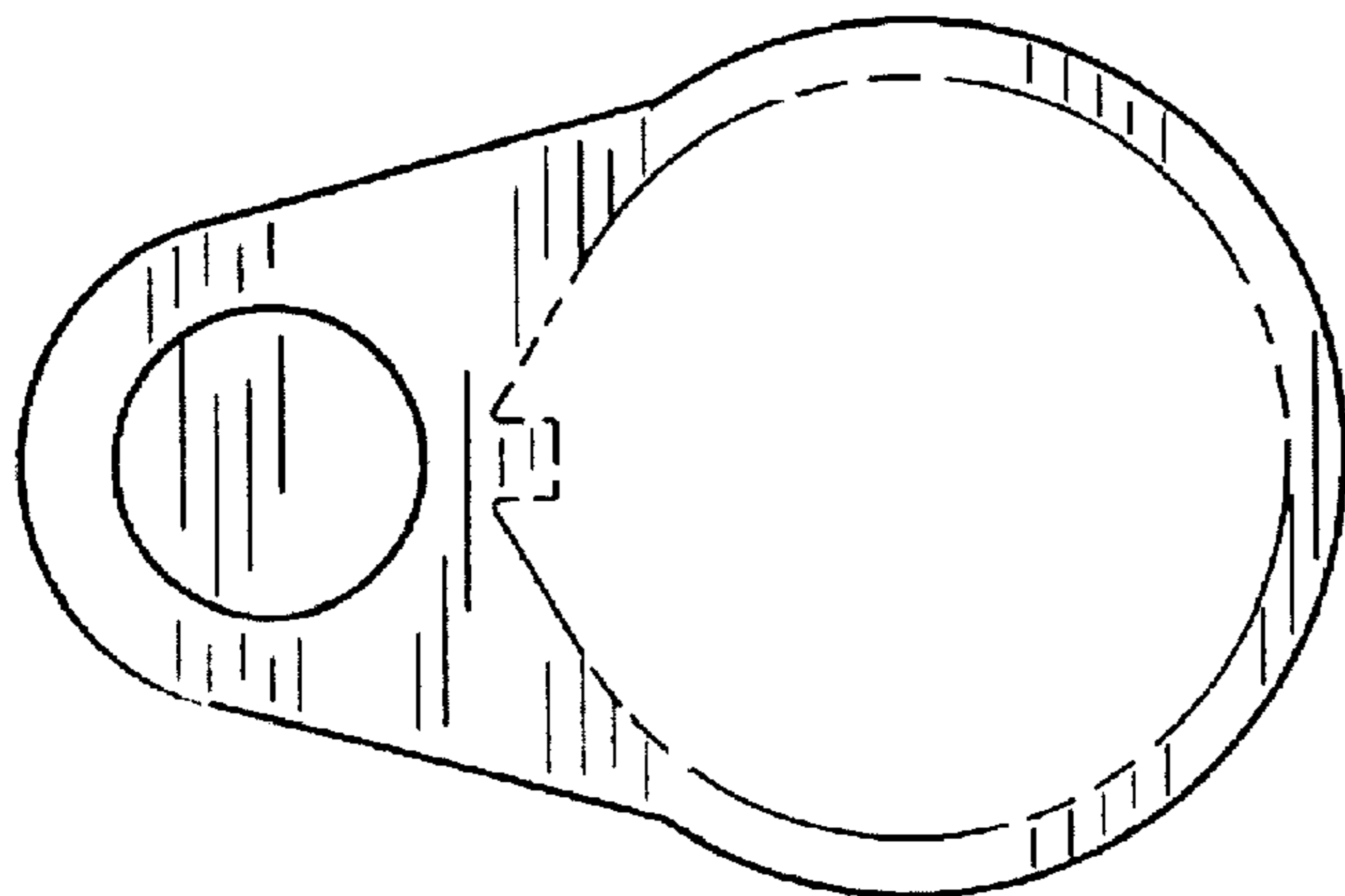


FIG. 4