



US00D525330S

(12) **United States Design Patent**
Imamoto

(10) **Patent No.:** **US D525,330 S**
(45) **Date of Patent:** **** Jul. 18, 2006**

(54) **GOLF CLUB HEAD**

D490,129 S * 5/2004 Greene D21/749
D494,649 S * 8/2004 Imamoto D21/748

(75) Inventor: **Yasunori Imamoto**, Kawasaki (JP)

FOREIGN PATENT DOCUMENTS

(73) Assignee: **Bridgestone Sports Co., Ltd.**, Tokyo (JP)

JP	485911	10/1953
JP	800821	8/1990
JP	878360	6/1993
JP	1140038	3/2002

(**) Term: **14 Years**

OTHER PUBLICATIONS

(21) Appl. No.: **29/243,983**

792 VAS Iron, Golf Equipment Universal Catalogue, p. 221, 1993.

(22) Filed: **Dec. 5, 2005**

Related U.S. Application Data

(62) Division of application No. 29/217,830, filed on Nov. 23, 2004.

* cited by examiner

(30) **Foreign Application Priority Data**

May 24, 2004 (KR) 30-2004-0015122

Primary Examiner—Mitchell Siegel

(74) *Attorney, Agent, or Firm*—Drinker Biddle & Reath LLP

(51) **LOC (8) Cl.** **21-02**

(52) **U.S. Cl.** **D21/749**

(58) **Field of Classification Search** D21/747–751,
D21/759; 473/324–331, 350

See application file for complete search history.

(57) **CLAIM**

The ornamental design for a golf club head, as shown.

(56) **References Cited**

U.S. PATENT DOCUMENTS

D256,264 S	8/1980	Solheim	
D354,326 S	* 1/1995	Cleveland	D21/748
D355,688 S	* 2/1995	Cleveland	D21/749
5,423,546 A	* 6/1995	Manning et al.	473/331
D372,285 S	7/1996	Fortini	
D372,286 S	7/1996	Fortini	
D375,769 S	* 11/1996	Hutin et al.	D21/749
D377,381 S	1/1997	Takahashi et al.	
D404,453 S	1/1999	Wonzy et al.	
D422,043 S	3/2000	Kubica et al.	
D429,299 S	8/2000	Kubica et al.	
D465,252 S	11/2002	McCabe	
D466,960 S	12/2002	Imamoto	

DESCRIPTION

FIG. 1 is a first perspective view of a preferred embodiment of a segment of a golf club head in accordance with my new design.

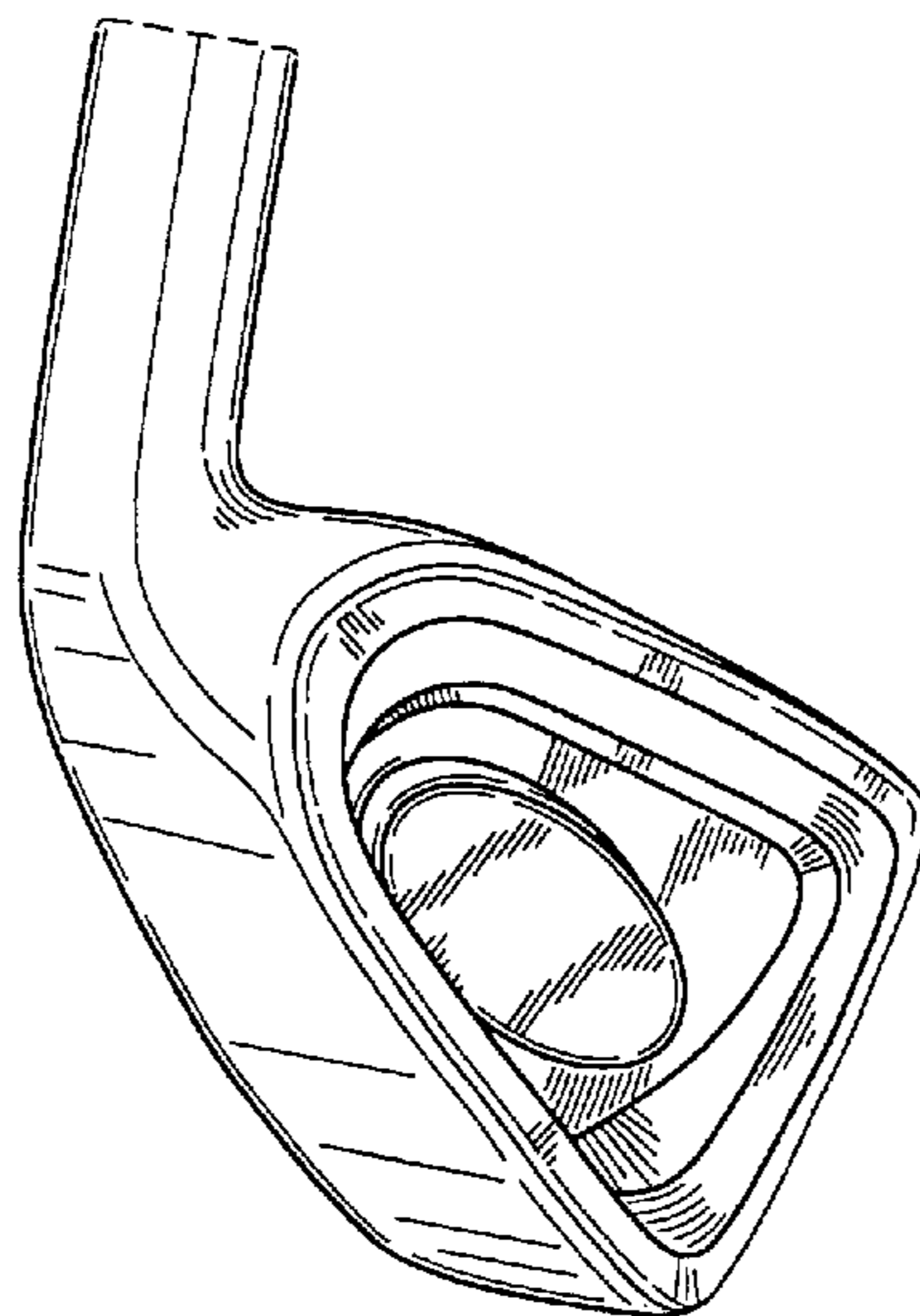
FIG. 2 is a second perspective view of the preferred embodiment of the segment of a golf club head shown in FIG. 1; and,

FIG. 3 is a rear view of the preferred embodiment of the segment of a golf club head shown in FIG. 1.

The broken lines in an area surrounding the segment on the rear of the golf club head shown in FIG. 1–3 are illustrative of an exemplary golf club head and shows an environment in which the segment on the rear of the golf club head is associated. The exemplary golf club head does not form a part of the claimed design.

The broken line showing is for illustrative purposes only and forms no part of the claimed design.

1 Claim, 2 Drawing Sheets



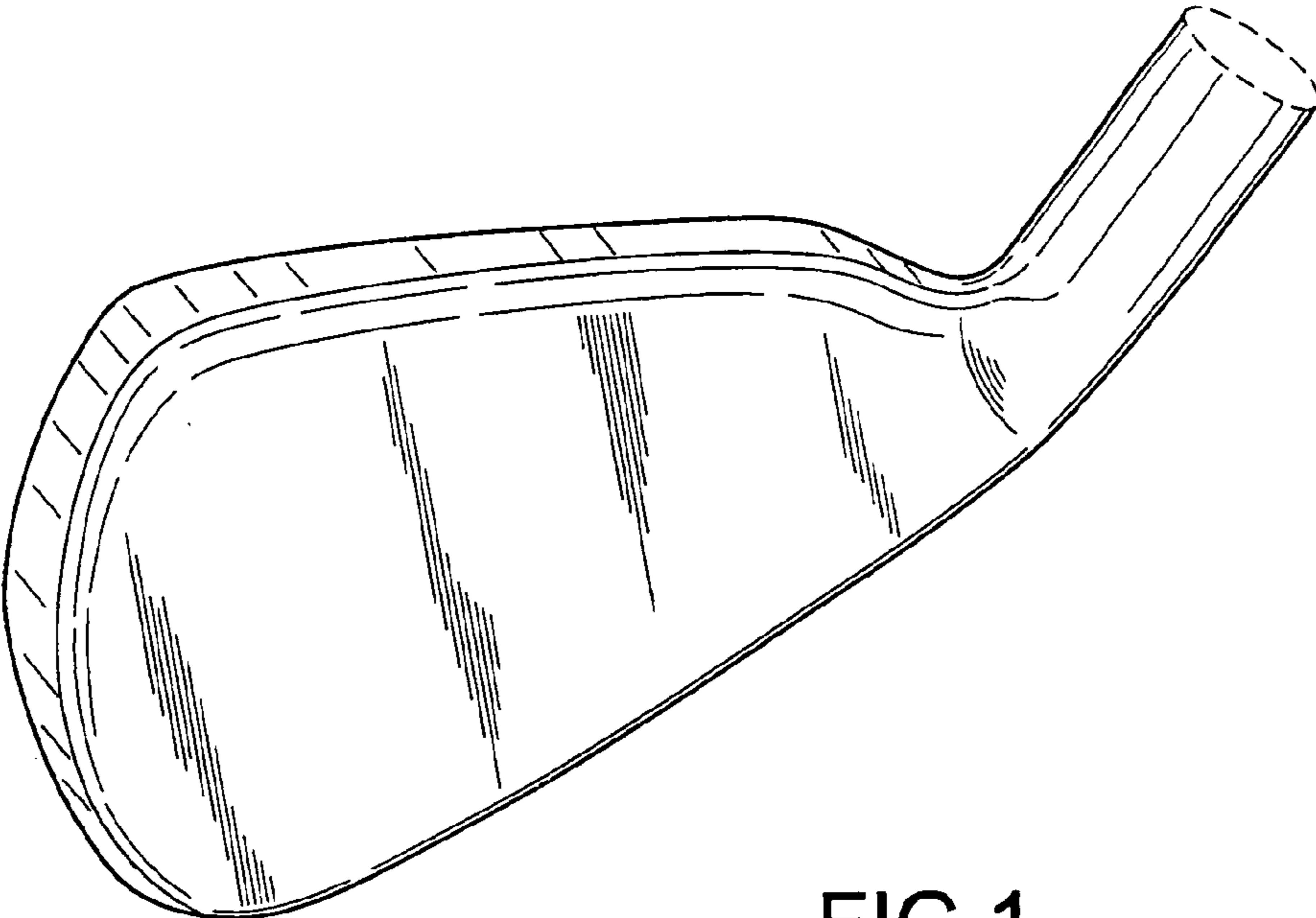


FIG. 1

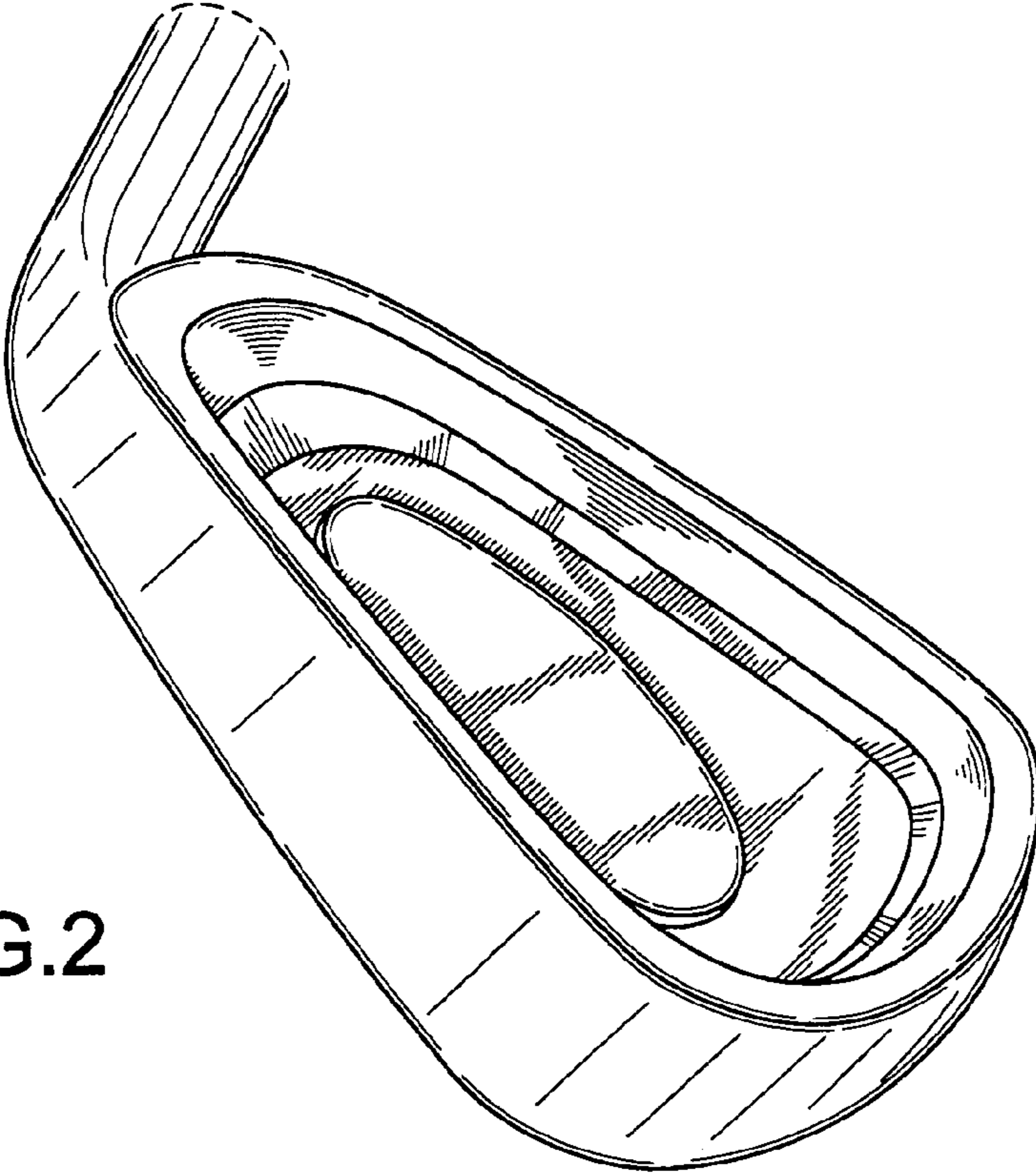


FIG. 2

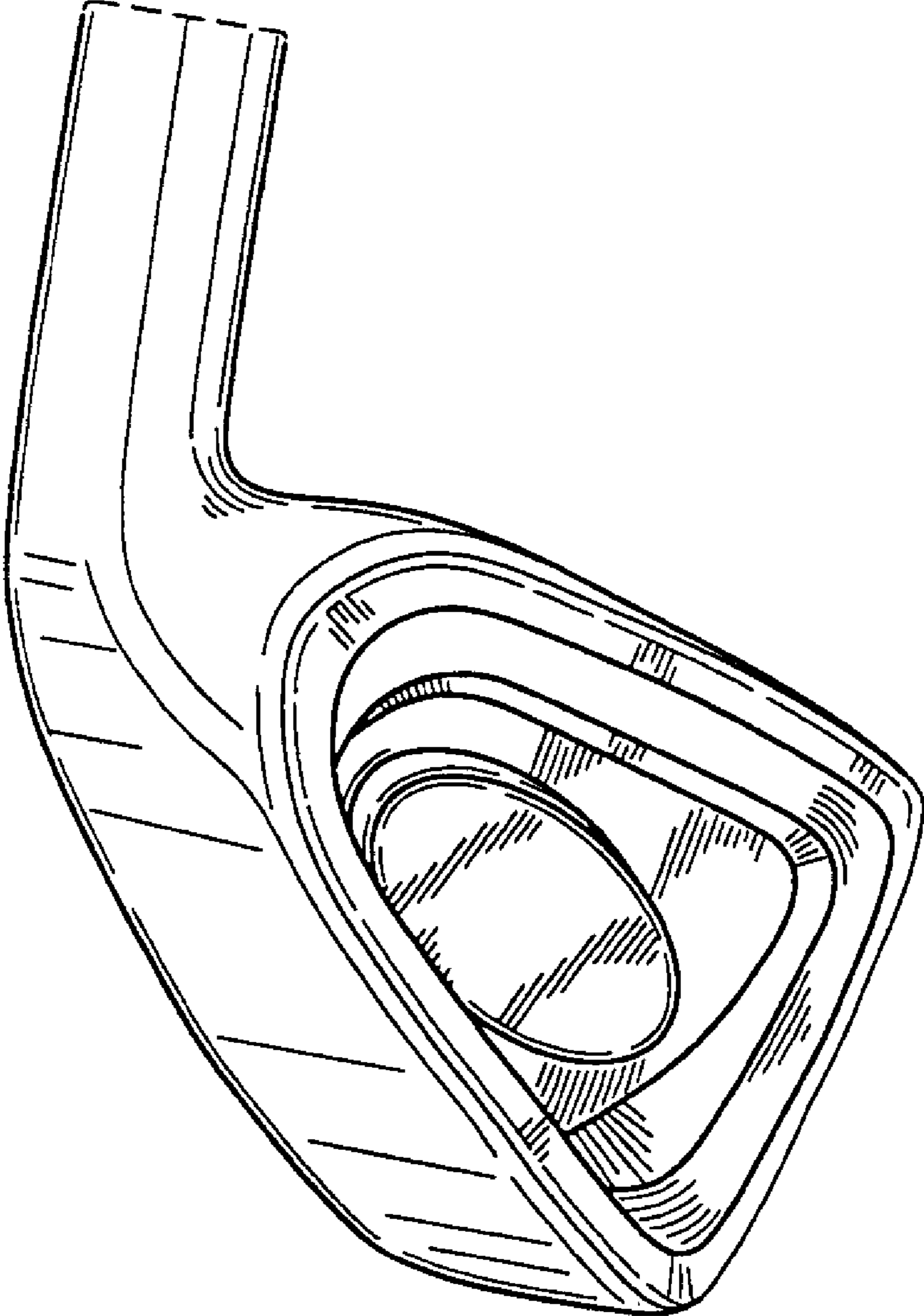


FIG.3