

US00D525320S

(12) **United States Design Patent**
Noguchi

(10) **Patent No.:** **US D525,320 S**
(45) **Date of Patent:** **** Jul. 18, 2006**

(54) **RADIO REMOTE CONTROL UNIT**

(75) Inventor: **Yoshihiro Noguchi**, Mobara (JP)

(73) Assignee: **Futaba Corporation**, Chiba-ken (JP)

(**) Term: **14 Years**

(21) Appl. No.: **29/192,581**

(22) Filed: **Oct. 27, 2003**

(51) **LOC (8) Cl.** **21-01**

(52) **U.S. Cl.** **D21/566**

(58) **Field of Classification Search** D21/266,
D21/324, 331, 333; D14/400, 401, 217, 218;
446/454-456; 463/6, 7, 37-39, 46, 47; D13/168
See application file for complete search history.

(56) **References Cited**

U.S. PATENT DOCUMENTS

4,552,360	A	*	11/1985	Bromley et al.	463/38
D283,718	S		5/1986	Kondo	
D302,446	S	*	7/1989	Cheng	D21/566
D313,439	S		1/1991	Kohno	
5,158,495	A		10/1992	Yonezawa	
D389,529	S	*	1/1998	Hayami	D14/401
D390,613	S		2/1998	Kanetsuna et al.	
D411,265	S		6/1999	Kanetsuna et al.	

6,342,010	B1	*	1/2002	Slifer	463/39
D464,684	S	*	10/2002	Arai et al.	D21/566
D478,638	S	*	8/2003	Mukaida	D21/566
D480,117	S	*	9/2003	Mukaida	D21/566
D481,080	S		10/2003	Arai et al.	
D502,968	S	*	3/2005	Takahashi et al.	D21/566
D503,199	S	*	3/2005	Wei	D21/566
D503,439	S	*	3/2005	Galletti	D21/566
6,893,320	B1	*	5/2005	Caiozza	446/456

* cited by examiner

Primary Examiner—Holly Baynham

Assistant Examiner—Cynthia M. Chin

(74) *Attorney, Agent, or Firm*—Quarles & Brady LLP

(57) **CLAIM**

I claim the ornamental design for a radio remote control unit, as shown and described.

DESCRIPTION

FIG. 1 is a front elevational view of a radio remote control unit showing our new design;

FIG. 2 is a rear elevational view thereof;

FIG. 3 is a right side elevational view thereof;

FIG. 4 is a left side elevational view thereof;

FIG. 5 is a top plan view thereof; and,

FIG. 6 is a bottom plan view thereof.

1 Claim, 5 Drawing Sheets

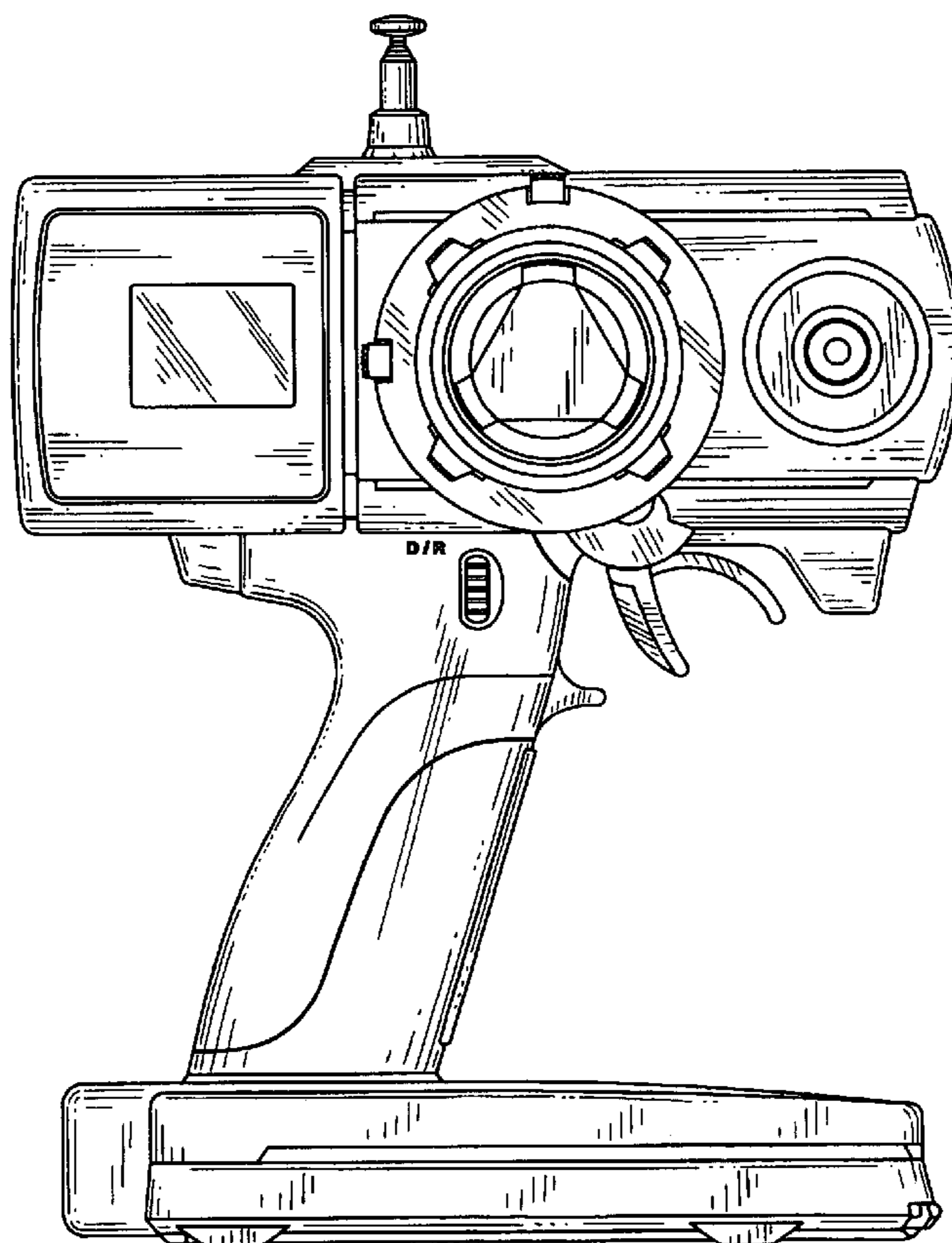


FIG.1

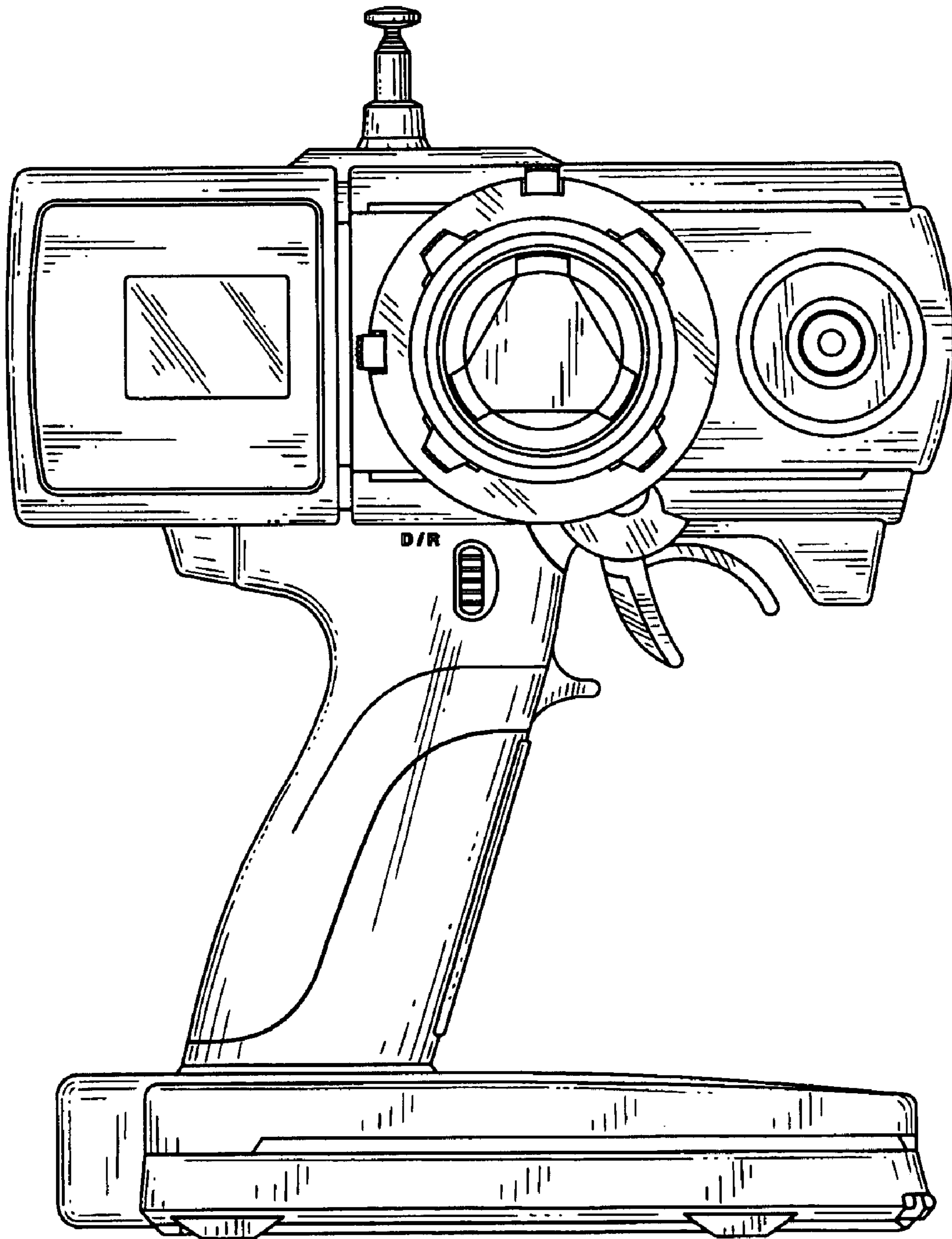


FIG.2

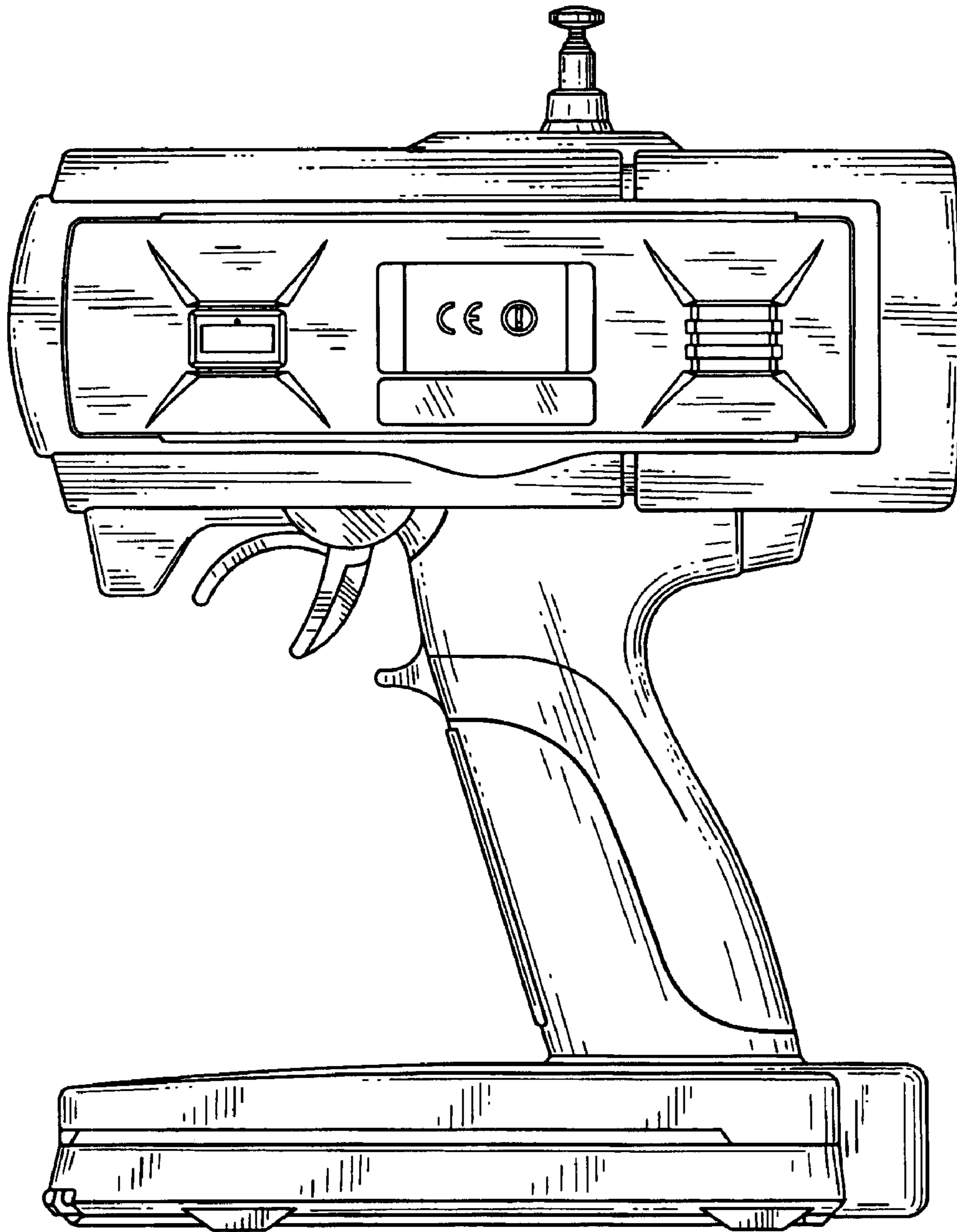


FIG.3

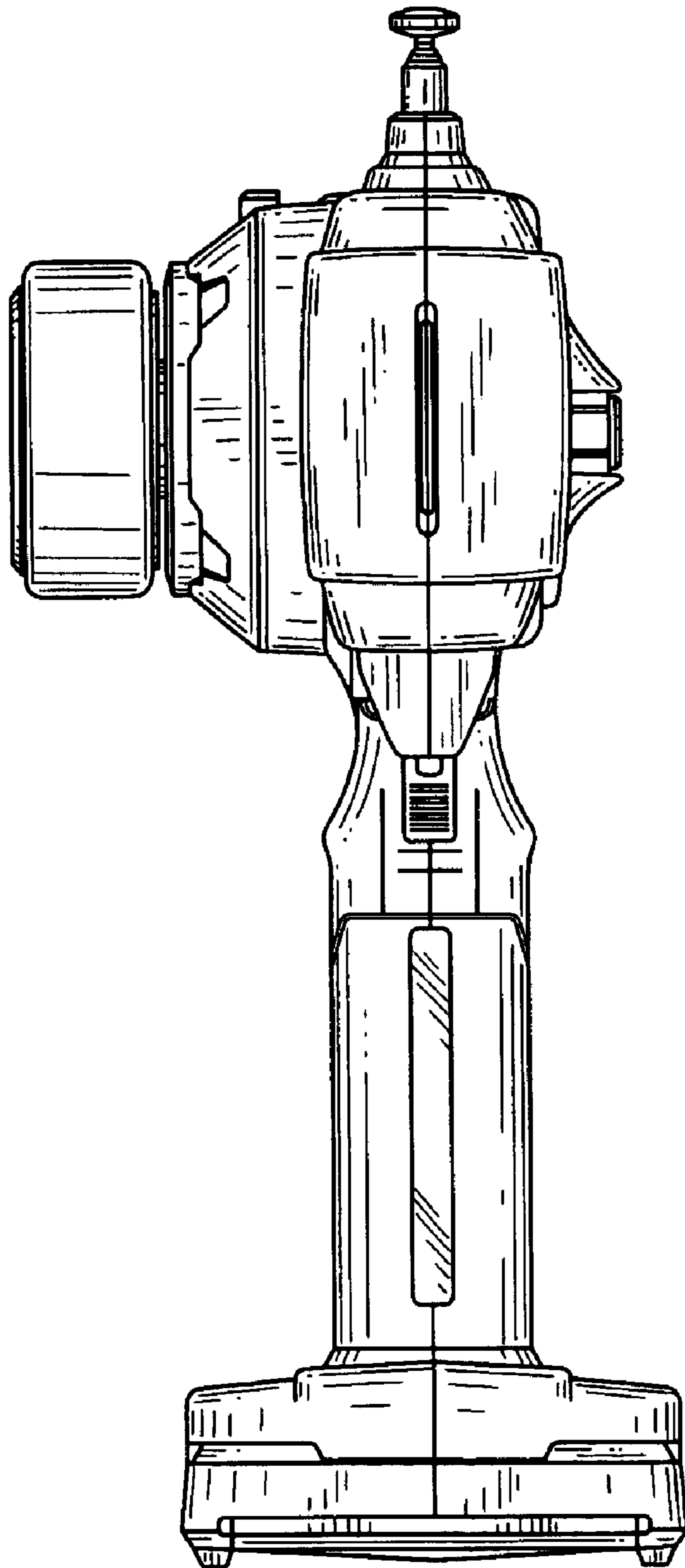


FIG.4

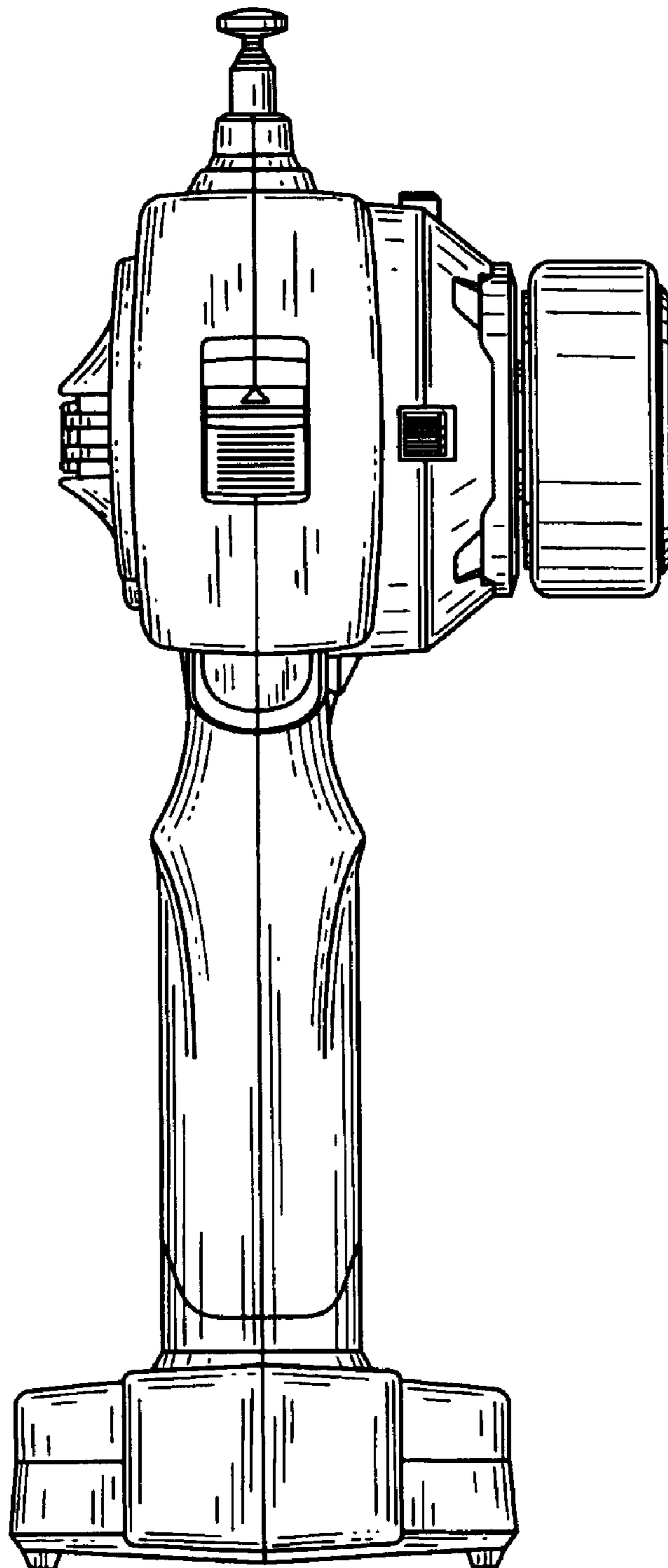


FIG.5

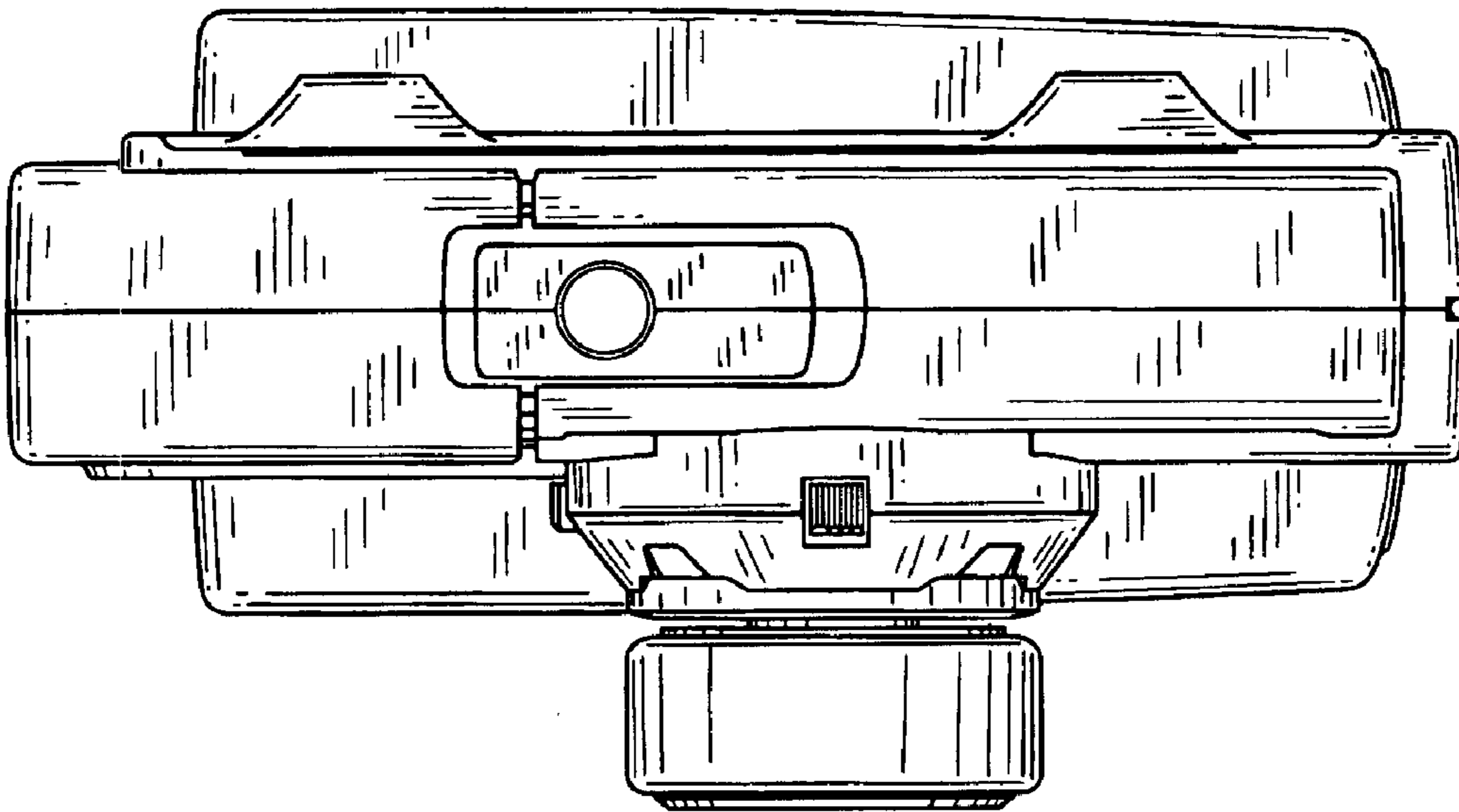


FIG.6

