



US00D525318S

(12) **United States Design Patent**
Campbell et al.

(10) **Patent No.:** **US D525,318 S**
(45) **Date of Patent:** **** Jul. 18, 2006**

(54) **ELECTRONIC MODULE FOR USE WITH A JUVENILE PRODUCT**

(75) Inventors: **George Campbell**, Wilmington, DE (US); **Gregory S. Sellers**, Christiana, PA (US)

(73) Assignee: **Graco Children's Products Inc.**, Exton, PA (US)

(**) Term: **14 Years**

(21) Appl. No.: **29/185,459**

(22) Filed: **Jun. 30, 2003**

(51) **LOC (8) Cl.** **21-01**

(52) **U.S. Cl.** **D21/405**; D21/476; D14/299; D26/51; D6/503

(58) **Field of Classification Search** D21/398, D21/405, 324, 326, 327, 475, 476, 477; D6/390, D6/491, 503; D13/162, 162.1, 184, 199; 446/175, 227, 397, 404, 408, 484, 242, 265; 40/455, 457, 463-466, 902, 906, 414; 5/503.1, 5/668, 663, 93.1, 97; D14/496, 155, 156, D14/158, 160, 168, 299; D26/51, 52, 60, D26/54

See application file for complete search history.

(56) **References Cited**

U.S. PATENT DOCUMENTS

2,050,044	A	*	8/1936	D'Onofrio	312/7.1
D224,661	S	*	8/1972	Thornell	D21/405
3,840,924	A	*	10/1974	Hamilton	362/130
4,207,696	A	*	6/1980	Hyman et al.	40/473
4,363,181	A	*	12/1982	Hyman et al.	40/466
D285,946	S	*	9/1986	Toth	D21/467
4,640,034	A	*	2/1987	Zisholtz	40/455
D336,351	S	*	6/1993	Freese et al.	D26/60
D392,694	S	*	3/1998	Granatier et al.	D21/465
D396,717	S	*	8/1998	Sidman et al.	D14/162
5,803,786	A	*	9/1998	McCormick	446/227

5,951,360	A	*	9/1999	Fearon et al.	446/227
6,113,455	A	*	9/2000	Whelan et al.	446/227
D435,020	S	*	12/2000	Zweig et al.	D13/162
6,413,141	B1	*	7/2002	Putney	446/227
D484,546	S	*	12/2003	Horchler	D21/329
6,658,678	B1	*	12/2003	Hotaling et al.	5/503.1

OTHER PUBLICATIONS

Web page for Light Vibes® Rocking Bassinet by Kolcraft, 1 pp. (date unknown), available at <http://www.kolcraft.com/products/nursery2.cfm?id=76&p=Bassinets>.

Web page for Nature's Lullaby Player by The First Years, 1 pp. (date unknown), available at <http://www.thefirstyears.com/products/product.asp?pValue=4112>.

* cited by examiner

Primary Examiner—Catherine Tuttle

(74) *Attorney, Agent, or Firm*—Lempia IP Group, LLC

(57) **CLAIM**

We claim the ornamental design for an electronic module for use with a juvenile product, as shown and described.

DESCRIPTION

FIG. 1 is a front perspective view of an electronic module, mounted to a playard to show an exemplary context, according to our new design;

FIG. 2 is a front perspective view of the electronic module according to our new design;

FIG. 3 is a front elevation view thereof;

FIG. 4 is a back elevation view thereof;

FIG. 5 is a left side elevation view thereof;

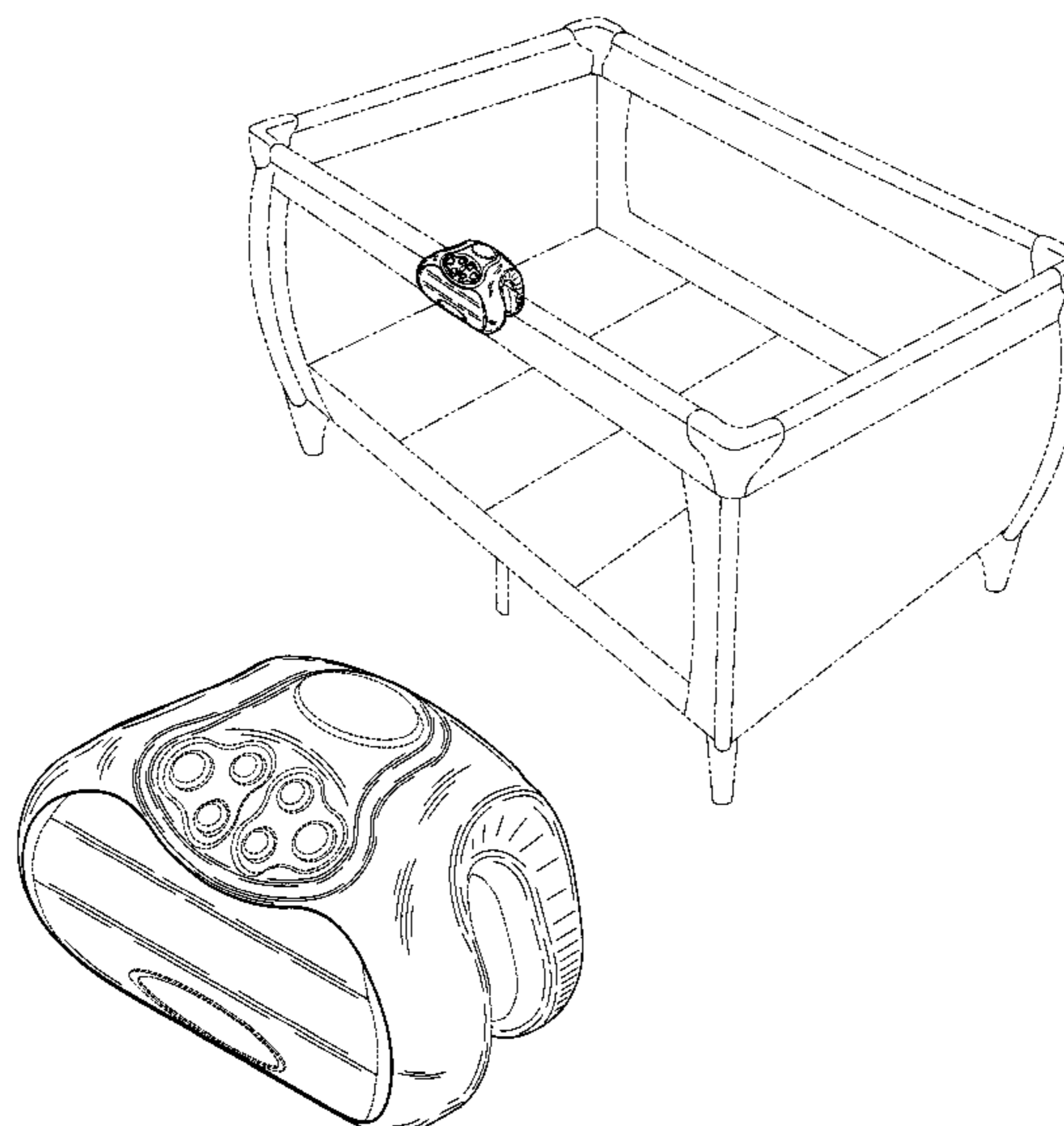
FIG. 6 is right side elevation view thereof;

FIG. 7 is a top view thereof; and,

FIG. 8 is a bottom view thereof.

The broken lines immediately and adjacent the shaded areas define the bounds of the claimed design. All other broken lines are for illustrative purposes only. None of the broken lines form part of the claimed design.

1 Claim, 5 Drawing Sheets



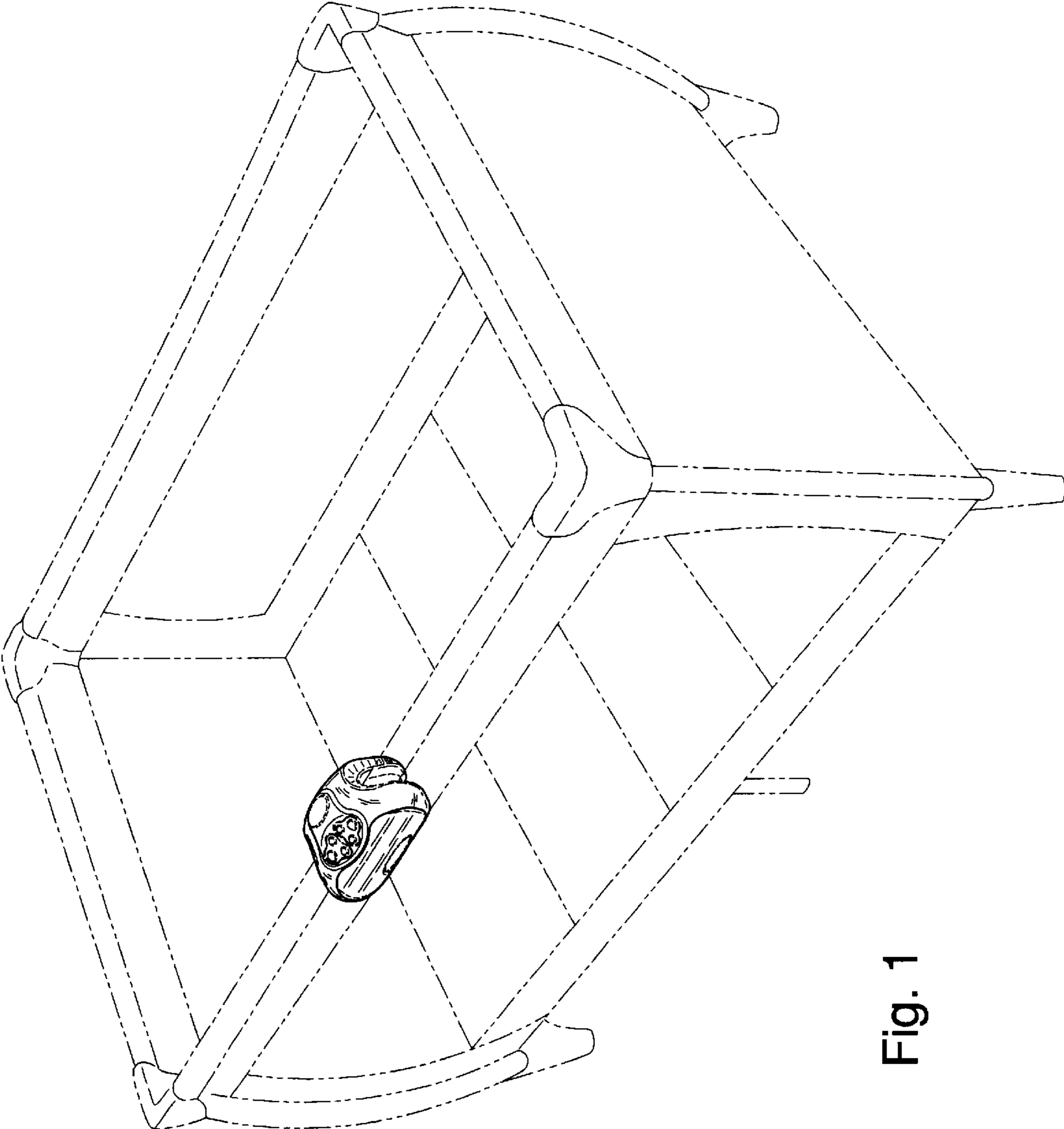


Fig. 1

Fig. 2

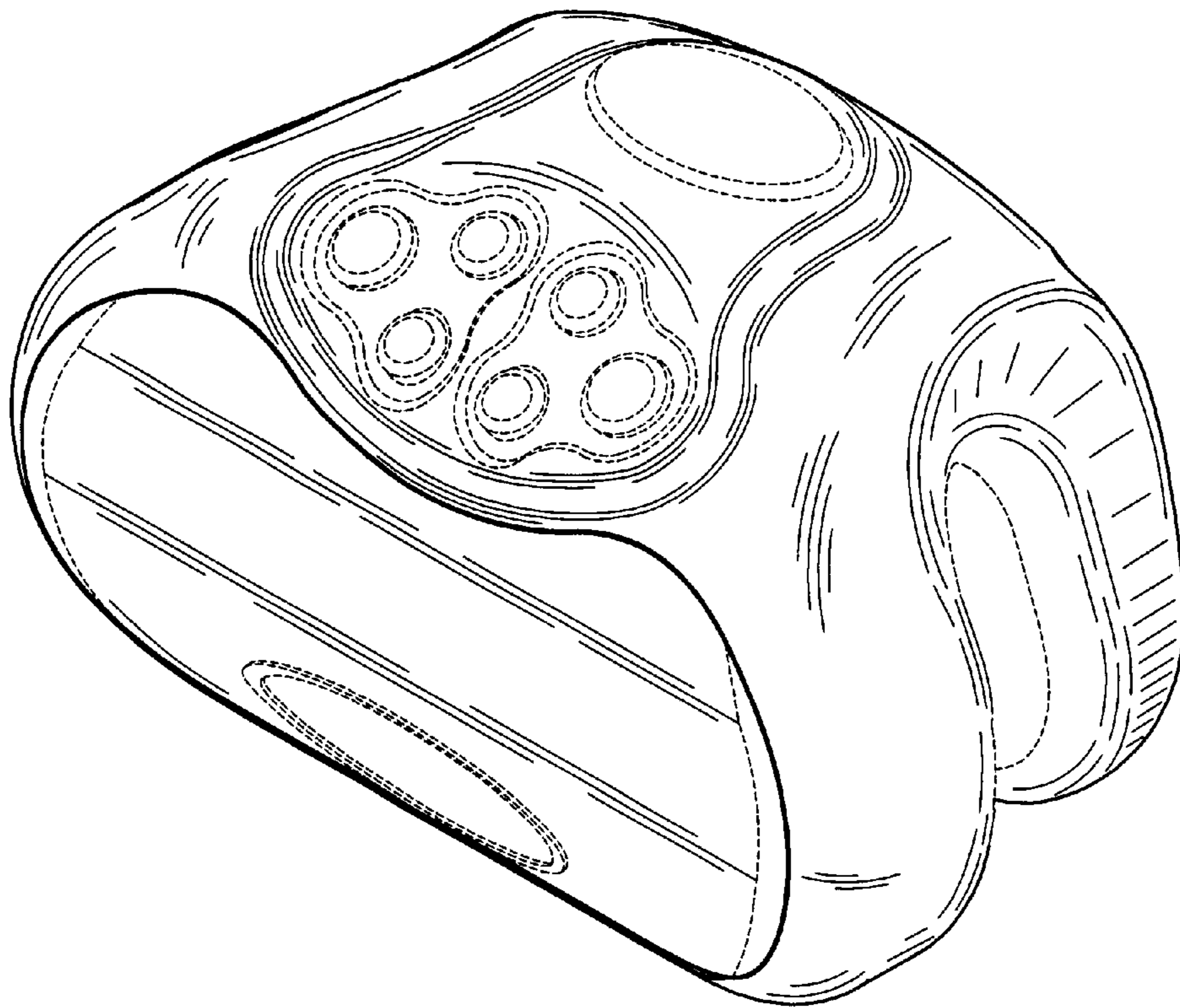


Fig. 3

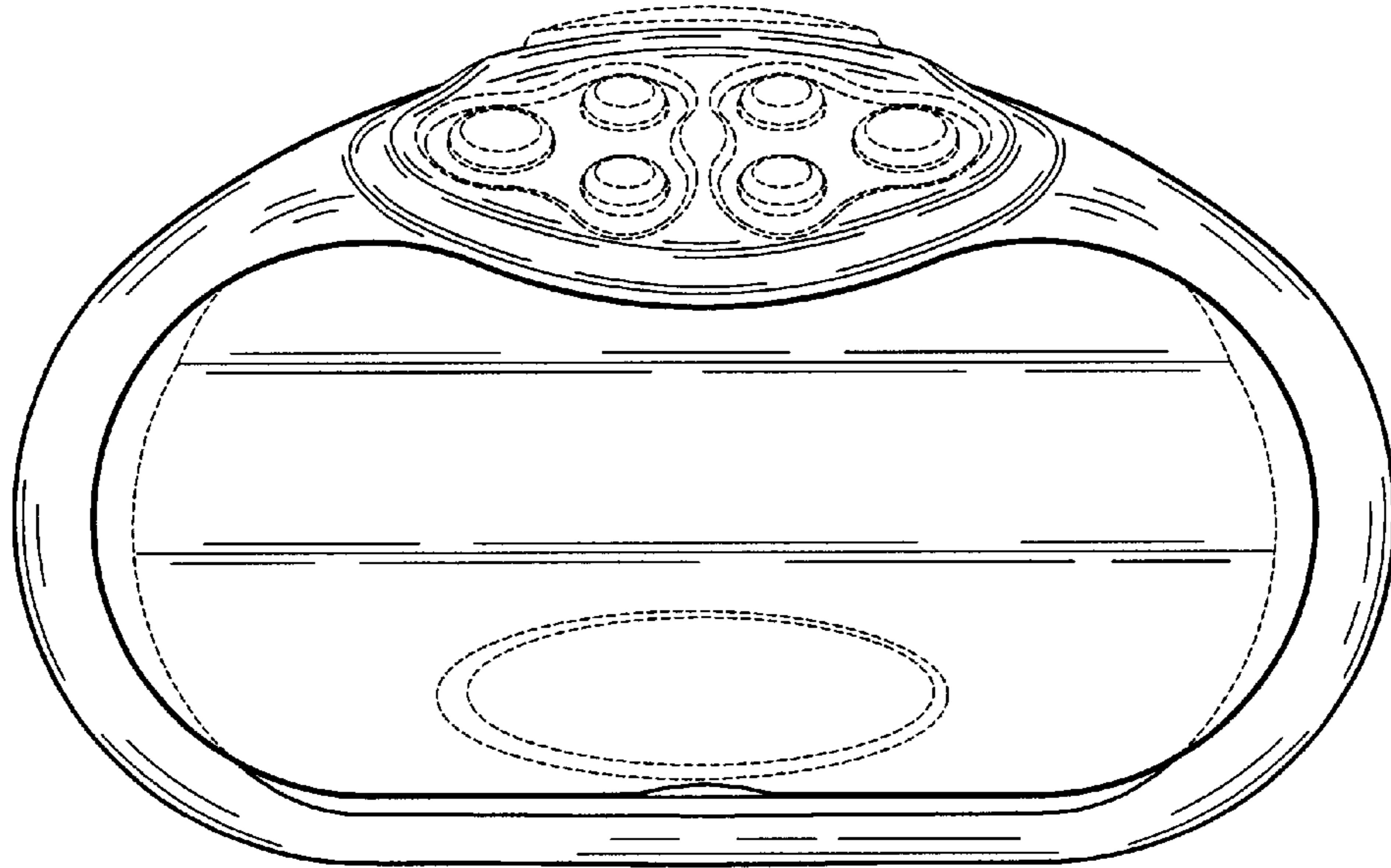


Fig. 4

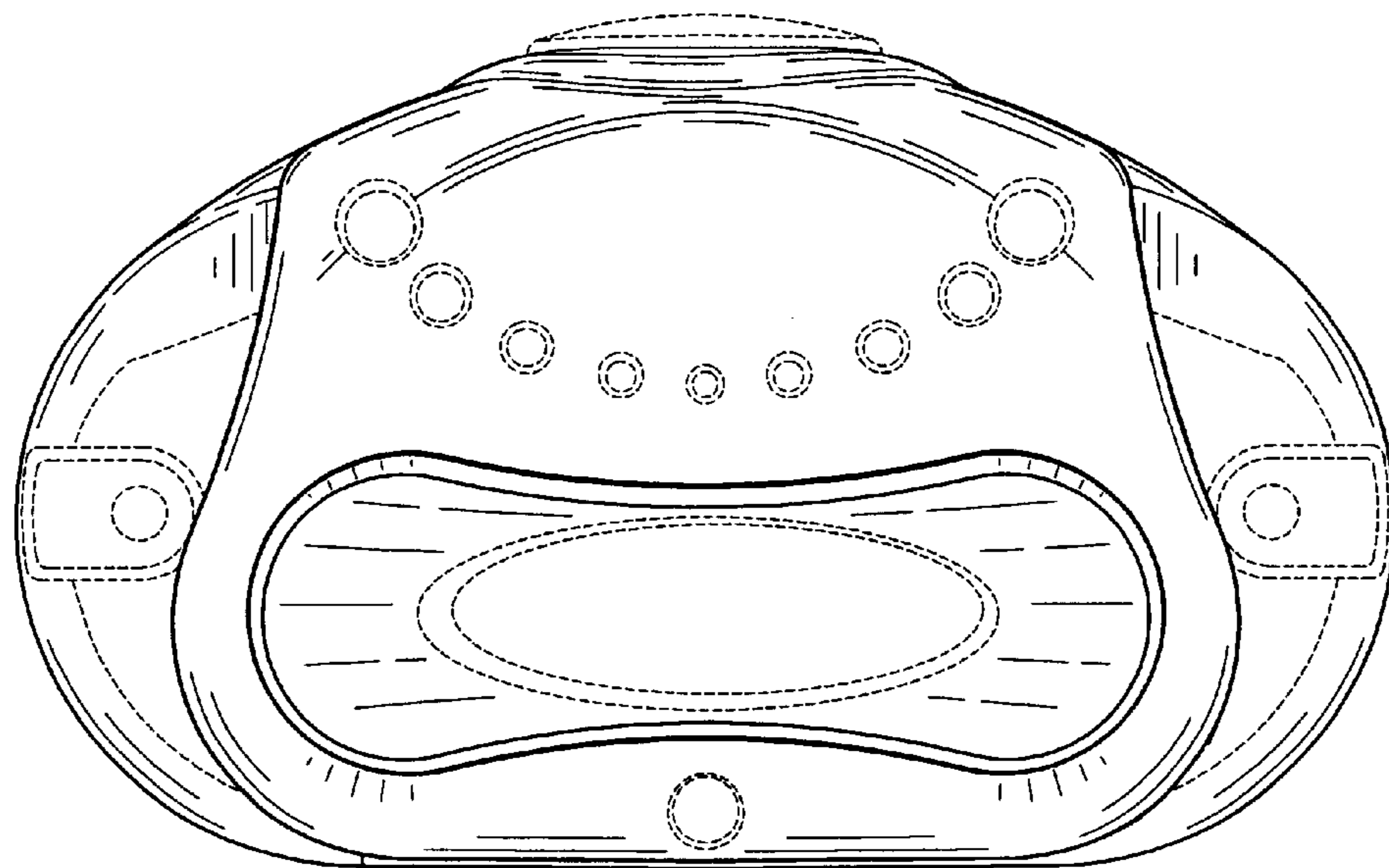


Fig. 5

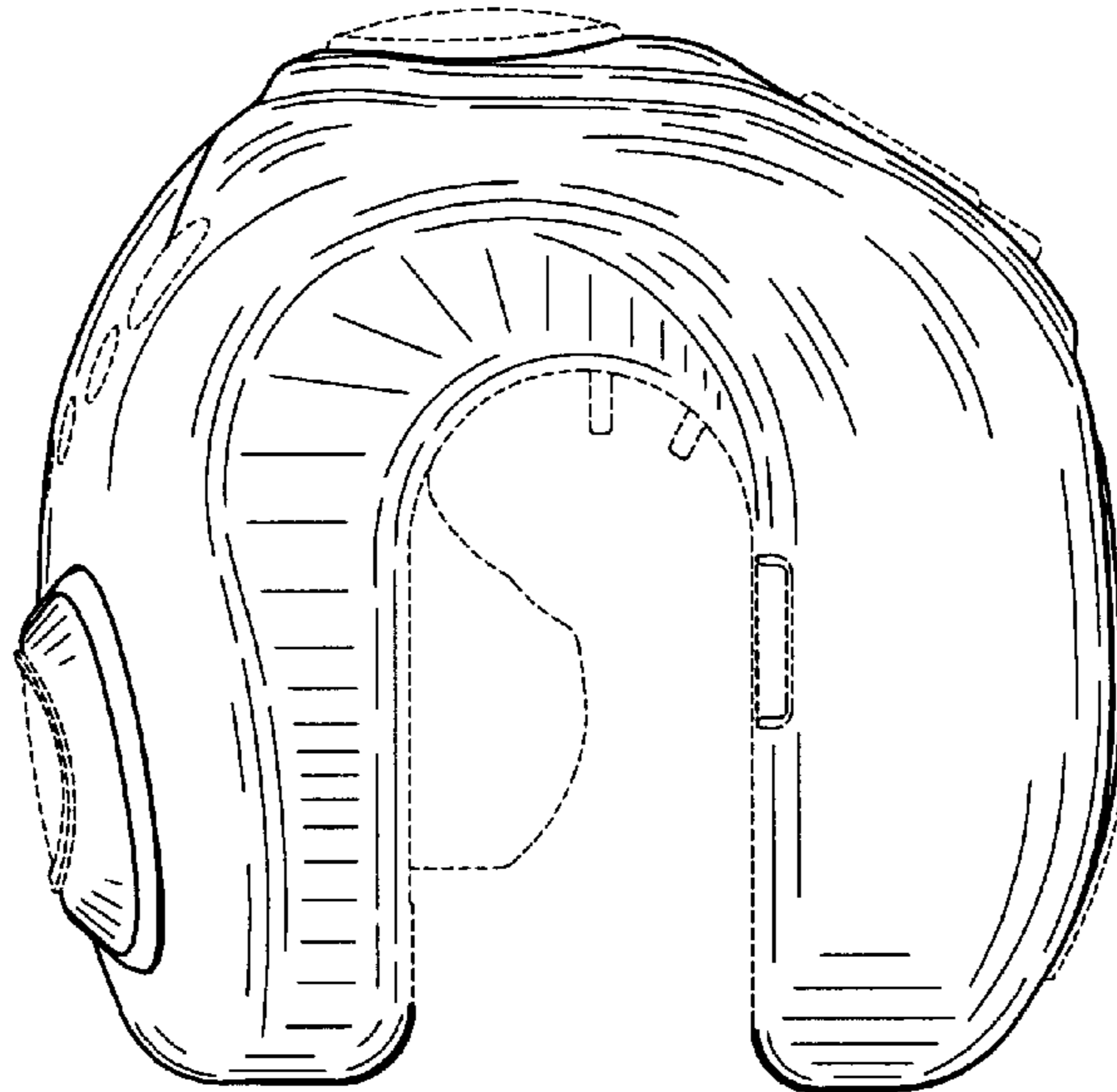


Fig. 6

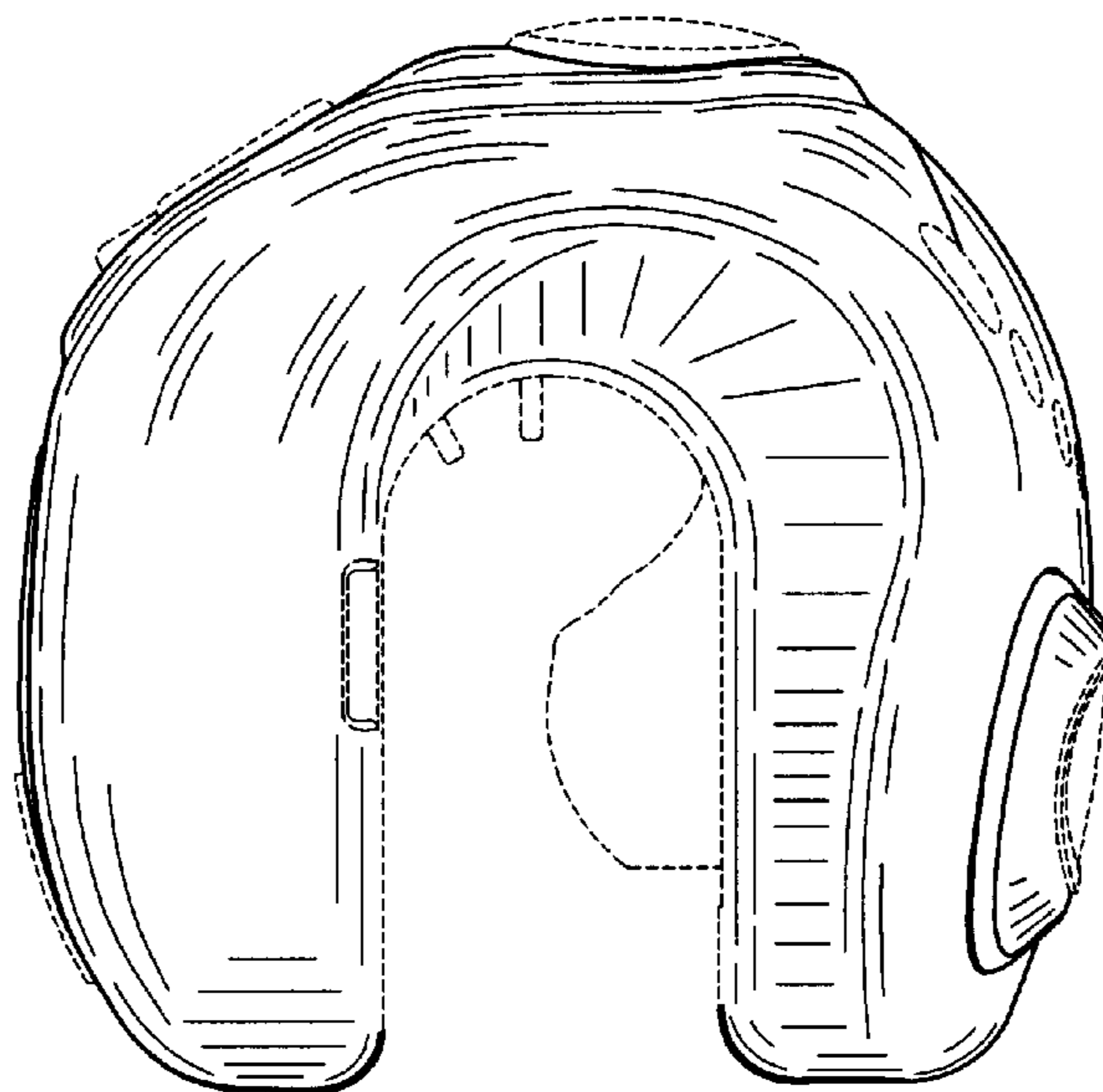


Fig. 7

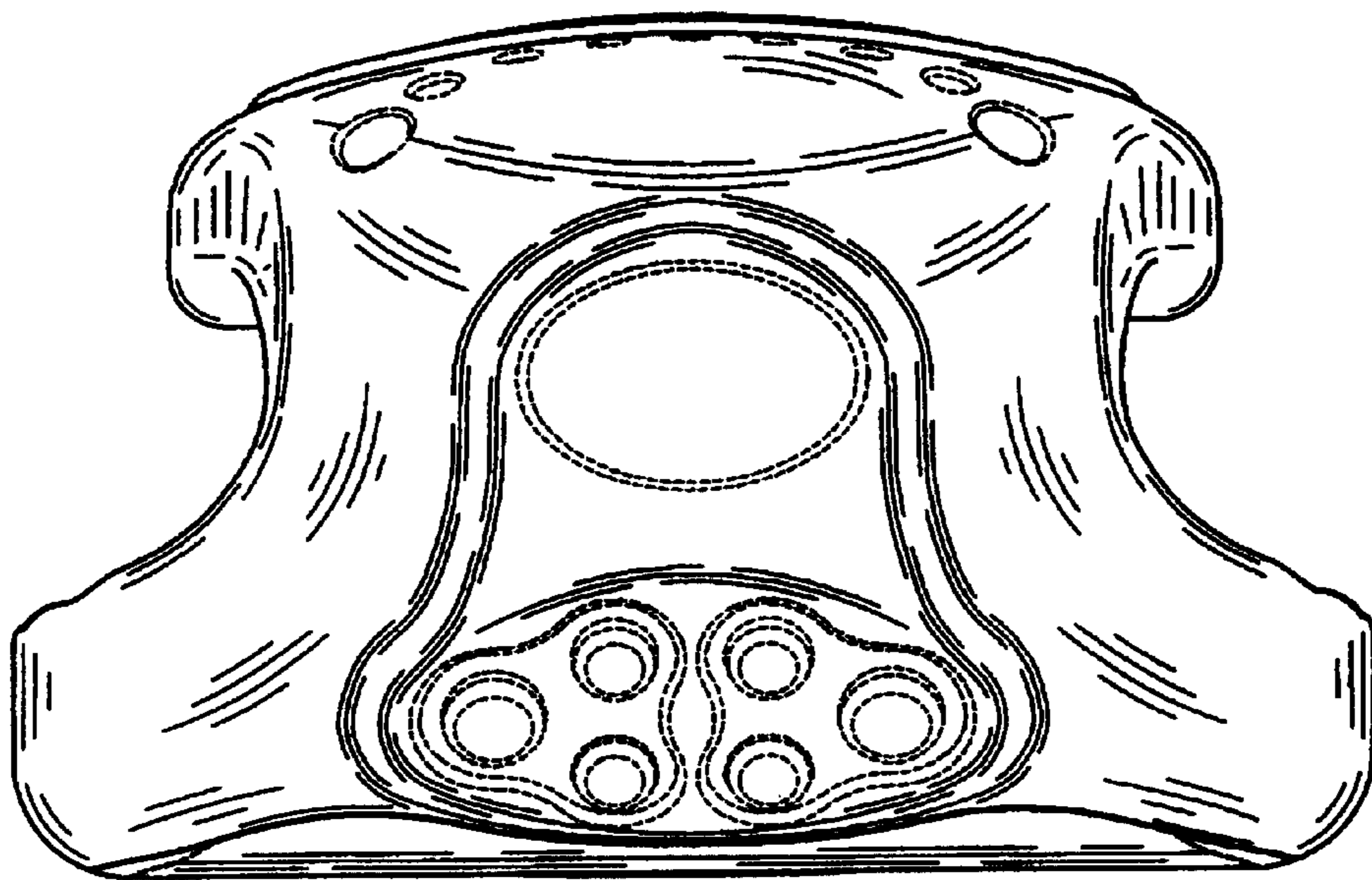


Fig. 8

