

US00D525317S

(12) **United States Design Patent**
Grubisic et al.

(10) **Patent No.:** **US D525,317 S**

(45) **Date of Patent:** **** Jul. 18, 2006**

(54) **ROLLABLE TOY**

(76) Inventors: **Kurt L. Grubisic**, 8421 W.
Willowbrook Dr., Peoria, AZ (US)
85382; **Robert Jeffrey Scaman**, 9482
S. Garden Ct., Highlands Ranch, CO
(US) 80126

(**) **Term:** **14 Years**

(21) **Appl. No.:** **29/229,238**

(22) **Filed:** **May 3, 2005**

(51) **LOC (8) Cl.** **21-01**

(52) **U.S. Cl.** **D21/398; D21/464; D21/707**

(58) **Field of Classification Search** D21/386,
D21/387, 390, 398, 399, 404, 455-464, 563,
D21/436, 707, 710; D3/24; D8/356-358,
D8/360.1; 473/569-570, 574-576, 588; 446/129-139,
446/168-174, 431, 444, 445-447, 450-453;
273/108-110, 120 R, 120 A, 118 A, 126 R,
273/355, 357, 359, 443, 448, 456; 242/118,
242/118.4, 118.7

See application file for complete search history.

(56) **References Cited**

U.S. PATENT DOCUMENTS

1,311,534 A *	7/1919	Seymour	446/250
2,091,347 A *	8/1937	Yates	446/237
3,037,321 A *	6/1962	Thomason	446/452
3,201,127 A *	8/1965	Hupp	273/109
3,206,209 A *	9/1965	Farrah	273/355

4,091,564 A *	5/1978	Jasinski	446/450
D254,923 S *	5/1980	Pitton	D21/386
4,257,602 A *	3/1981	Seath	273/126 R
D290,857 S *	7/1987	Lohr	D21/464
5,330,381 A *	7/1994	Hutcheson	446/450
2003/0032364 A1 *	2/2003	Holenstein et al.	446/247

FOREIGN PATENT DOCUMENTS

GB	2021895	*	3/1992
GB	2021896	*	3/1992

* cited by examiner

Primary Examiner—Catherine Tuttle

(74) *Attorney, Agent, or Firm*—Marsh Fischman & Brey Fogle LLP

(57) **CLAIM**

The ornamental design for a rollable toy, as shown and described.

DESCRIPTION

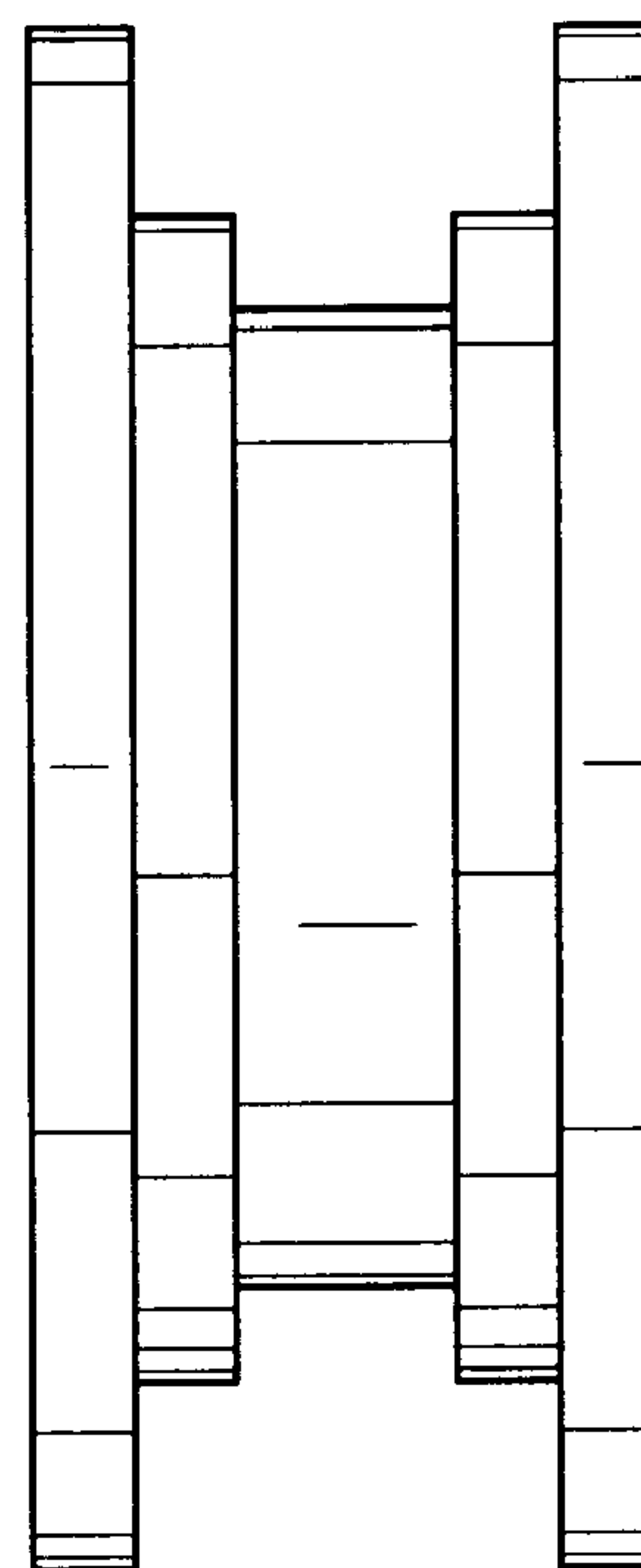
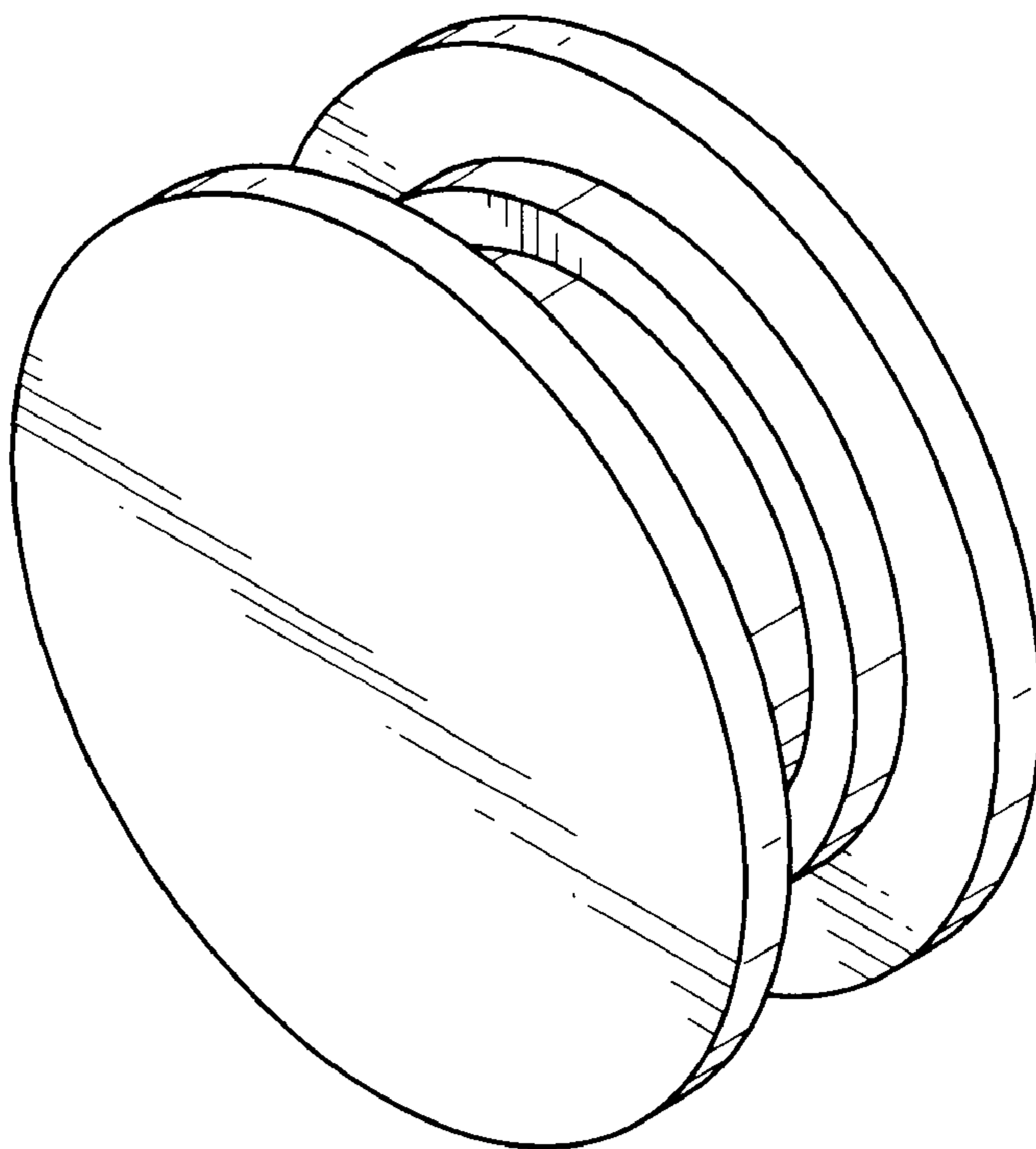
This application claims priority under 35 U.S.C. §120 to U.S. Application No. 29/194,189 entitled: "Rollable Toy" and which was filed Nov. 20, 2003.

FIG. 1 is a perspective view of the rollable toy embodying our new design;

FIG. 2 is an edge view thereof, all edge views being the same; and,

FIG. 3 is a side view thereof, the opposite side view being the same.

1 Claim, 2 Drawing Sheets



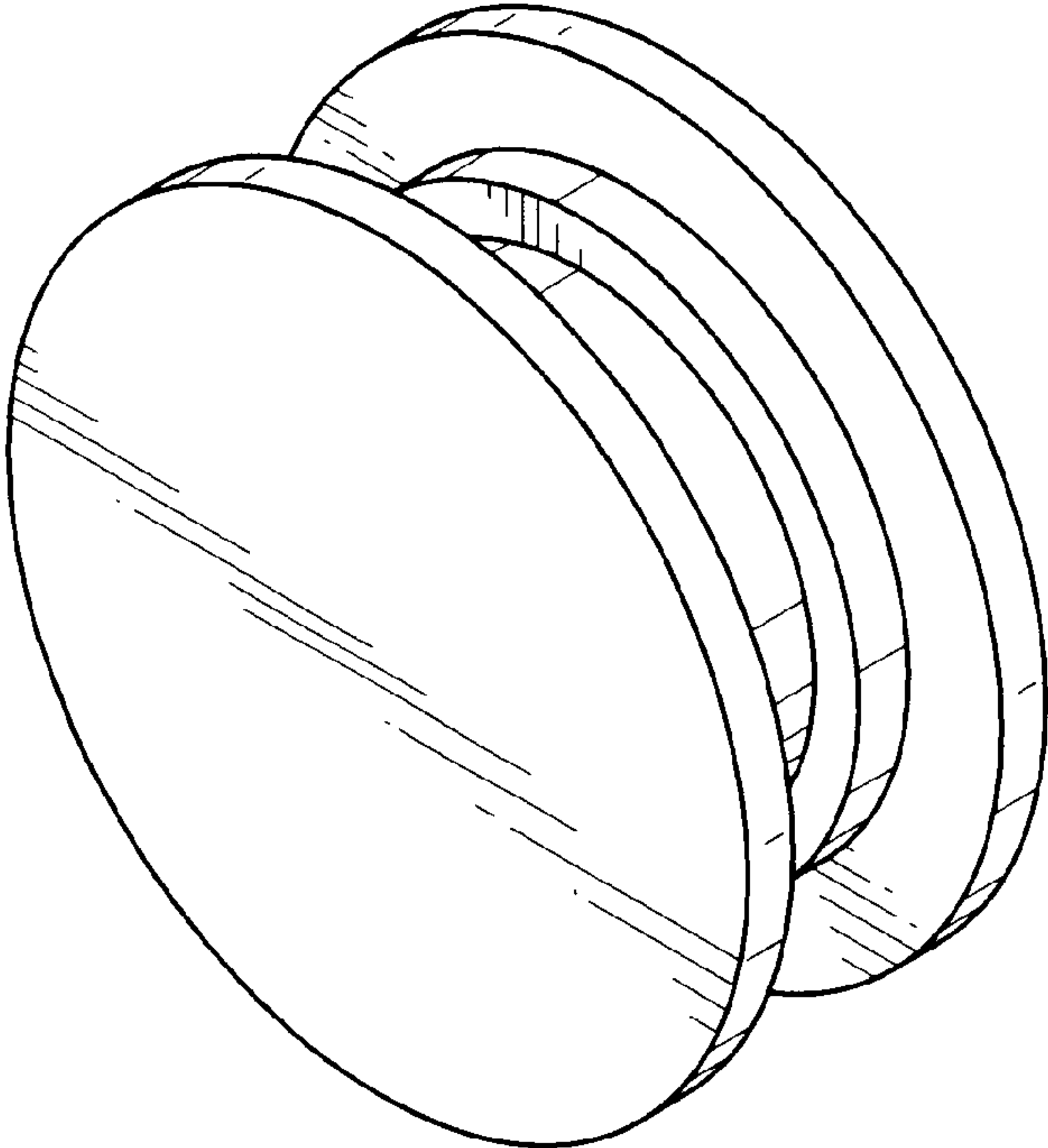


FIG. 1

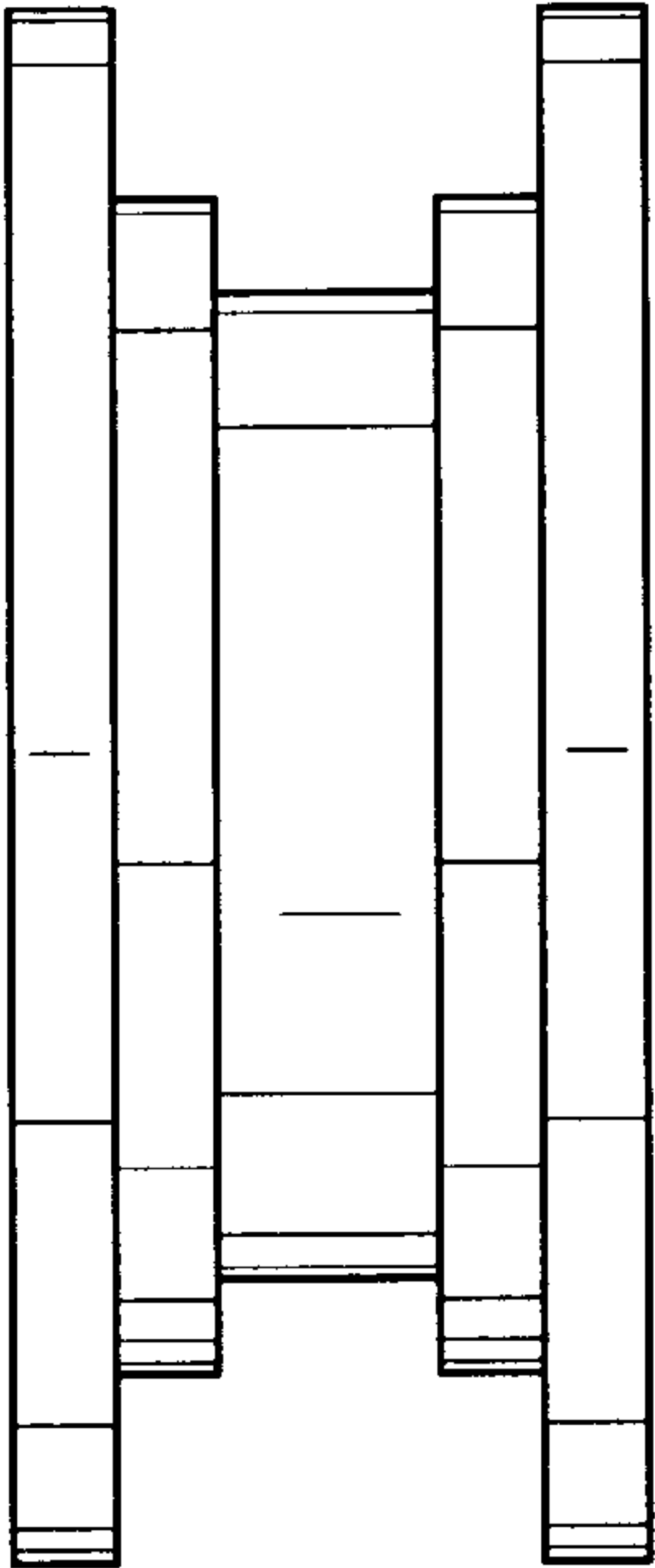


FIG. 2

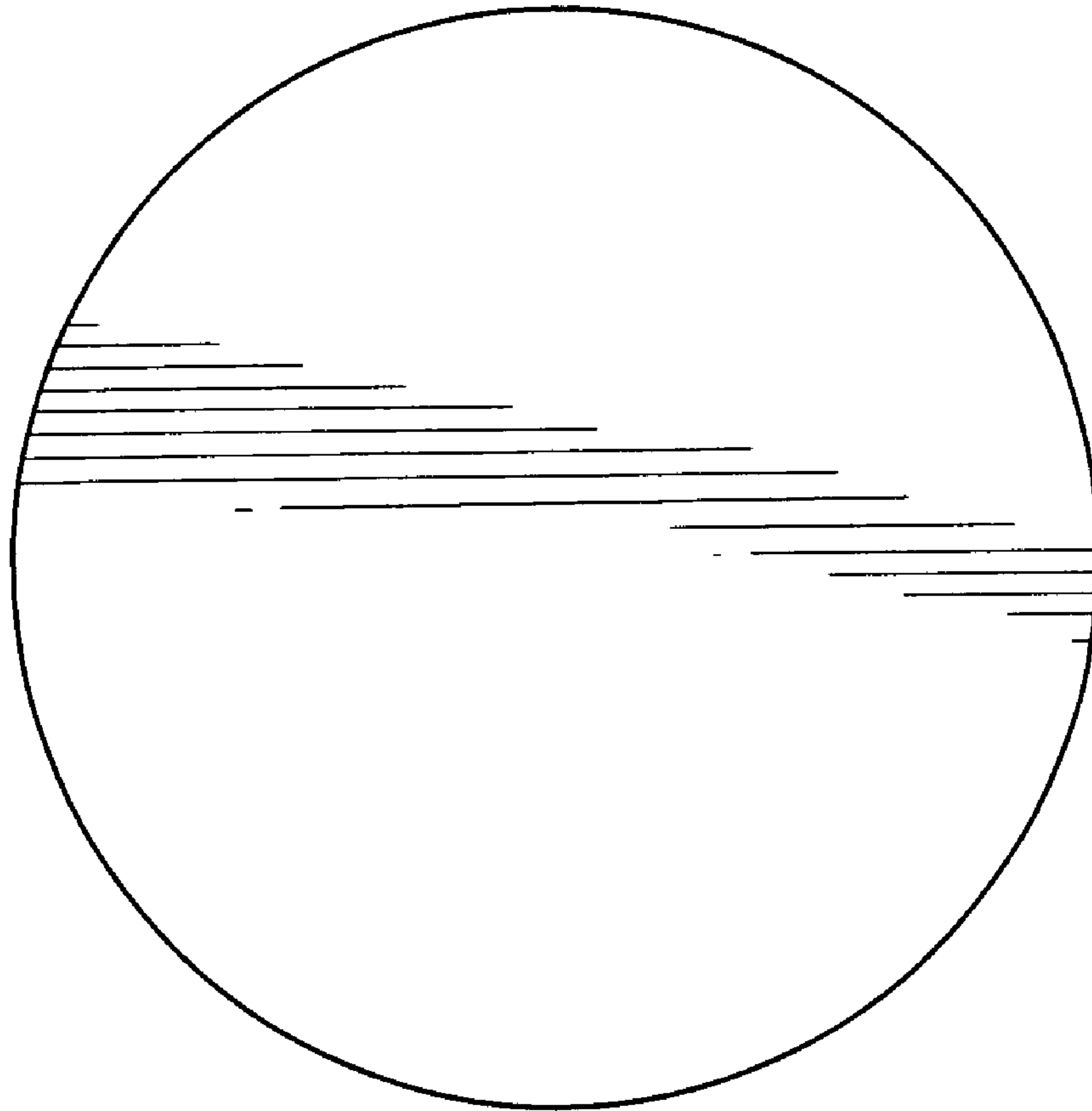


FIG.3

UNITED STATES PATENT AND TRADEMARK OFFICE
CERTIFICATE OF CORRECTION

PATENT NO. : Des. 525,317 S
APPLICATION NO. : 29/229238
DATED : July 18, 2006
INVENTOR(S) : Grubisic et al.

Page 1 of 1

It is certified that error appears in the above-identified patent and that said Letters Patent is hereby corrected as shown below:

Title Page

Description, lines 1-3, delete "This application claims priority under 35 U.S.C. §120 to U.S. Application No. 29/194,189 entitled: "Rollable Toy" and which was filed on November 20, 2003."

Signed and Sealed this

Tenth Day of October, 2006

A handwritten signature in black ink on a dotted background. The signature reads "Jon W. Dudas" in a cursive style.

JON W. DUDAS

Director of the United States Patent and Trademark Office