

US00D525310S

(12) **United States Design Patent**  
**Brown**

(10) **Patent No.:** **US D525,310 S**

(45) **Date of Patent:** **\*\* Jul. 18, 2006**

(54) **PILE KEEPER AND DESK ORGANIZER**

(76) Inventor: **James Benjamin Brown**, 3401 E.  
Banta Rd., Indianapolis, IN (US) 46227

(\*\*) Term: **14 Years**

(21) Appl. No.: **29/233,556**

(22) Filed: **Jul. 6, 2005**

(51) **LOC (8) Cl.** ..... **19-02**

(52) **U.S. Cl.** ..... **D19/98**

(58) **Field of Classification Search** ..... D19/52,  
D19/75, 78, 86, 87, 92, 95, 98; D20/19; 40/358;  
206/215, 555; 211/10, 50; 248/346.01, 504;  
281/4, 44, 45

See application file for complete search history.

(56) **References Cited**

**U.S. PATENT DOCUMENTS**

708,525	A	*	9/1902	Buskirk	.....	281/31
844,948	A	*	2/1907	Lynch	.....	281/31
891,819	A	*	6/1908	Crane	.....	40/358
1,037,607	A	*	9/1912	Floto	.....	40/1
1,331,995	A	*	2/1920	McMullen	.....	40/358
1,465,244	A	*	8/1923	Hager	.....	40/374
1,528,400	A	*	3/1925	Busch	.....	283/117
2,061,844	A	*	11/1936	Miller	.....	427/264
D121,475	S	*	7/1940	Komorous	.....	D19/98
3,016,045	A	*	1/1962	Robinson	.....	40/358
3,116,941	A	*	1/1964	Malone	.....	462/56
3,249,112	A	*	5/1966	Gillette	.....	211/184
3,594,935	A	*	7/1971	Blattstein	.....	40/107
D225,588	S	*	12/1972	Testro	.....	D3/299
4,362,248	A	*	12/1982	Vilanova	.....	211/50
D270,273	S	*	8/1983	Kosmicki	.....	D19/52
D295,423	S	*	4/1988	Battaglia	.....	D19/52
D301,898	S	*	6/1989	Galvez	.....	D19/75

5,022,170	A	*	6/1991	House	.....	40/358
D335,148	S	*	4/1993	Barbieri	.....	D19/95
D391,991	S	*	3/1998	Conner	.....	D20/10
6,364,126	B1	*	4/2002	Enriquez	.....	211/13.1
D471,236	S	*	3/2003	Robbins, III	.....	D19/95
D497,953	S	*	11/2004	Adams	.....	D19/75

\* cited by examiner

*Primary Examiner*—Caron D. Veynar

*Assistant Examiner*—Elizabeth Albert

(74) *Attorney, Agent, or Firm*—Woodard, Emhardt,  
Moriarty, McNett & Henry LLP

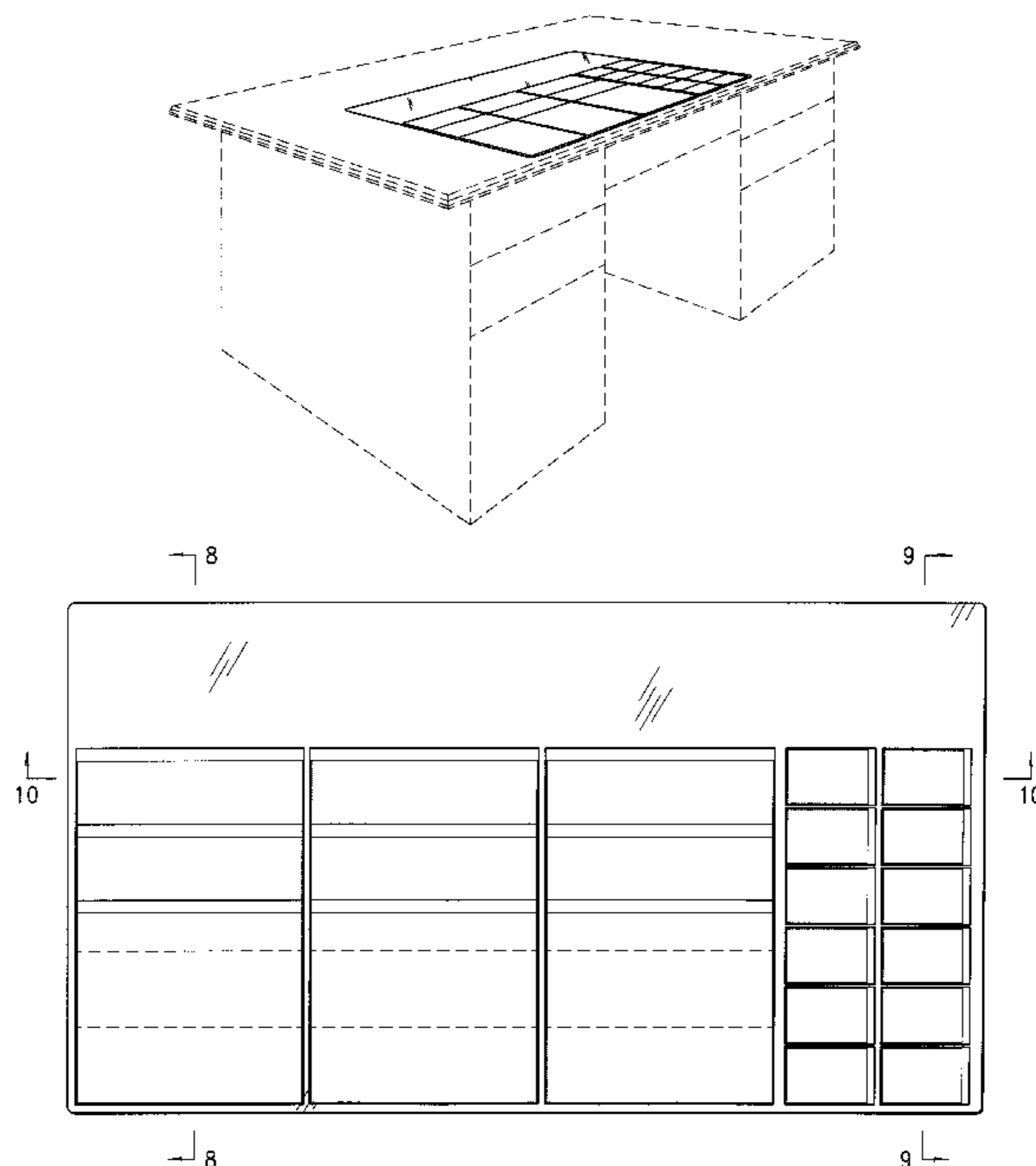
(57) **CLAIM**

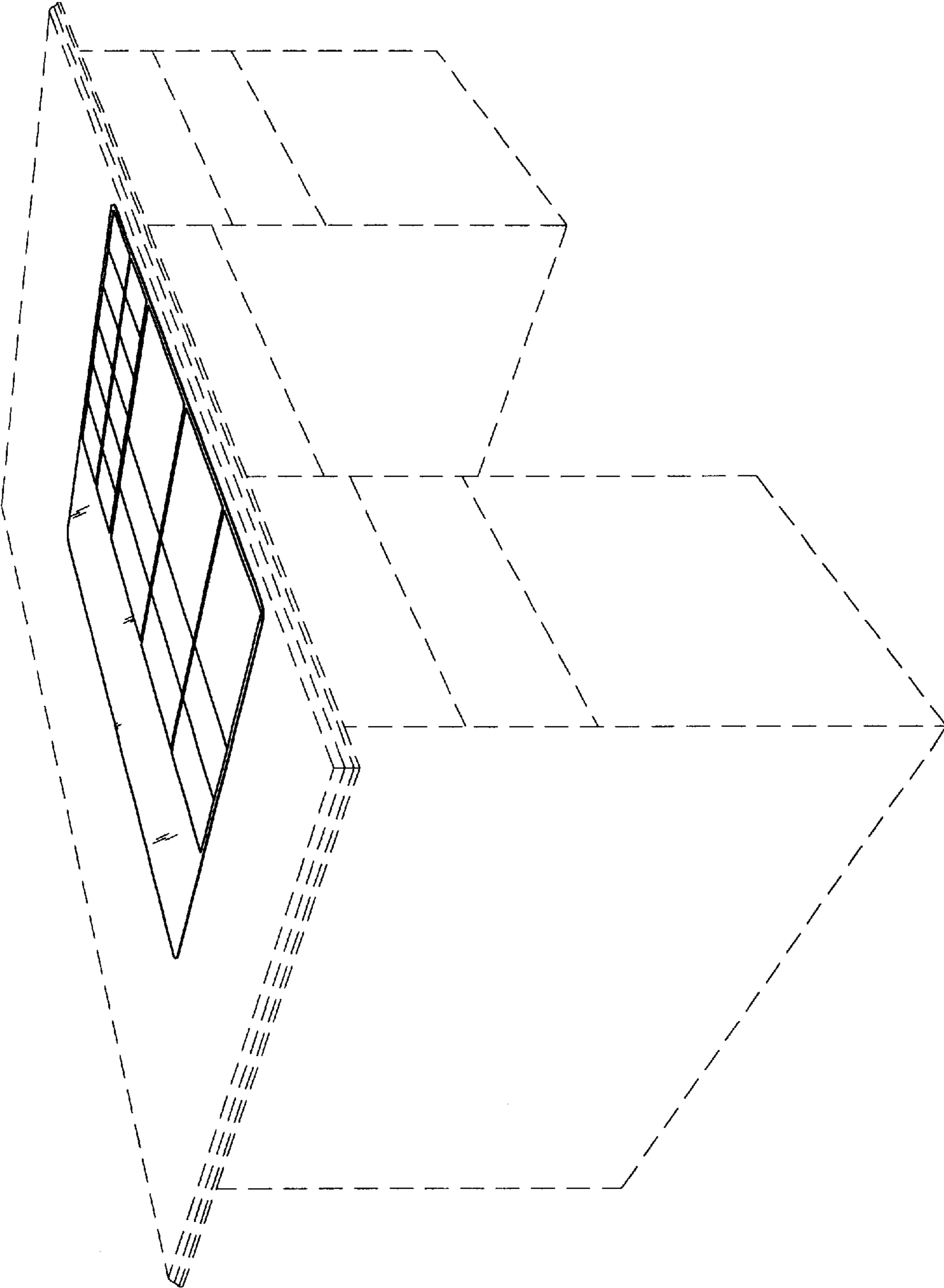
The ornamental design for a pile keeper and desk organizer,  
as shown and described.

**DESCRIPTION**

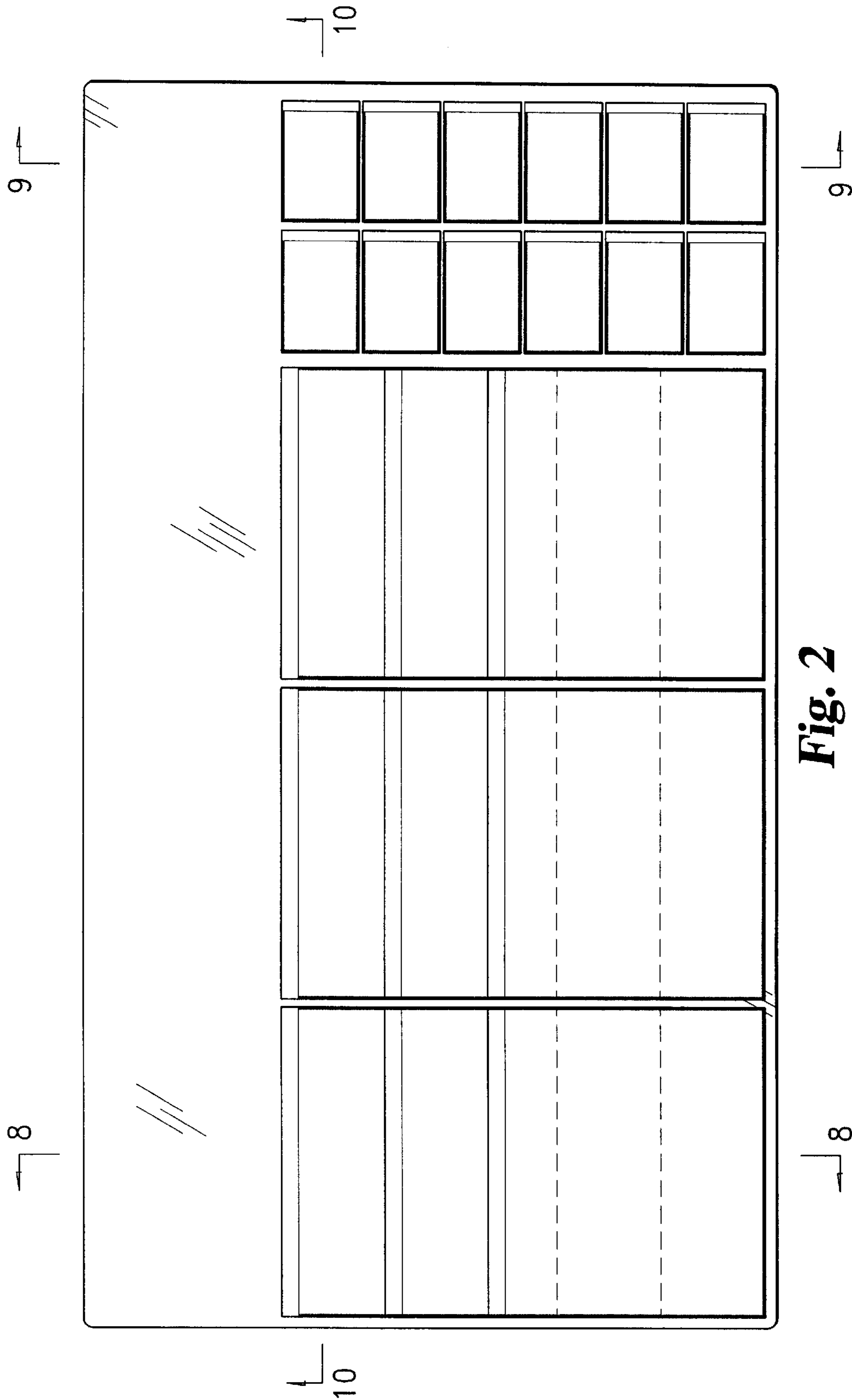
FIG. 1 is a perspective view of the pile keeper and desk organizer showing my new design;  
 FIG. 2 is a top plan view thereof;  
 FIG. 3 is a bottom plan view thereof;  
 FIG. 4 is a front elevation view thereof;  
 FIG. 5 is a rear elevation view thereof;  
 FIG. 6 is an enlarged left side view thereof;  
 FIG. 7 is an enlarged right side view thereof;  
 FIG. 8 is an enlarged sectional view thereof, taken along the line 8—8 in FIG. 2;  
 FIG. 9 is an enlarged sectional view thereof, taken along the line 9—9 in FIG. 2;  
 FIG. 10 is a sectional view thereof, taken long the line 10—10 in FIG. 2; and,  
 FIG. 11 is an enlarged detail view of a portion of FIG. 8.  
 The broken lines shown in FIGS. 1, 2 and 3 are for information purposes only and form no part of the claimed design.

**1 Claim, 7 Drawing Sheets**





**Fig. 1**



**Fig. 2**

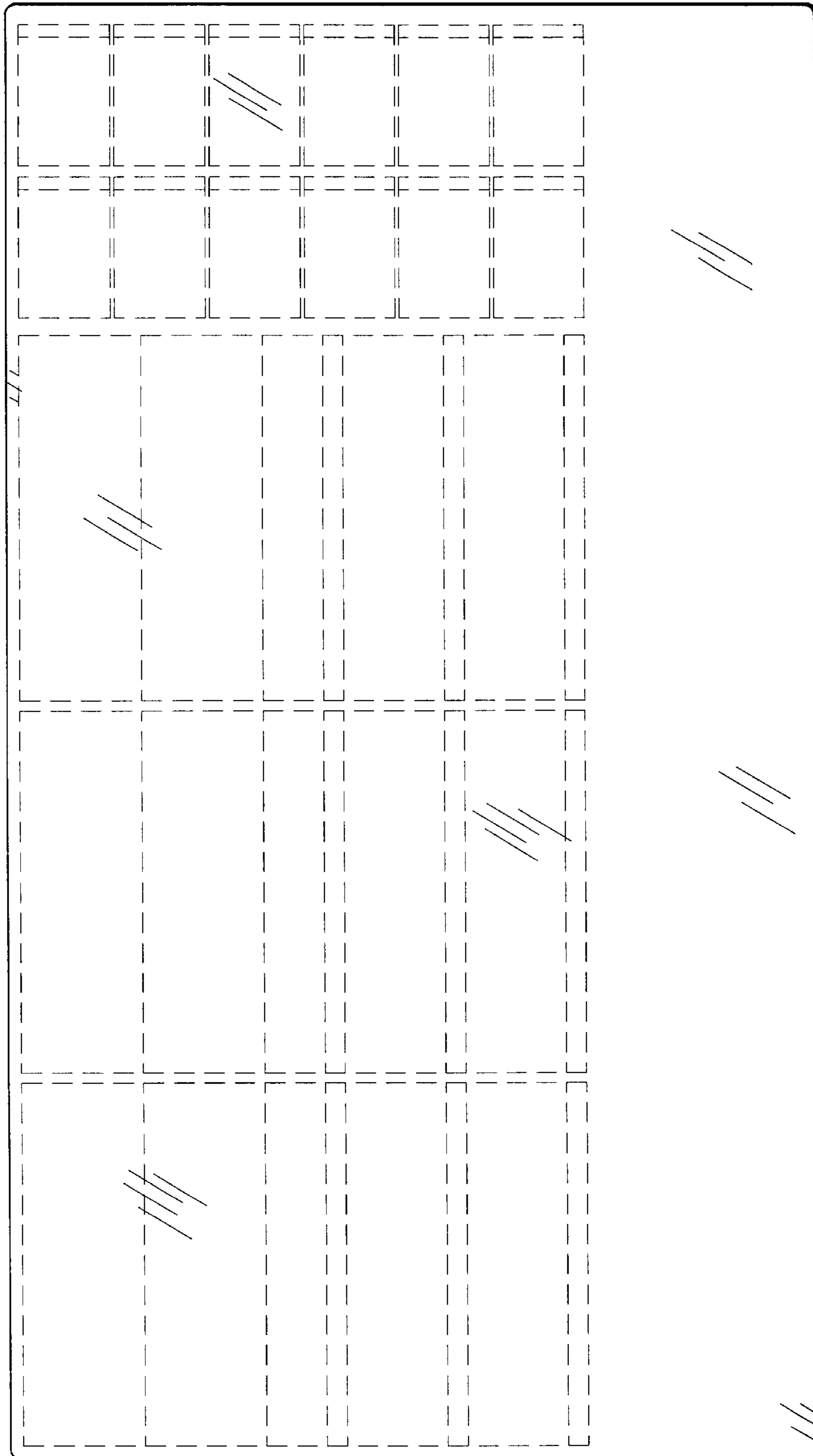


Fig. 3



**Fig. 4**



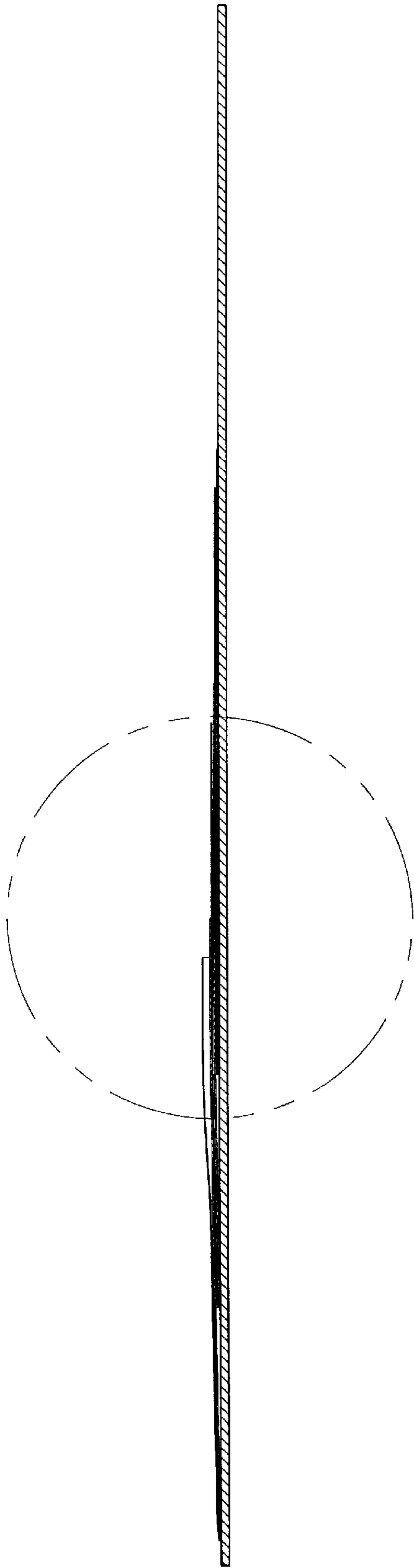
**Fig. 5**



**Fig. 6**



**Fig. 7**



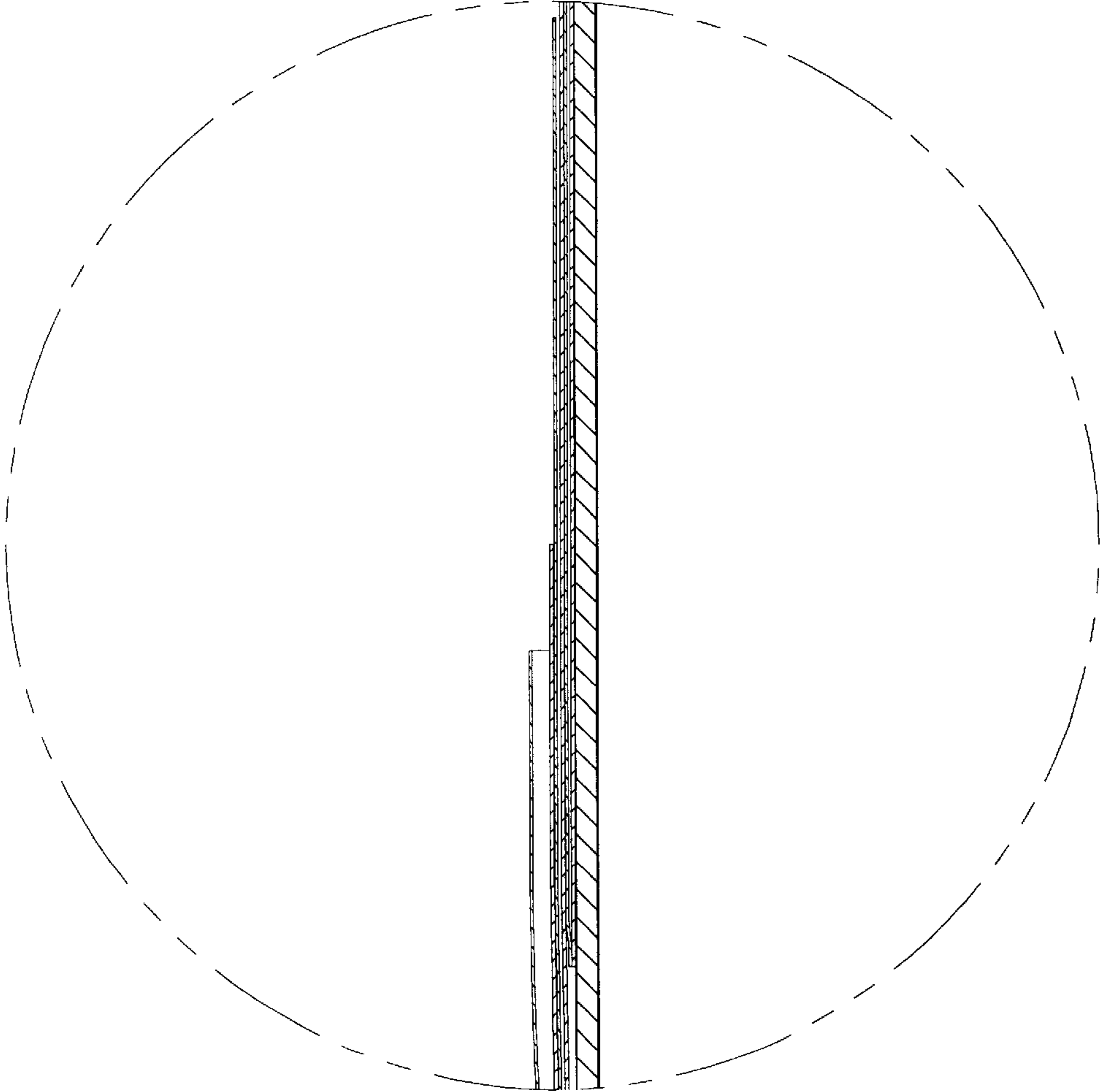
**Fig. 8**



**Fig. 9**



**Fig. 10**



**Fig. 11**