

US00D525309S

(12) **United States Design Patent** (10) **Patent No.:** **US D525,309 S**
Commodore (45) **Date of Patent:** **** Jul. 18, 2006**

(54) **PAPERWEIGHT**

(76) Inventor: **Alfred D. Commodore**, 6825 Permian La., Fort Worth, TX (US) 76137

(**) Term: **14 Years**

(21) Appl. No.: **29/213,612**

(22) Filed: **Sep. 21, 2004**

(51) **LOC (8) Cl.** **19-02**

(52) **U.S. Cl.** **D19/96**

(58) **Field of Classification Search** D11/131, D11/157; D19/65, 96, 97, 98, 99, 100; 40/358, 40/600; 428/13, 66.5, 542.2, 542.4, 913.3; 434/96, 211

See application file for complete search history.

(56) **References Cited**

U.S. PATENT DOCUMENTS

D86,873 S	*	4/1932	Woodcock	D28/64.3
D267,161 S	*	12/1982	Goldman	D11/131
D320,177 S	*	9/1991	Meekins	D11/157
5,436,038 A	*	7/1995	Gelb	428/13
D430,565 S	*	9/2000	Crane et al.	D14/308
D440,524 S	*	4/2001	Robinson	D11/131
D472,930 S	*	4/2003	Bump	D19/62

OTHER PUBLICATIONS

Alfred D. Commodore, An Alternative to the Parallelogram Method, Forum Winter 1994, a non-refereed Casualty Actuarial Society publication.

* cited by examiner

Primary Examiner—Elizabeth A. Albert

(74) *Attorney, Agent, or Firm*—Bracewell & Giuliani LLP

(57) **CLAIM**

The ornamental design for a paperweight, as shown and described.

DESCRIPTION

FIG. 1 is a perspective view of a paperweight showing my new design with a cover shown in broken lines.

FIG. 2 is an elevational front view of the paperweight of FIG. 1;

FIG. 3 is an elevational right side view of the paperweight of FIG. 1;

FIG. 4 is an elevational rear view of the paperweight of FIG. 1;

FIG. 5 is an elevational left side view of the paperweight of FIG. 1;

FIG. 6 is a top plan view of the paperweight of FIG. 1; and, FIG. 7 is a bottom plan view of the paperweight of FIG. 1.

The broken lines showing environment in the drawings are for information purposes only and form no part of the claimed design.

1 Claim, 2 Drawing Sheets

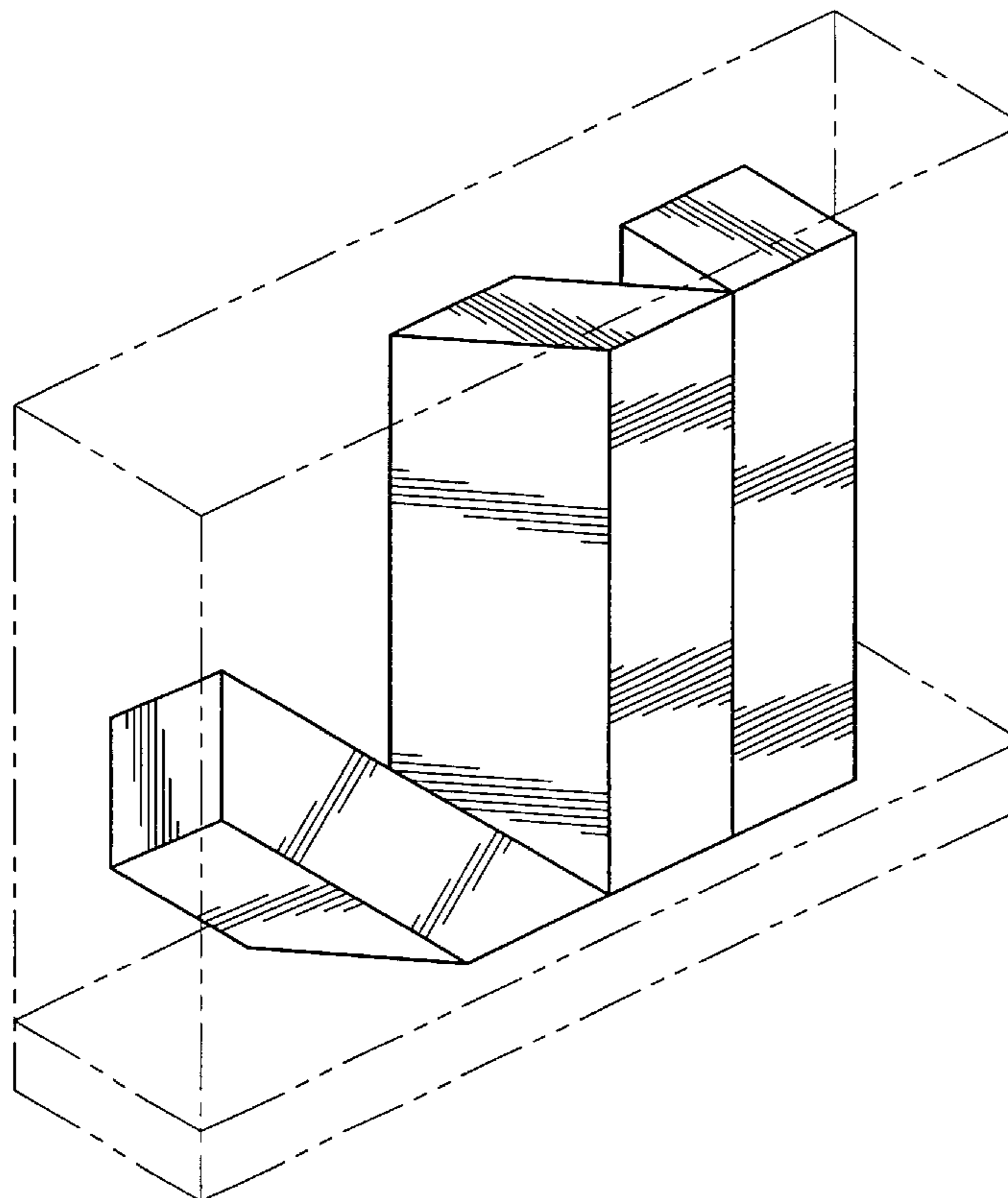


Fig. 1

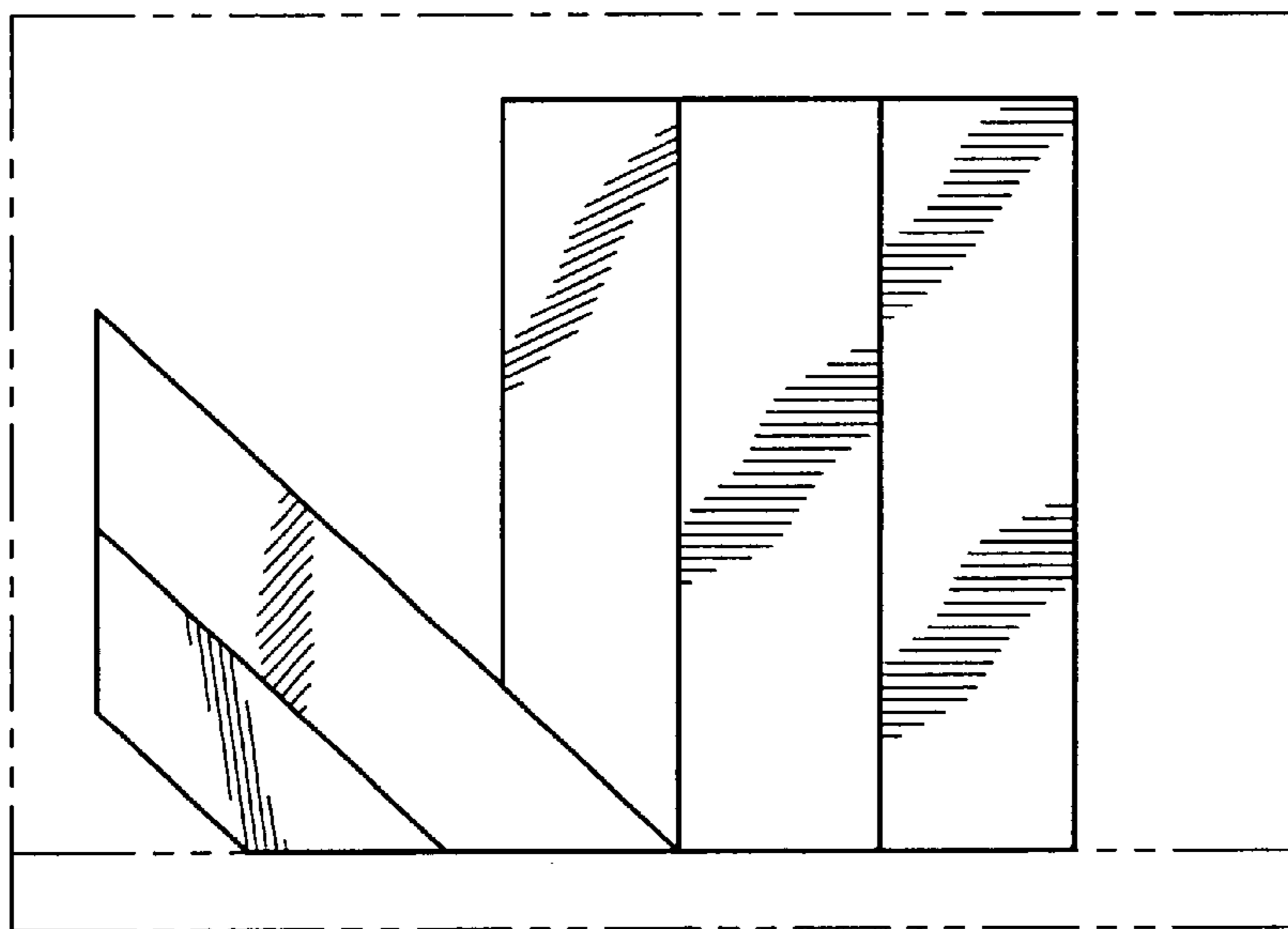
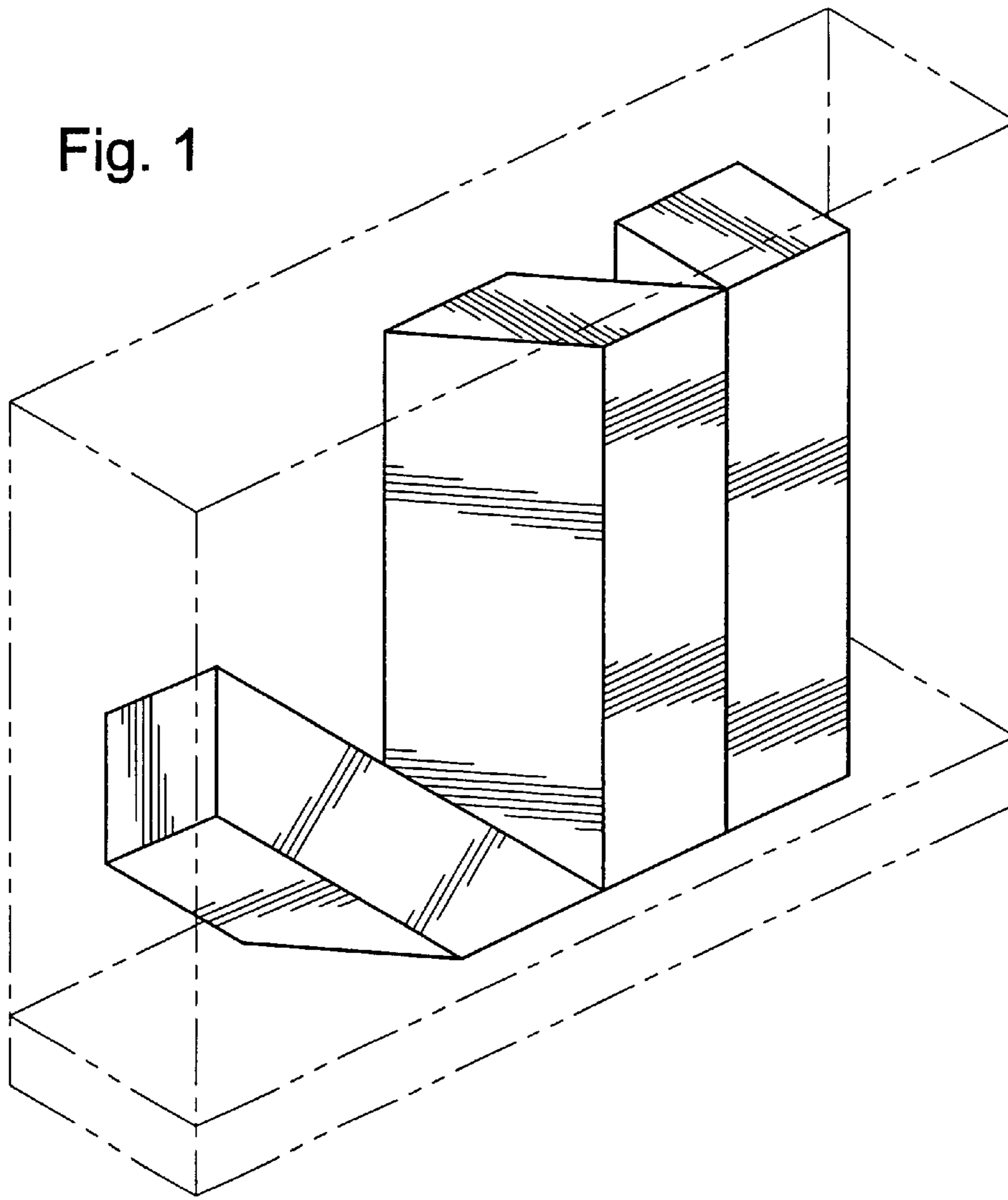


Fig. 2

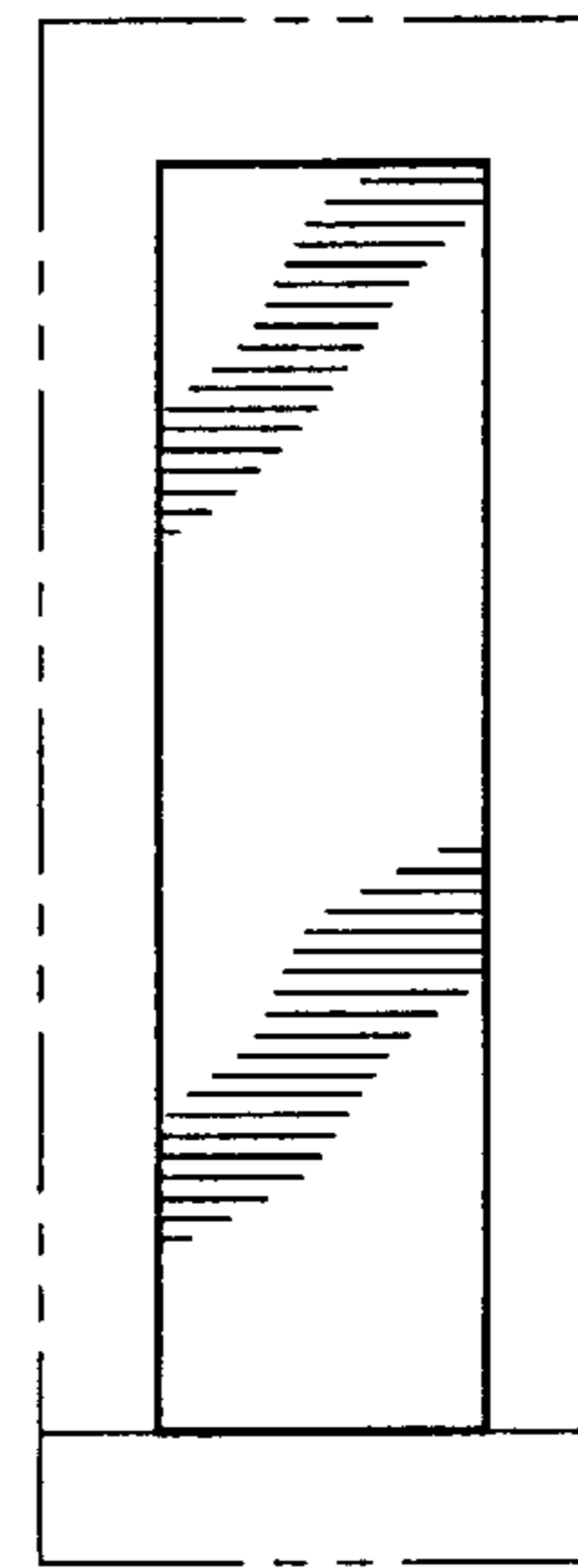


Fig. 3

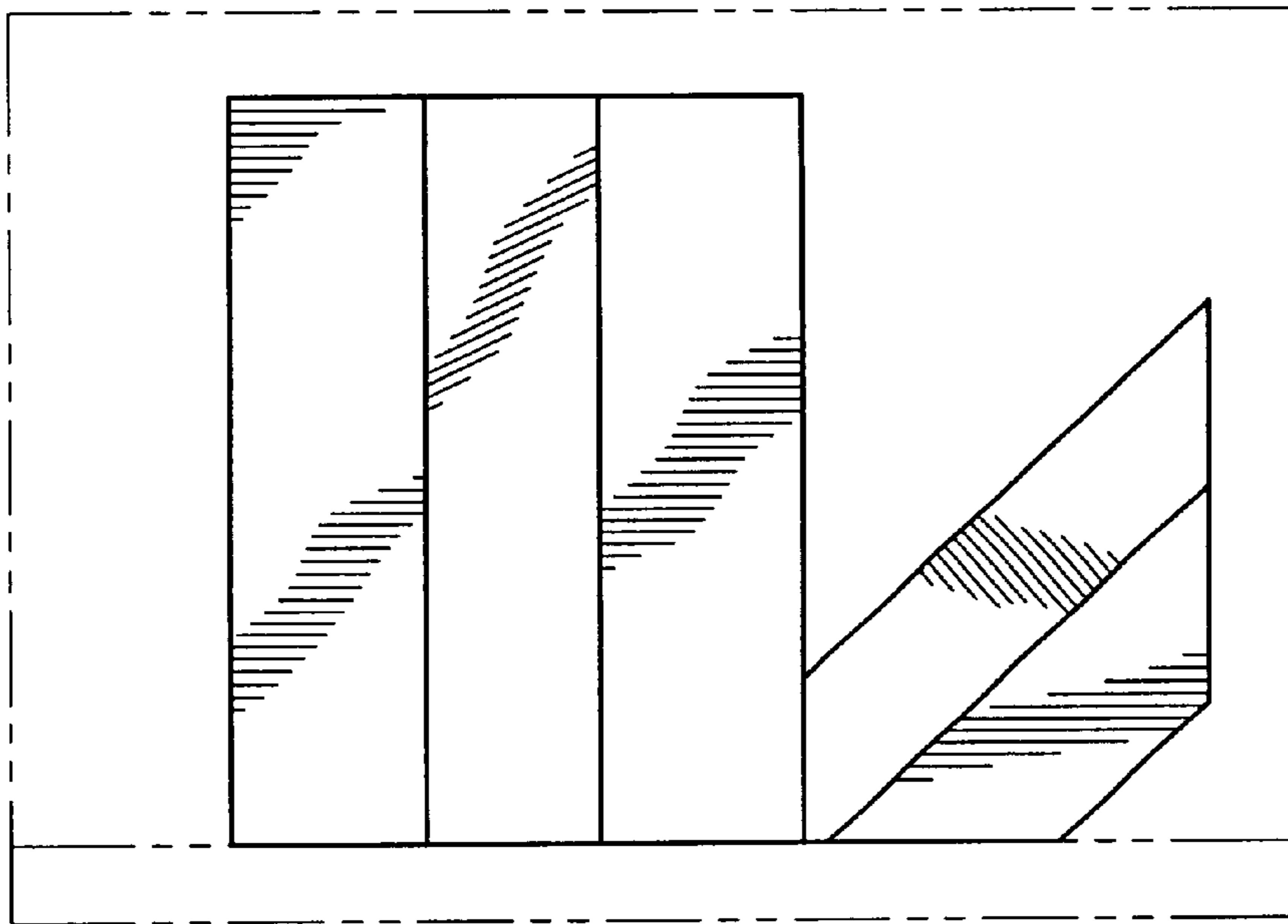


Fig. 4

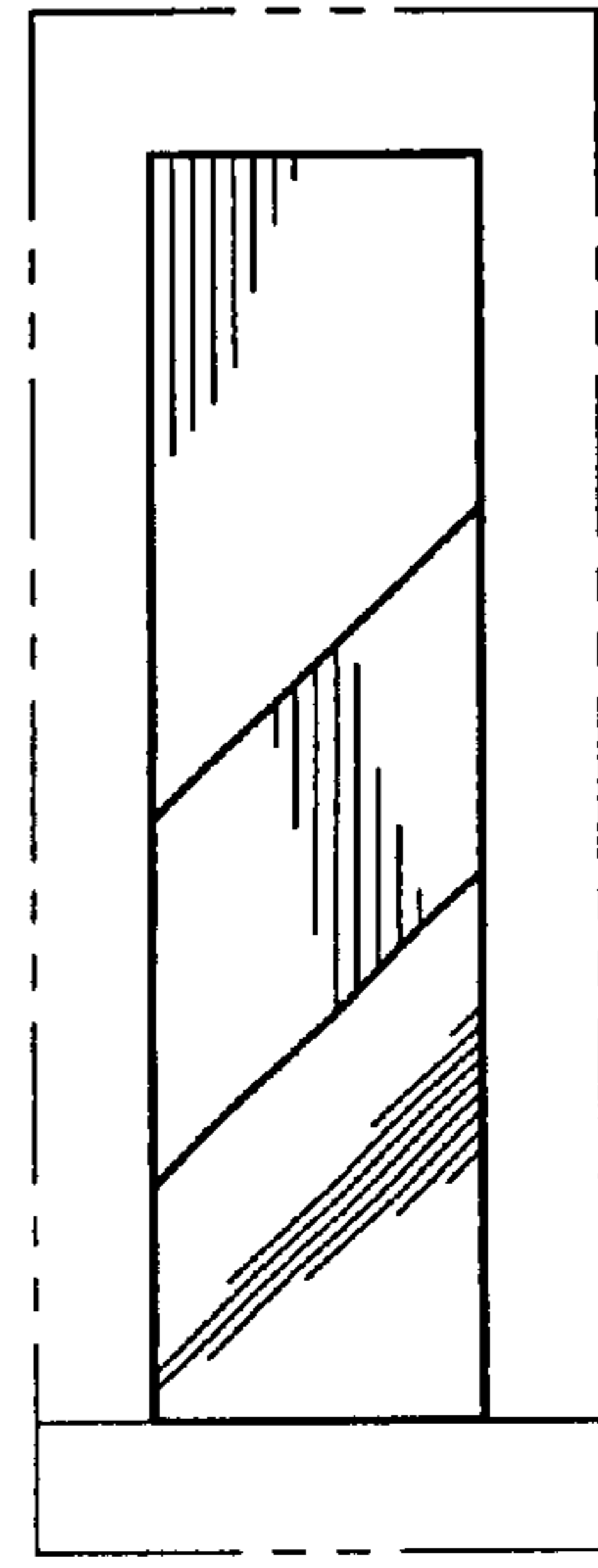


Fig. 5

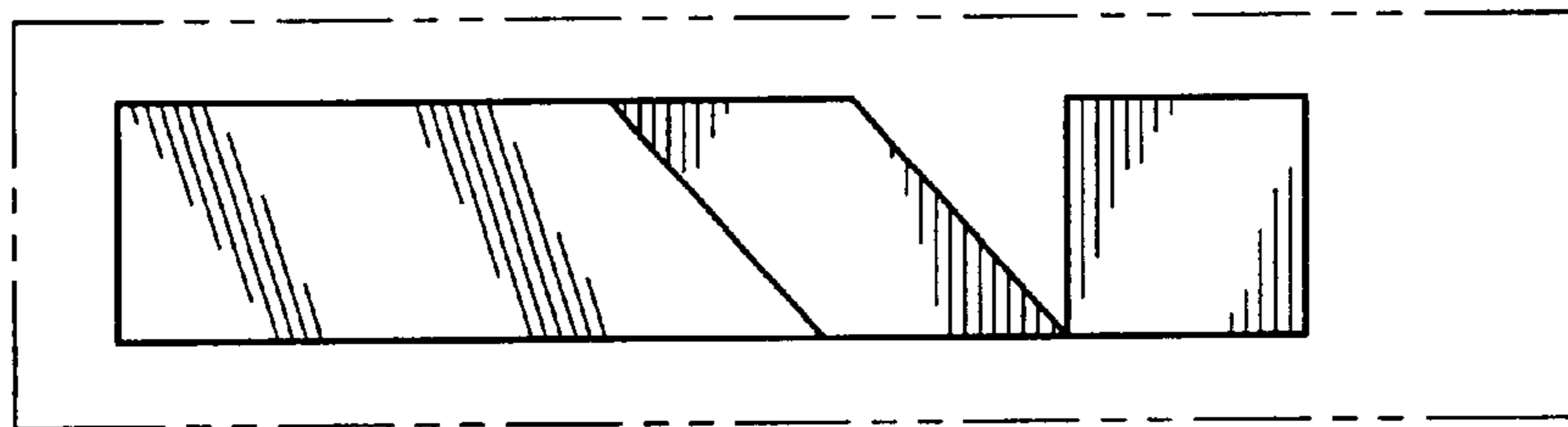


Fig. 6

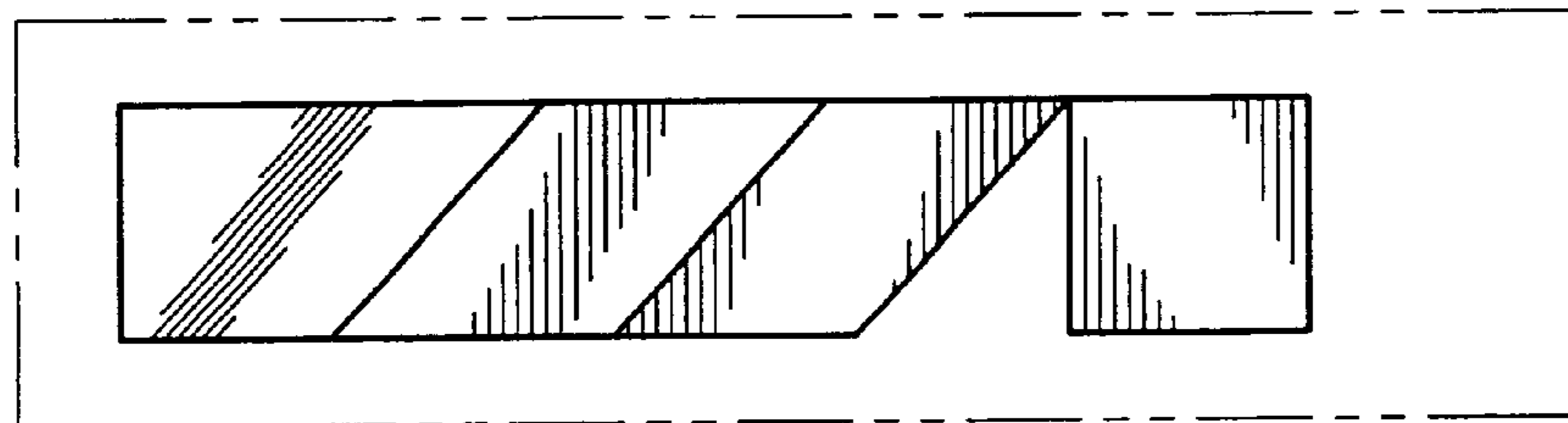


Fig. 7