



US00D525297S

(12) **United States Design Patent**  
**Okuchi et al.**

(10) **Patent No.:** **US D525,297 S**  
(45) **Date of Patent:** **\*\* Jul. 18, 2006**

(54) **TAPE CARTRIDGE FOR TAPE PRINTING MACHINE**

(75) Inventors: **Hiroyuki Okuchi**, Nagoya (JP);  
**Kiyoshi Sugimoto**, Kuwana (JP)

(73) Assignee: **Brother Industries, Ltd.**, Nagoya (JP)

(\*\*) Term: **14 Years**

(21) Appl. No.: **29/240,458**

(22) Filed: **Oct. 14, 2005**

(30) **Foreign Application Priority Data**

Jun. 29, 2005 (JP) ..... 2005-018920

(51) **LOC (8) Cl.** ..... **18-02**

(52) **U.S. Cl.** ..... **D18/56**

(58) **Field of Classification Search** ..... D18/12,  
D18/18, 40, 43, 56; D14/435, 471, 481, 483,  
D14/484; 347/178, 214; 400/207-208, 208.1,  
400/193-196, 196.1, 234-235, 235.1, 240.4,  
400/242, 613; 399/110

See application file for complete search history.

(56) **References Cited**

**U.S. PATENT DOCUMENTS**

4,203,677 A \* 5/1980 Hatsell ..... 400/208  
4,823,953 A \* 4/1989 Anderson et al. .... 206/408  
D347,241 S \* 5/1994 Watanabe et al. .... D18/56  
D378,759 S \* 4/1997 Hattori et al. .... D18/56

D389,179 S \* 1/1998 Uchiyama et al. .... D18/56  
D403,353 S \* 12/1998 Uchiyama et al. .... D18/56  
5,980,140 A \* 11/1999 Gutsell et al. .... 400/613  
D423,566 S \* 4/2000 Hosono ..... D18/56  
D466,150 S \* 11/2002 Matsumoto et al. .... D18/56  
D475,717 S \* 6/2003 Nonomura ..... D14/484  
D481,414 S \* 10/2003 Milton et al. .... D18/18  
D483,772 S \* 12/2003 Nonomura ..... D14/484

\* cited by examiner

*Primary Examiner*—Cathy Anne MacCormac

(74) *Attorney, Agent, or Firm*—Oliff & Berridge, PLC

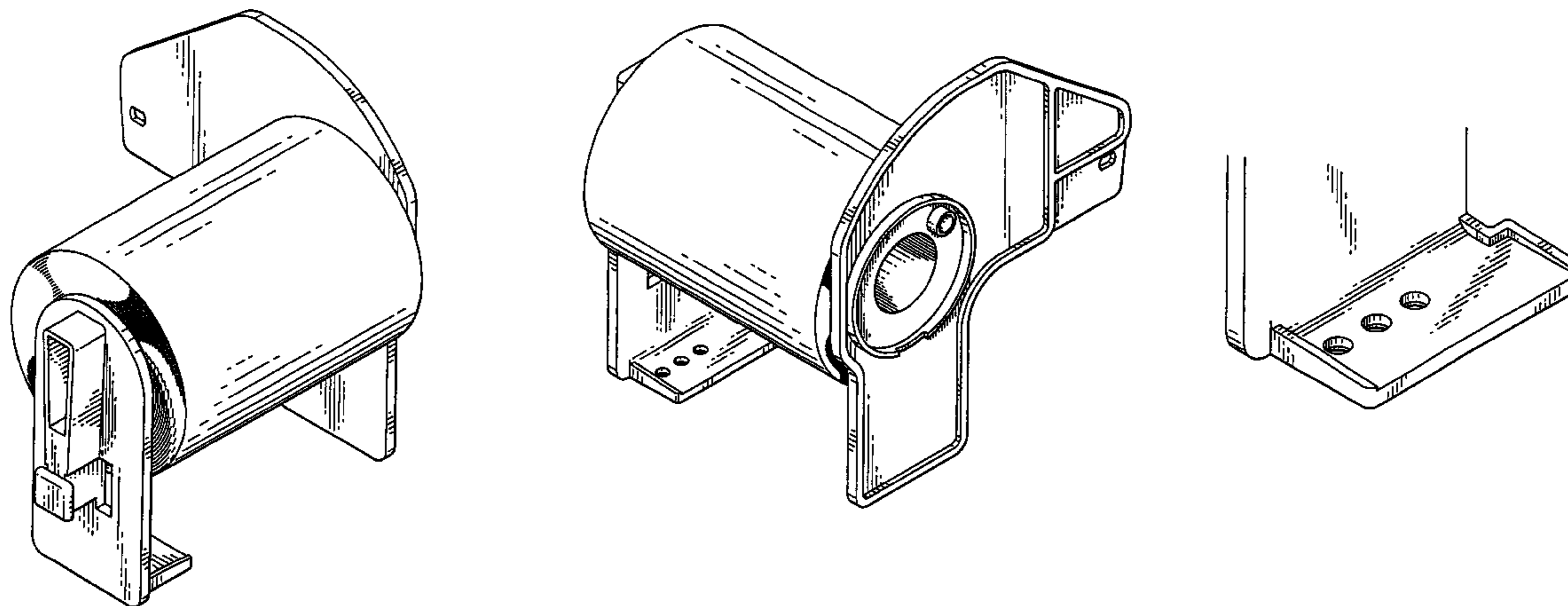
(57) **CLAIM**

The ornamental design for tape cartridge for tape printing machine, as shown and described.

**DESCRIPTION**

FIG. 1 is a front perspective view of a tape cartridge for tape printing machine;  
FIG. 2 is a rear perspective view thereof;  
FIG. 3 is a front view thereof;  
FIG. 4 is a rear view thereof;  
FIG. 5 is a top view thereof;  
FIG. 6 is a bottom view thereof;  
FIG. 7 is a right-side view thereof;  
FIG. 8 is a left-side view thereof; and,  
FIG. 9 is an enlarged partial perspective view of a portion of FIG. 2.

**1 Claim, 8 Drawing Sheets**



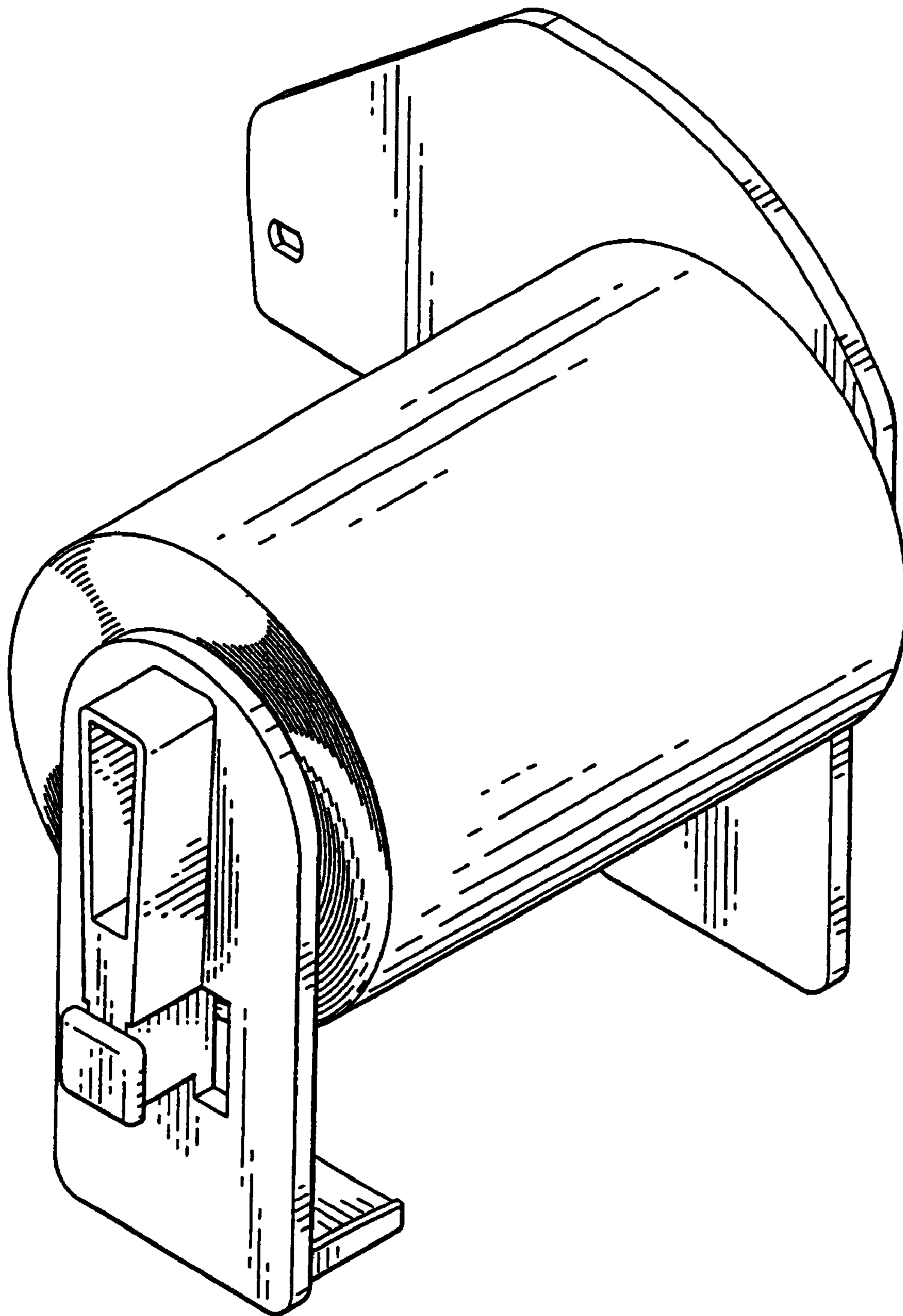


FIG. 1

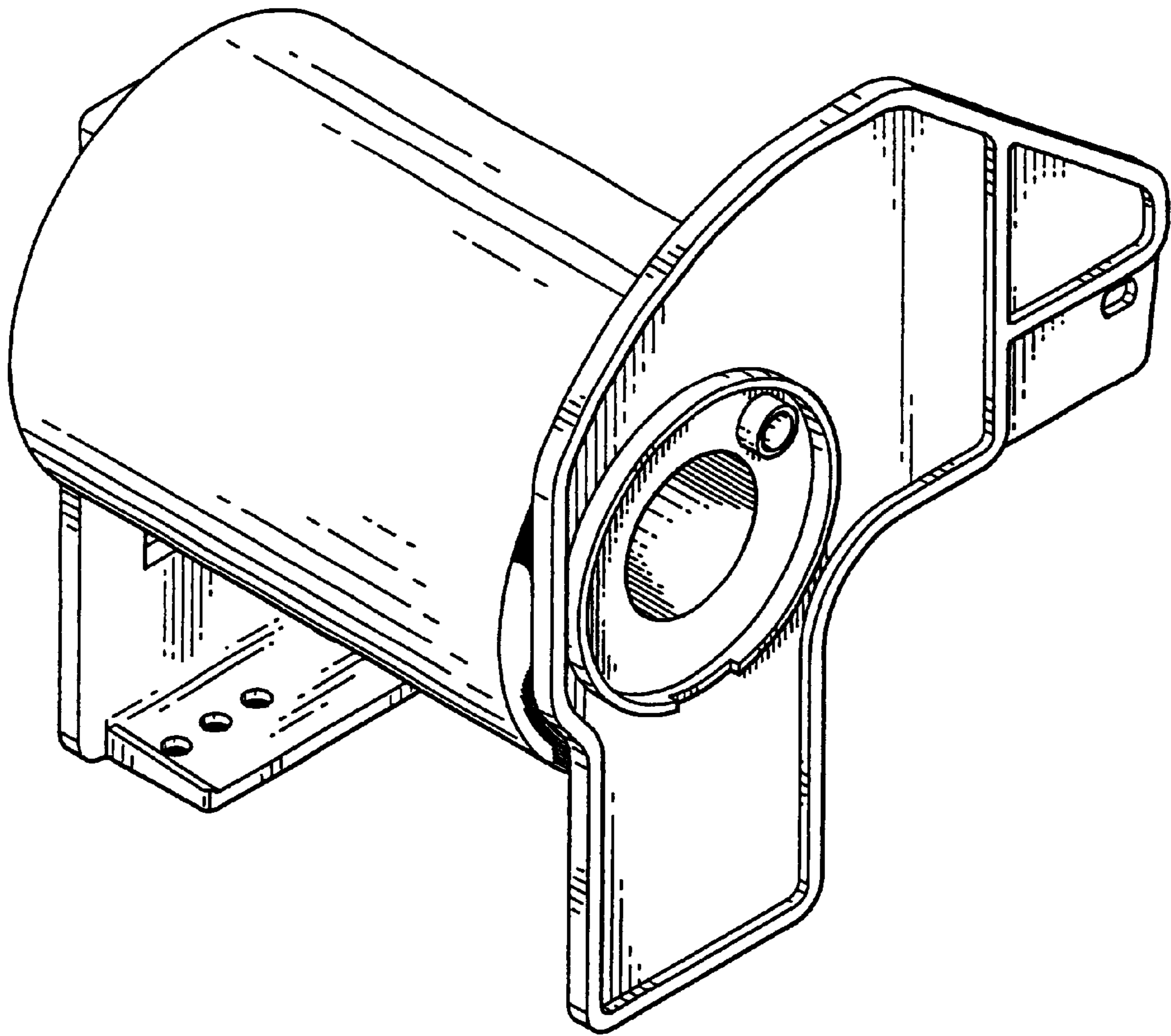


FIG. 2

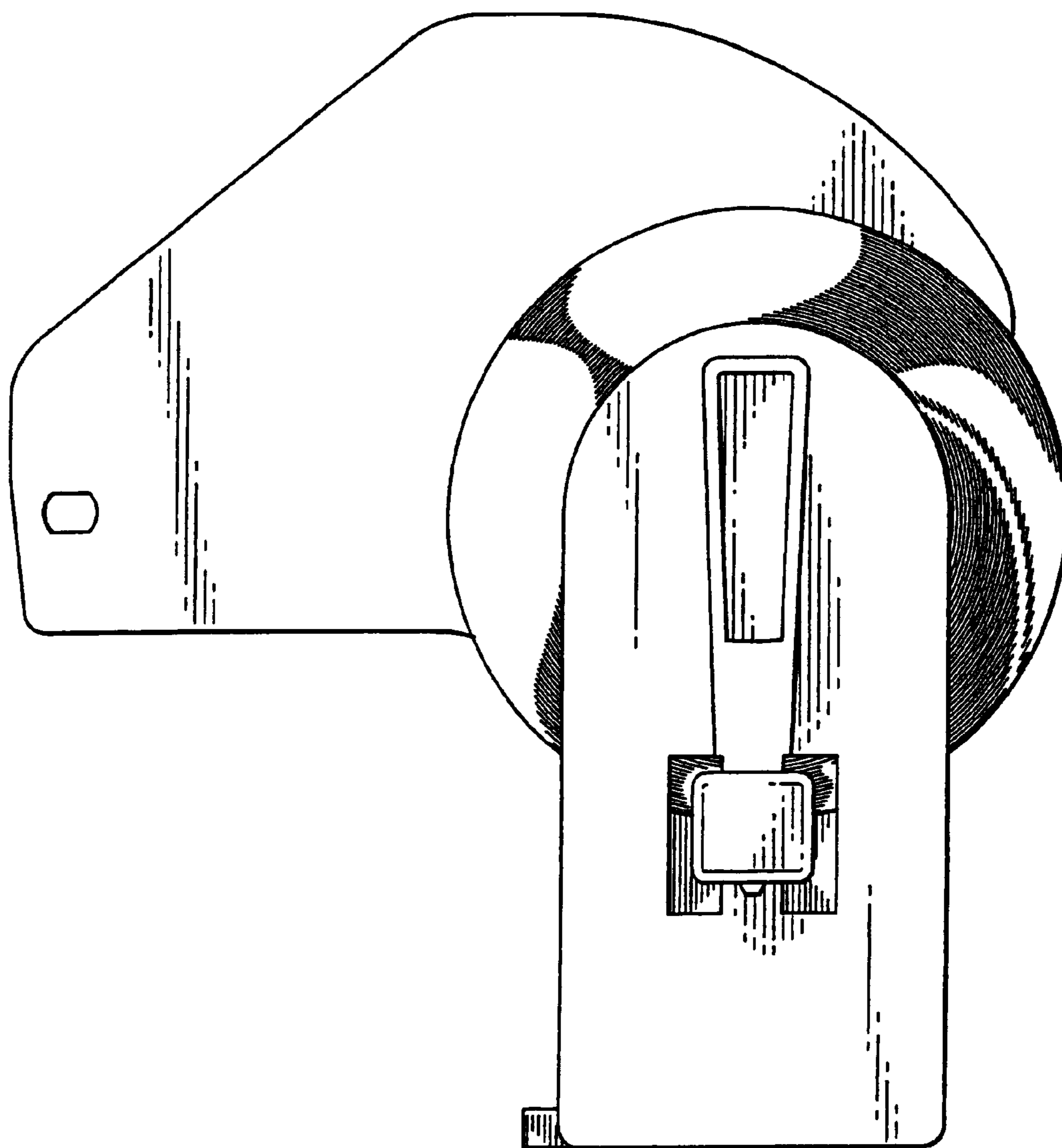


FIG. 3



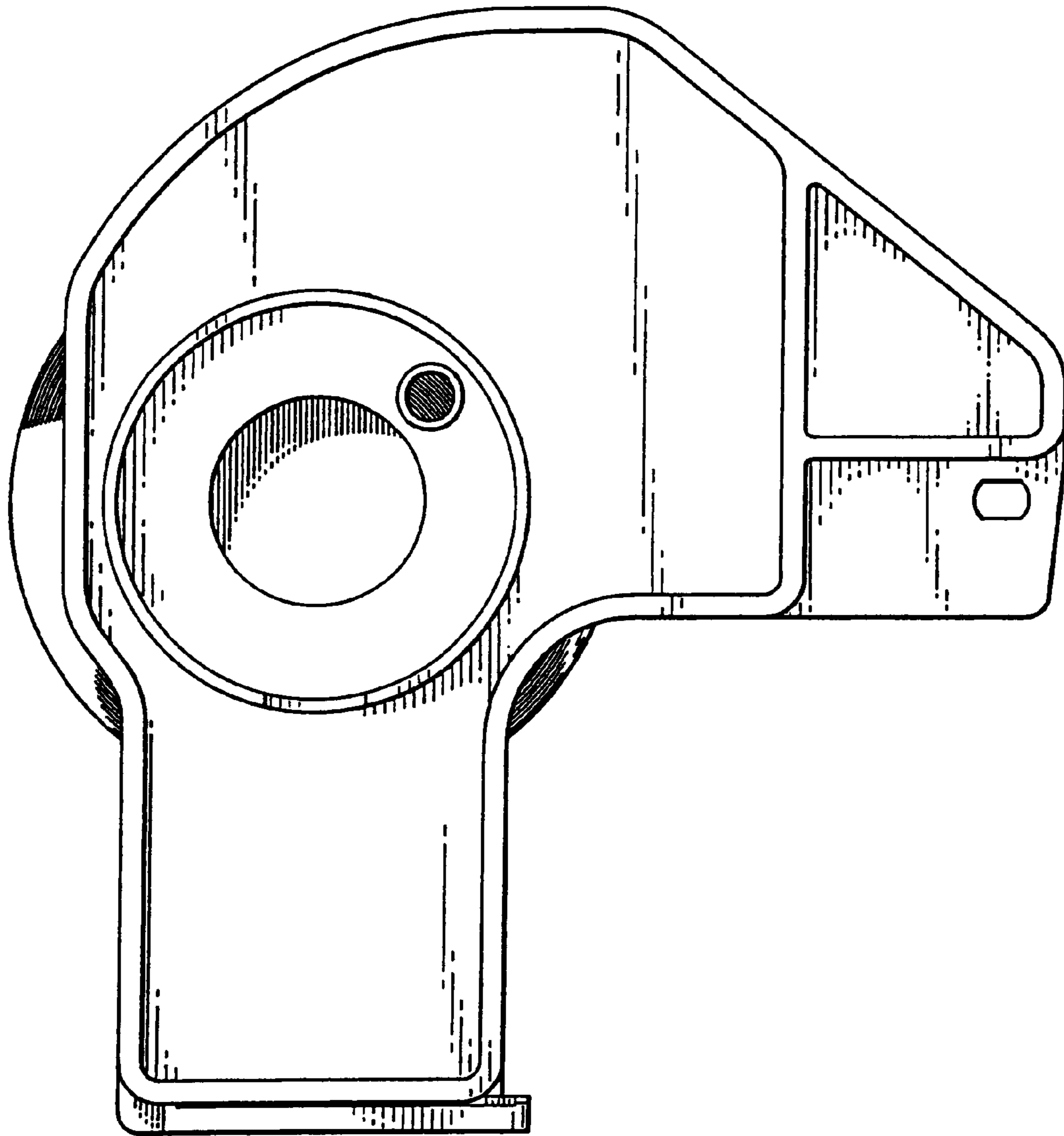


FIG. 4

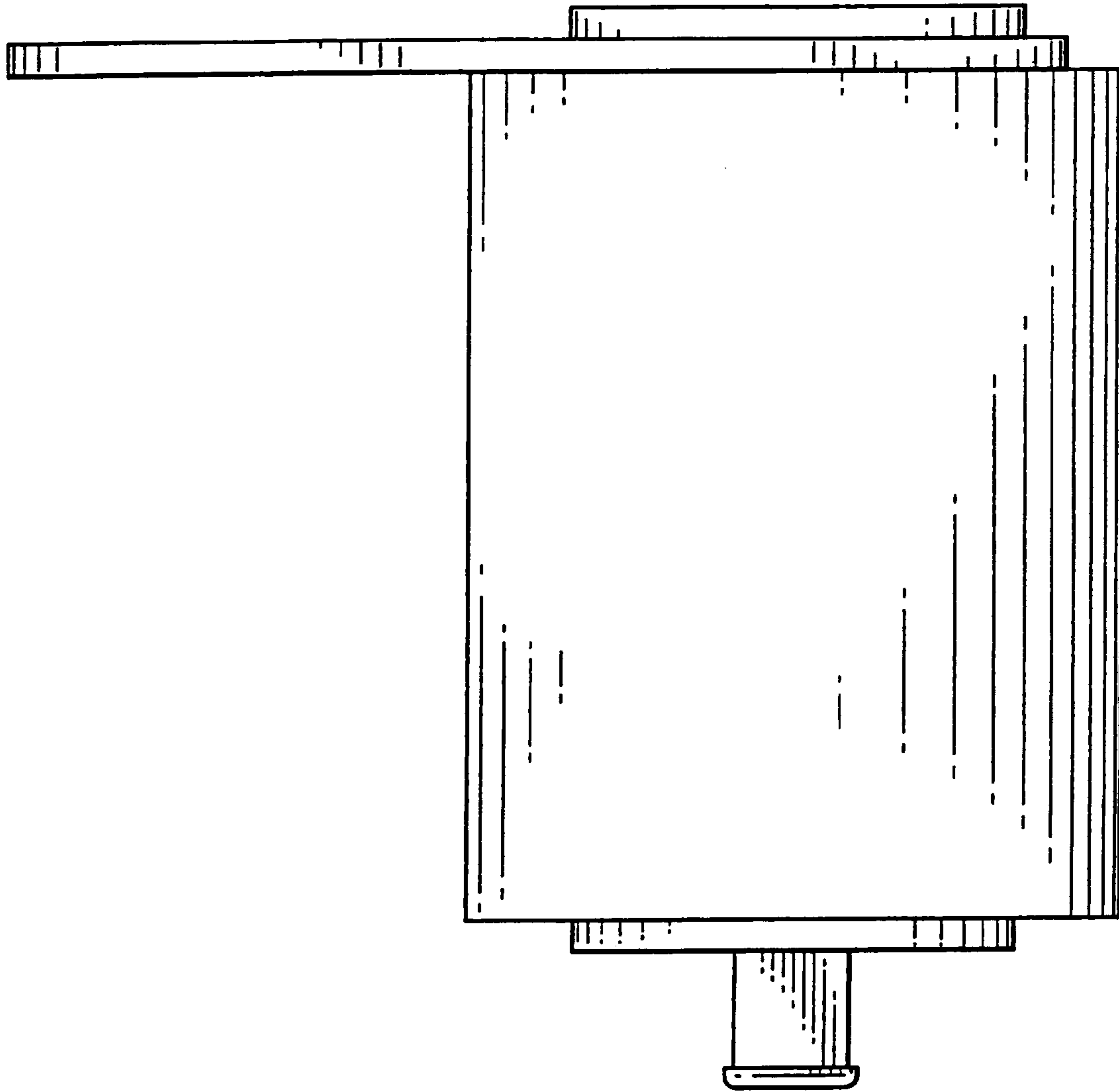


FIG. 5

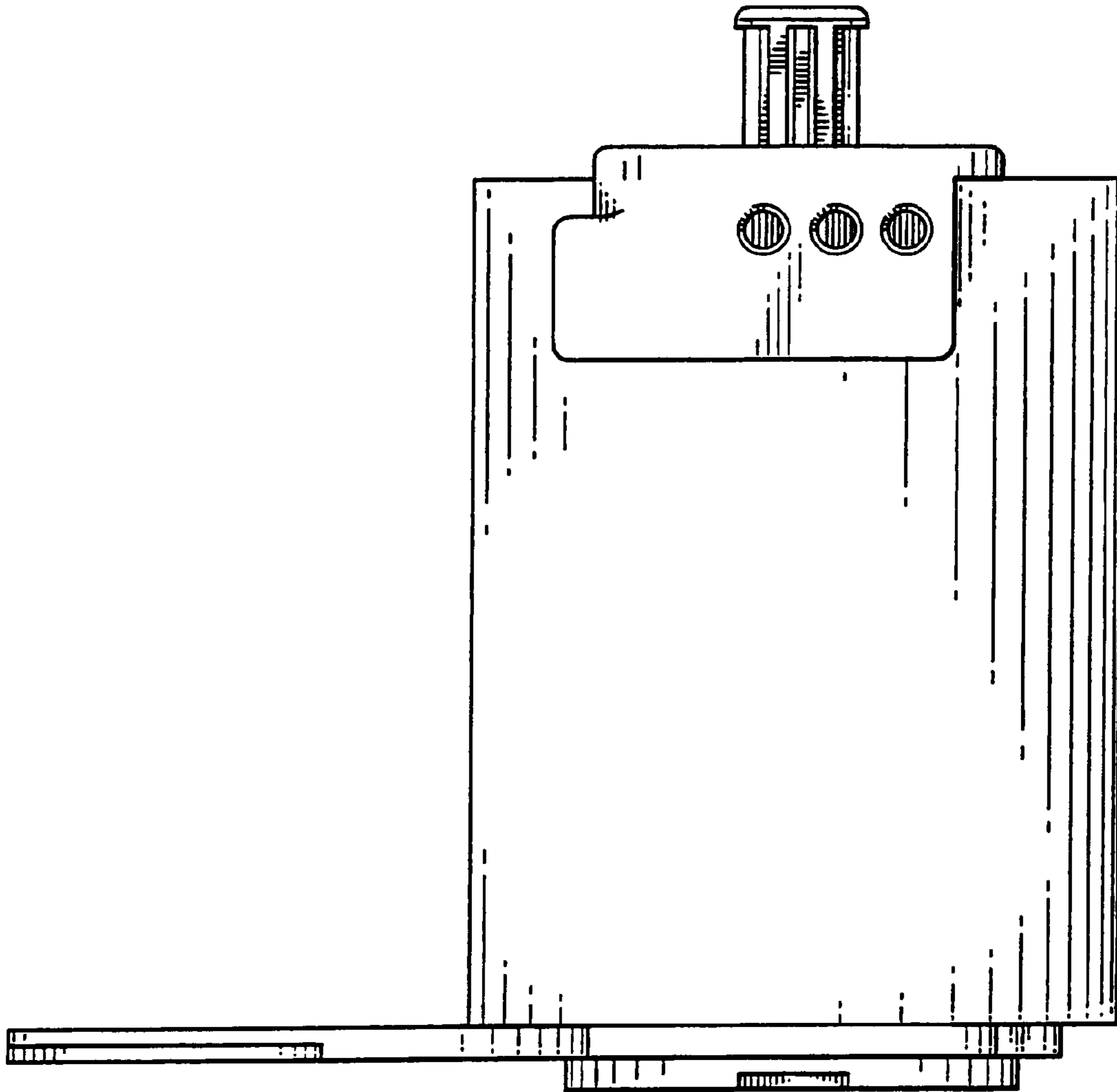


FIG. 6

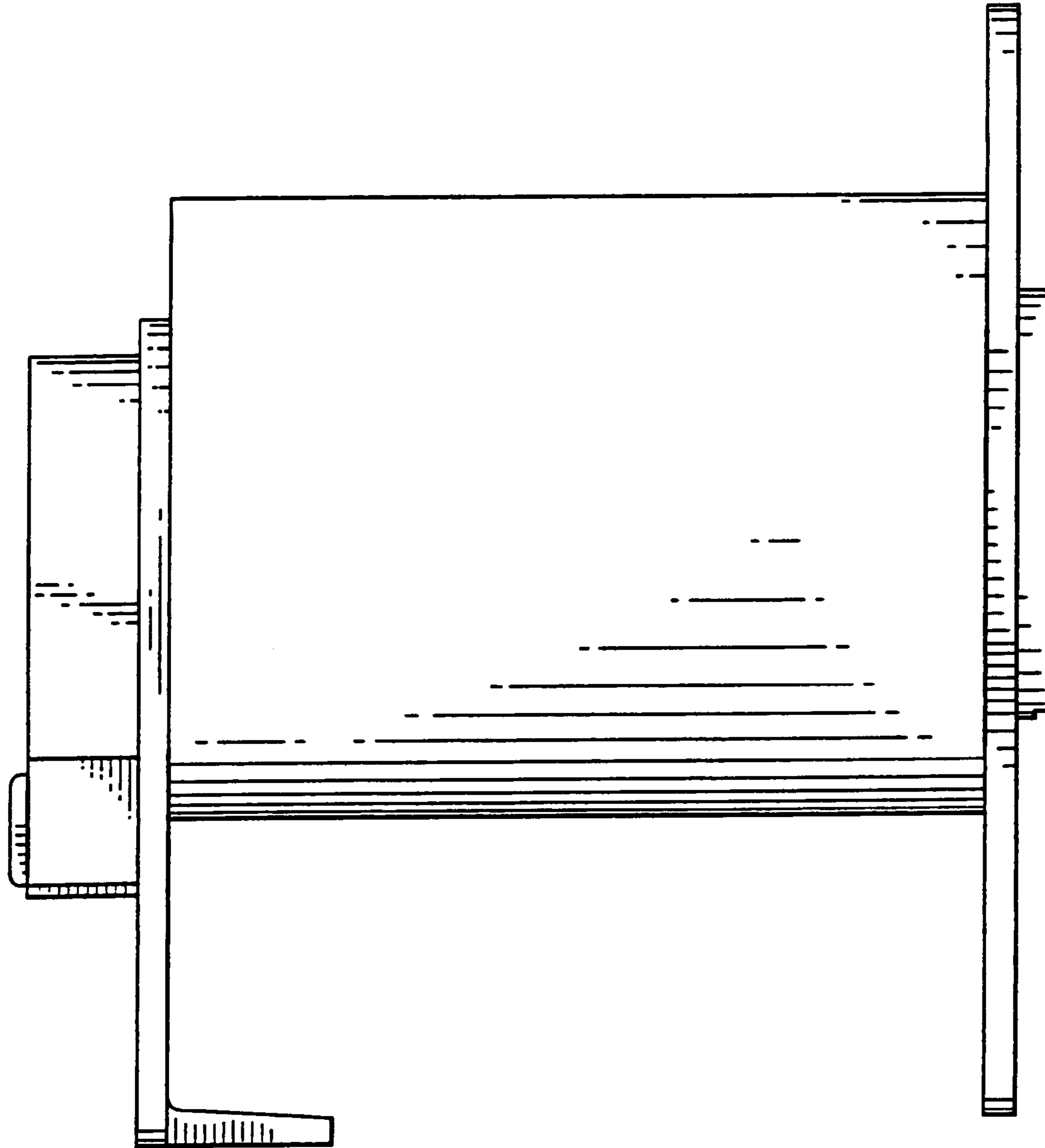


FIG. 7



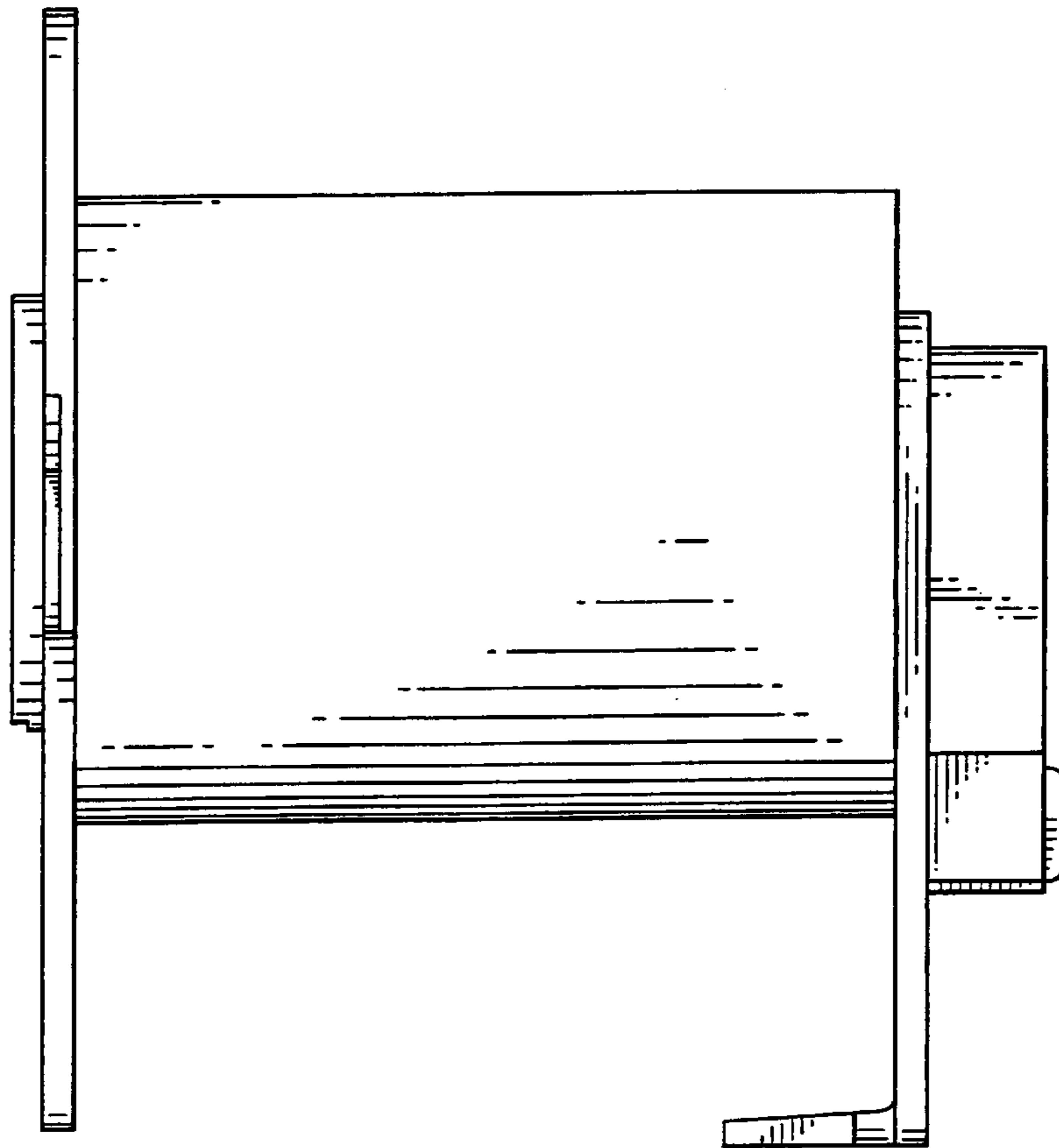


FIG. 8

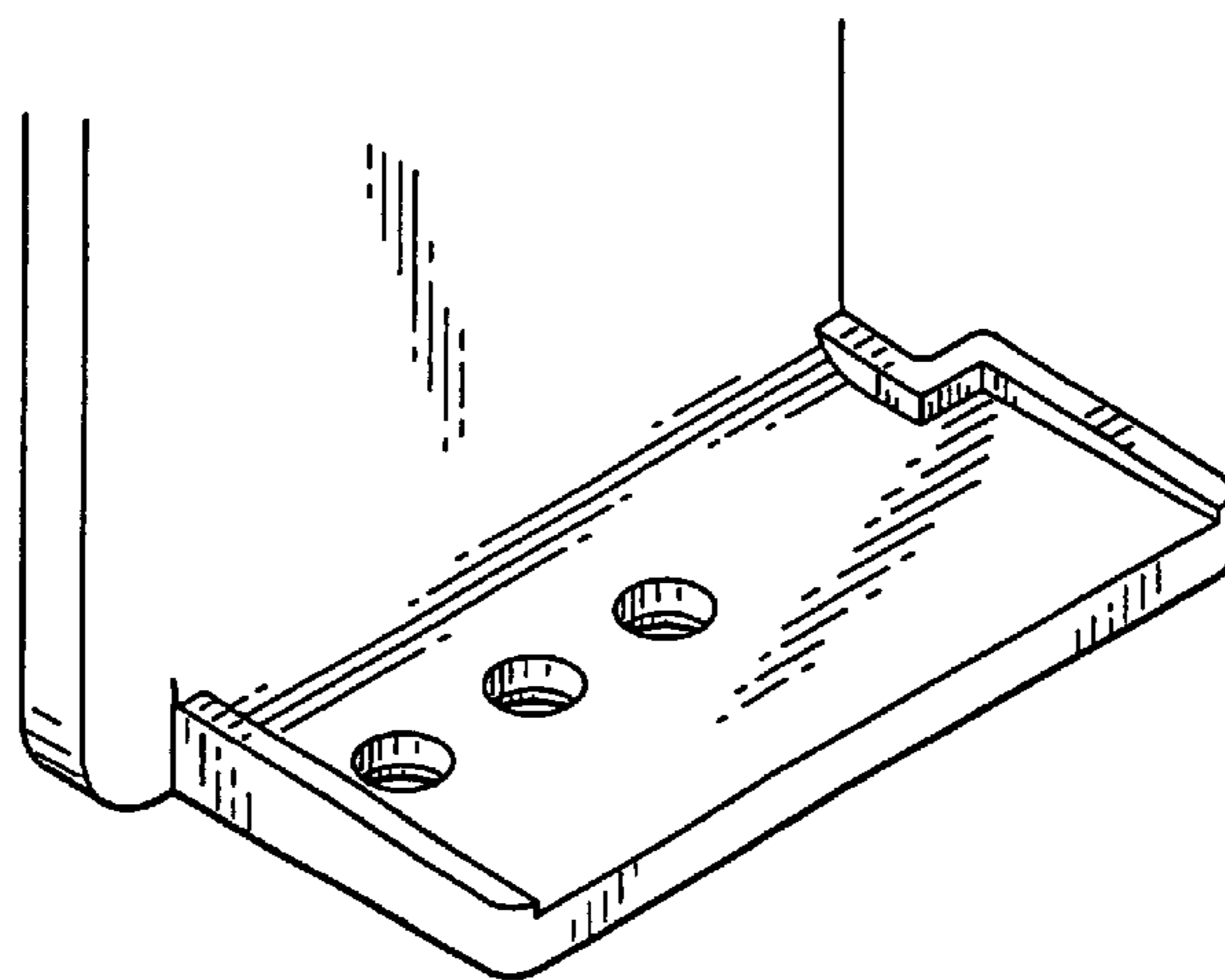


FIG. 9