

US00D525296S

(12) **United States Design Patent**
Nakashima et al.

(10) **Patent No.:** **US D525,296 S**
(45) **Date of Patent:** **** Jul. 18, 2006**

(54) **PRINT HEAD FOR AN INK JET PRINTER**

D379,637 S 6/1997 Akahane et al.
D391,604 S * 3/1998 Akahane et al. D18/56
D402,309 S * 12/1998 Arashima et al. D18/56

(75) Inventors: **Hiroaki Nakashima**, Kasuga (JP);
Hiroyuki Matsuba, Oonojo (JP)

FOREIGN PATENT DOCUMENTS

(73) Assignee: **Matsushita Electrical Industrial Co., Ltd.**, Osaka (JP)

JP D 826697 1/1992
JP D 827957 1/1992
JP D 941055 12/1995
JP D 1084027 9/2000
JP D 1188544 10/2003

(**) Term: **14 Years**

* cited by examiner

(21) Appl. No.: **29/217,300**

(22) Filed: **Nov. 15, 2004**

Primary Examiner—Cathy Anne MacCormac

(51) **LOC (8) Cl.** **18-02**

(74) *Attorney, Agent, or Firm*—Brinks Hofer Gilson & Lione

(52) **U.S. Cl.** **D18/56; 347/86**

(58) **Field of Classification Search** D18/12,
D18/43, 56; 347/86–87; 399/110
See application file for complete search history.

(57) **CLAIM**

We claim the ornamental design for a print head for an ink jet printer, as shown and described.

(56) **References Cited**

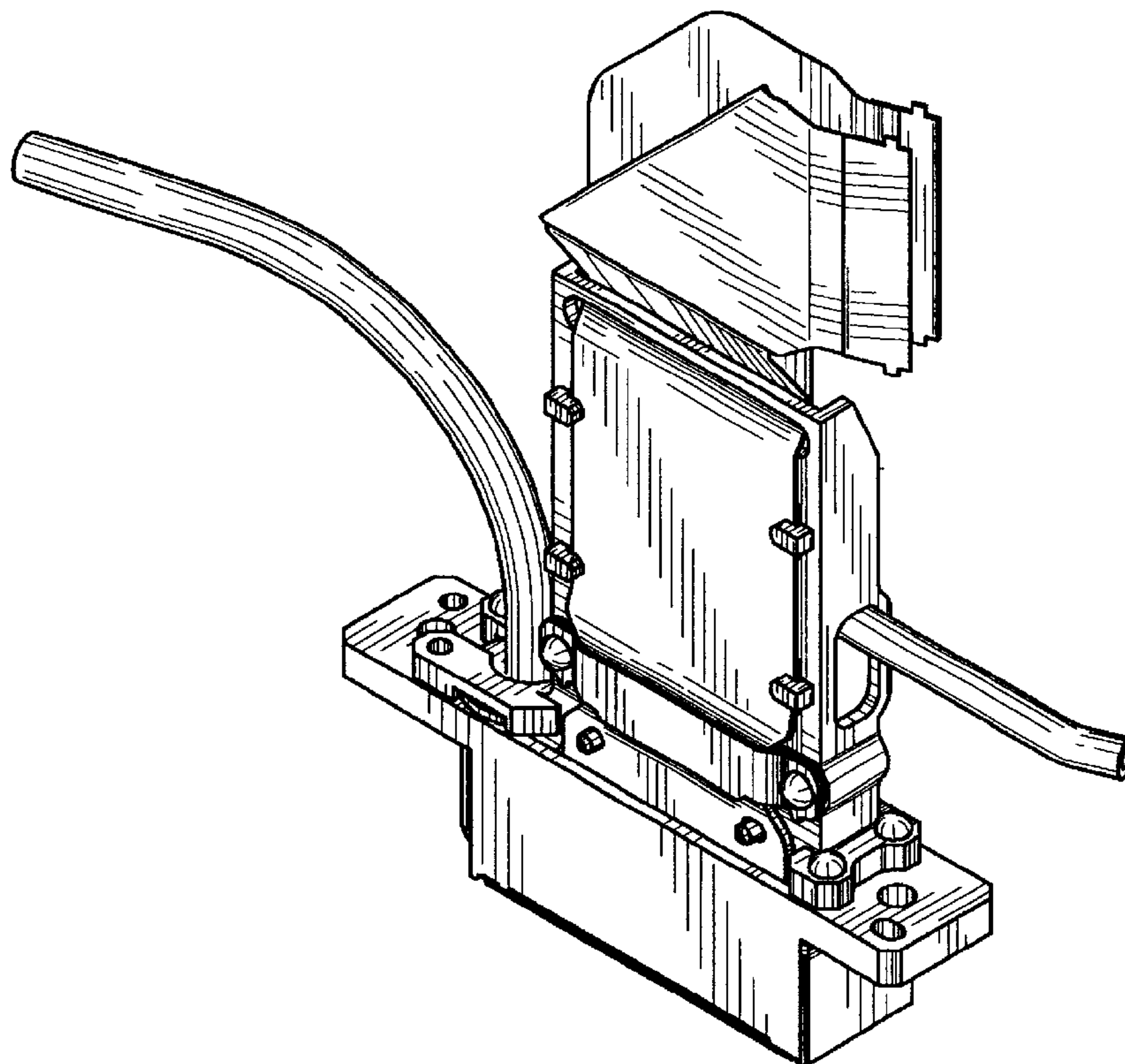
DESCRIPTION

U.S. PATENT DOCUMENTS

D313,427 S * 1/1991 Saeki D18/56
D314,007 S * 1/1991 Kimura et al. D18/56
D333,675 S * 3/1993 Chiovitti D18/56
5,205,659 A * 4/1993 Gugel et al. D18/56
D338,911 S * 8/1993 Ujita et al. D18/56
5,255,988 A * 10/1993 Yamamoto D18/56
D345,576 S * 3/1994 Yamakawa D18/56
D351,856 S * 10/1994 Watanabe et al. D18/56
D352,058 S * 11/1994 Kubota et al. D18/56
D354,982 S * 1/1995 Akahane et al. D18/56

FIG. 1 is a top perspective view of a print head for an ink jet printer of the present invention;
FIG. 2 is a front view thereof;
FIG. 3 is a rear view thereof;
FIG. 4 is a first side view thereof;
FIG. 5 is a second side view thereof;
FIG. 6 is a top view thereof; and,
FIG. 7 is a bottom view thereof.

1 Claim, 7 Drawing Sheets



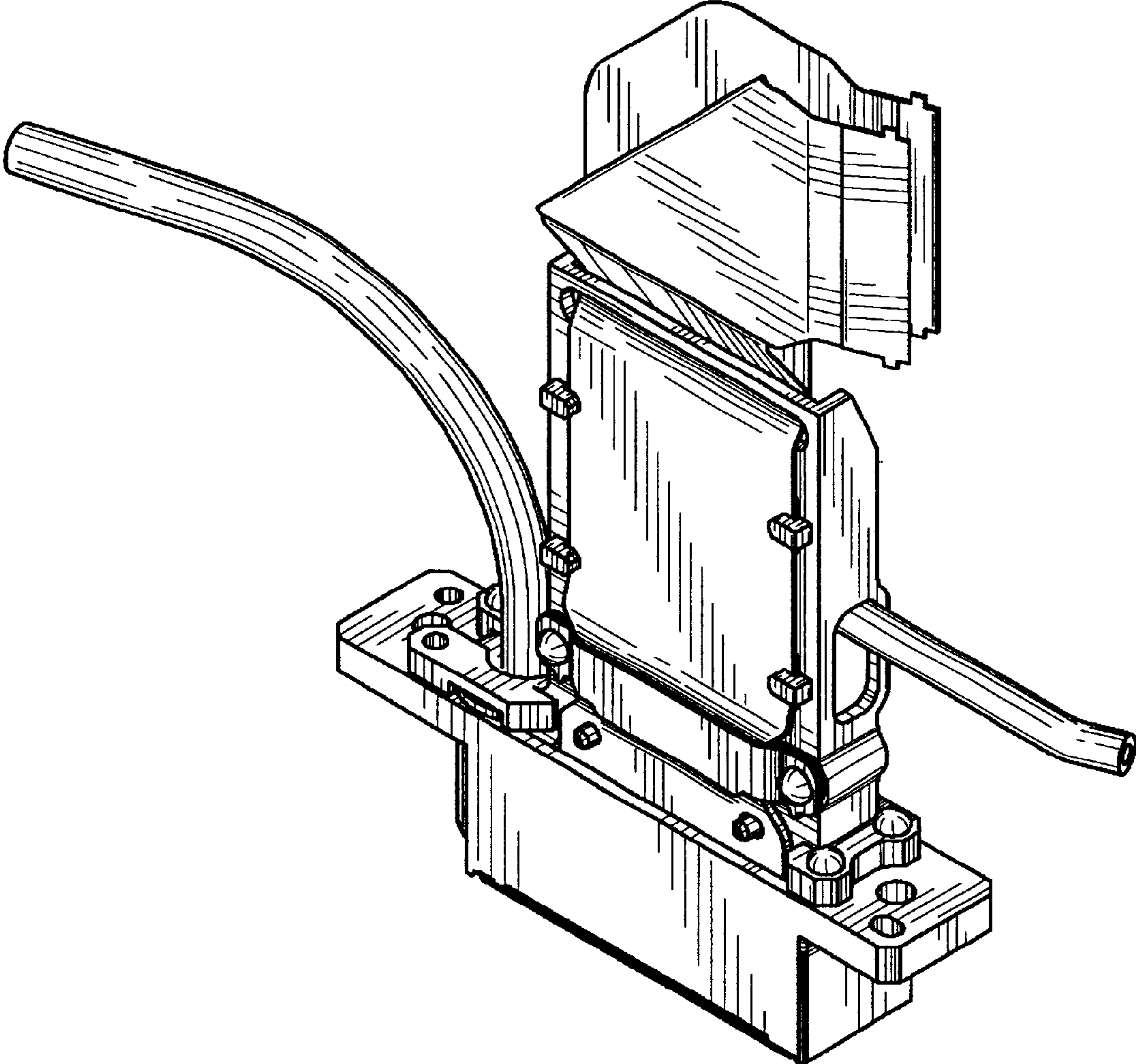


FIG. 1

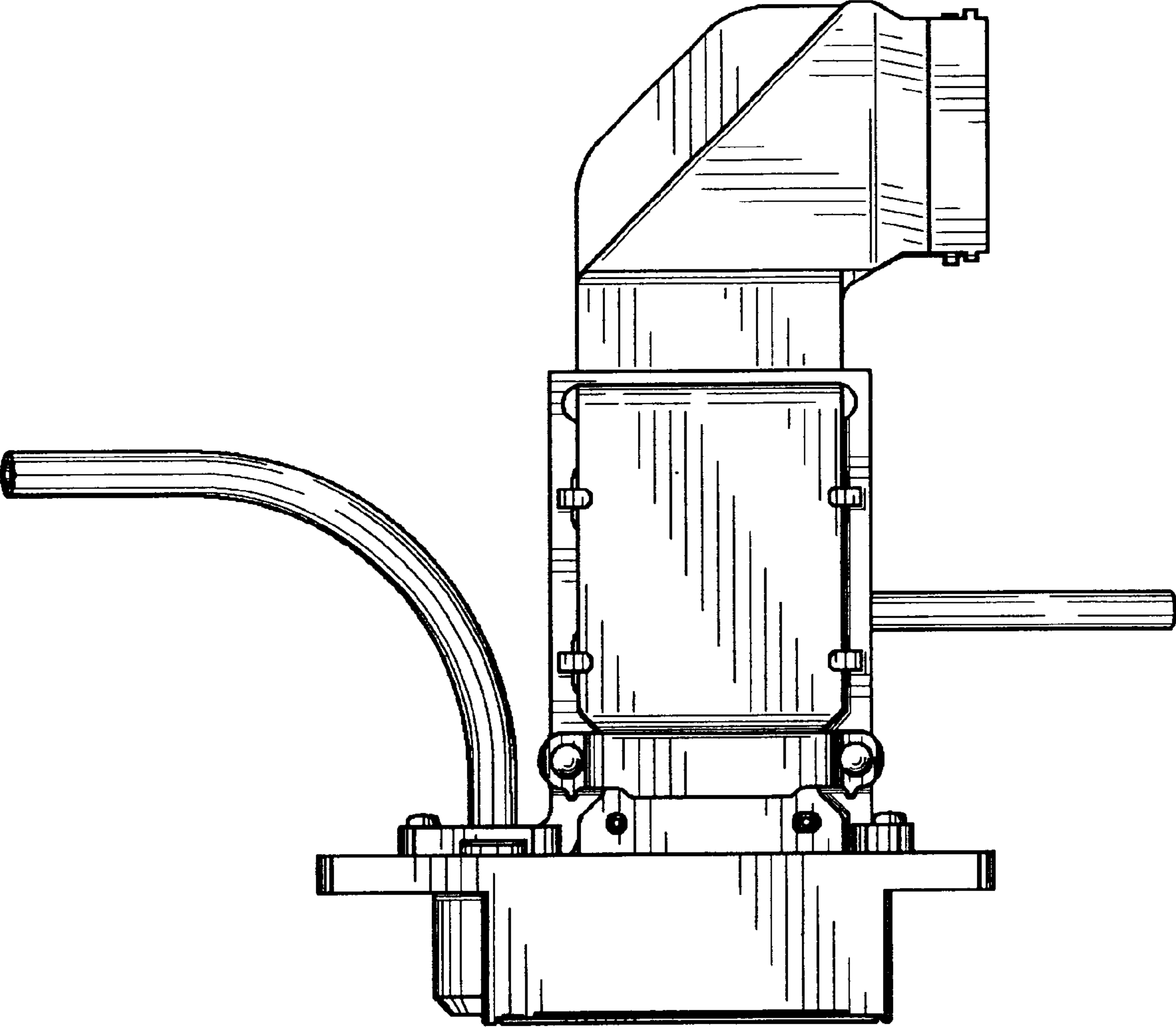


FIG. 2

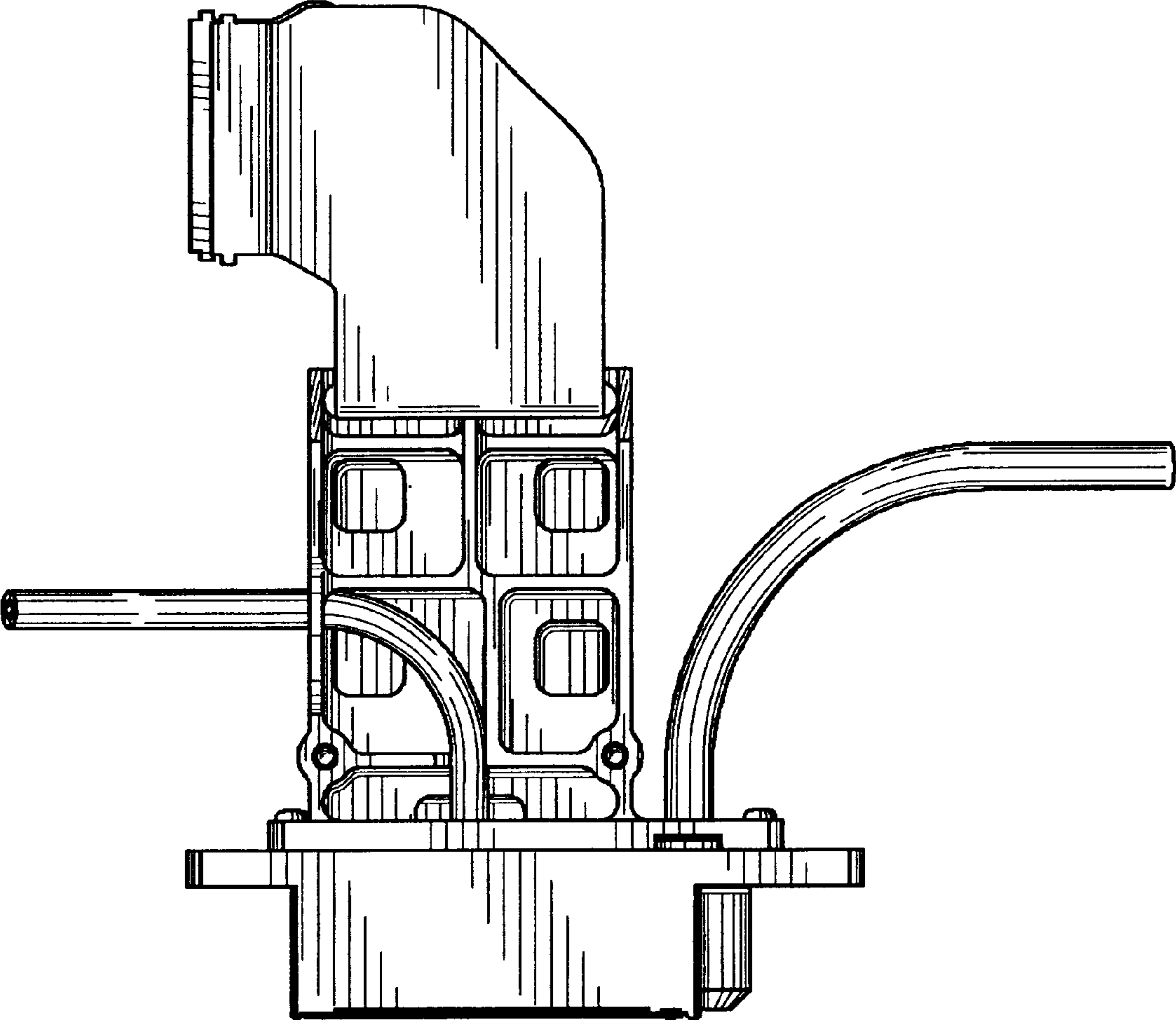


FIG. 3

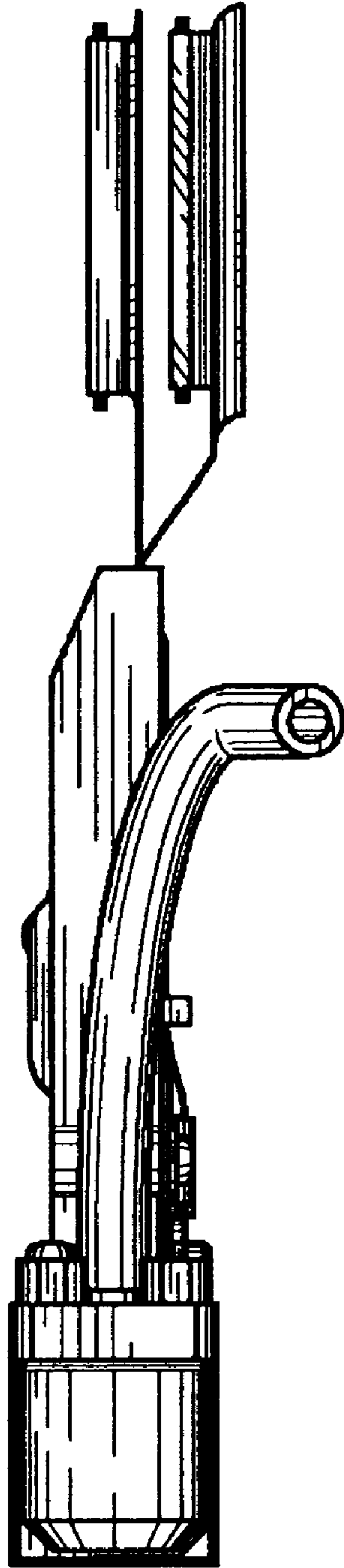


FIG. 4

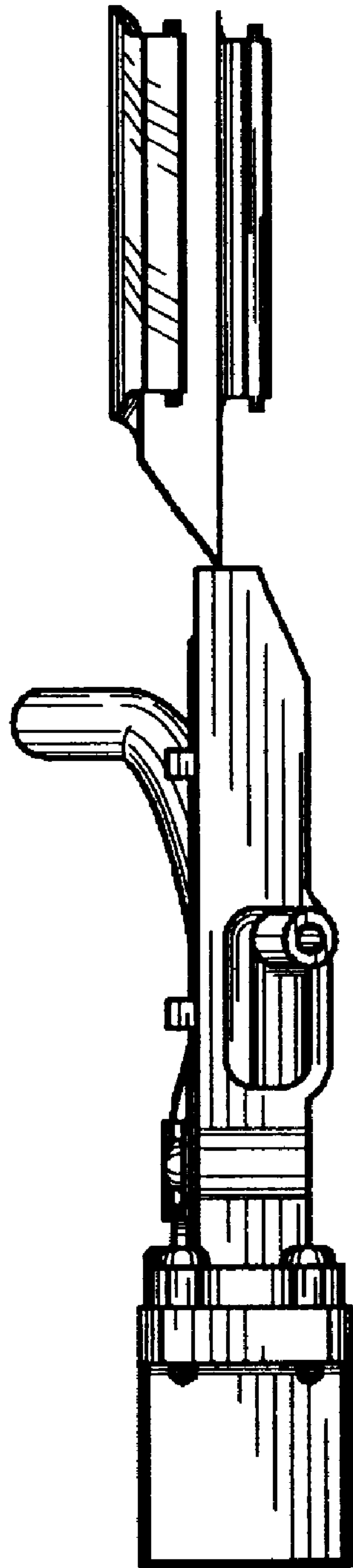


FIG. 5

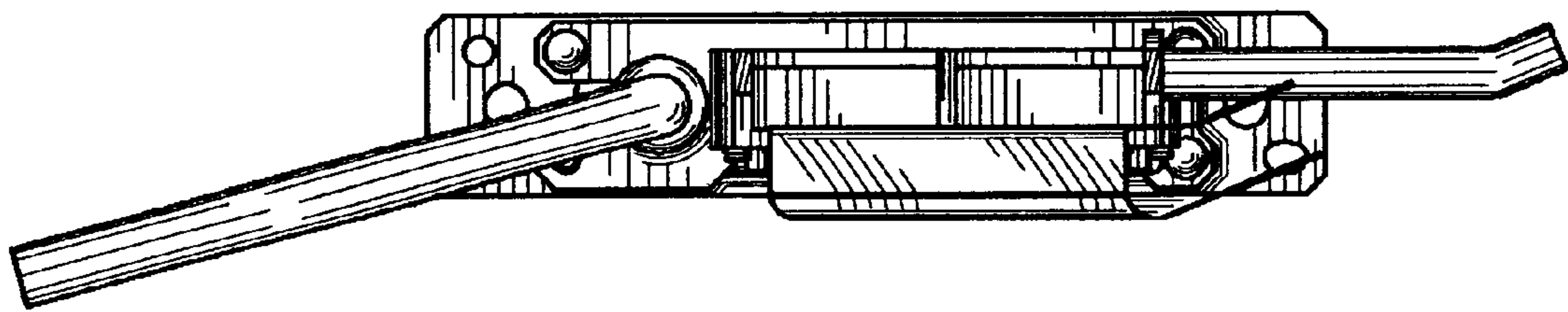


FIG. 6

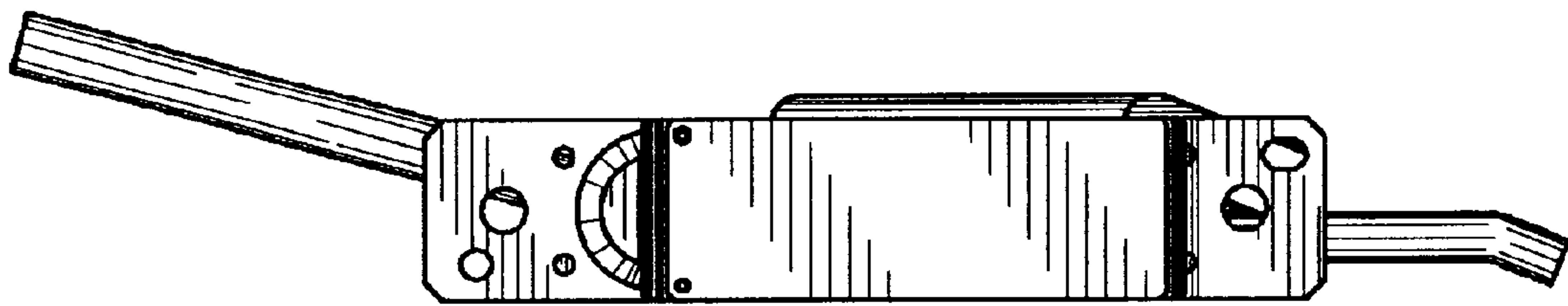


FIG. 7