

US00D525295S

(12) **United States Design Patent**
Suzuki et al.

(10) **Patent No.:** **US D525,295 S**
(45) **Date of Patent:** **** Jul. 18, 2006**

(54) **PRINTER**

(75) Inventors: **Wataru Suzuki**, Nagano (JP); **Tetsu Nakayama**, Nagano (JP); **Emi Akahane**, Nagano (JP); **Takayuki Iijima**, Nagano (JP); **Daisuke Imai**, Nagano (JP); **Katsumi Tohgoh**, Nagano (JP); **Mikinobu Abe**, Nagano (JP)

(73) Assignee: **Seiko Epson Corporation**, Tokyo (JP)

(**) Term: **14 Years**

(21) Appl. No.: **29/225,180**

(22) Filed: **Mar. 14, 2005**

(30) **Foreign Application Priority Data**

Sep. 15, 2004 (JP) 2004-027994
Sep. 15, 2004 (JP) 2004-027995

(51) **LOC (8) Cl.** **14-02**

(52) **U.S. Cl.** **D18/55**

(58) **Field of Classification Search** D18/14,
D18/19, 36-39, 50, 54, 54.1, 55; D14/420-425,
D14/46; D16/237, 247-248; 400/613, 613.1,
400/613.2, 613.3, 613.4, 690.1, 690.2, 690.3,
400/690.4, 691-694; 399/109

See application file for complete search history.

(56) **References Cited**

U.S. PATENT DOCUMENTS

D378,378 S * 3/1997 Nakazawa et al. D18/54
D390,258 S * 2/1998 Kawahara et al. D18/55
D400,918 S * 11/1998 Kobayashi et al. D18/55
D411,228 S * 6/1999 Kobayashi et al. D18/50
D435,588 S * 12/2000 Kobayashi et al. D18/55

D449,067 S * 10/2001 Kobayashi et al. D18/55
D452,706 S * 1/2002 Senshiki D18/55
D489,084 S * 4/2004 Tashiro et al. D18/54
D489,401 S * 5/2004 Senshiki et al. D18/54

* cited by examiner

Primary Examiner—Cathy Anne MacCormac
(74) *Attorney, Agent, or Firm*—Sughrue Mion, PLLC

(57) **CLAIM**

The ornamental design for a printer, as shown.

DESCRIPTION

FIG. 1 is a perspective view of the top, front, and right side of a printer showing our new design according to a first embodiment;

FIG. 2 is a front elevational view thereof;

FIG. 3 is a rear elevational view thereof;

FIG. 4 is a left side elevational view thereof;

FIG. 5 is a right side elevational view thereof;

FIG. 6 is a top plan view thereof;

FIG. 7 is a bottom plan view thereof;

FIG. 8 is a perspective view of the top, front, and right side thereof showing trays in an extended position;

FIG. 9 is a perspective view of the top, front and right side of a printer according to a second embodiment;

FIG. 10 is a front elevational view thereof;

FIG. 11 is a rear elevational view thereof;

FIG. 12 is a left side elevational view thereof;

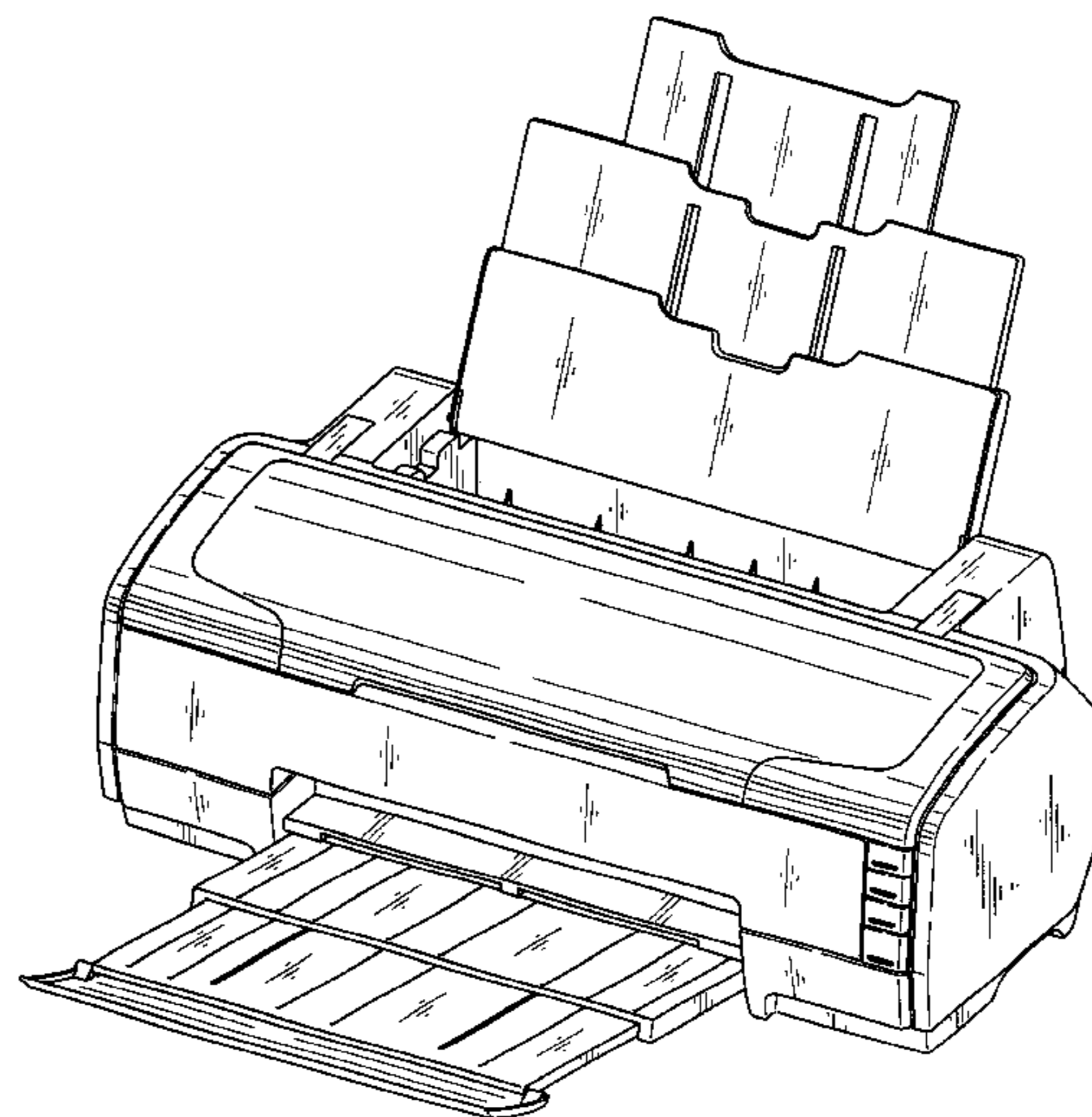
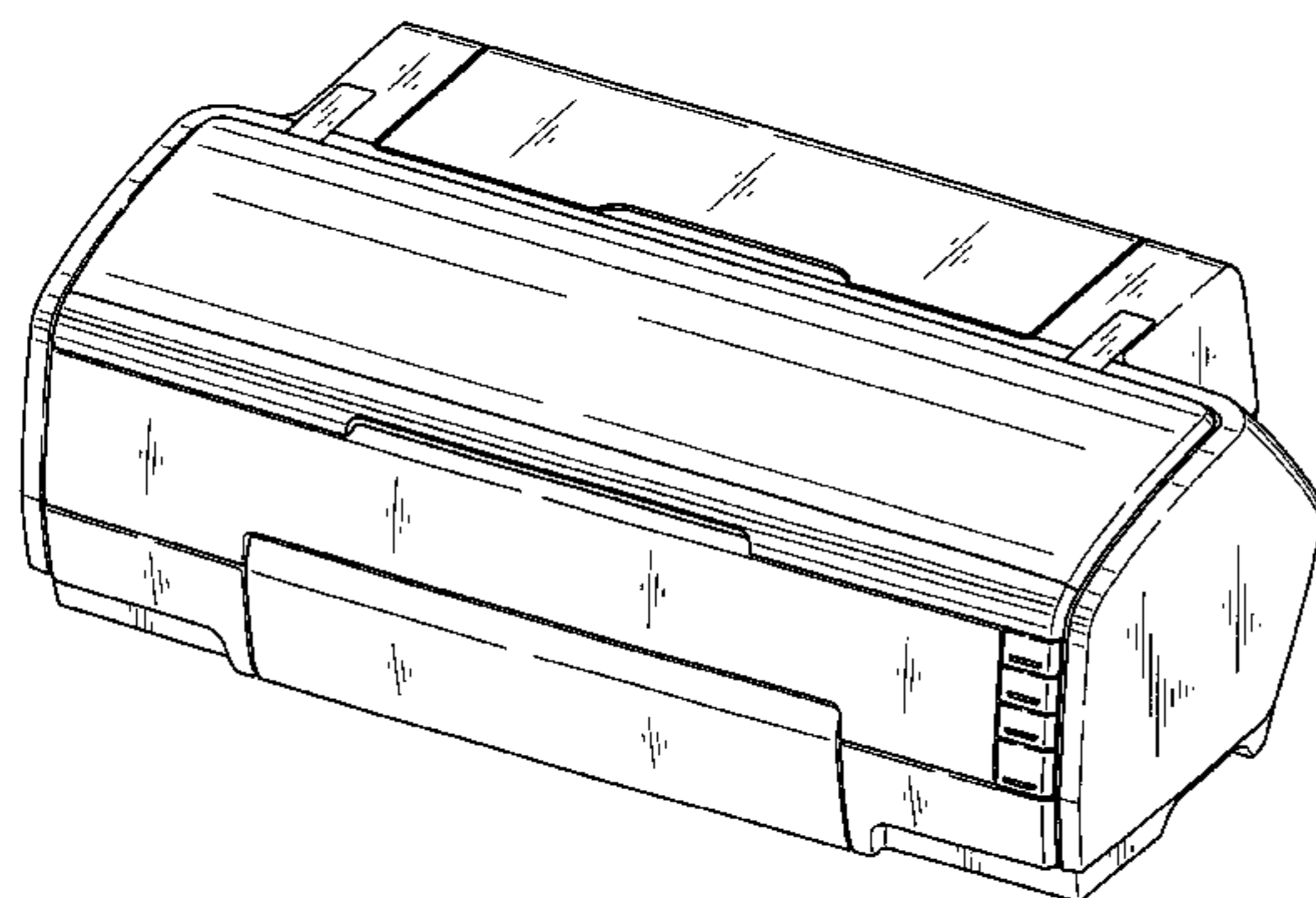
FIG. 13 is a right side elevational view thereof;

FIG. 14 is a top plan view thereof;

FIG. 15 is a bottom plan view thereof; and,

FIG. 16 is a perspective view of the top, front and right side thereof showing trays in an extended position.

1 Claim, 10 Drawing Sheets



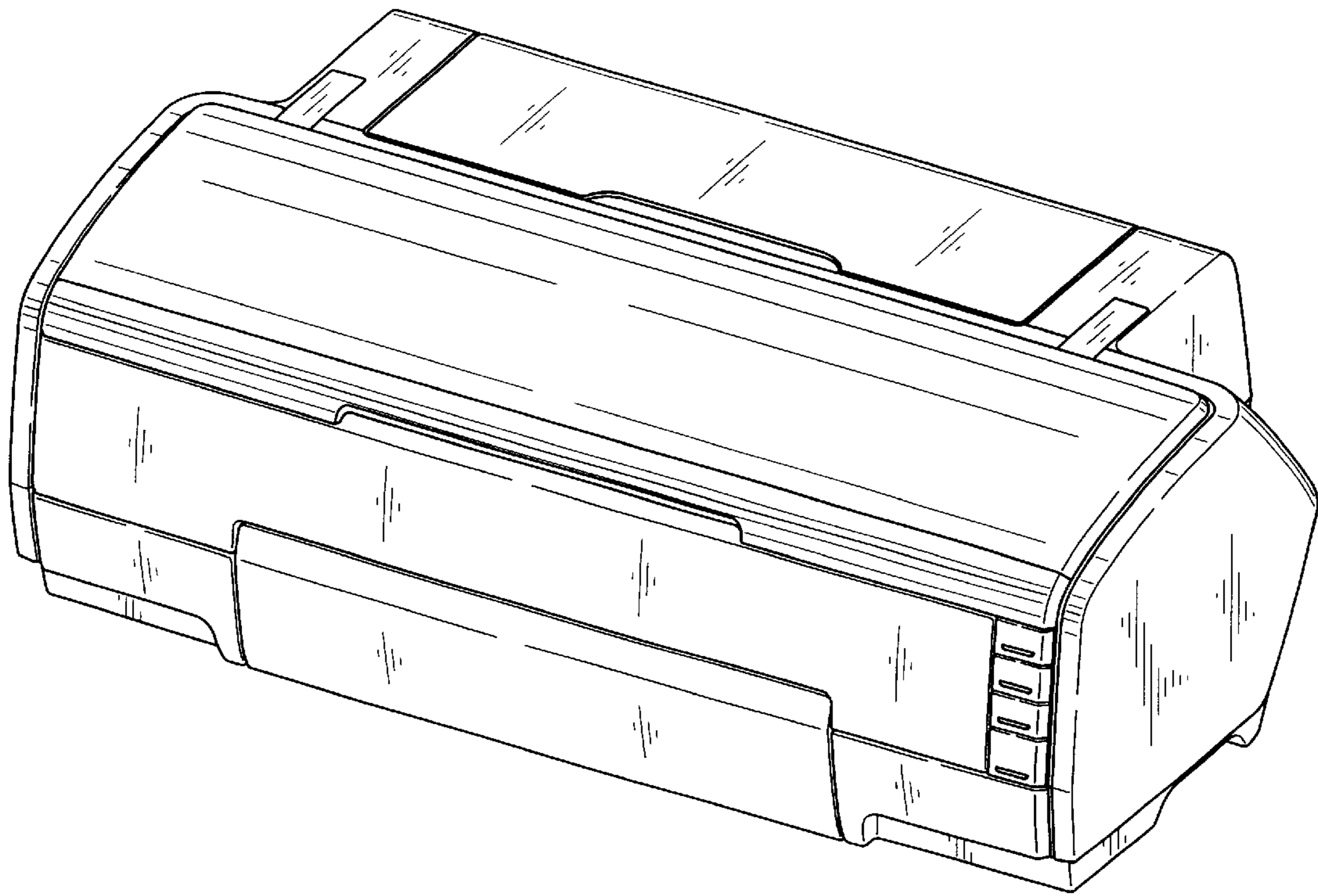


FIG. 1

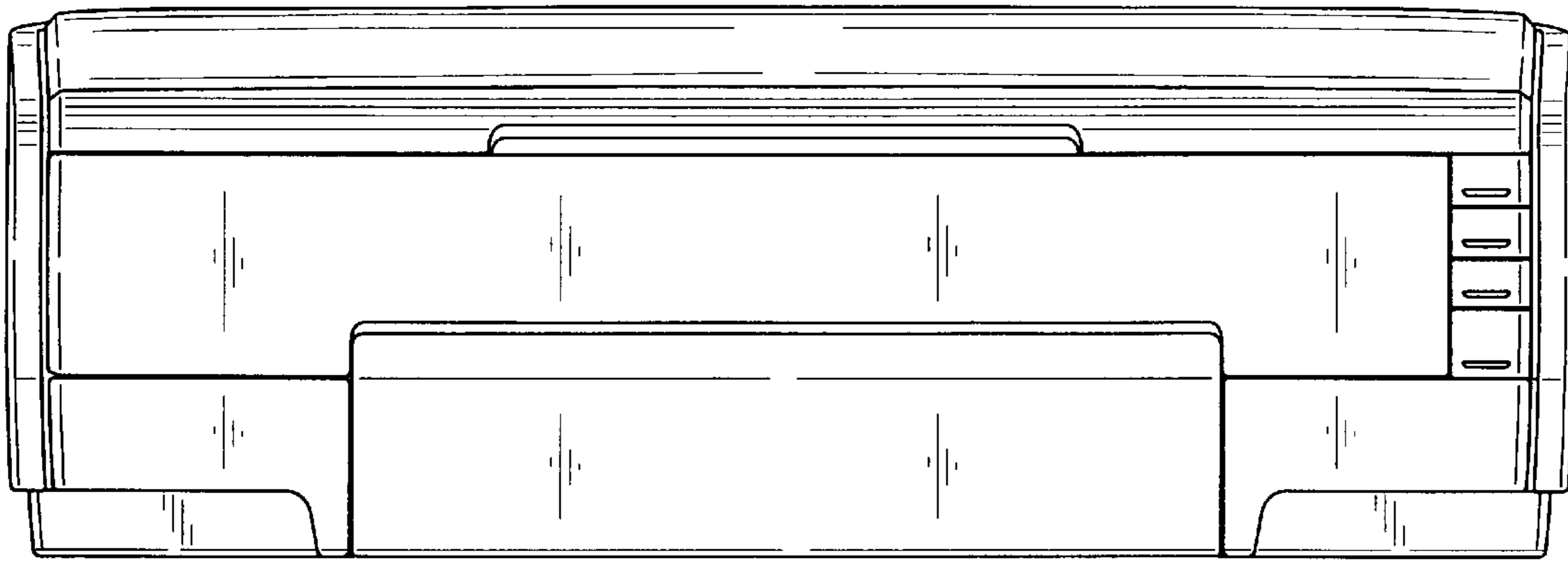


FIG. 2

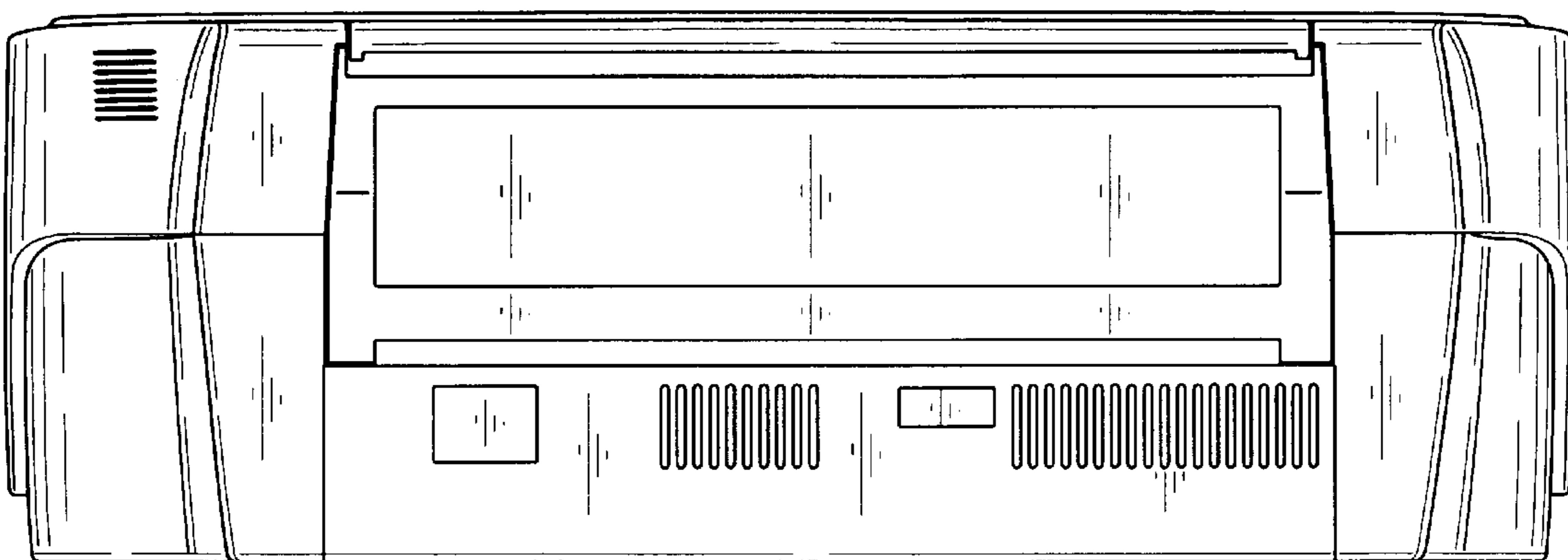


FIG. 3

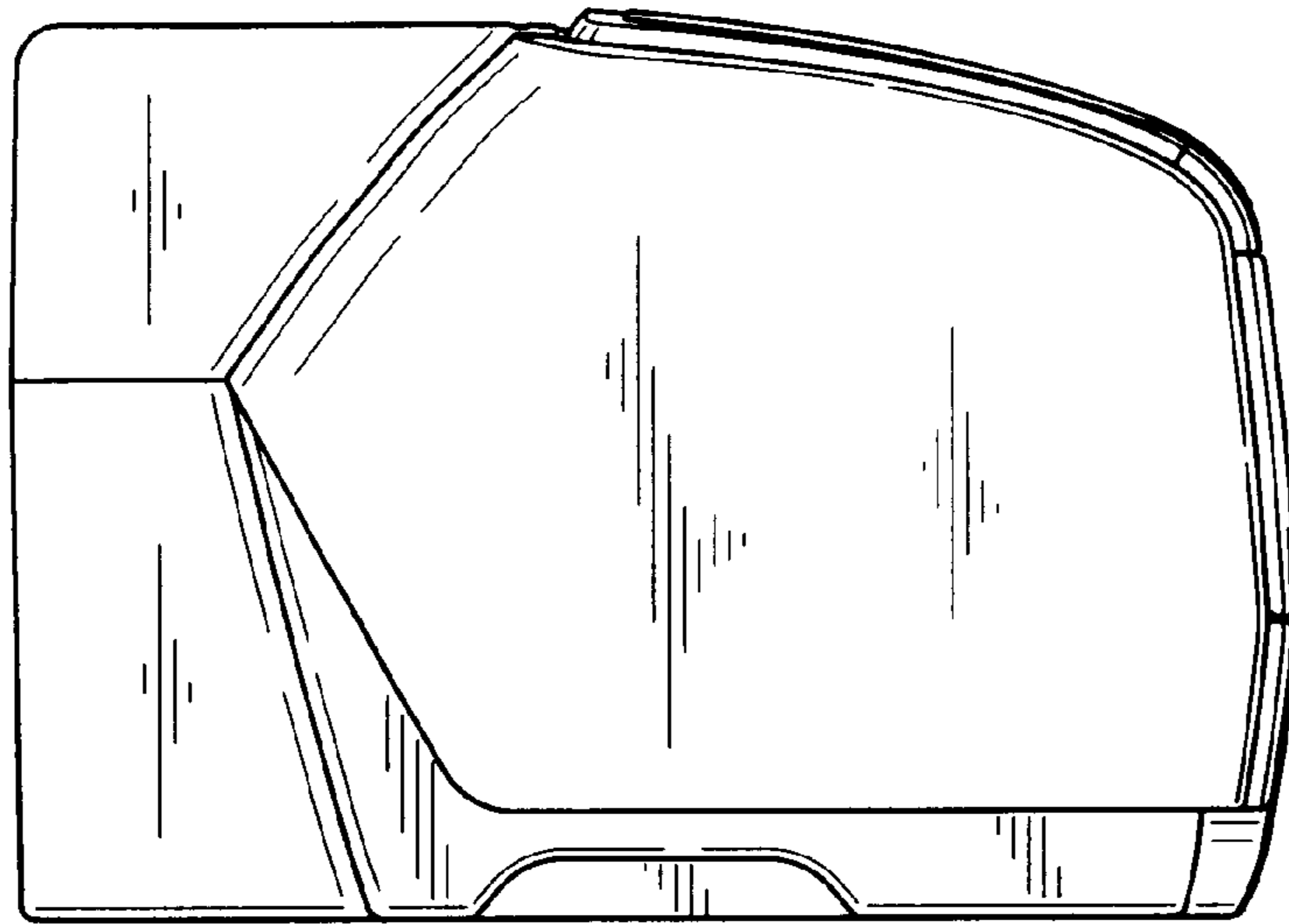


FIG. 4

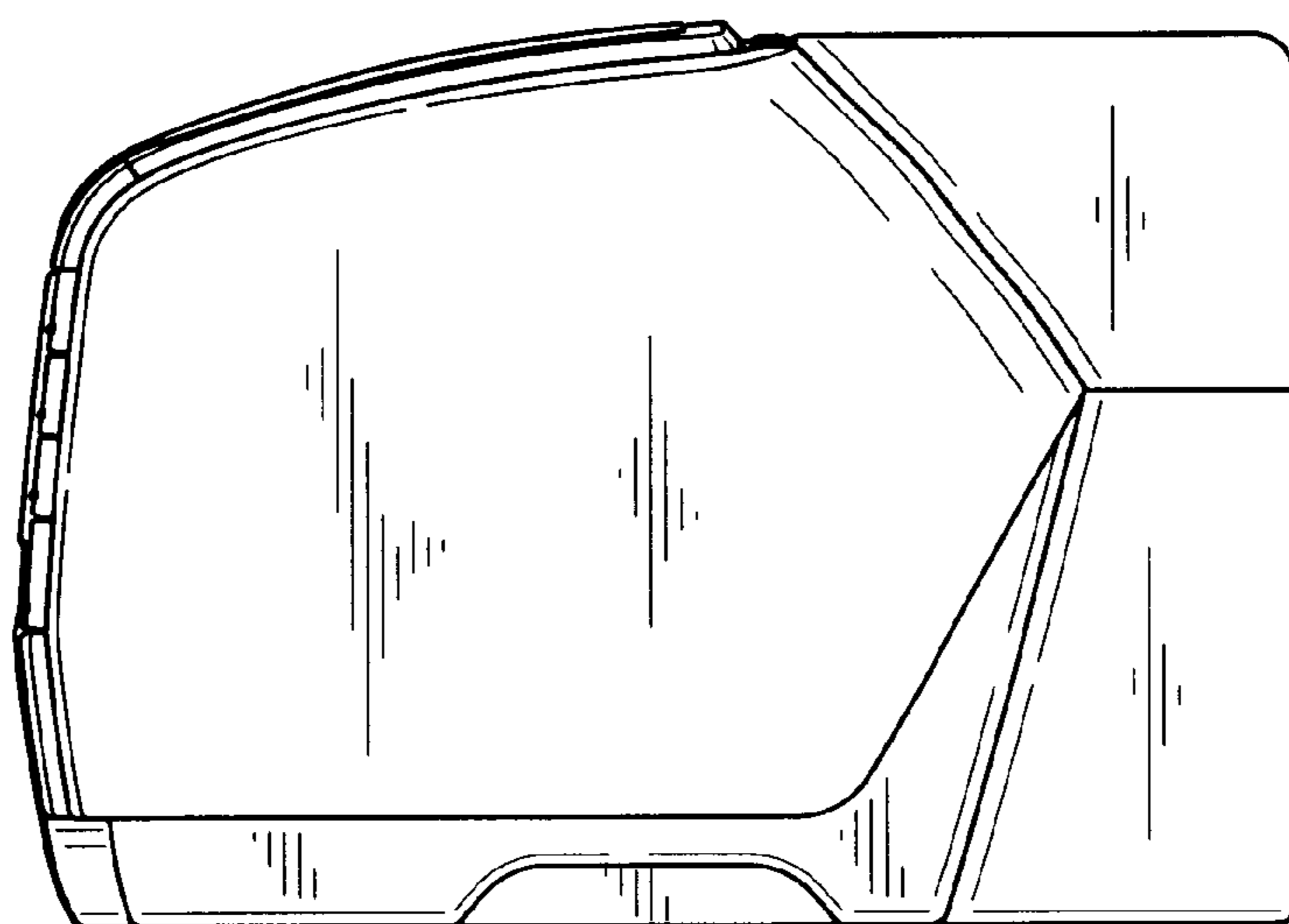


FIG. 5

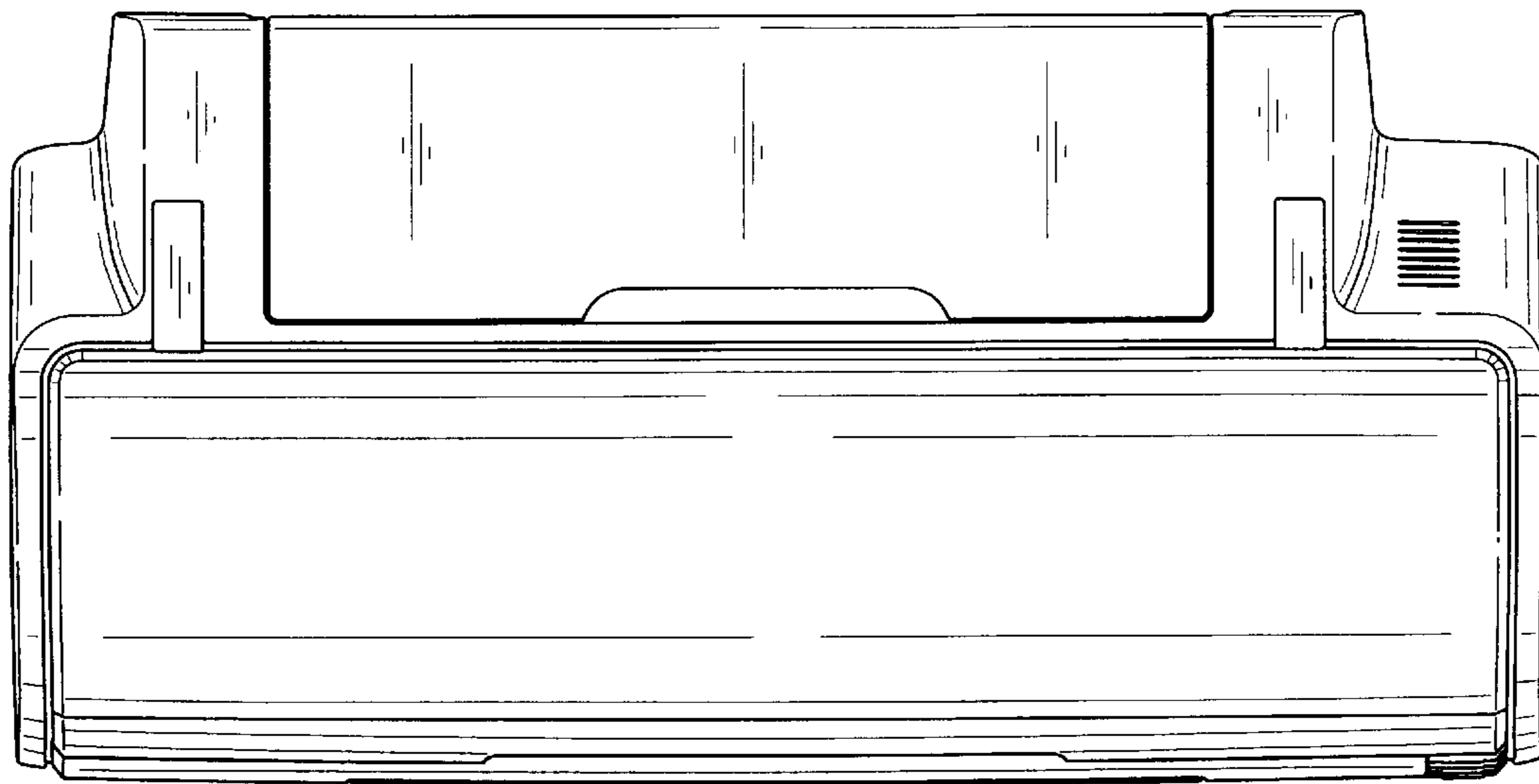


FIG. 6

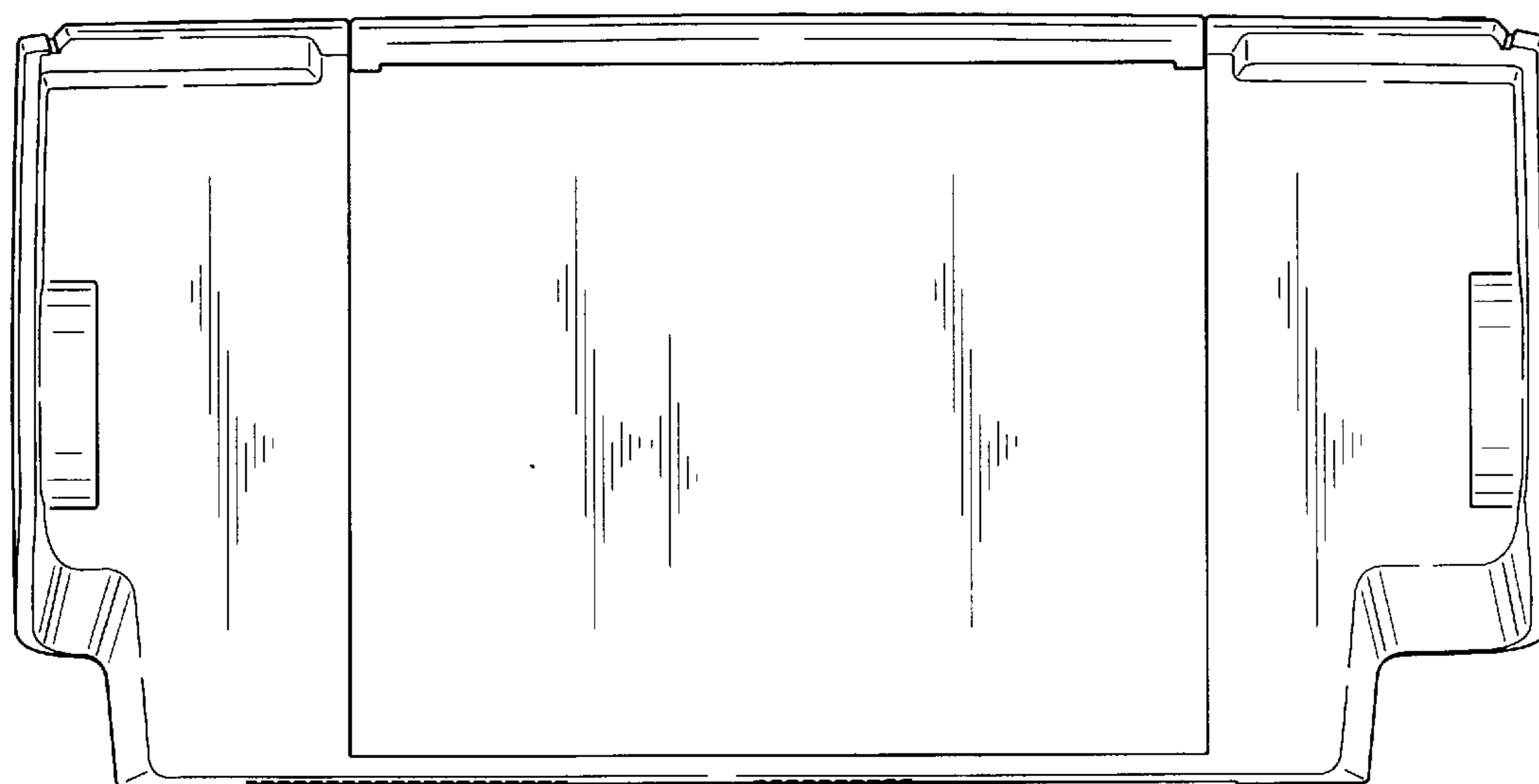


FIG. 7

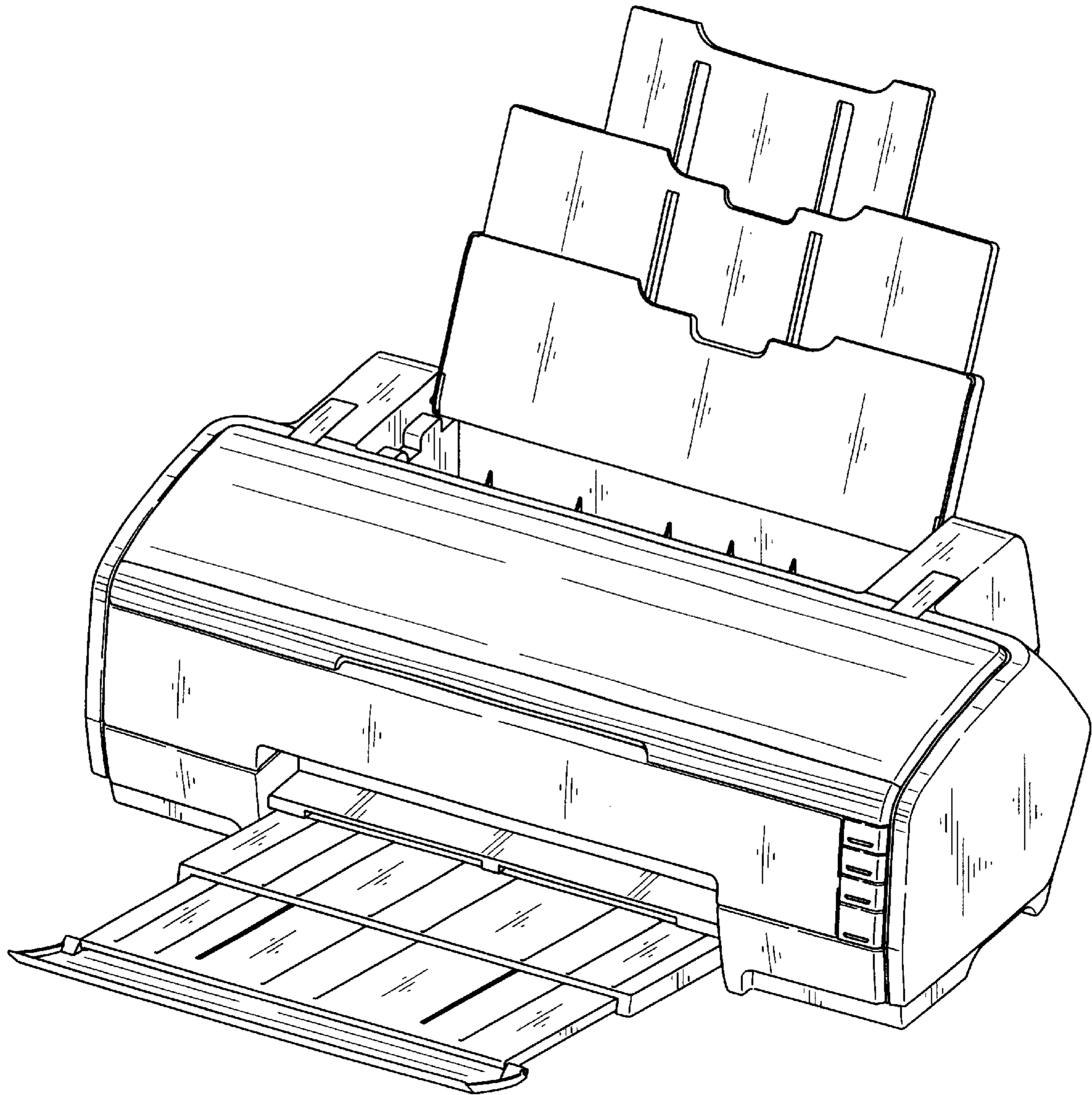


FIG. 8

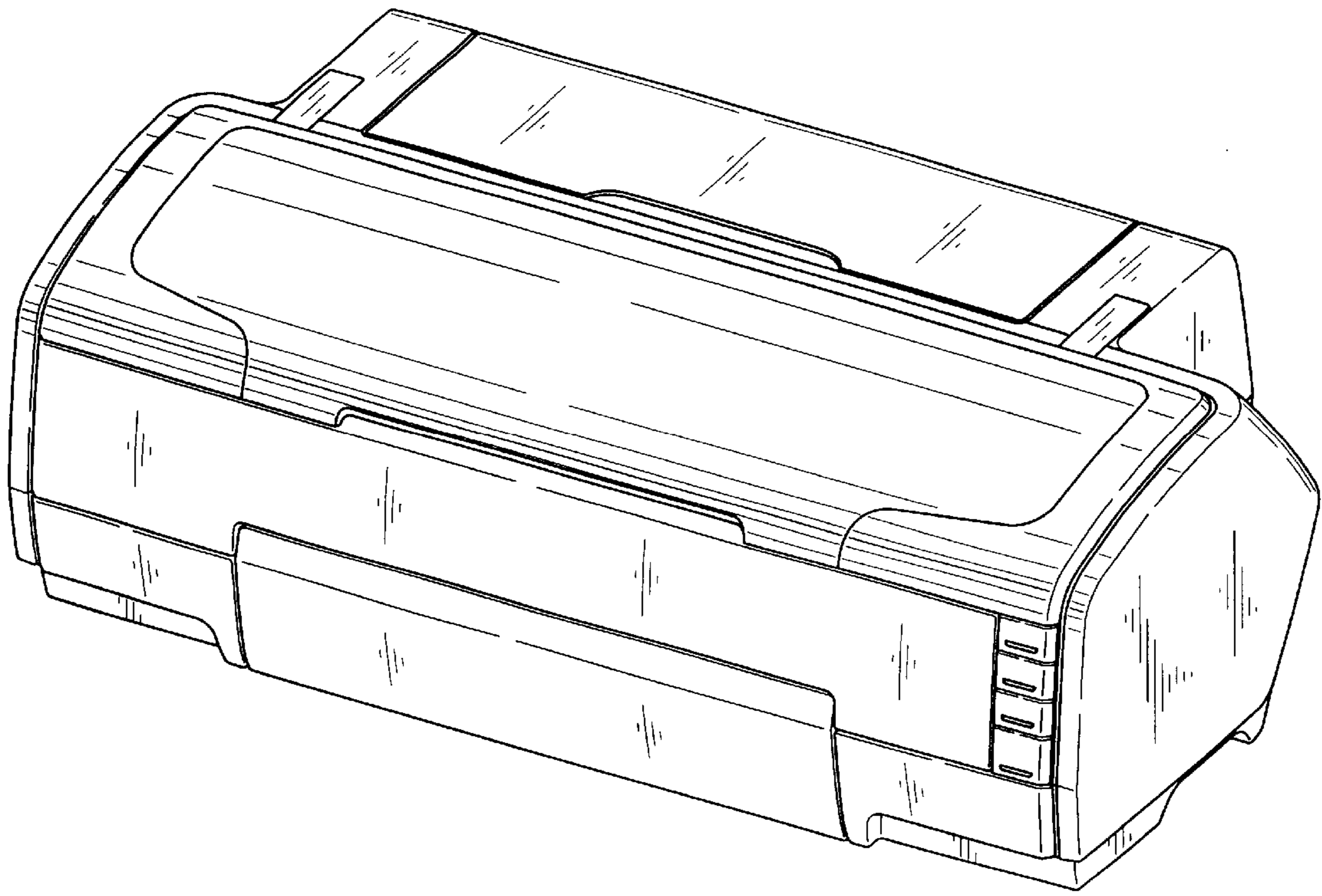


FIG. 9

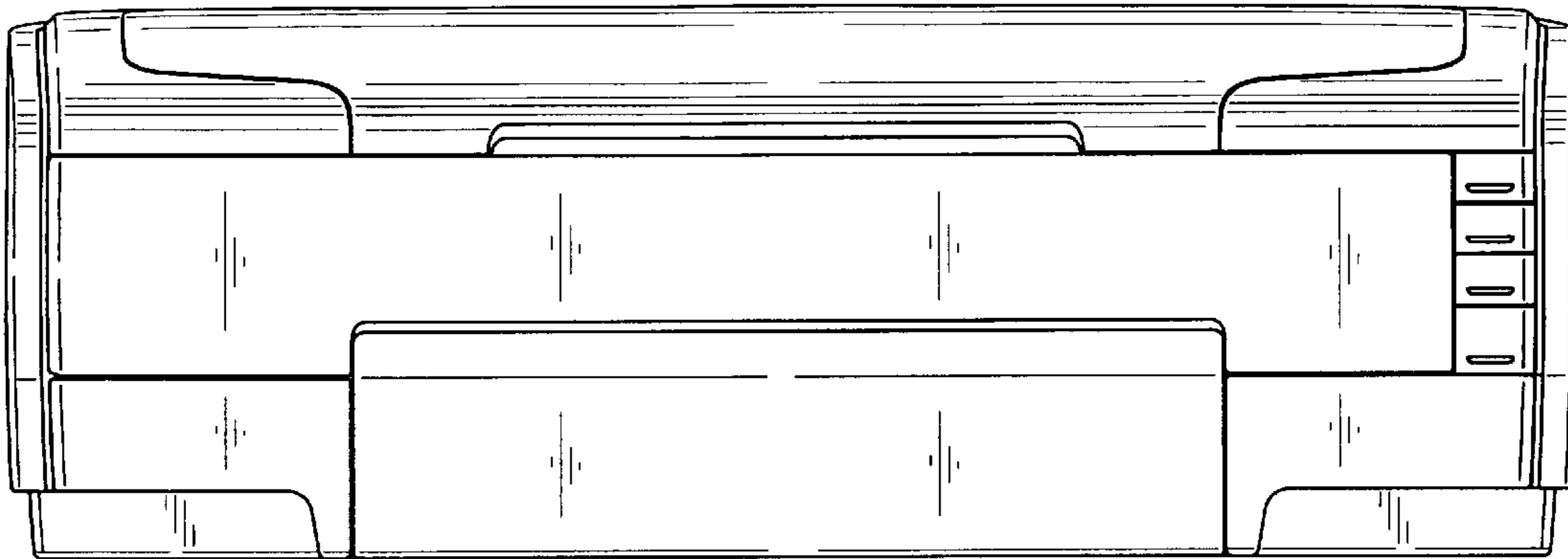


FIG. 10

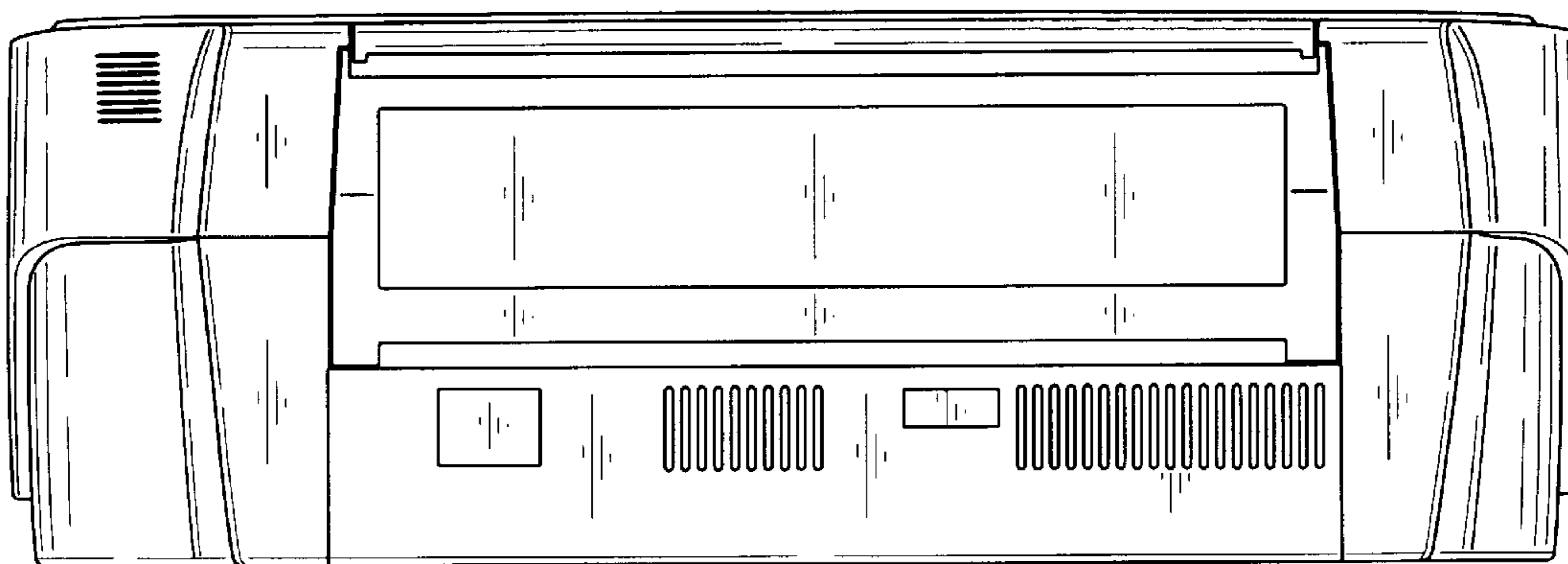


FIG. 11

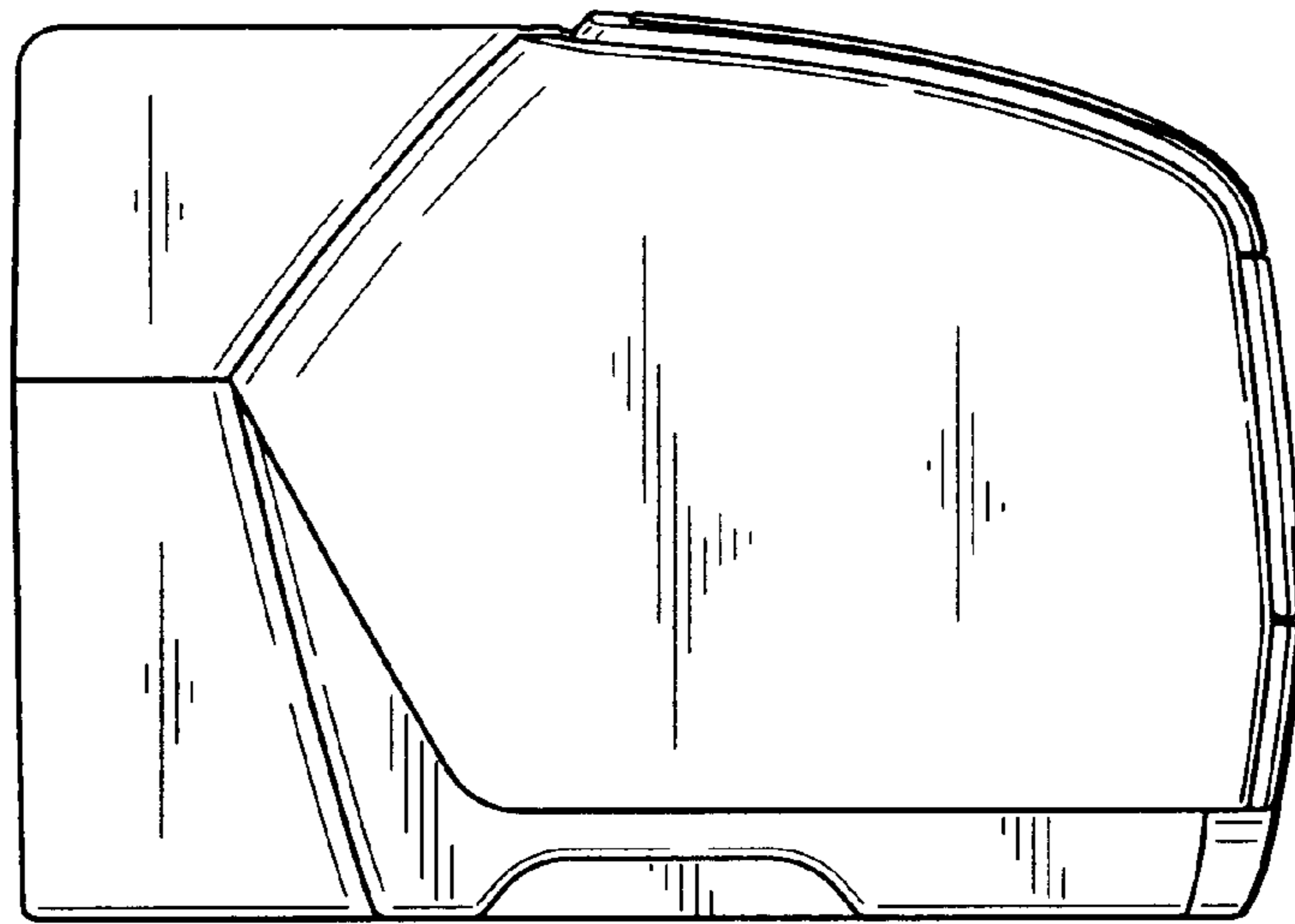


FIG. 12

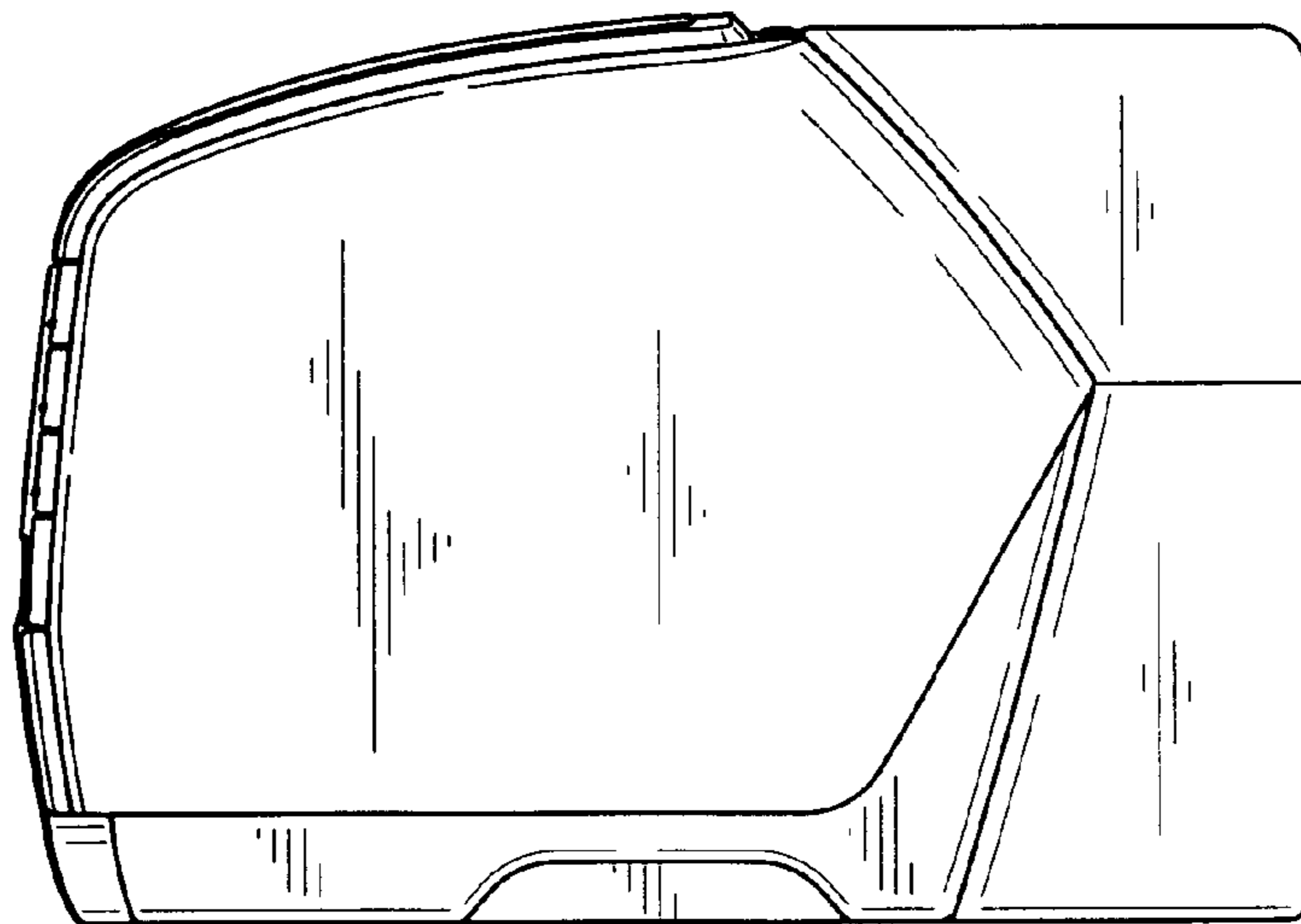


FIG. 13

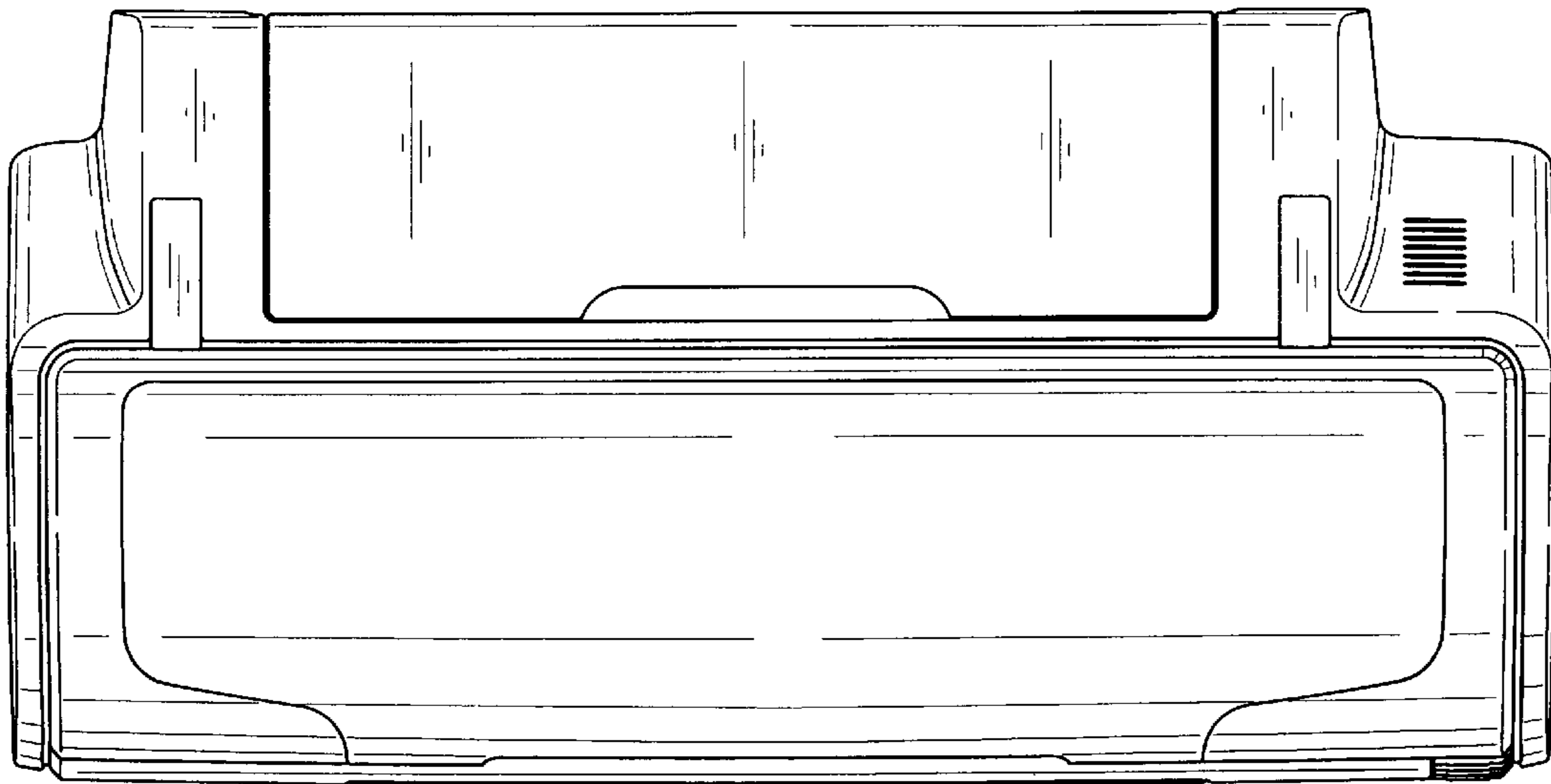


FIG. 14

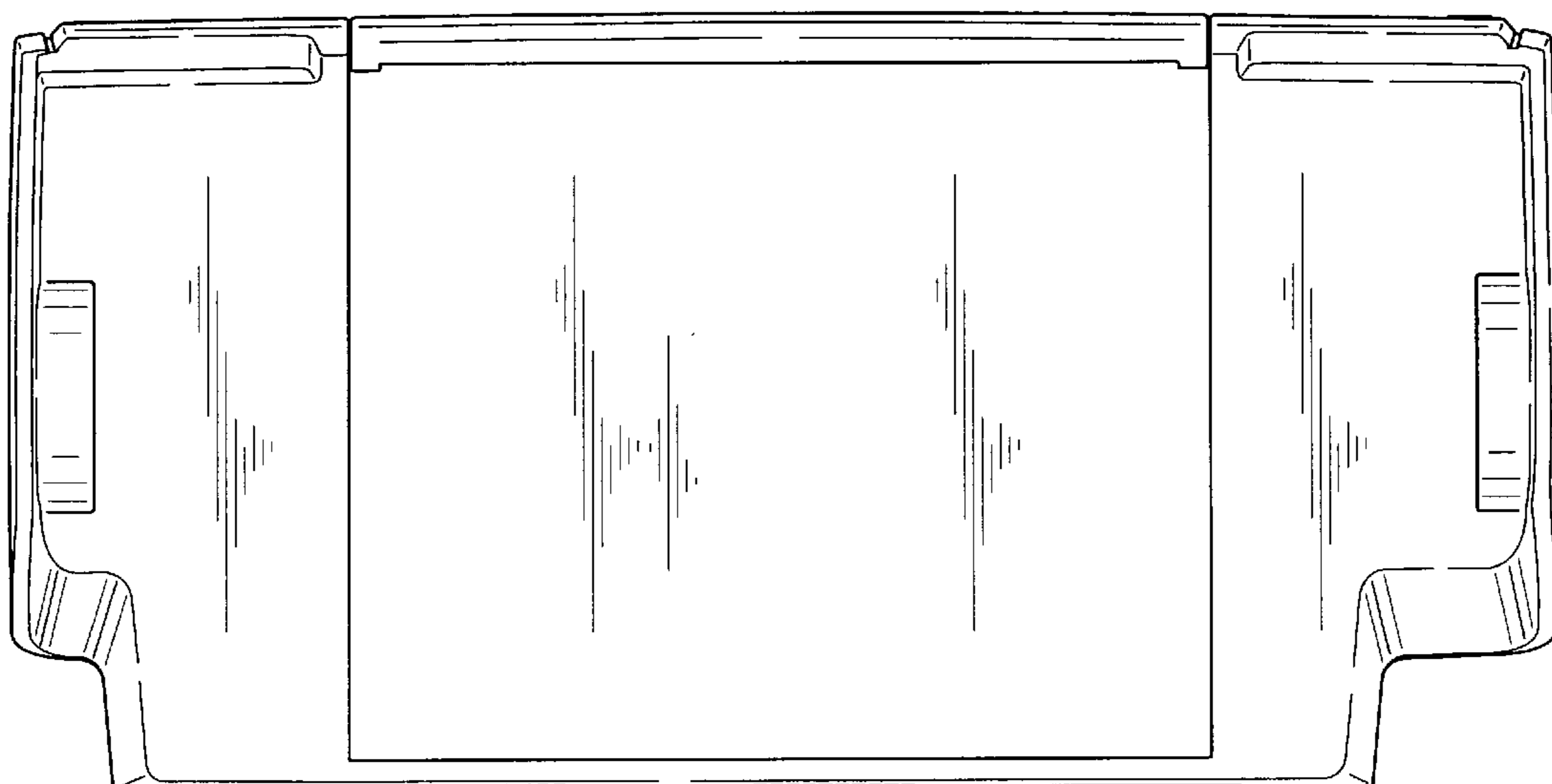


FIG. 15

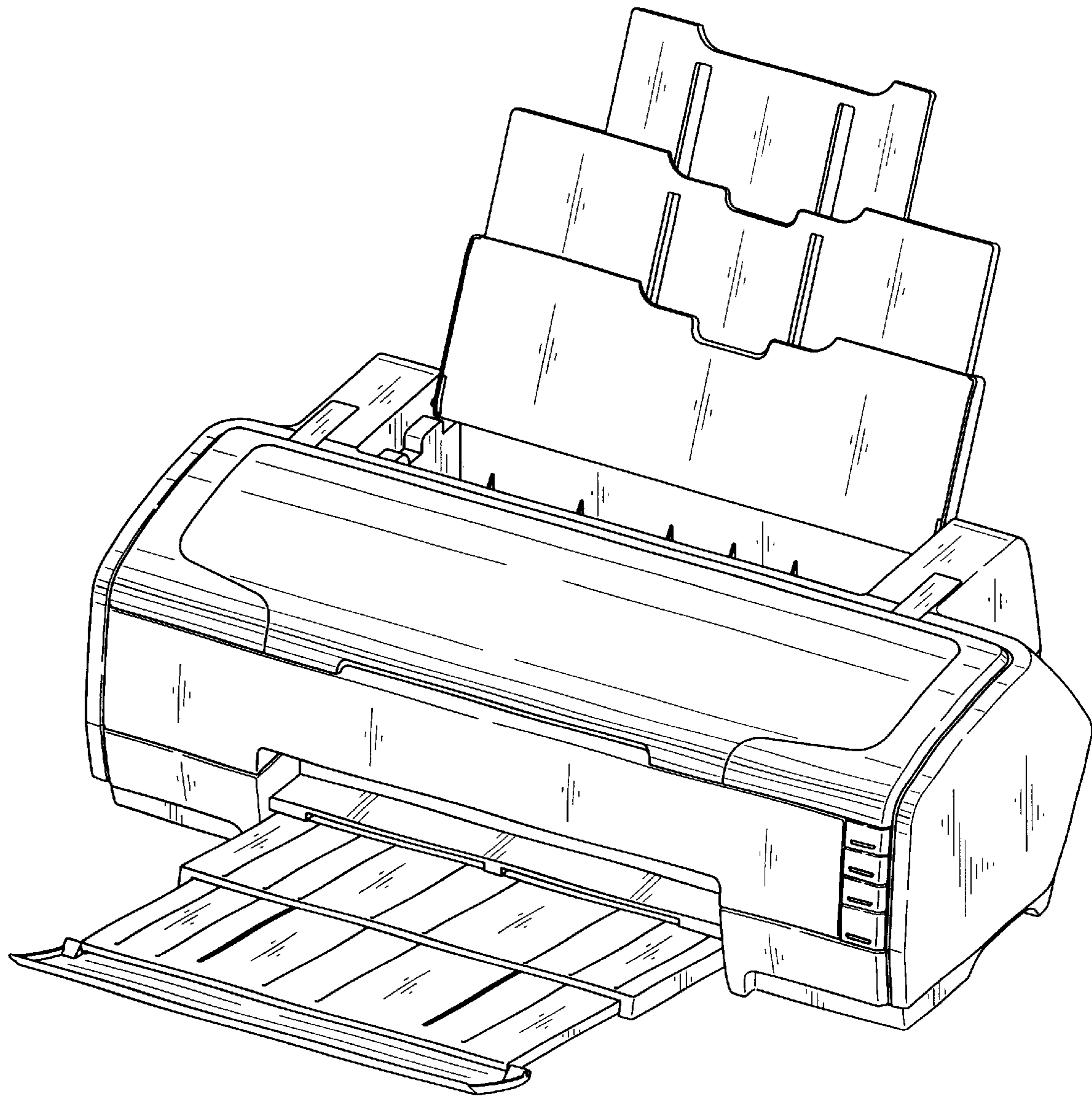


FIG. 16