

US00D525294S

(12) **United States Design Patent**
Katayama et al.

(10) **Patent No.:** **US D525,294 S**

(45) **Date of Patent:** **** Jul. 18, 2006**

(54) **PRINTER**

(75) Inventors: **Shigeharu Katayama**, Kakamigahara (JP); **Toshiya Inada**, Nagoya (JP)

(73) Assignee: **Brother Industries, Ltd.**, Nagoya (JP)

(**) Term: **14 Years**

(21) Appl. No.: **29/204,936**

(22) Filed: **May 7, 2004**

(30) **Foreign Application Priority Data**

Mar. 8, 2004 (JP) 2004-006902

(51) **LOC (8) Cl.** **18-02**

(52) **U.S. Cl.** **D18/54**

(58) **Field of Classification Search** D18/19,
D18/36-41, 50, 53, 54, 54.1, 55; D14/420-425,
D14/462-470; 400/613, 613.1-613.4, 690.1-690.4,
400/691-694

See application file for complete search history.

(56) **References Cited**

U.S. PATENT DOCUMENTS

- D386,519 S * 11/1997 Meschter et al. D18/55
- D402,698 S * 12/1998 Falk et al. D18/55
- D412,341 S * 7/1999 Miyazawa D18/55

- D432,564 S * 10/2000 Miyazawa D18/54
- D450,756 S * 11/2001 Fetherolf et al. D18/55
- D463,819 S * 10/2002 Siekmann D18/56
- D466,924 S * 12/2002 Wong et al. D18/55
- 6,612,763 B1 * 9/2003 Yoshihara 400/692
- D501,503 S * 2/2005 Leong et al. D18/55

* cited by examiner

Primary Examiner—Louis S. Zarfes

Assistant Examiner—Anhdao Doan

(74) *Attorney, Agent, or Firm*—Oliff & Berridge, PLC

(57) **CLAIM**

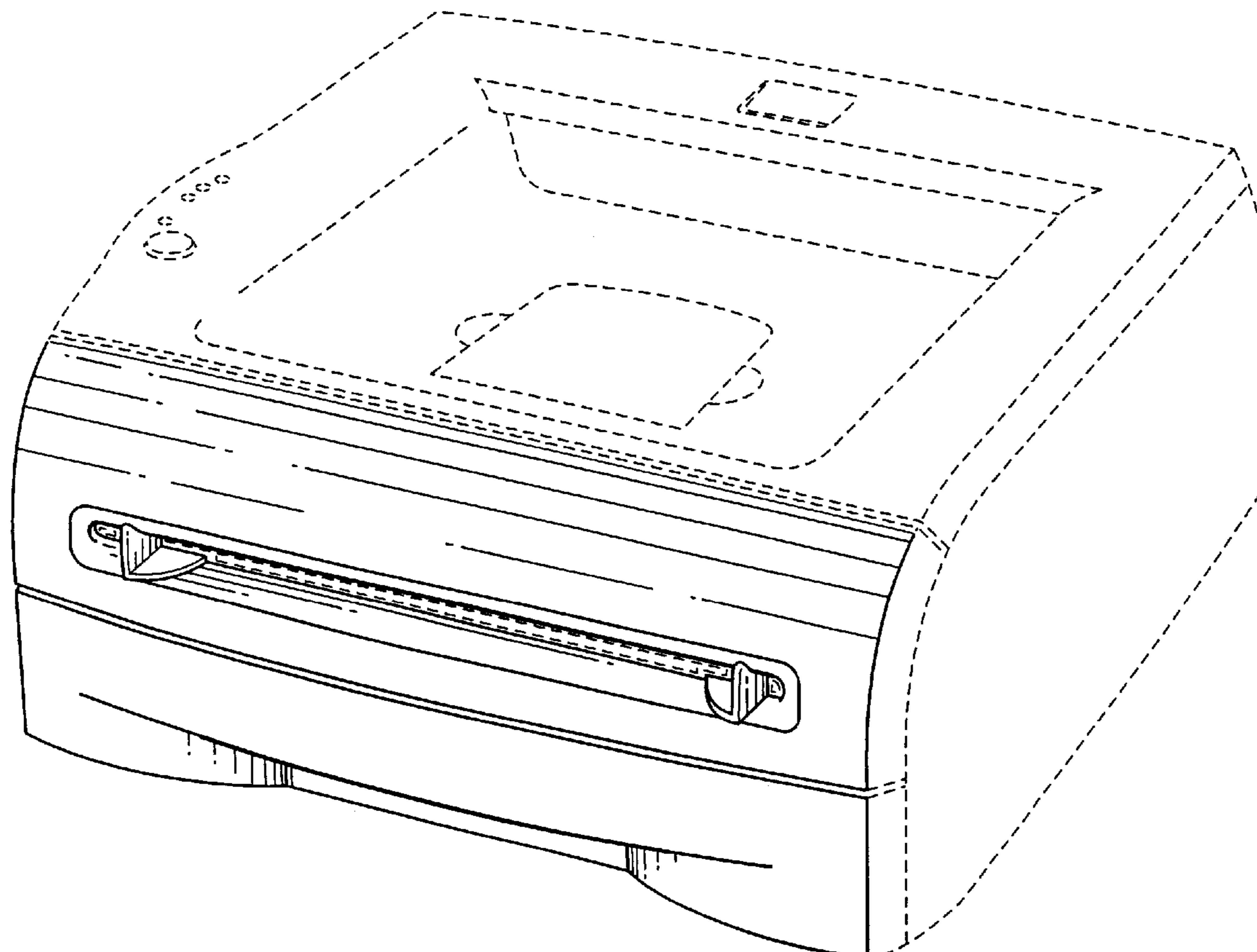
The ornamental design for a printer, as shown and described.

DESCRIPTION

FIG. 1 is a front view of a printer;
FIG. 2 is a top plan view thereof;
FIG. 3 is a right-side view thereof;
FIG. 4 is a left-side view thereof;
FIG. 5 is a bottom view thereof;
FIG. 6 is a perspective view thereof; and,
FIG. 7 is another right-side view of a printer with a paper cassette in an open position.

The broken line showing is for illustrative purposes only and does not form part of the claimed design.

1 Claim, 6 Drawing Sheets



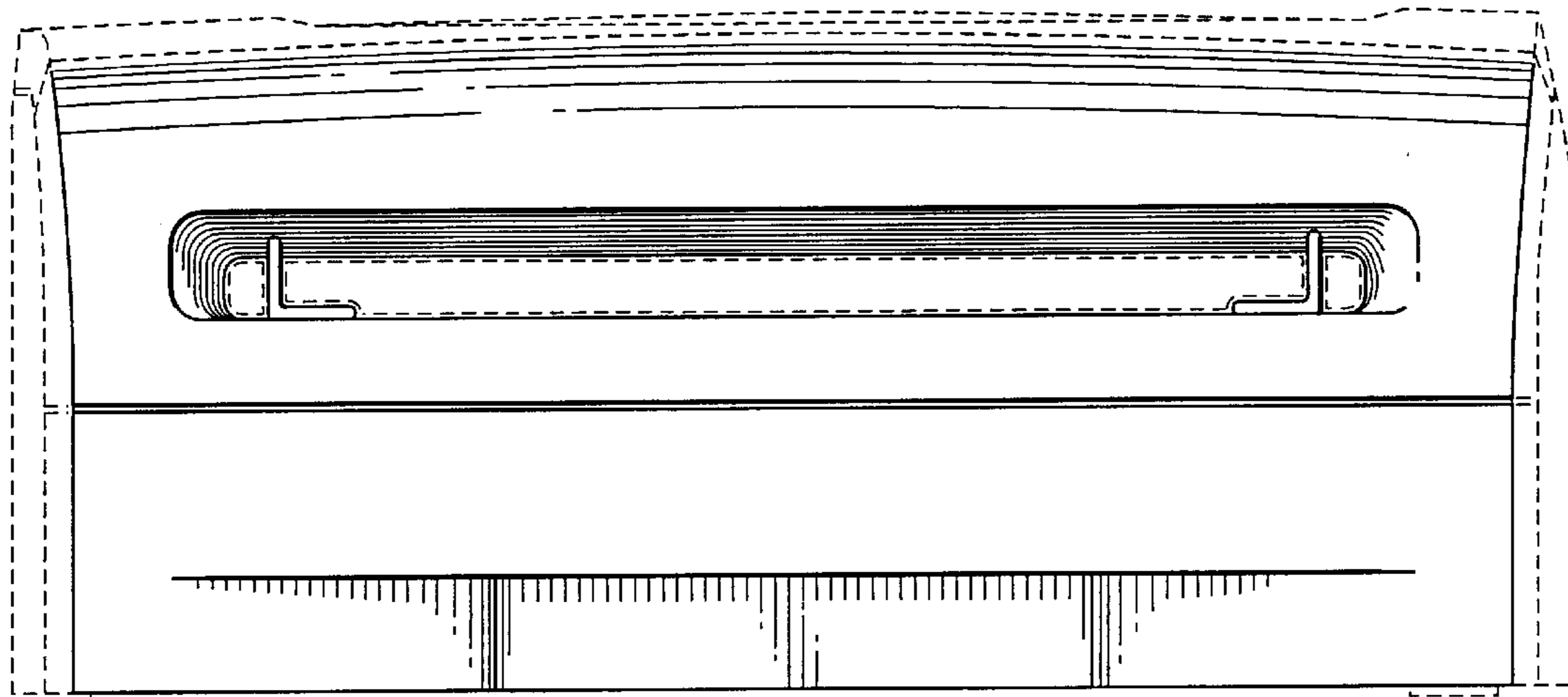


FIG. 1

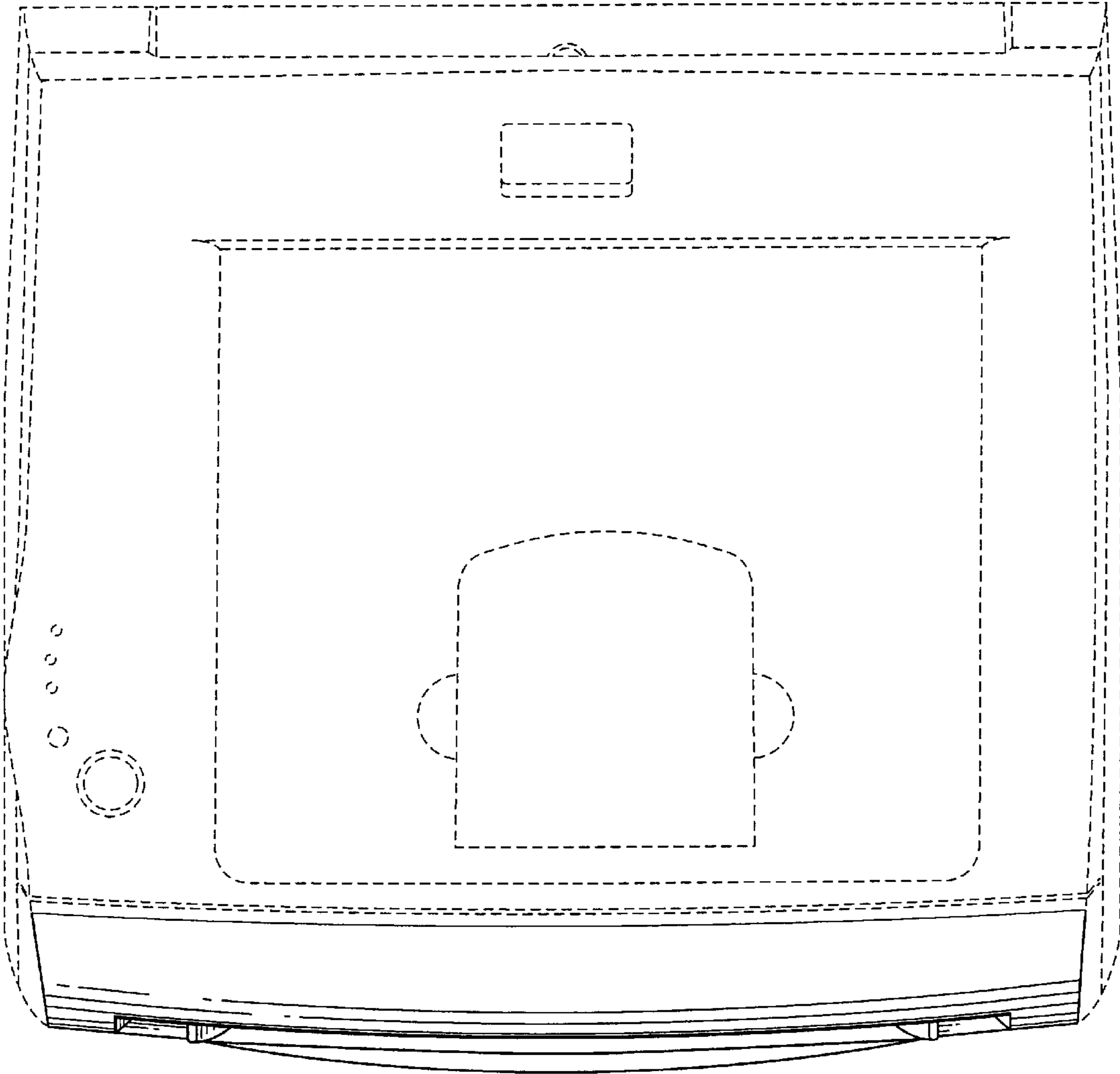


FIG. 2

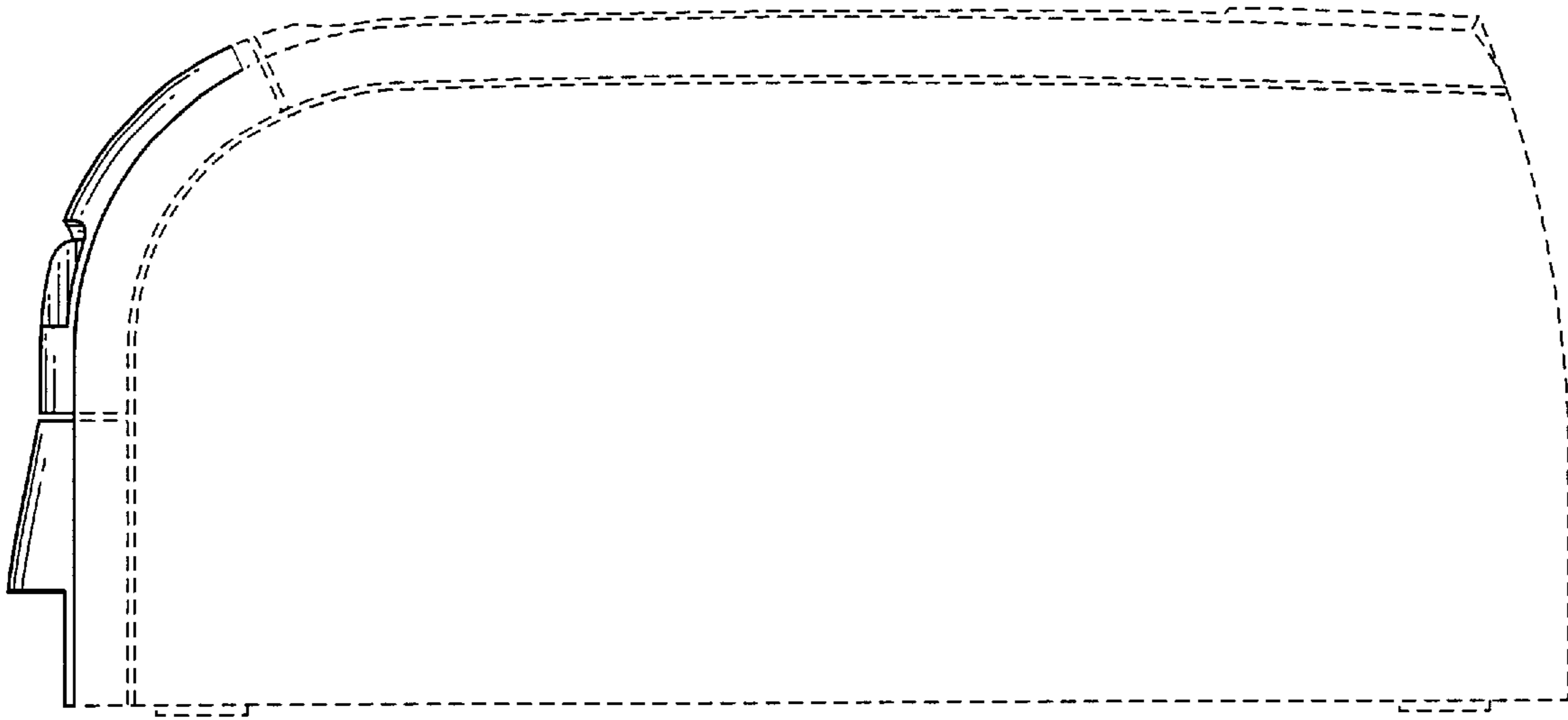


FIG. 3

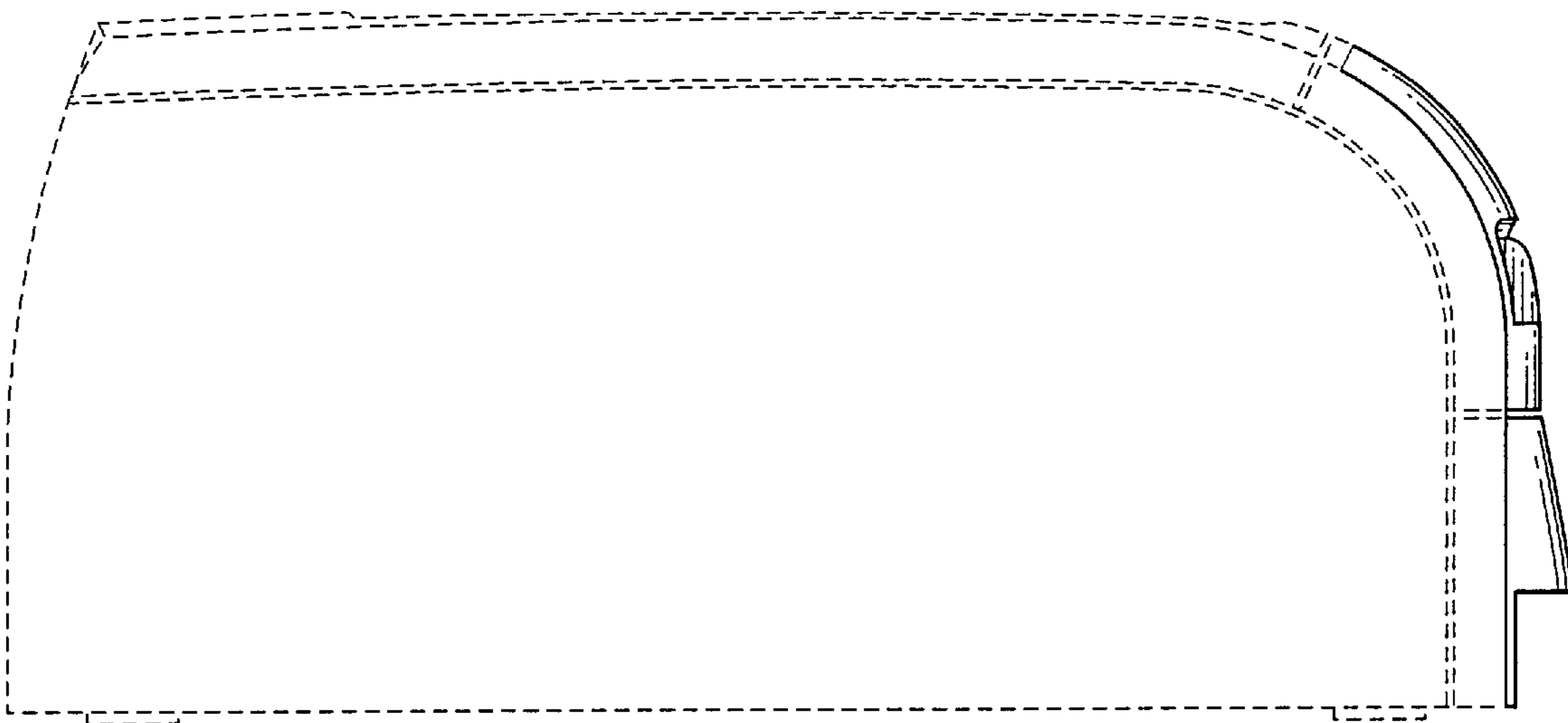


FIG. 4

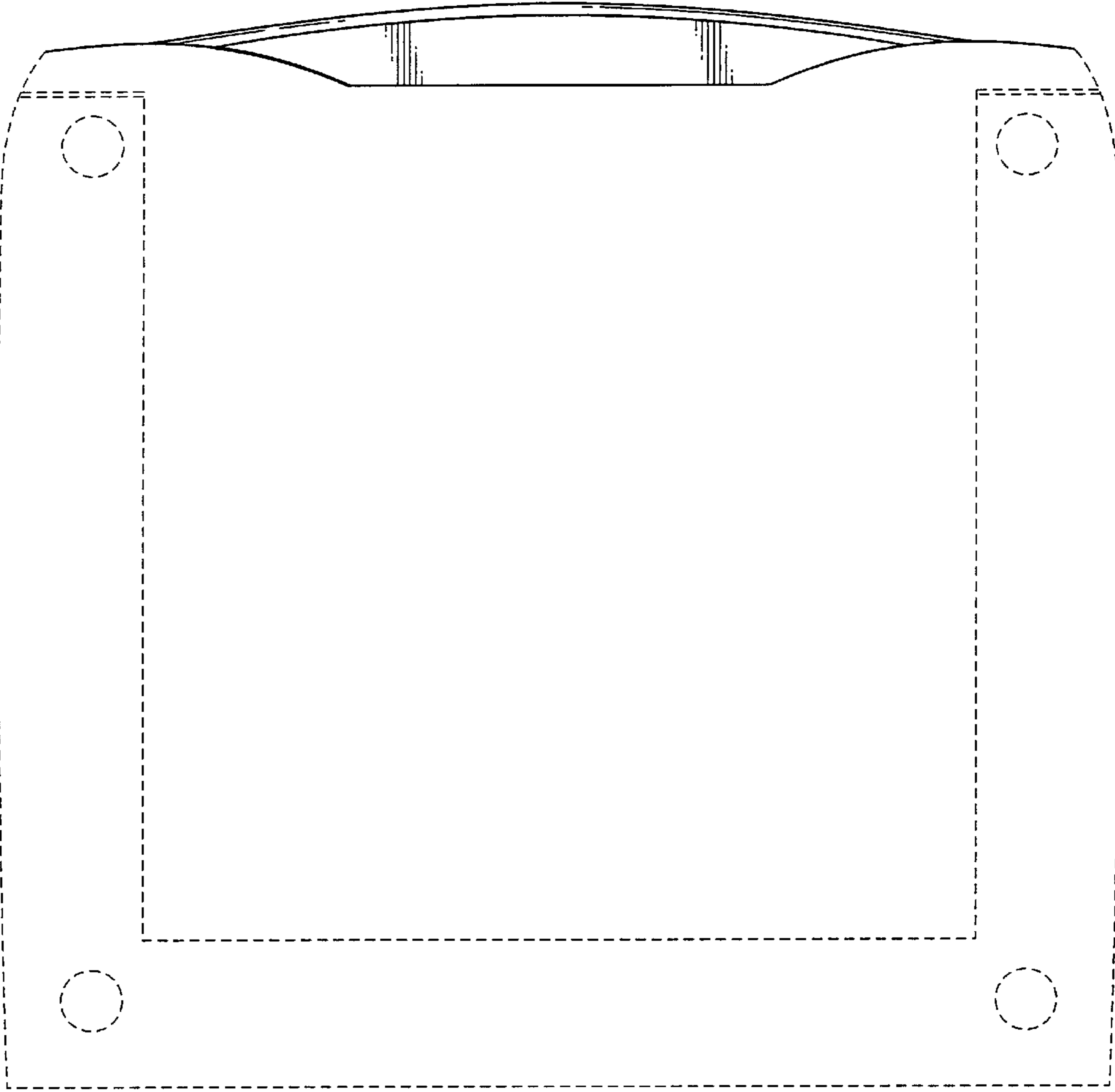


FIG. 5

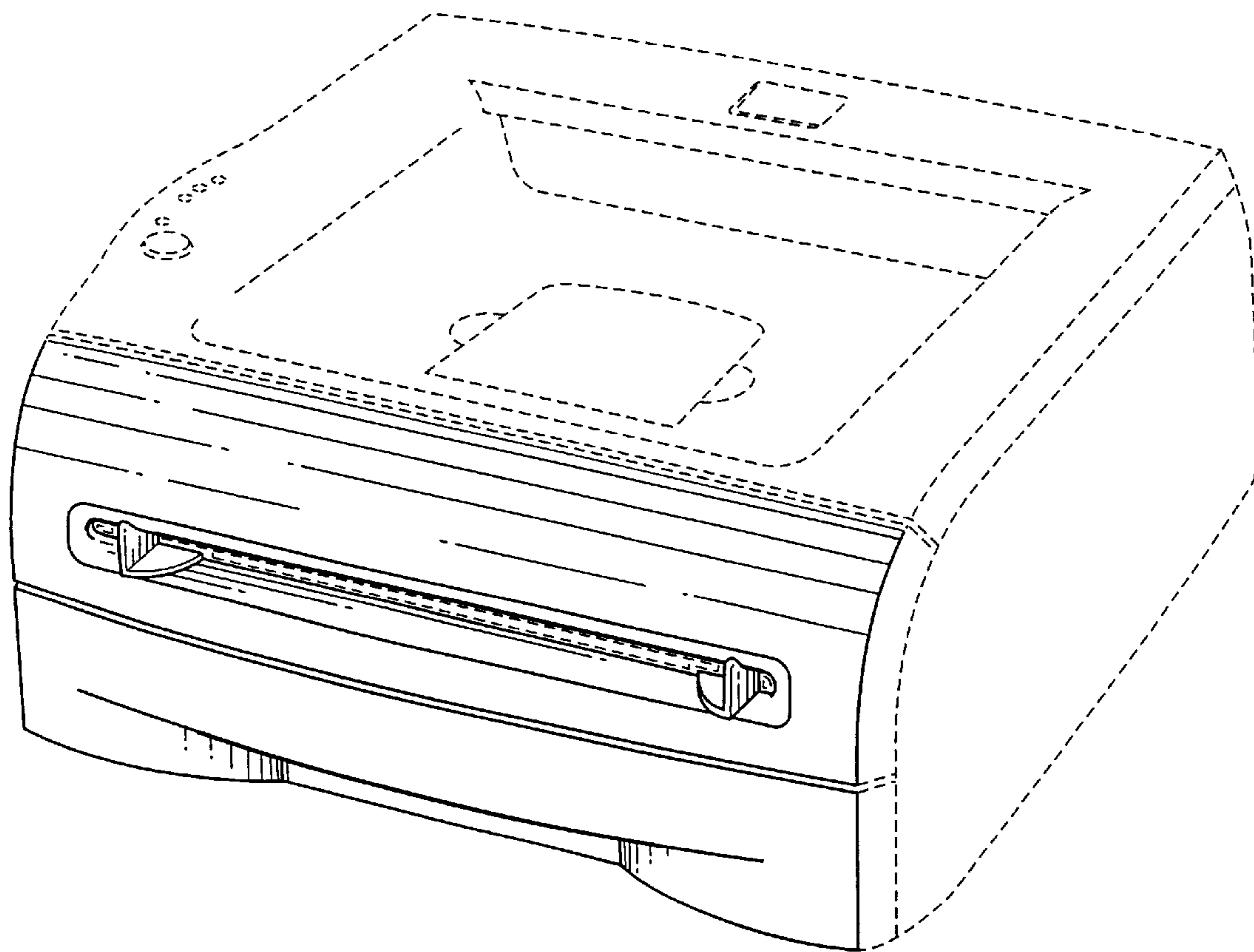


FIG. 6

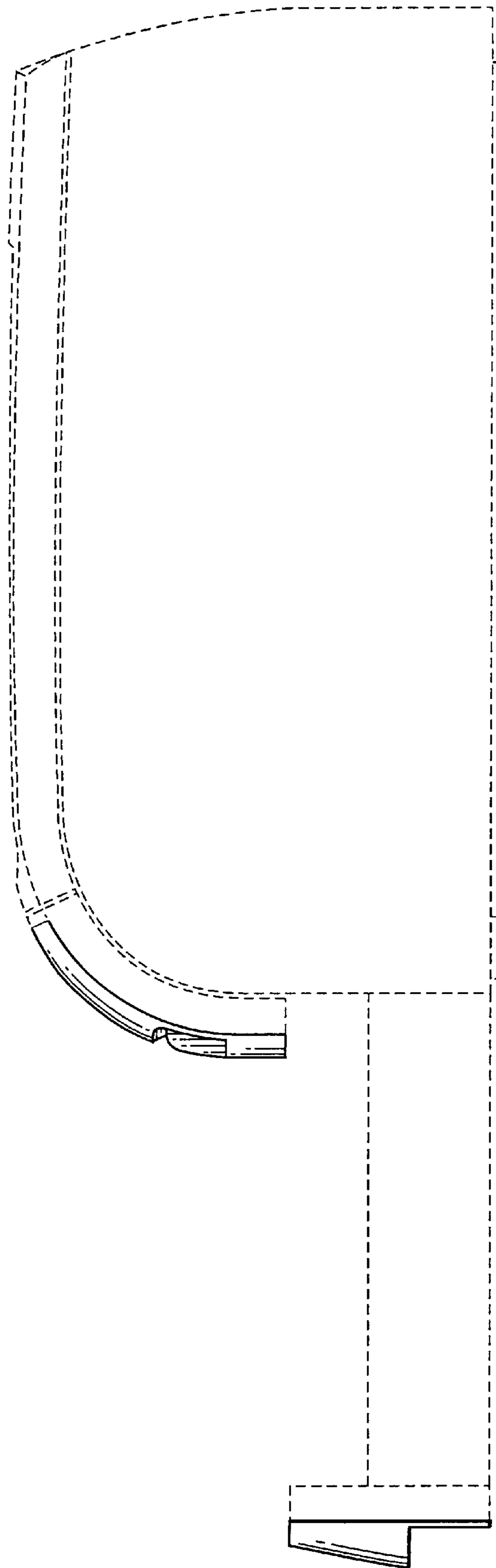


FIG. 7