

US00D525290S

(12) **United States Design Patent**
Yarrington

(10) **Patent No.:** **US D525,290 S**

(45) **Date of Patent:** **** Jul. 18, 2006**

(54) **DOCUMENT FEED TRAY**

(75) Inventor: **James C. Yarrington**, Grand Prairie,
TX (US)

(73) Assignee: **BancTec, Inc.**, Irving, TX (US)

(**) Term: **14 Years**

(21) Appl. No.: **29/211,439**

(22) Filed: **Aug. 17, 2004**

(51) **LOC (8) Cl.** **18-99**

(52) **U.S. Cl.** **D18/49**

(58) **Field of Classification Search** D18/36-41,
D18/43-49, 56; 222/DIG. 1; 271/3.14, 8.1,
271/145, 147, 160, 165, 226, 278; 355/97,
355/99, 133; 399/1-7, 35, 75, 81, 82, 99,
399/107, 120, 130, 257, 264, 327, 361, 365,
399/367, 381-383, 388, 393, 405, 411; D6/475,
D6/553, 567, 569, 570, 573

See application file for complete search history.

(56) **References Cited**

U.S. PATENT DOCUMENTS

D236,030 S	*	7/1975	Stemmler	D18/44
D265,561 S	*	7/1982	Cottrell	D18/56
D269,528 S	*	6/1983	Sokolowski	D18/49
D293,182 S	*	12/1987	Carter	D6/573

D300,147 S	*	3/1989	Meyer et al.	D18/49
D315,910 S	*	4/1991	Ward	D14/250
5,016,760 A	*	5/1991	Mayo	D6/570
5,366,213 A	*	11/1994	Polachak et al.	271/3.14
D353,830 S	*	12/1994	Peck	D18/40
D391,990 S	*	3/1998	Wolff	D6/567
D400,219 S	*	10/1998	Mercier	D18/40
D494,185 S	*	8/2004	Rowell	D18/40
D512,740 S	*	12/2005	Nakamura et al.	D18/44

* cited by examiner

Primary Examiner—Caron Veynar

Assistant Examiner—Garth Rademaker

(74) *Attorney, Agent, or Firm*—Locke Liddell & Sapp

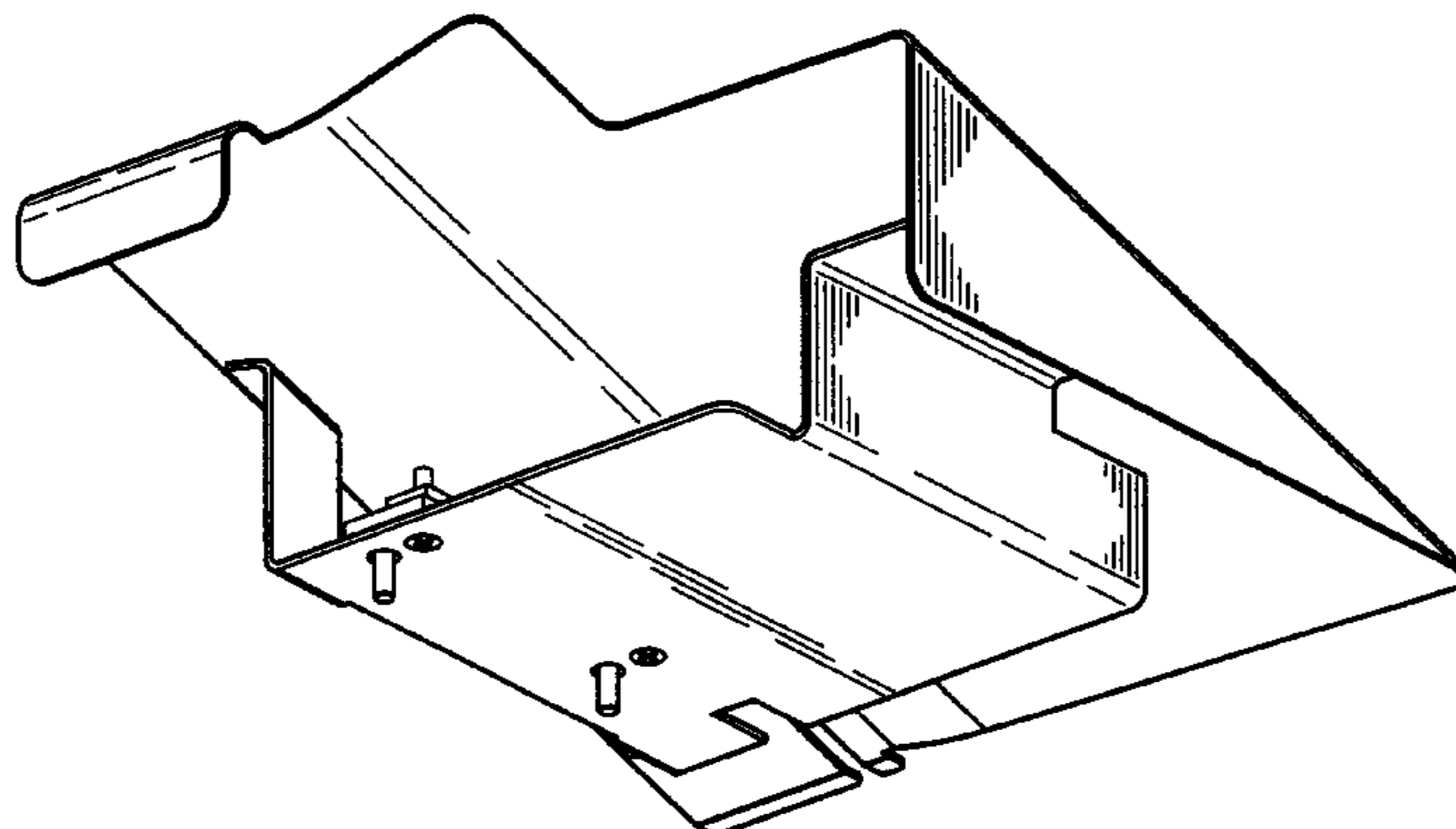
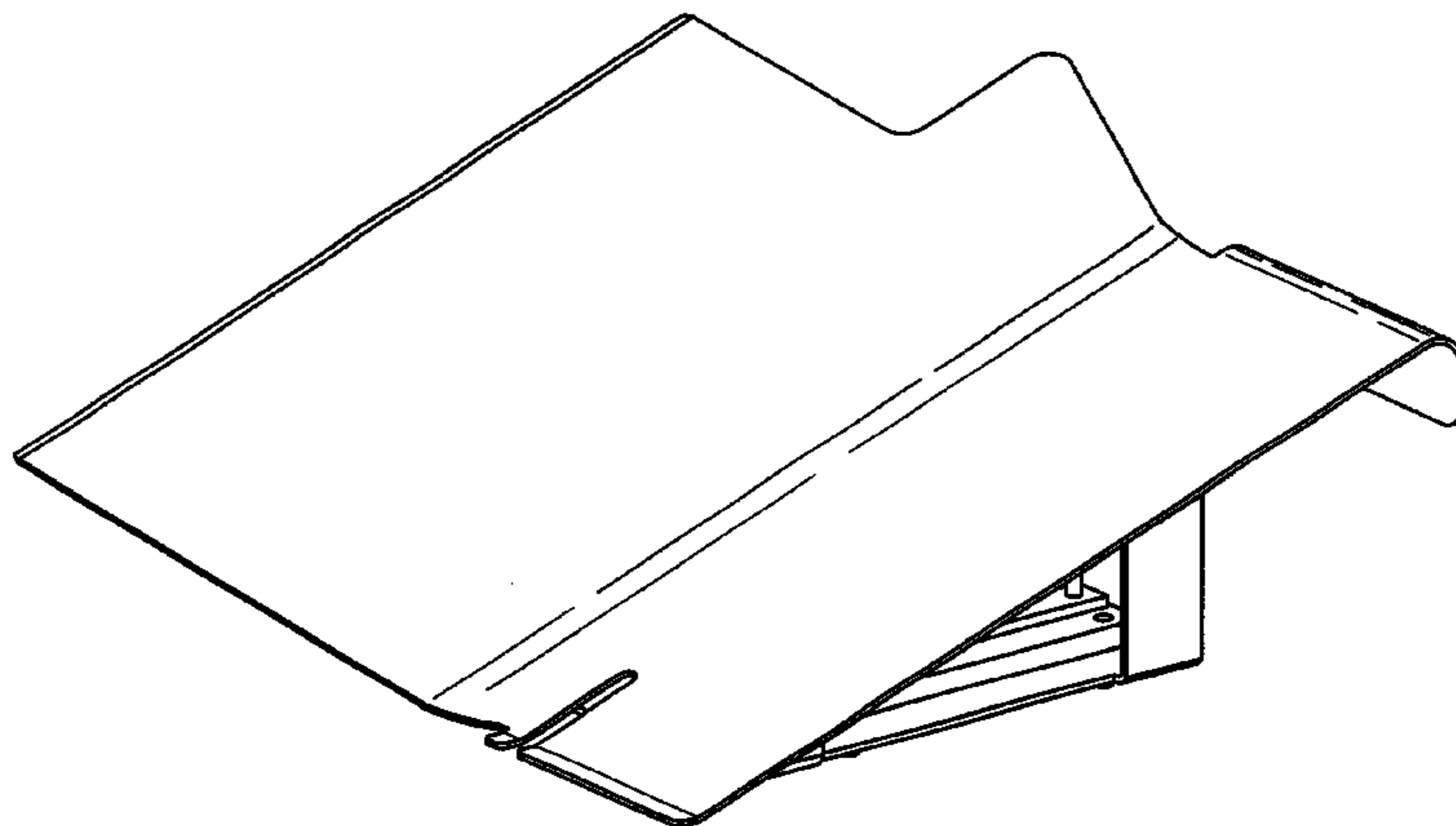
(57) **CLAIM**

The ornamental design for a document feed tray, as shown.

DESCRIPTION

FIG. 1 is a top perspective view of my document feed tray;
FIG. 2 is a bottom perspective view thereof;
FIG. 3 is a right side elevational view thereof;
FIG. 4 is a left side elevational view thereof;
FIG. 5 is a front elevational view thereof;
FIG. 6 is a rear elevational view thereof;
FIG. 7 is a top plan view thereof; and,
FIG. 8 is a bottom plan view thereof.

1 Claim, 3 Drawing Sheets



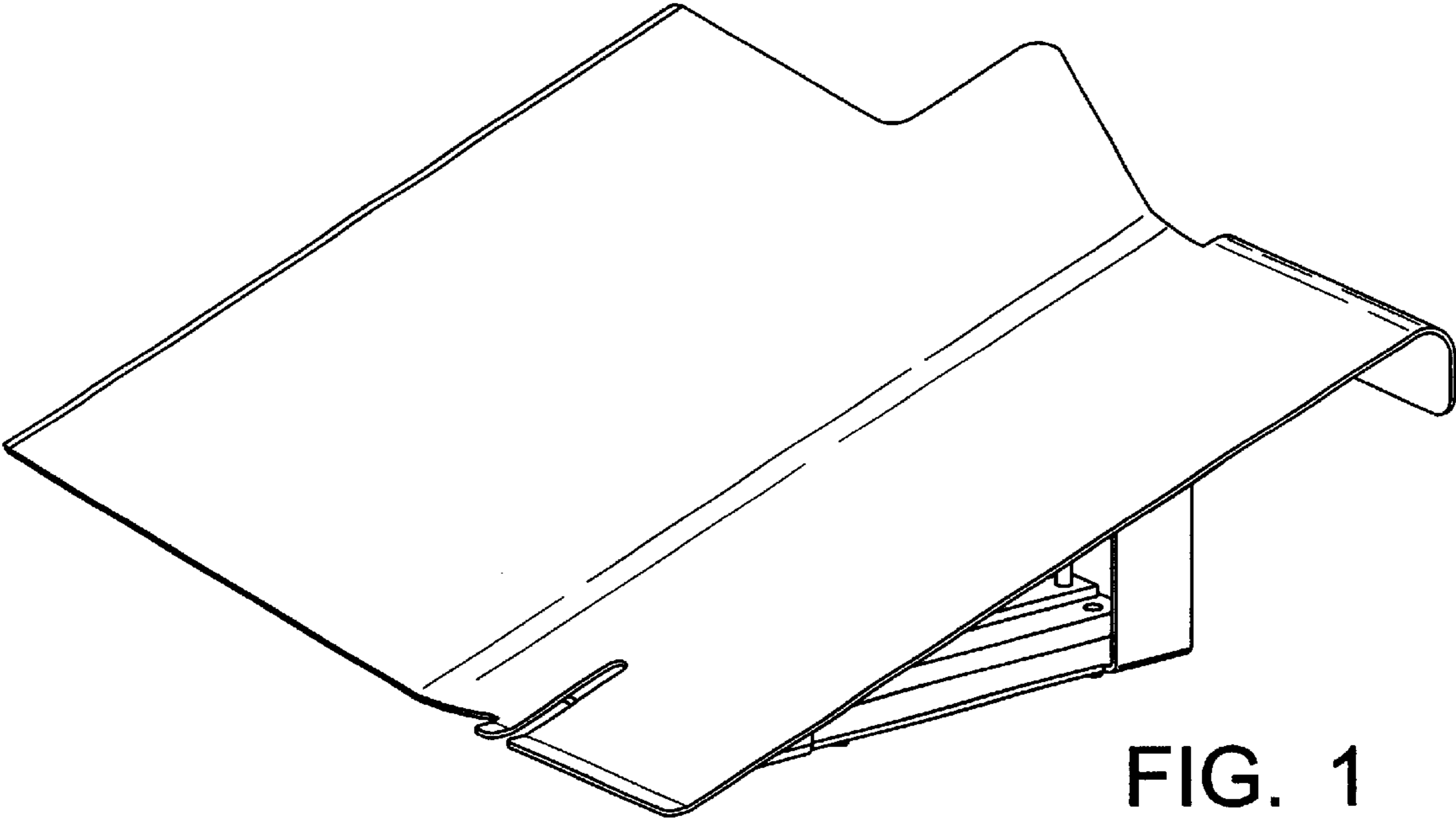


FIG. 1

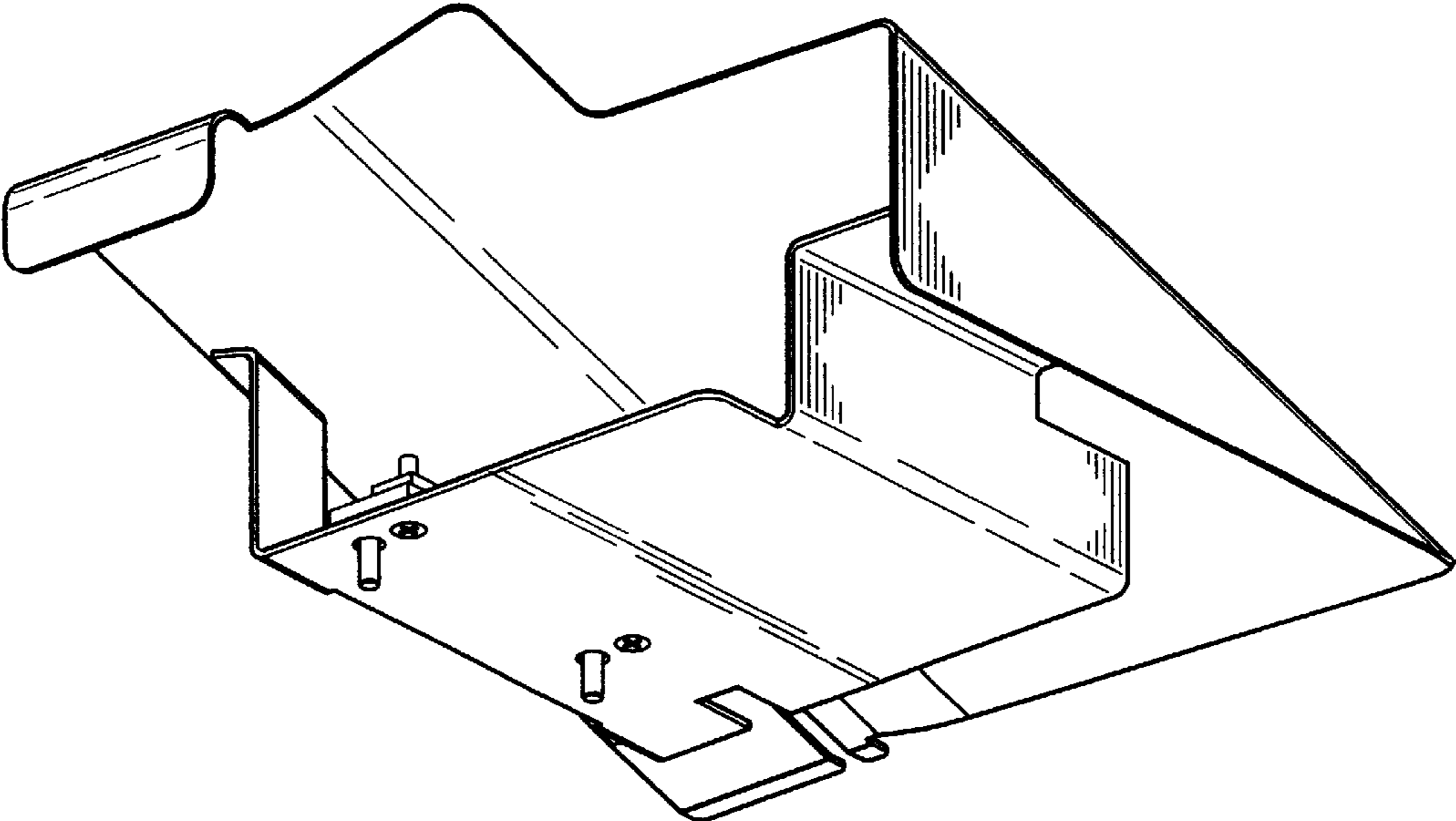


FIG. 2

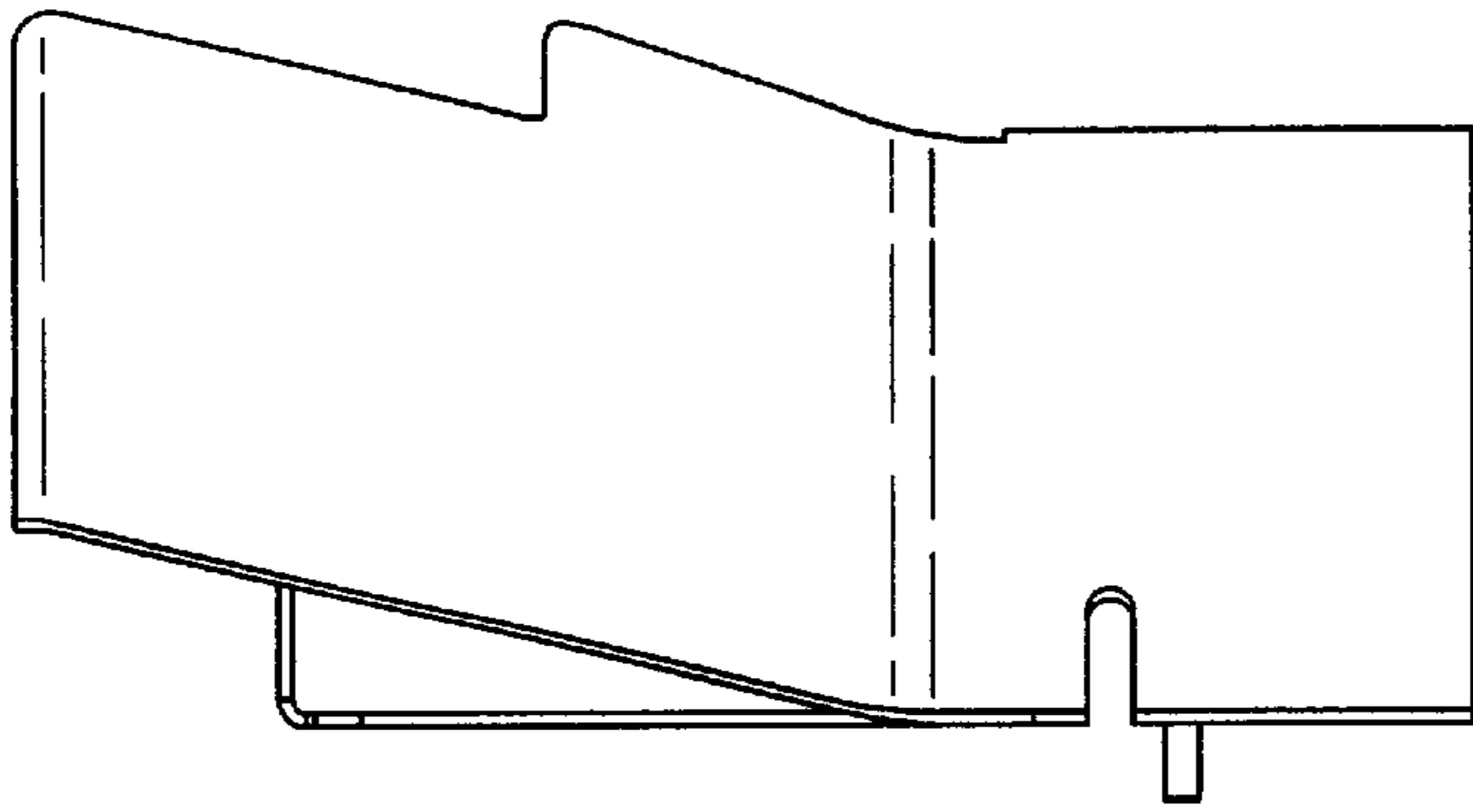


FIG. 3

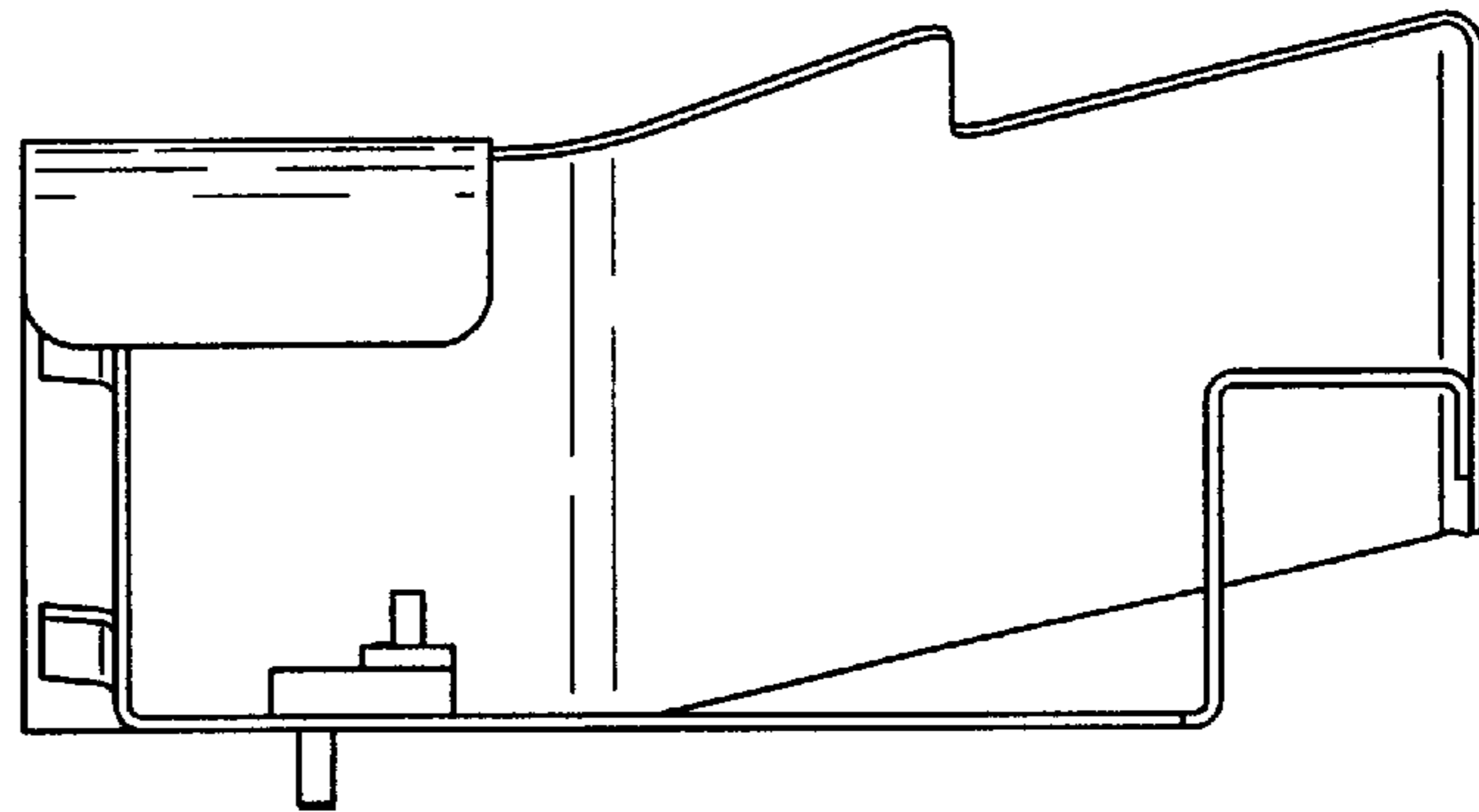


FIG. 4

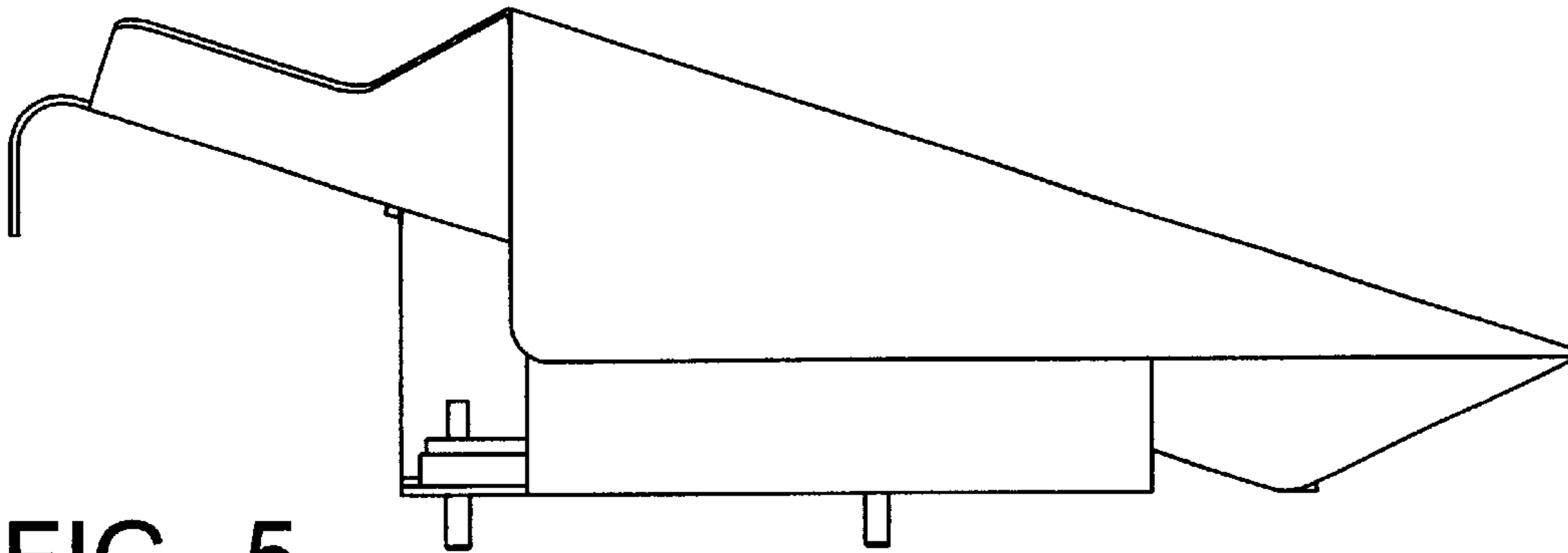


FIG. 5

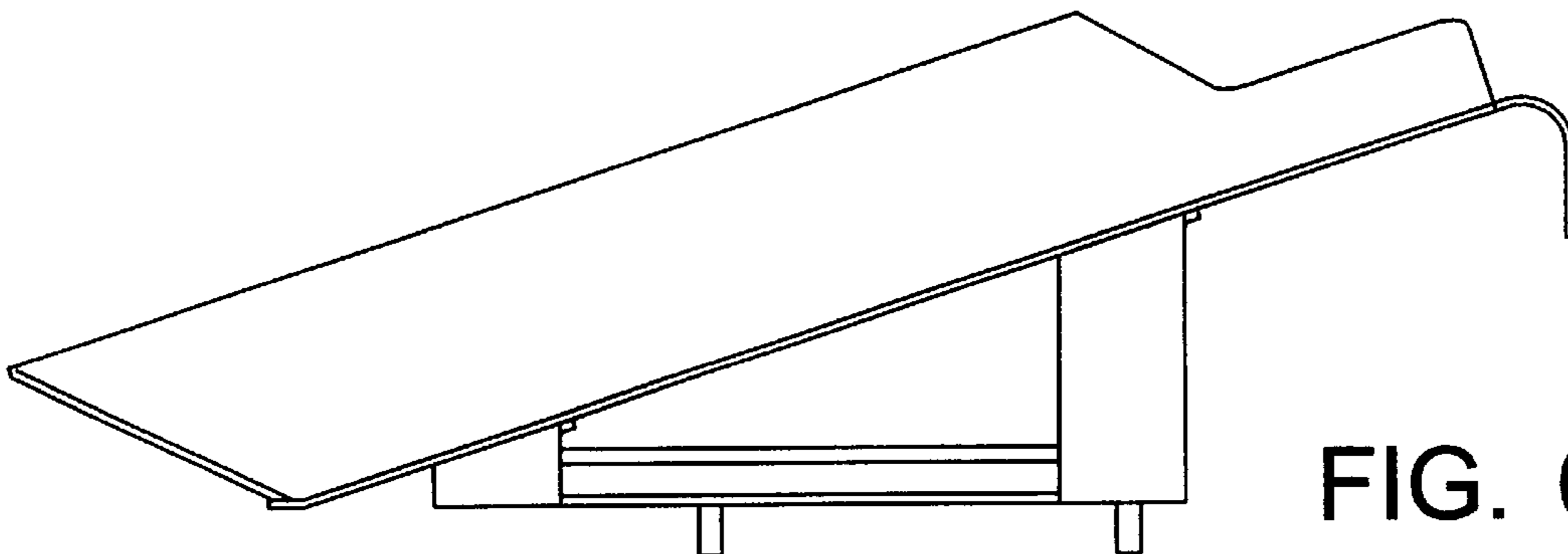


FIG. 6

