



US00D525289S

(12) **United States Design Patent**  
**Murata**

(10) **Patent No.:** **US D525,289 S**

(45) **Date of Patent:** **\*\* Jul. 18, 2006**

(54) **TONER CARTRIDGE**

(75) Inventor: **Koji Murata**, Osaka (JP)

(73) Assignee: **Kyocera Mita Corporation**, Osaka (JP)

(\*\*) Term: **14 Years**

(21) Appl. No.: **29/220,618**

(22) Filed: **Jan. 5, 2005**

(30) **Foreign Application Priority Data**

Jul. 7, 2004 (JP) ..... 2004-020534

(51) **LOC (8) Cl.** ..... **16-03**

(52) **U.S. Cl.** ..... **D18/43**

(58) **Field of Classification Search** ..... D18/12,  
D18/36, 40, 43, 44, 56; D14/462, 469, 470,  
D14/471; 222/DIG. 1; 347/197, 222; 399/24-28,  
399/107-112, 119, 121, 122, 222-224; 400/207,  
400/208

See application file for complete search history.

(56) **References Cited**

**U.S. PATENT DOCUMENTS**

- D401,618 S \* 11/1998 Ikehata ..... D18/43
- D422,303 S \* 4/2000 Takeuchi et al. .... D18/43
- D442,624 S \* 5/2001 Maeshima ..... D18/43
- 6,259,874 B1 \* 7/2001 Murakami et al. .... 399/119
- D447,168 S \* 8/2001 Nishimura ..... D18/43
- D450,080 S \* 11/2001 Ashikari ..... D18/40
- D451,538 S \* 12/2001 Schwamkrug et al. .... D18/40
- D471,582 S \* 3/2003 Mori ..... D18/40
- 6,788,912 B1 \* 9/2004 Isomura et al. .... 222/DIG. 1

D502,730 S \* 3/2005 Miyagawa ..... D18/40

\* cited by examiner

*Primary Examiner*—Cathron C. Brooks

*Assistant Examiner*—Garth Rademaker

(74) *Attorney, Agent, or Firm*—Global IP Counselors, LLP

(57) **CLAIM**

The ornamental design for a toner cartridge, as shown and described.

**DESCRIPTION**

FIG. 1 is a top front side perspective view of a toner cartridge in accordance with my new design;

FIG. 2 is a top rear side perspective view of the toner cartridge in accordance with my new design;

FIG. 3 is a top plan view of the toner cartridge in accordance with my new design;

FIG. 4 is a front elevational view of the toner cartridge in accordance with my new design;

FIG. 5 is a left side end elevational view of the toner cartridge in accordance with my new design;

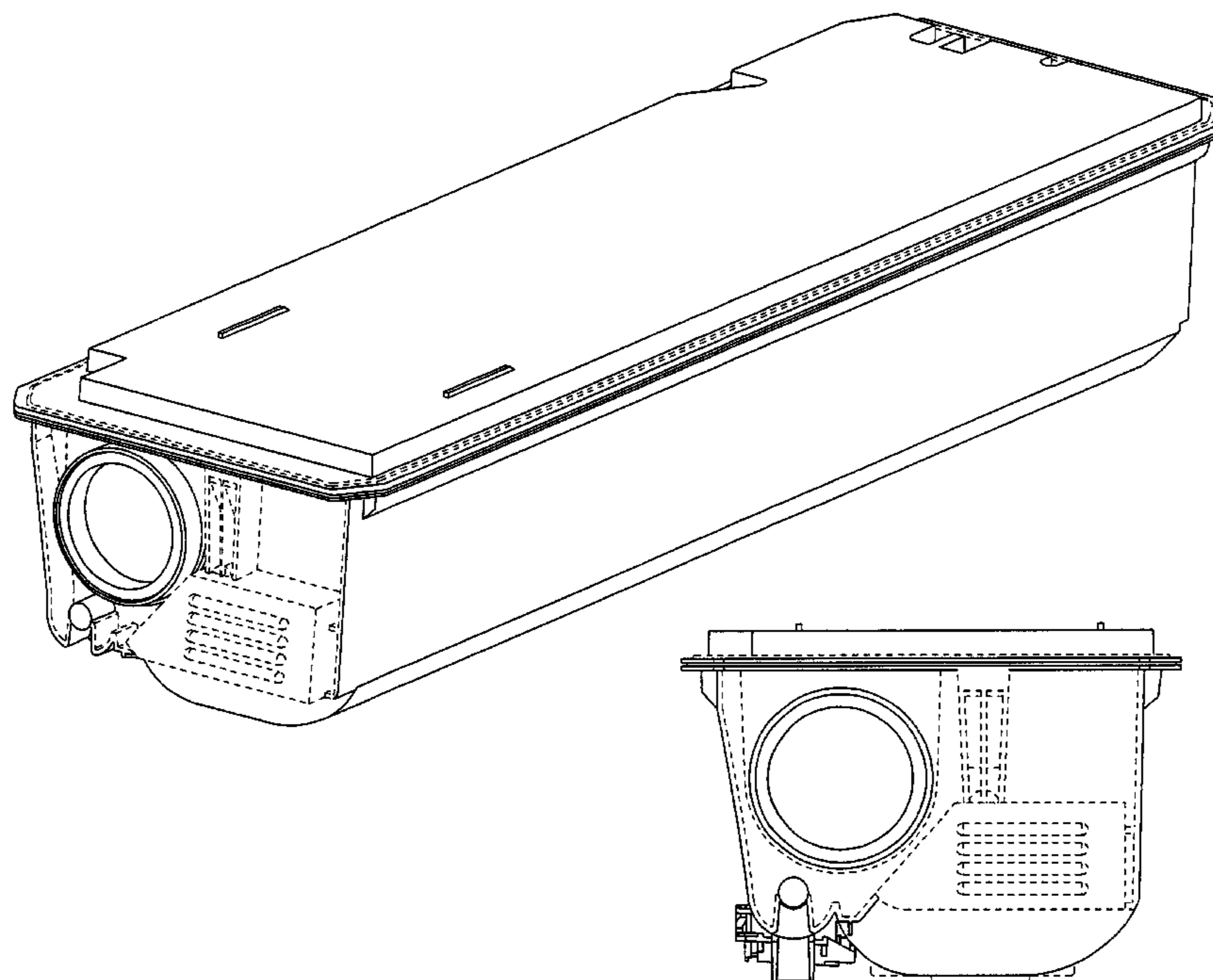
FIG. 6 is a right side end elevational view of the toner cartridge in accordance with my new design;

FIG. 7 is a rear side elevational view of the toner cartridge in accordance with my new design; and,

FIG. 8 is a bottom plan view of the toner cartridge in accordance with my new design.

The broken line showing of environment (the remaining structure of the toner cartridge) in the Figures is for illustrative purposes only and forms no part of the claimed design.

**1 Claim, 5 Drawing Sheets**



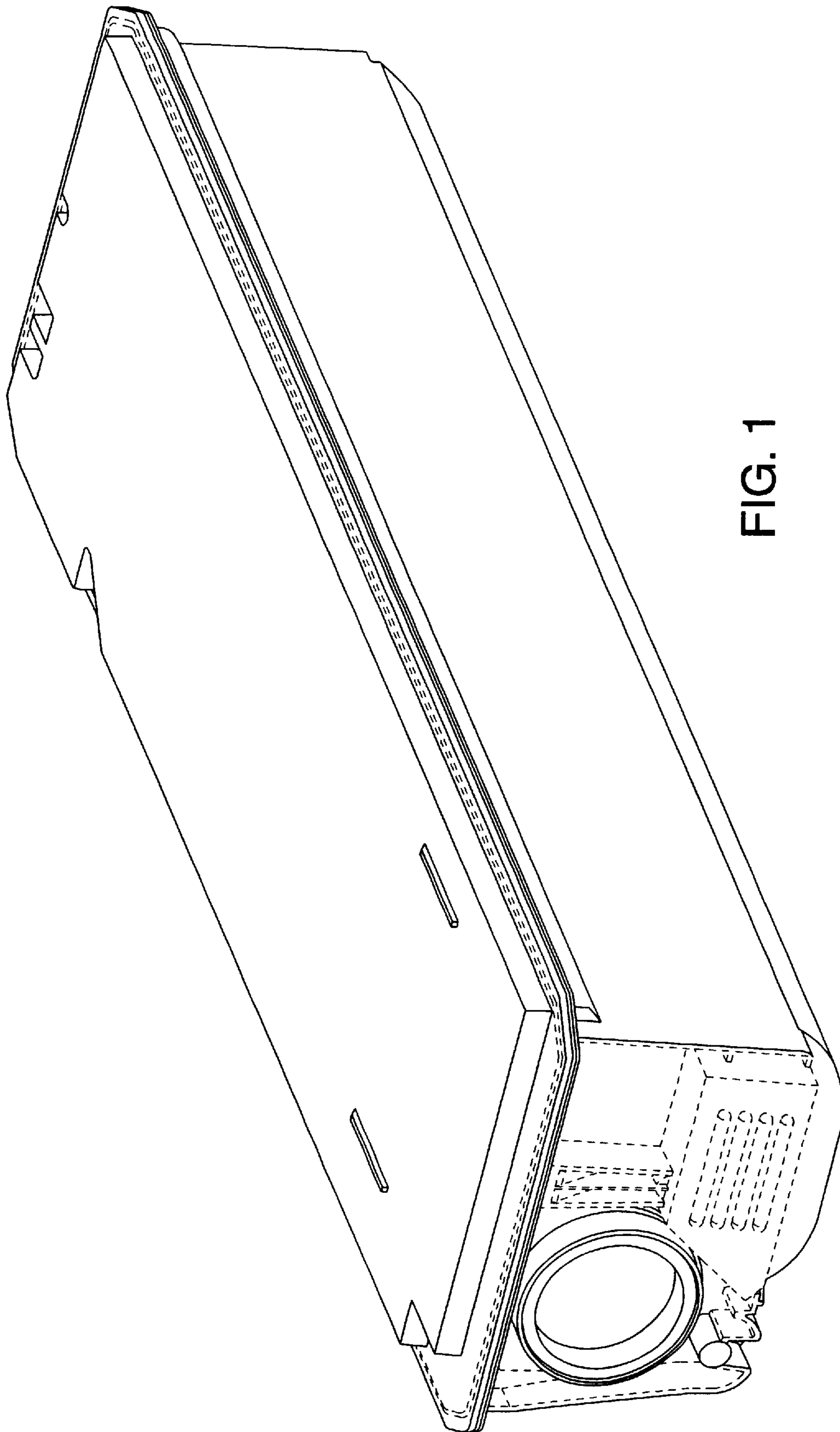


FIG. 1

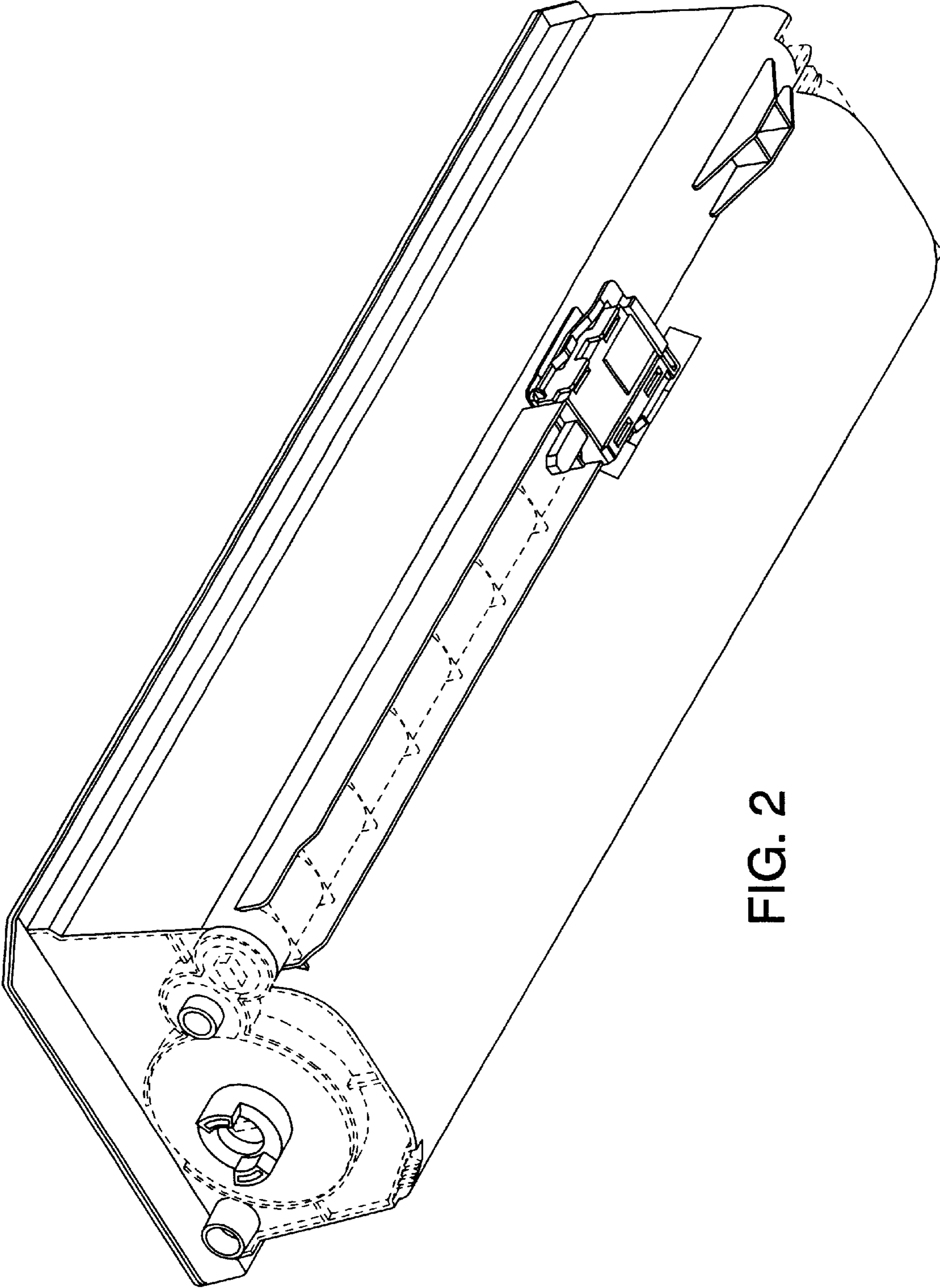


FIG. 2

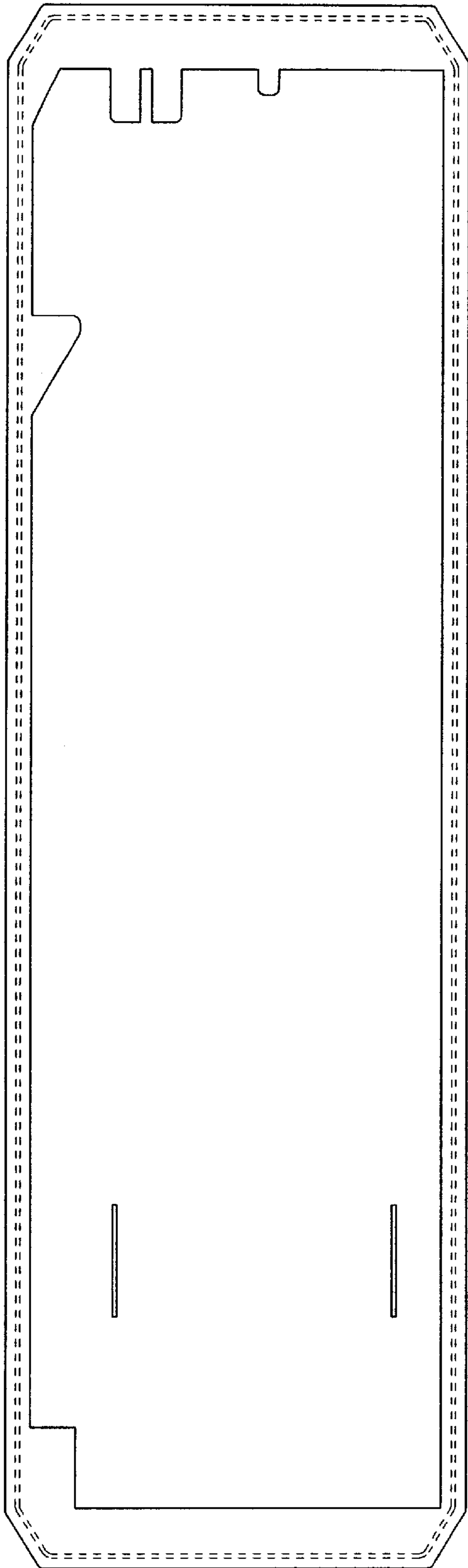


FIG. 3

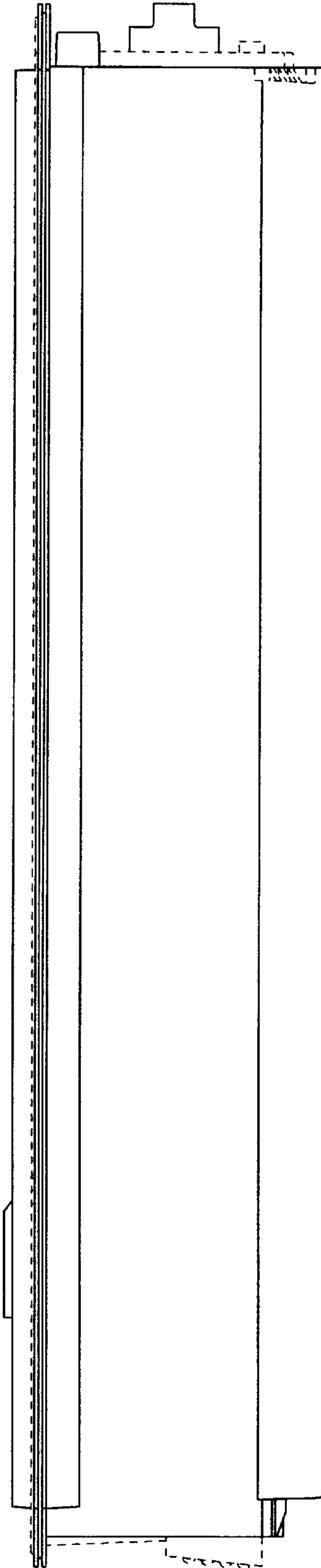


FIG. 4

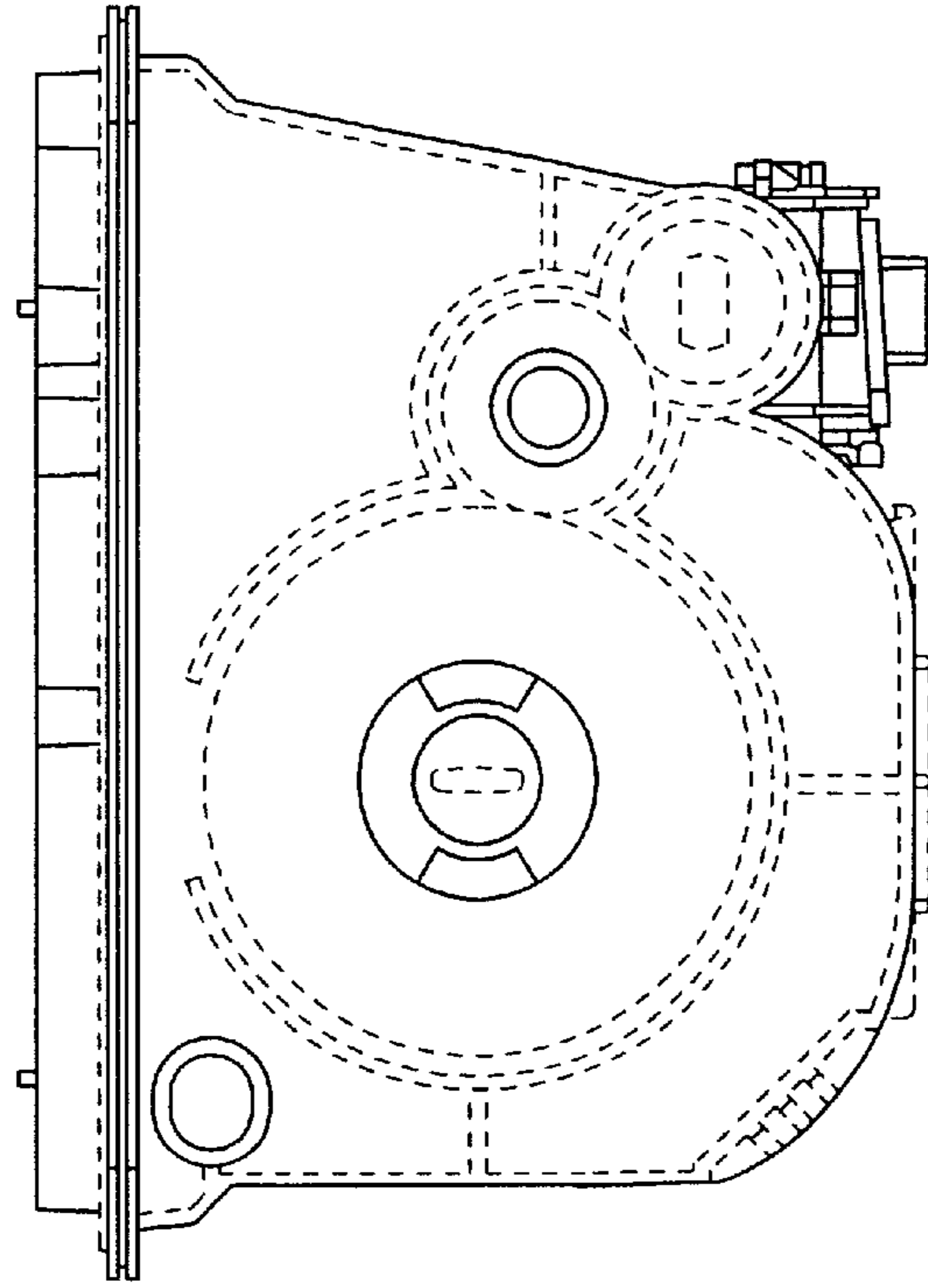


FIG. 5

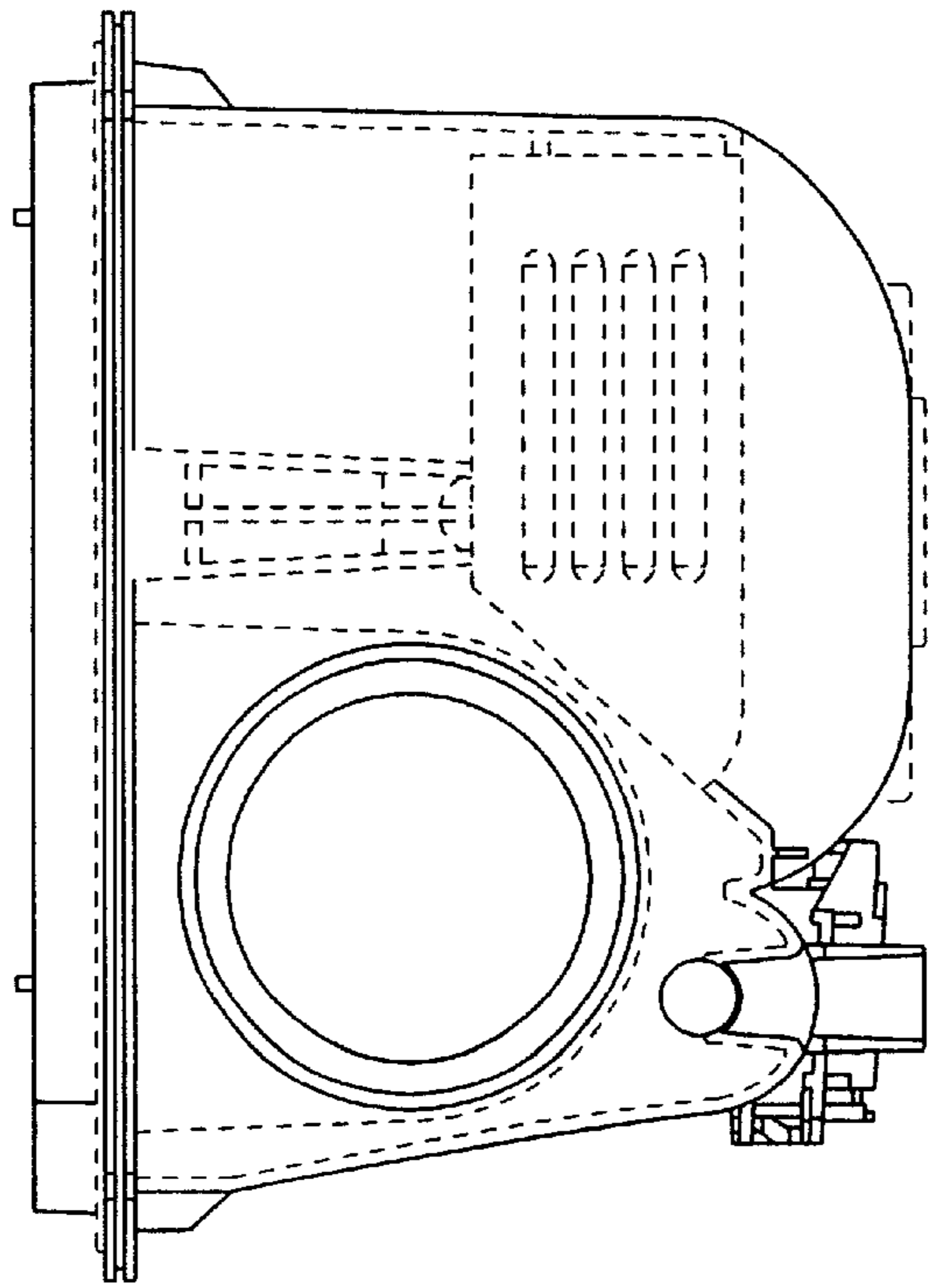


FIG. 6

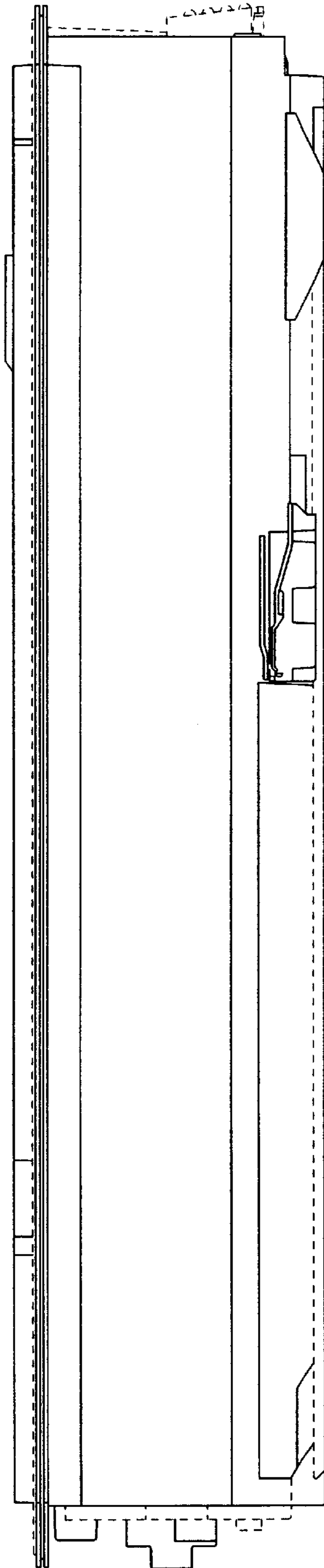


FIG. 7

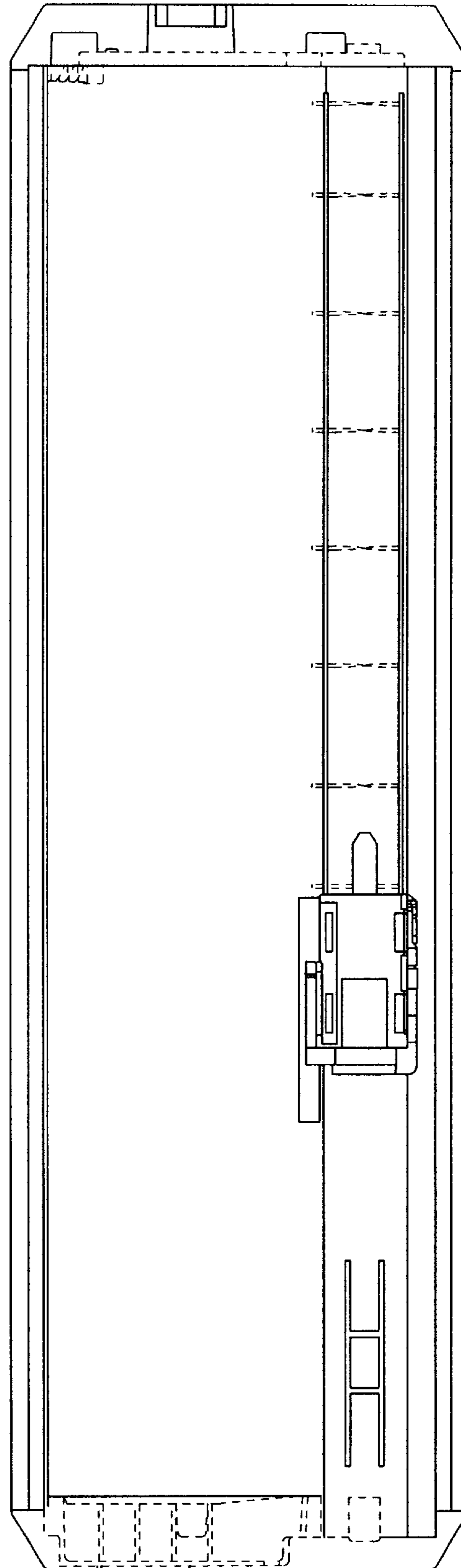


FIG. 8