

US00D525288S

(12) **United States Design Patent**
Rieck

(10) **Patent No.:** **US D525,288 S**

(45) **Date of Patent:** **** Jul. 18, 2006**

(54) **WORK-SURFACE MOUSE PAD FOR AN
IMAGE PRODUCING MACHINE**

(75) Inventor: **Kenneth J. Rieck**, Victor, NY (US)

(73) Assignee: **Xerox Corporation**, Stamford, CT
(US)

(**) Term: **14 Years**

(21) Appl. No.: **29/198,368**

(22) Filed: **Jan. 28, 2004**

(51) **LOC (8) Cl.** **16-03**

(52) **U.S. Cl.** **D18/40**

(58) **Field of Classification Search** D18/36-41,
D18/43-49, 56; 222/DIG. 1; 271/3.14, 8.1,
271/145, 147, 160, 165, 226, 278; 355/97,
355/99, 133; 399/1-7, 35, 75, 81, 82, 99,
399/107, 120, 130, 257, 264, 327, 361, 365,
399/367, 381-383, 388, 393, 405, 411; D6/396,
D6/406.1, 409, 451, 509, 511, 582-584, 587,
D6/592; D14/458-461

See application file for complete search history.

(56) **References Cited**

U.S. PATENT DOCUMENTS

D172,245 S * 5/1954 Netzler D7/550.1
D207,713 S * 5/1967 Sullivan D6/511
D275,108 S * 8/1984 Noonan D18/38
D312,267 S * 11/1990 Biggs et al. D18/39
D361,325 S * 8/1995 Massey D18/12
D394,049 S * 5/1998 Barrette D14/458
D399,833 S * 10/1998 Barrette D14/458
D403,696 S * 1/1999 Kobayashi et al. D18/40
D405,771 S * 2/1999 Nachinson et al. D14/458

5,884,132 A * 3/1999 Gotham et al. 399/393
D414,634 S * 10/1999 Smith et al. D6/511
D424,357 S * 5/2000 Fujihara et al. D6/583
D425,108 S * 5/2000 Kabumoto et al. D18/38
D427,451 S * 7/2000 Cary et al. D6/396
D432,506 S * 10/2000 Noguchi et al. D14/458
D440,798 S * 4/2001 Kuhlman et al. D6/511
6,259,866 B1 * 7/2001 Kabumoto et al. 399/1
D450,343 S * 11/2001 Matsuo et al. D18/39
D463,441 S * 9/2002 Benden et al. D14/458
D508,259 S * 8/2005 Rieck et al. D18/39
D508,944 S * 8/2005 Rieck et al. D18/41
D511,790 S * 11/2005 Rieck D18/40

FOREIGN PATENT DOCUMENTS

CS 29451 * 3/2000

* cited by examiner

Primary Examiner—Caron Veynar

Assistant Examiner—Garth Rademaker

(74) *Attorney, Agent, or Firm*—Tallam I. Nguti

(57) **CLAIM**

The ornamental design for a work-surface mouse pad for an image producing machine, as shown and described.

DESCRIPTION

FIG. 1 is a perspective view of a work surface mouse pad for an image producing machine showing the design of the present invention;

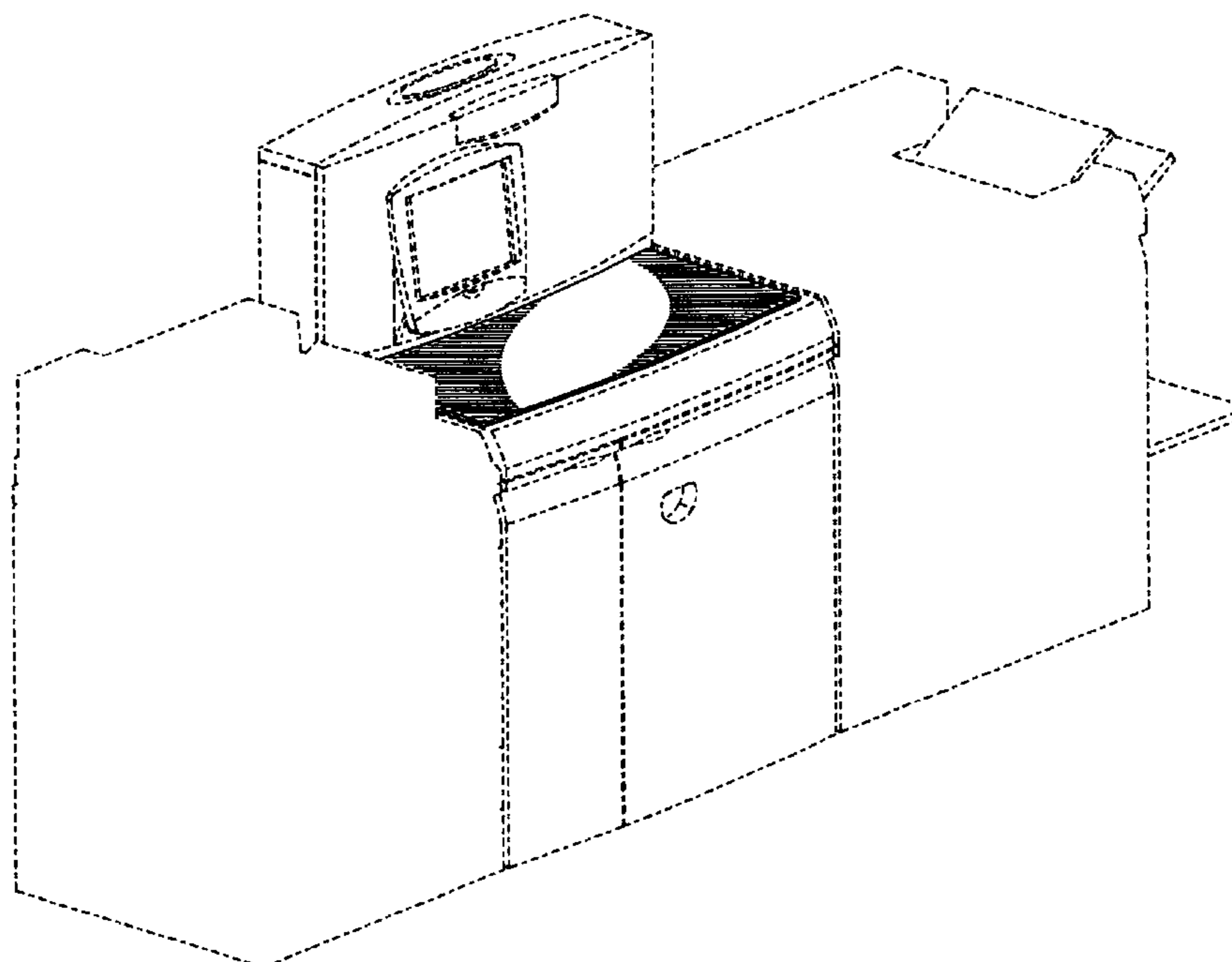
FIG. 2 is a front view thereof;

FIG. 3 is a left side view thereof; and,

FIG. 4 is a top view thereof.

The broken lines shown are for illustrative purposes only and do not form part of the claimed design.

1 Claim, 4 Drawing Sheets



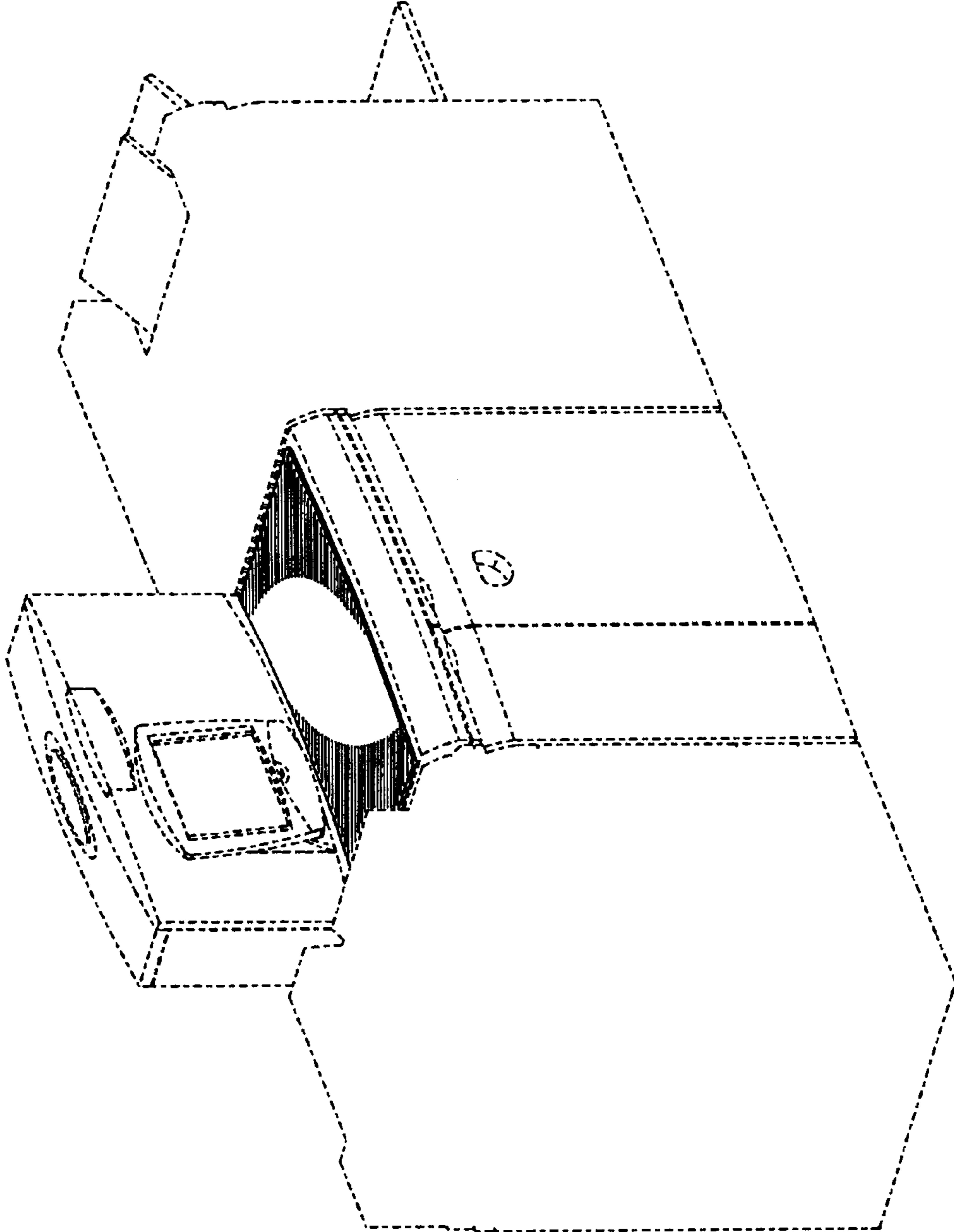


FIG. 1

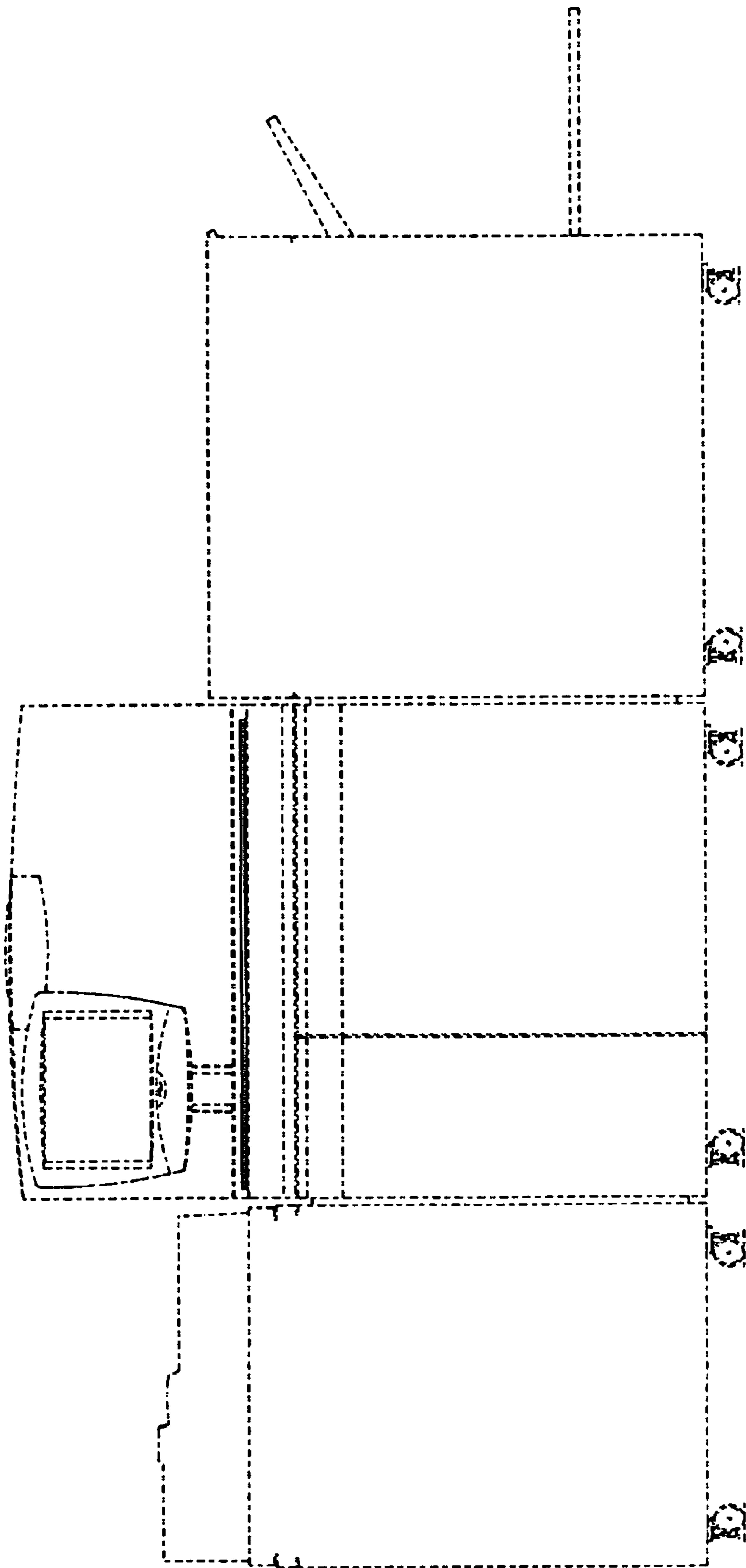


FIG. 2

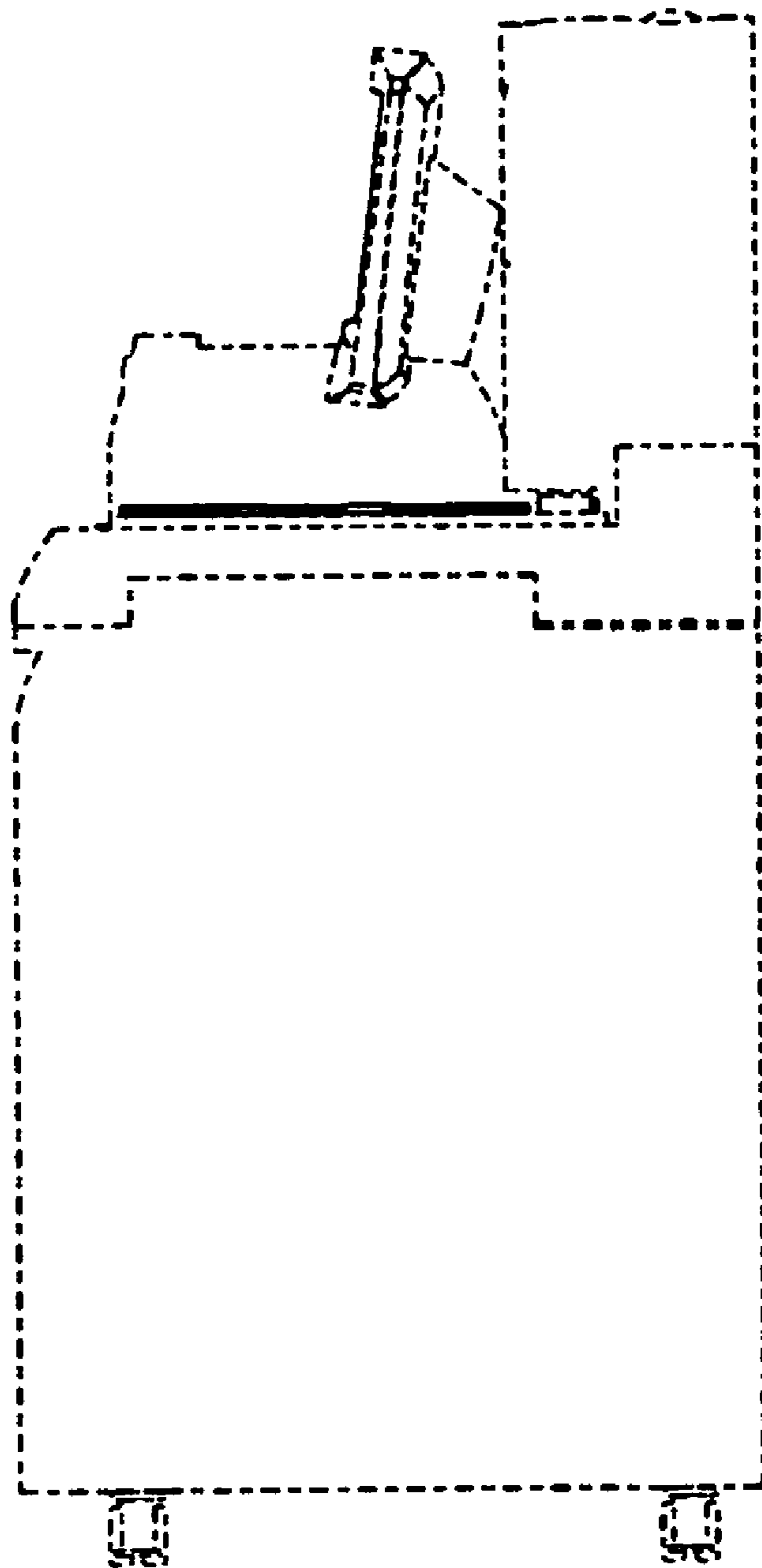


FIG. 3

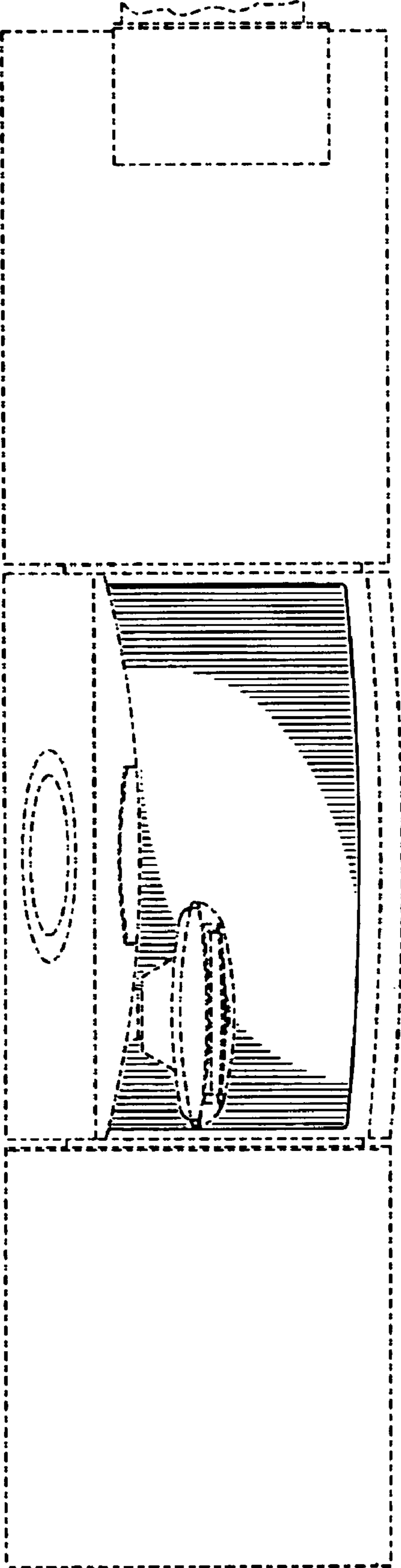


FIG. 4