



US00D525282S

(12) **United States Design Patent**
Barnes et al.

(10) **Patent No.: US D525,282 S**

(45) **Date of Patent: ** Jul. 18, 2006**

(54) **POINT OF SALE UNIT HAVING INTEGRAL CUSTOMER AND OPERATOR INTERFACES**

(75) Inventors: **Ray Barnes**, Whitesboro, NY (US);
James Branck, Frankfort, NY (US);
Louis Brown, Manlius, NY (US);
Gregory Cortese, New Hartford, NY (US);
Brian Johnson, Ilion, NY (US);
Karen Sammon, Clinton, NY (US)

(73) Assignee: **PAR Technology Corporation**, New Hartford, NY (US)

(**) Term: **14 Years**

(21) Appl. No.: **29/213,764**

(22) Filed: **Sep. 20, 2004**

(51) **LOC (8) Cl.** **18-01**

(52) **U.S. Cl.** **D18/4.5**

(58) **Field of Classification Search** D18/3.1-3.3,
D18/4.1-4.6, 6, 12, 12.1-12.3; D14/315,
D14/316, 336, 371-376; D21/324, 329-332;
D99/28, 43; 235/1 E, 6, 7 R, 33, 50 A, 50 B,
235/50 R, 51, 379, 386; 705/12, 15-18, 40,
705/43

See application file for complete search history.

(56) **References Cited**

U.S. PATENT DOCUMENTS

- D319,435 S * 8/1991 Brown D14/336
- D345,966 S * 4/1994 Perez D18/4.5
- D363,467 S * 10/1995 Takahashi D14/336
- D383,733 S * 9/1997 Mieki D14/336
- D399,244 S * 10/1998 Coveley D18/12
- D408,296 S * 4/1999 Hui D10/15
- D410,499 S * 6/1999 Smith et al. D21/329

- D422,973 S * 4/2000 Imahashi et al. D14/336
- D428,863 S * 8/2000 Rahemtulla et al. D14/337
- D433,701 S * 11/2000 Chiu D18/4.6
- D445,124 S * 7/2001 Naito D18/3.3
- D451,917 S * 12/2001 Rahemtulla et al. D14/337
- D454,421 S * 3/2002 Jeon et al. D99/28
- 6,629,636 B1 * 10/2003 Hayashi et al. 235/383
- D491,216 S * 6/2004 Ookushi et al. D18/4.4
- D507,023 S * 7/2005 Simonetti et al. D21/329
- D508,519 S * 8/2005 Kuramochi et al. D18/4.1
- D508,565 S * 8/2005 Nephin et al. D14/336
- 2002/0103707 A1 * 8/2002 Takeuchi et al. 705/16
- 2004/0049426 A1 * 3/2004 Miyagawa 705/16
- 2005/0156024 A1 * 7/2005 Ichikawa et al. 235/379

* cited by examiner

Primary Examiner—Caron Veynar

Assistant Examiner—Garth Rademaker

(74) *Attorney, Agent, or Firm*—George R. McGuire; Bond, Schoeneck & King, PLLC

(57) **CLAIM**

The ornamental design for a point of sale unit having integral customer and operator interfaces, as shown.

DESCRIPTION

FIG. 1 is a front perspective view of a point of sale unit having integral customer and operator interfaces showing our new design;

FIG. 2 is a rear perspective view thereof;

FIG. 3 is a front elevational view thereof;

FIG. 4 is a rear elevational view thereof;

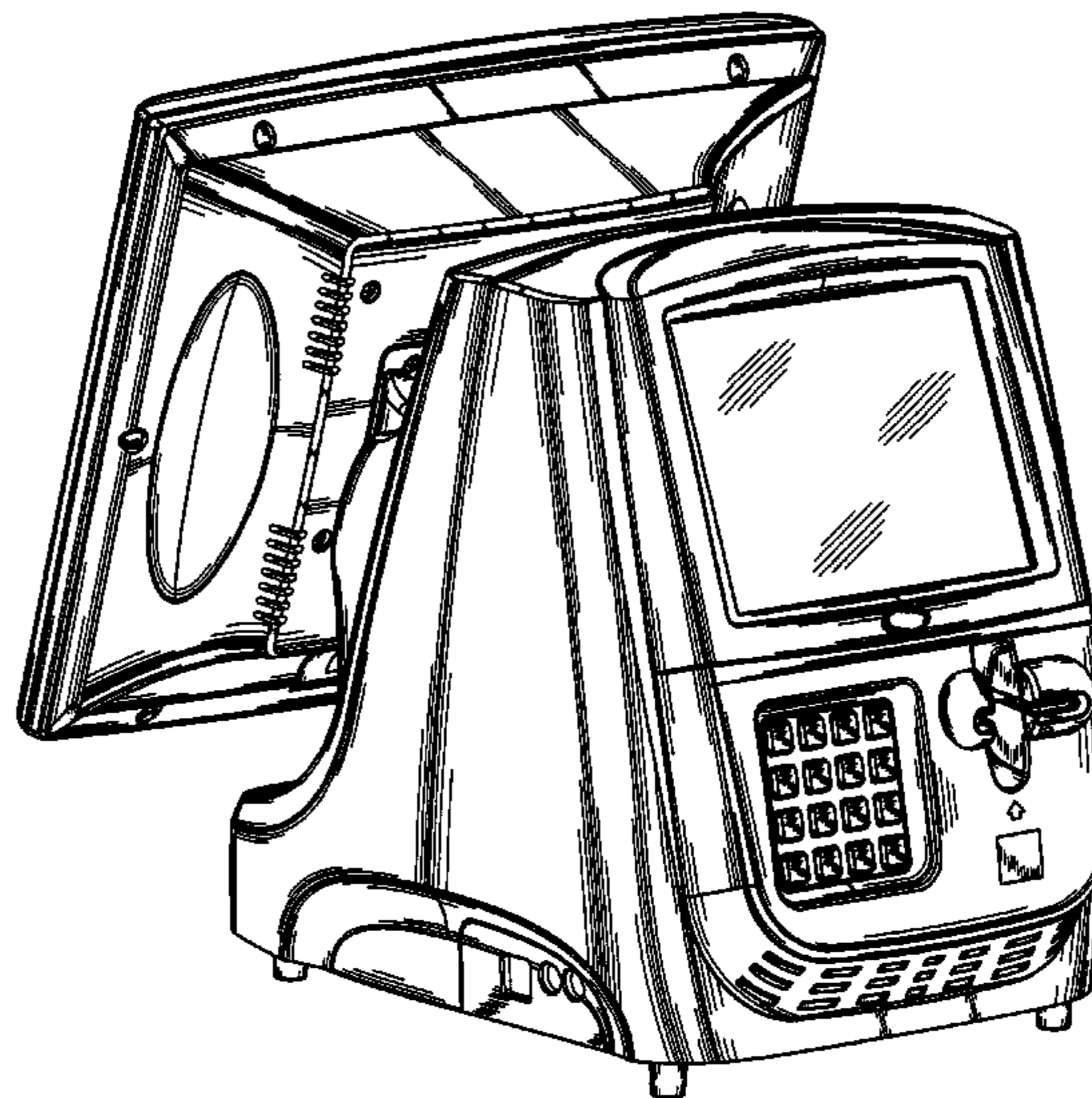
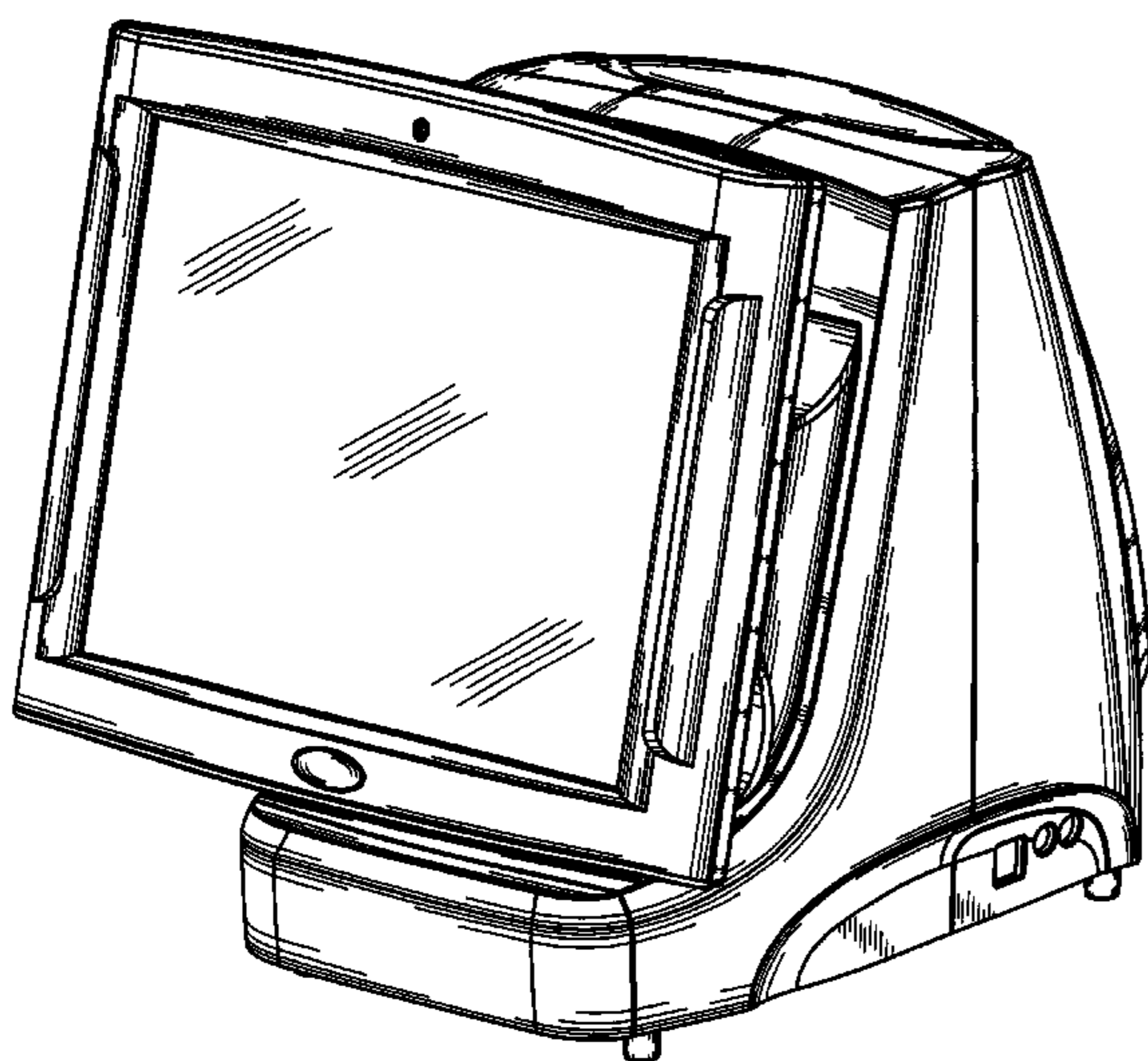
FIG. 5 is a right side elevational view thereof;

FIG. 6 is a left side view thereof;

FIG. 7 is a top plan view thereof; and,

FIG. 8 is a bottom plan view thereof.

1 Claim, 8 Drawing Sheets



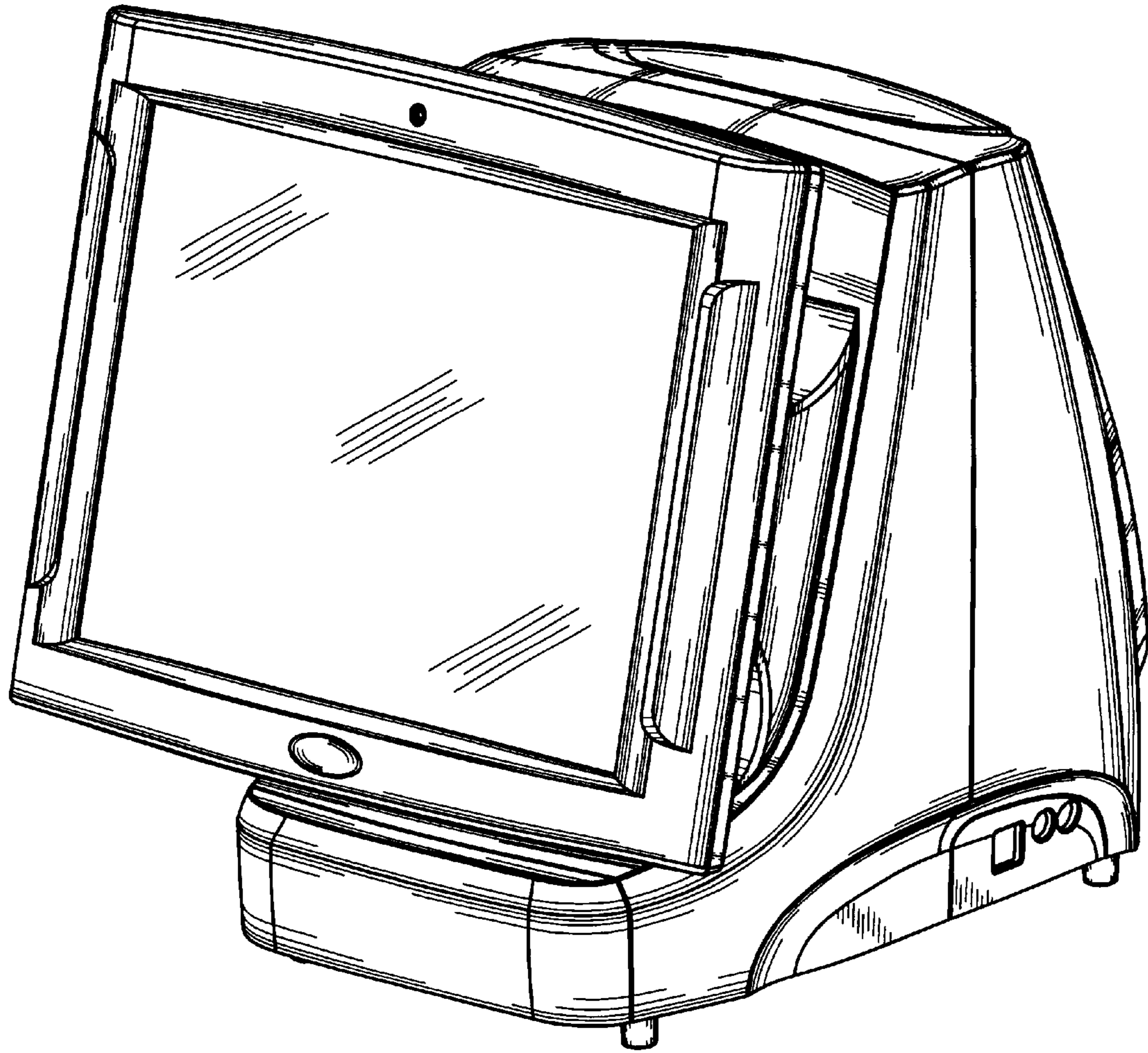


FIG. 1

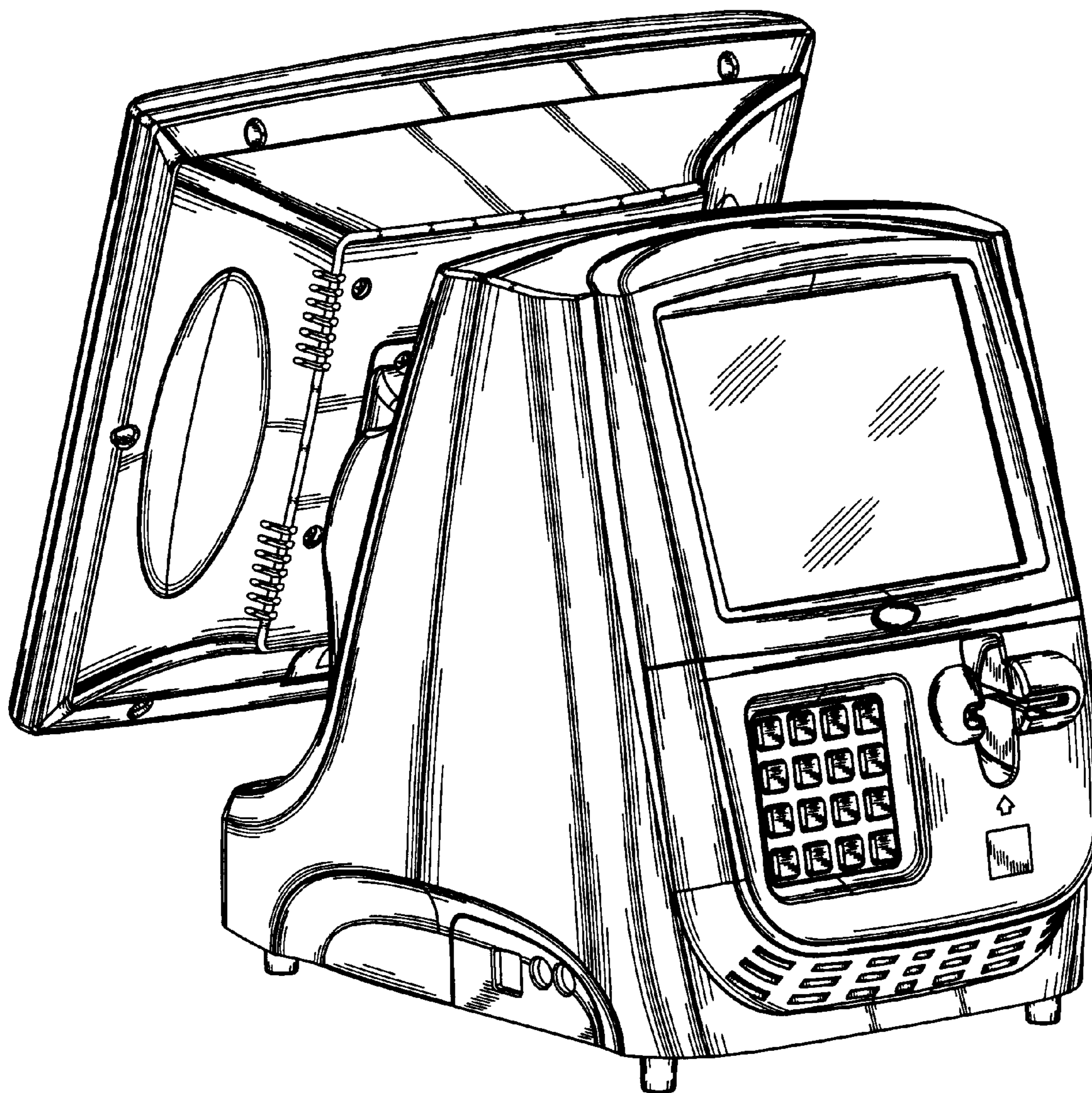


FIG. 2

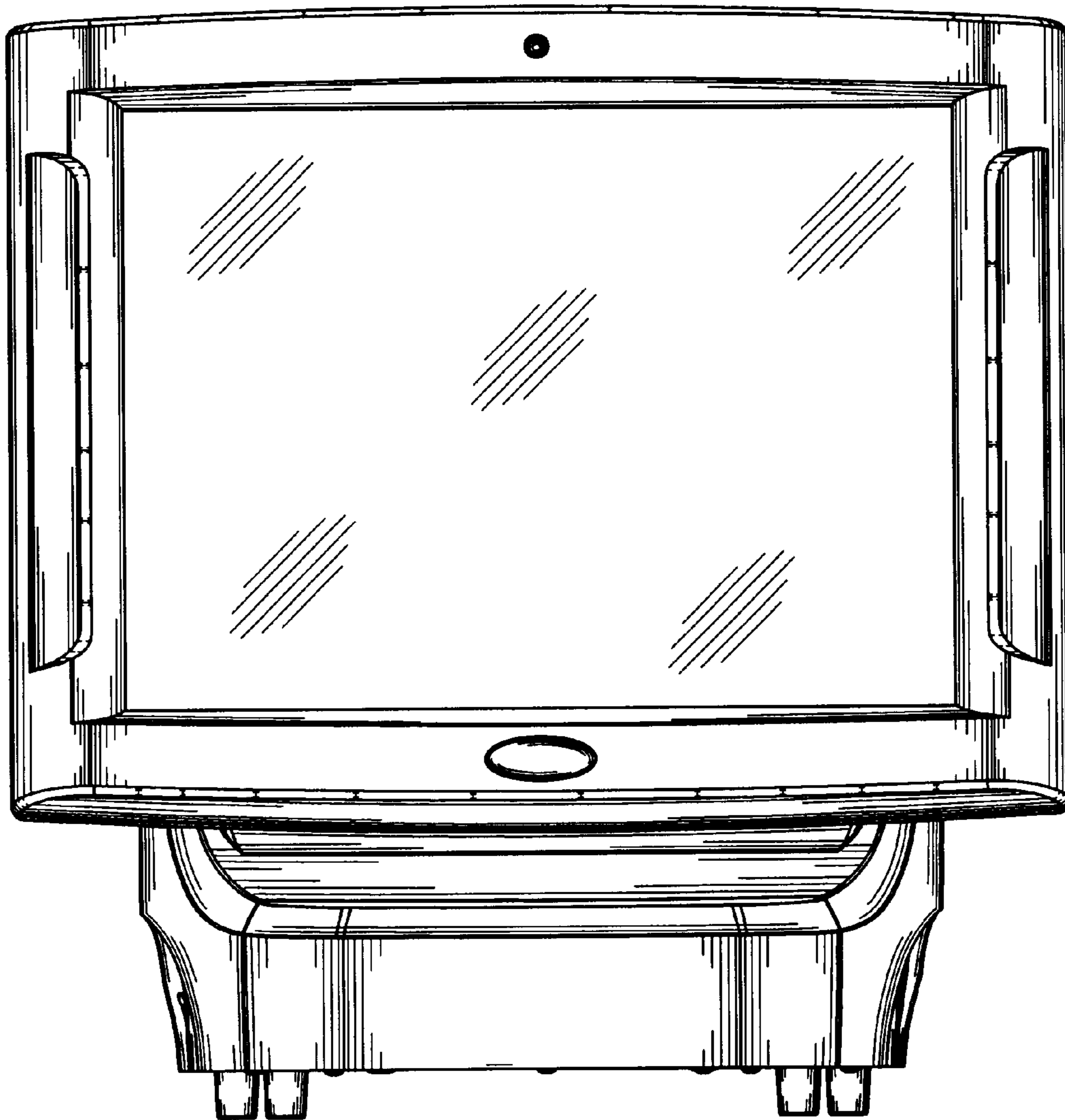


FIG. 3

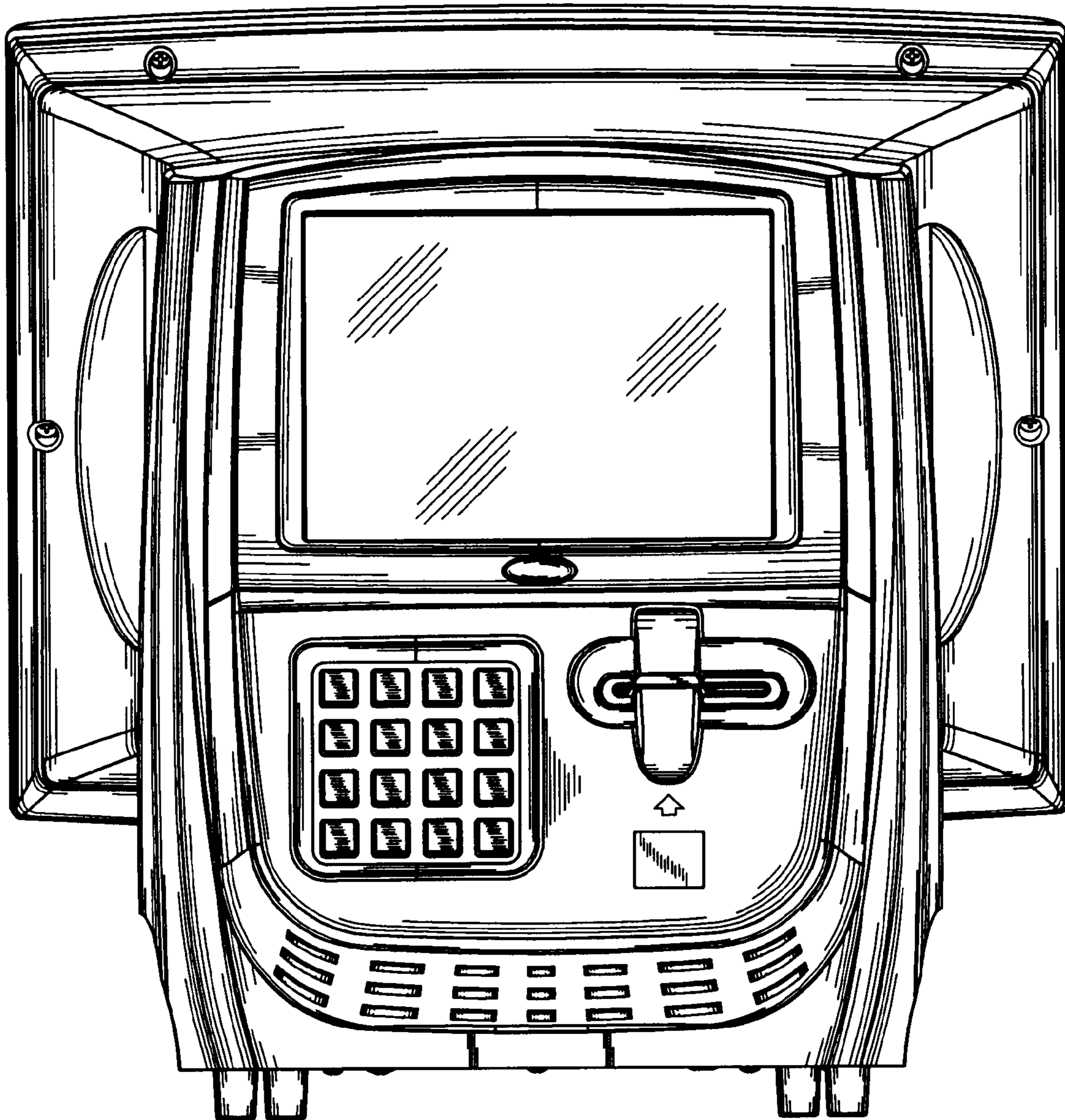


FIG. 4

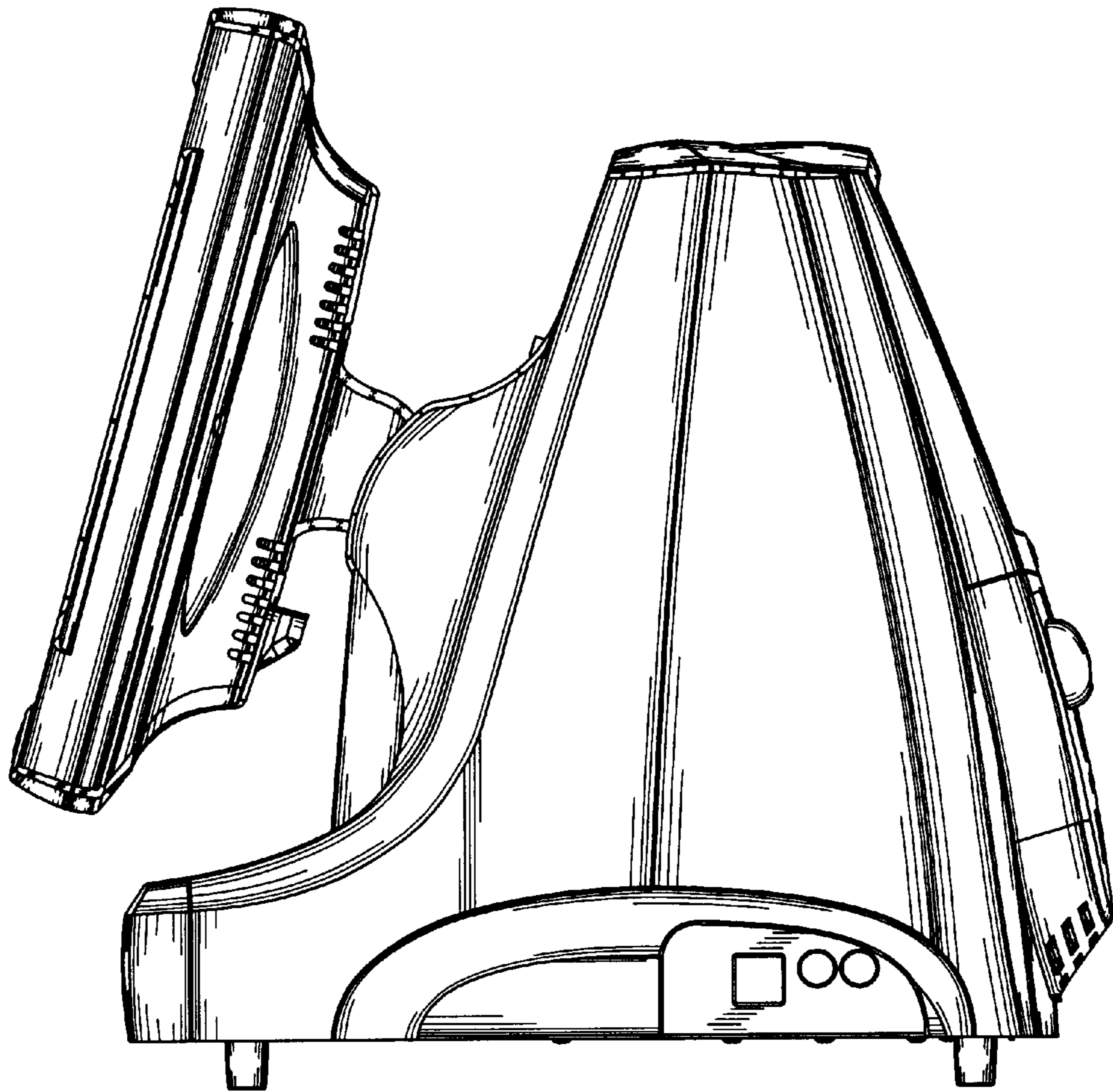


FIG. 5

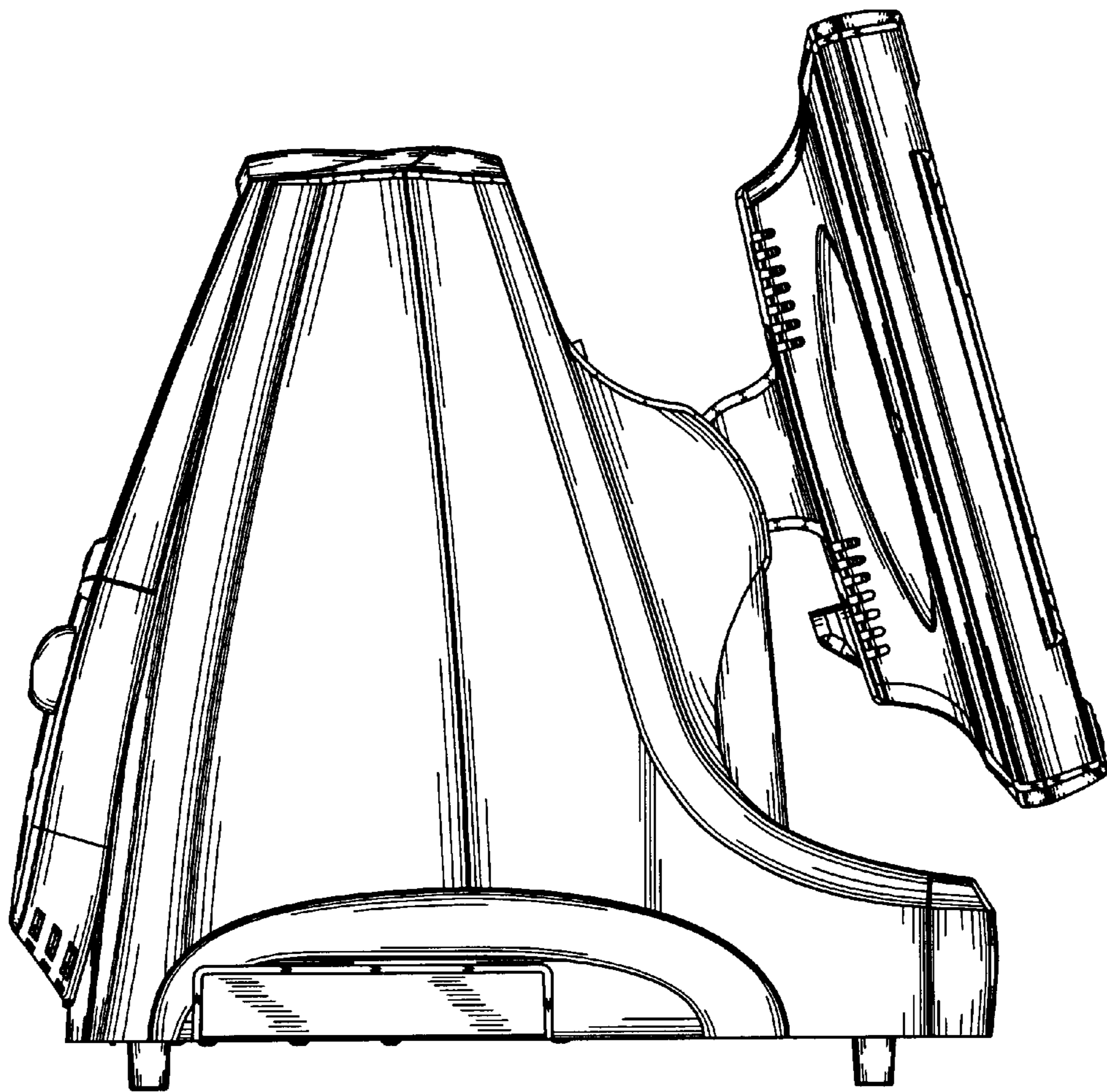


FIG. 6

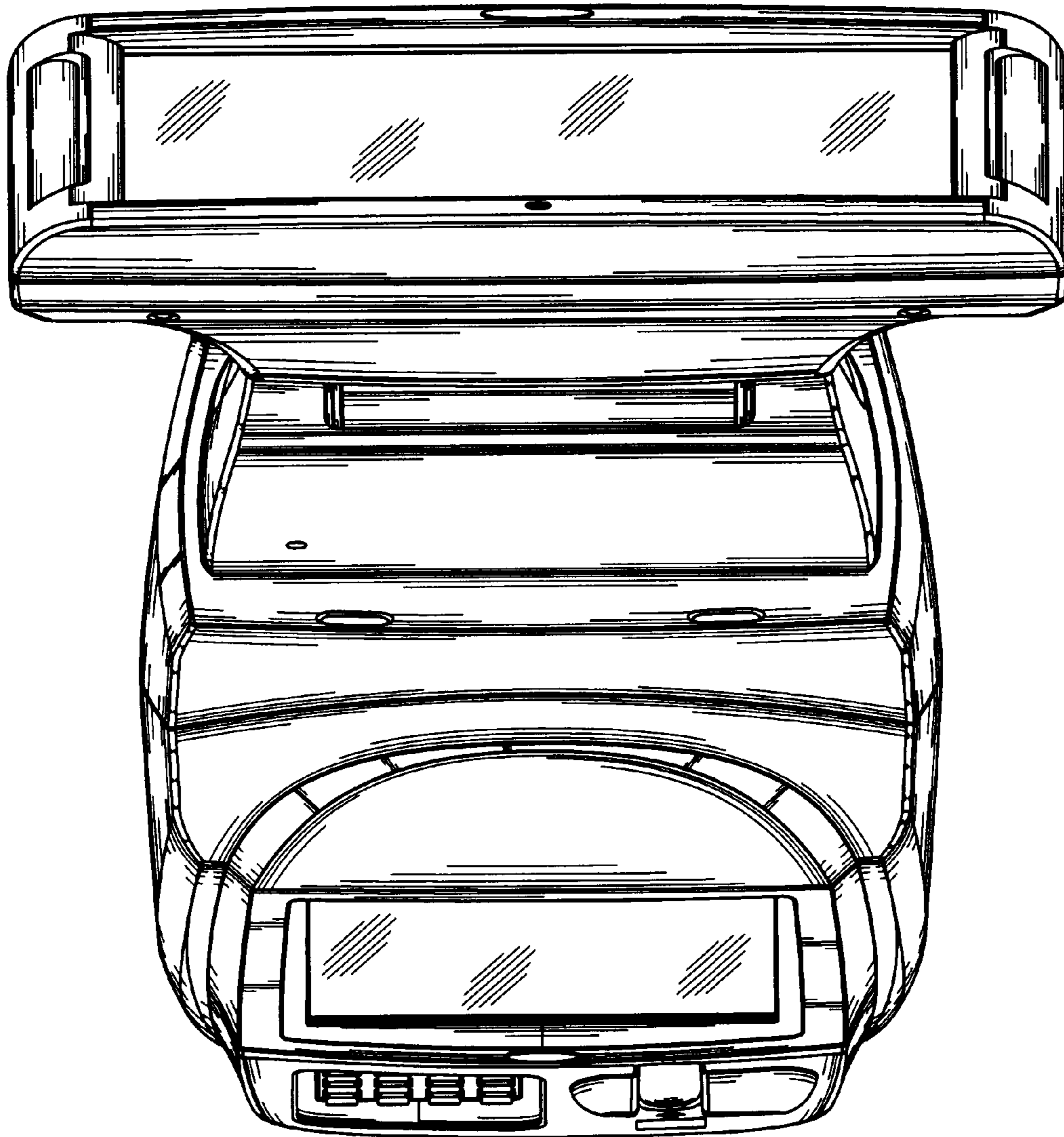


FIG. 7

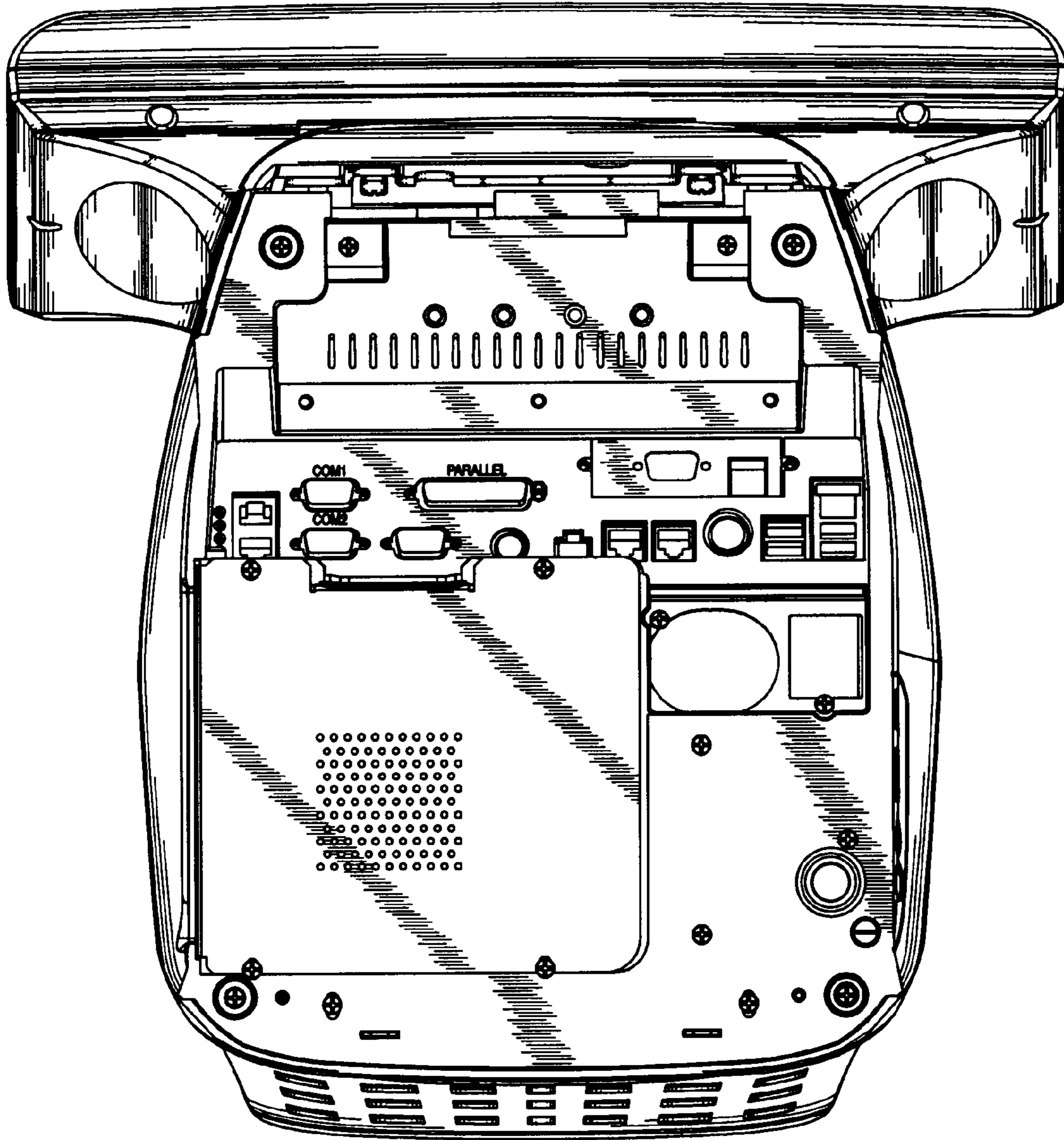


FIG. 8