

US00D525276S

(12) **United States Design Patent**
de Leon

(10) **Patent No.:** **US D525,276 S**

(45) **Date of Patent:** **** Jul. 18, 2006**

(54) **MOBILE FLASH**

(75) Inventor: **Roldolfo de Leon**, Malmo (SE)

(73) Assignee: **Sony Ericsson Mobile Communications, AB** (SE)

(**) Term: **14 Years**

(21) Appl. No.: **29/196,845**

(22) Filed: **Jan. 6, 2004**

(30) **Foreign Application Priority Data**

Jul. 10, 2003 (EM) 49861

(51) **LOC (8) Cl.** **16-05**

(52) **U.S. Cl.** **D16/239**

(58) **Field of Classification Search** D16/239,
D16/240, 202-205, 208, 218; D14/130, 144,
D14/240; 348/14.01-14.1, 373-375; 358/909.1;
396/155, 182, 189

See application file for complete search history.

(56) **References Cited**

U.S. PATENT DOCUMENTS

D184,563 S * 3/1959 Ferman D16/239
3,444,798 A * 5/1969 Mayr et al. 396/155
D262,634 S * 1/1982 Schlagheck et al. D16/240
5,491,507 A * 2/1996 Umezawa et al. 348/14.02

5,974,273 A * 10/1999 Larkin et al. 396/182
D448,785 S * 10/2001 Chou D16/202
D471,927 S * 3/2003 Kim D16/208

* cited by examiner

Primary Examiner—Adir Aronovich

(74) *Attorney, Agent, or Firm*—Myers Bigel Sibley & Sajovec, PA

(57) **CLAIM**

The ornamental design for a mobile flash, as shown and described.

DESCRIPTION

FIG. 1 is a bottom view of a mobile flash showing my design;

FIG. 2 is a top view thereof;

FIG. 3 is a front elevational view thereof;

FIG. 4 is a right side elevational view thereof;

FIG. 5 is a left side elevational view thereof;

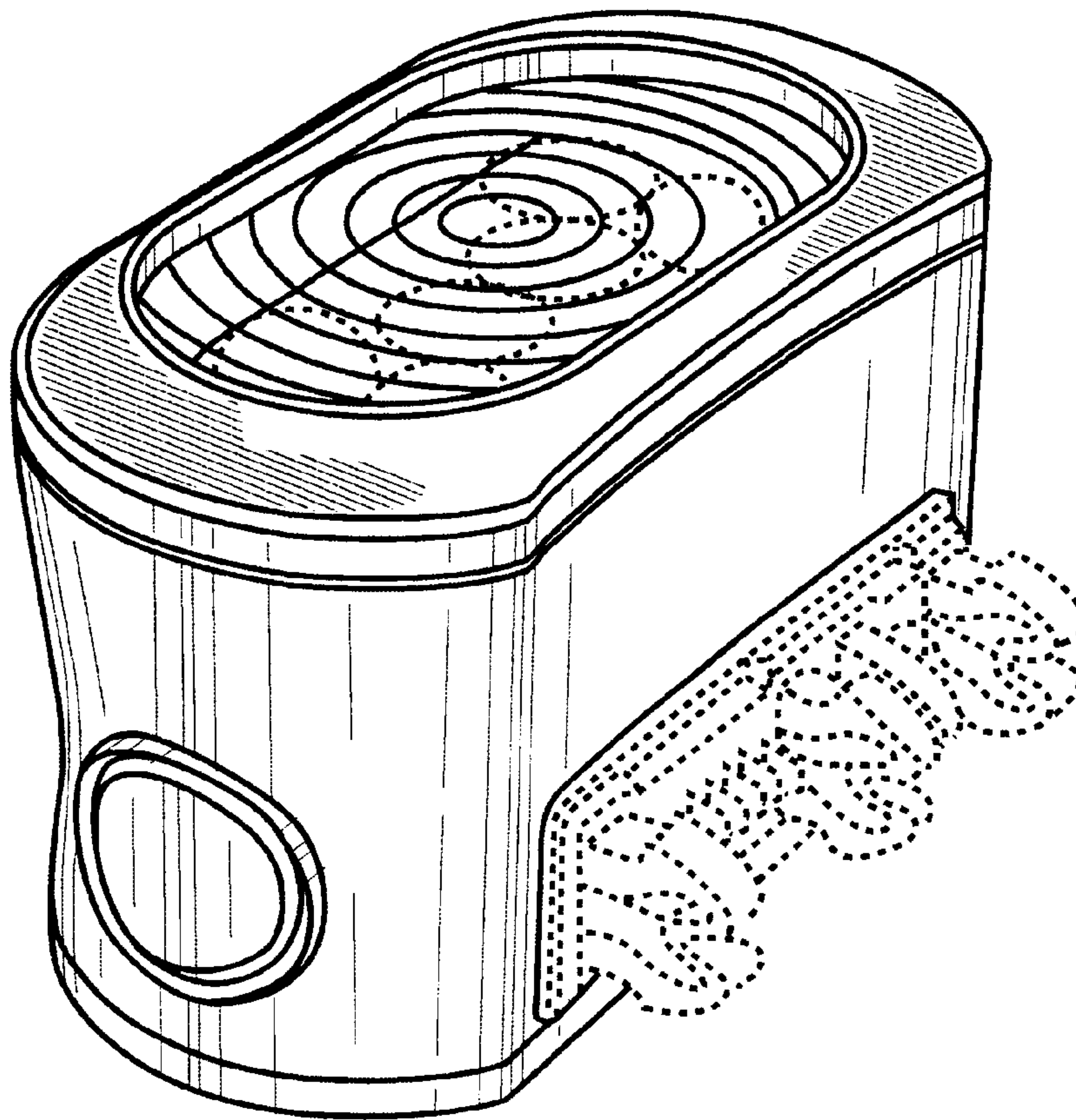
FIG. 6 is a rear elevational view thereof;

FIG. 7 is a top, front, and left side perspective view thereof; and,

FIG. 8 is a top view thereof without illustration of broken lines on the top portion of the mobile flash.

The portions of the mobile flash in broken lines illustrating additional features are for environmental purposes only and form no part of the claimed design.

1 Claim, 3 Drawing Sheets



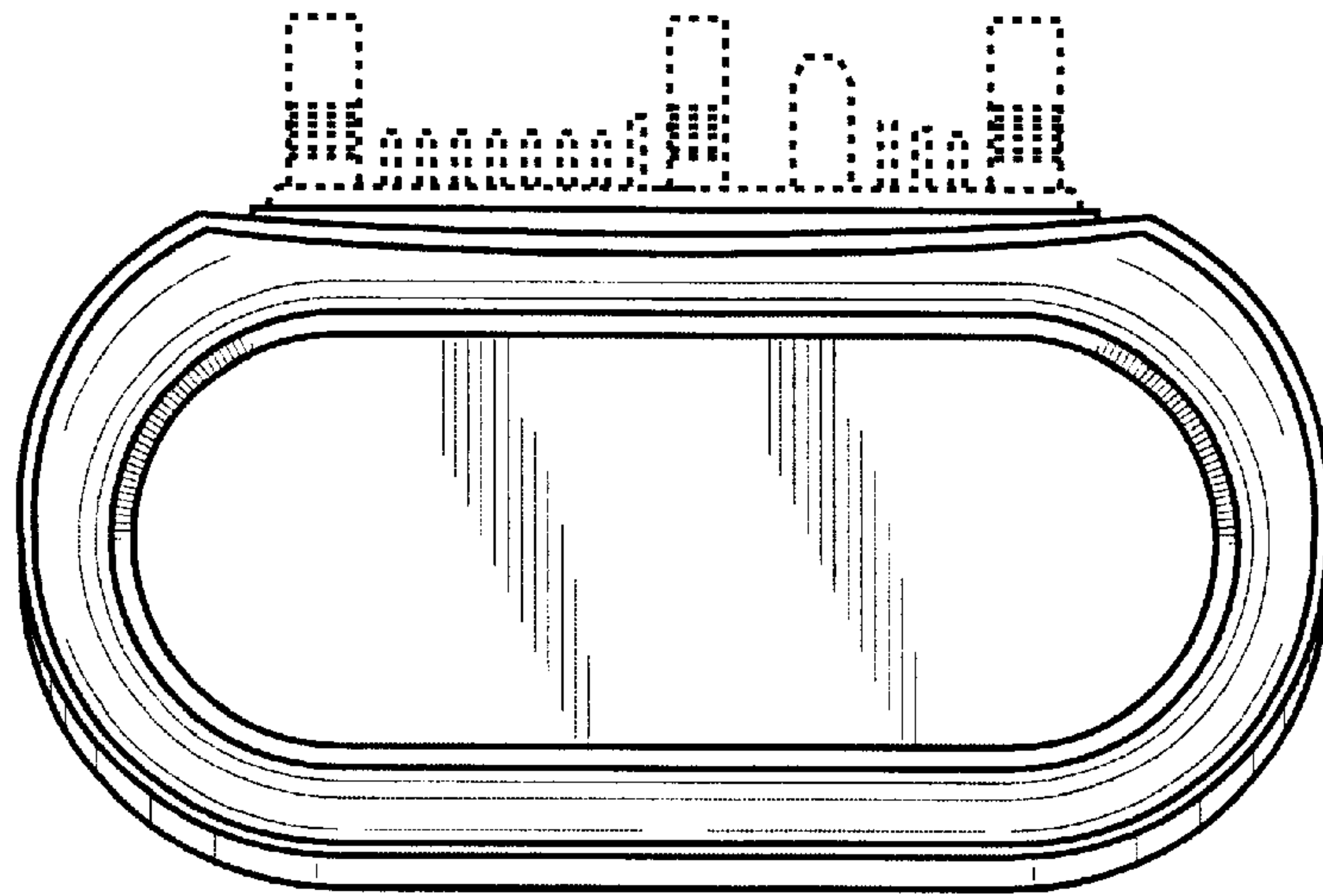


Figure 1

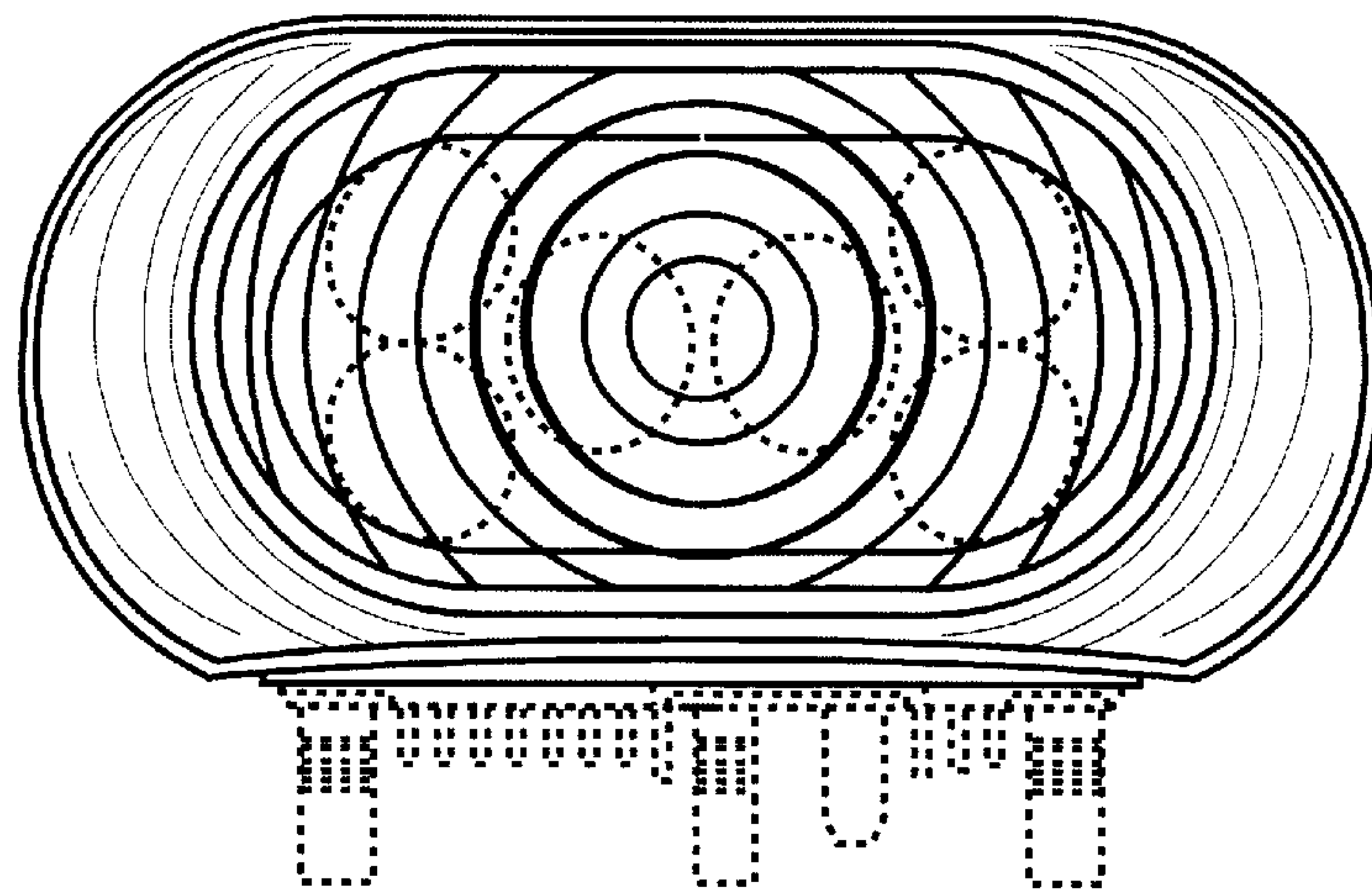


Figure 2

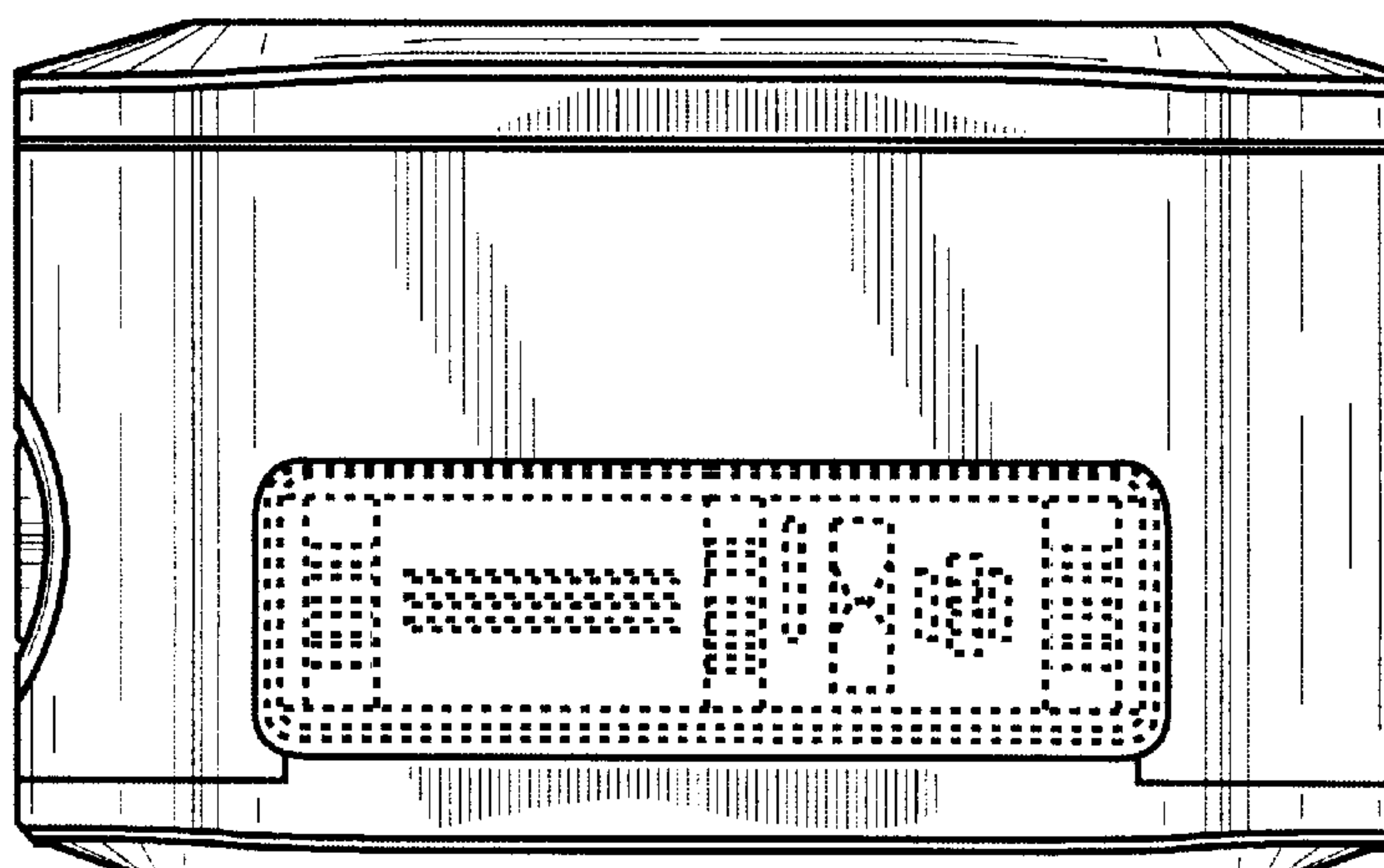


Figure 3

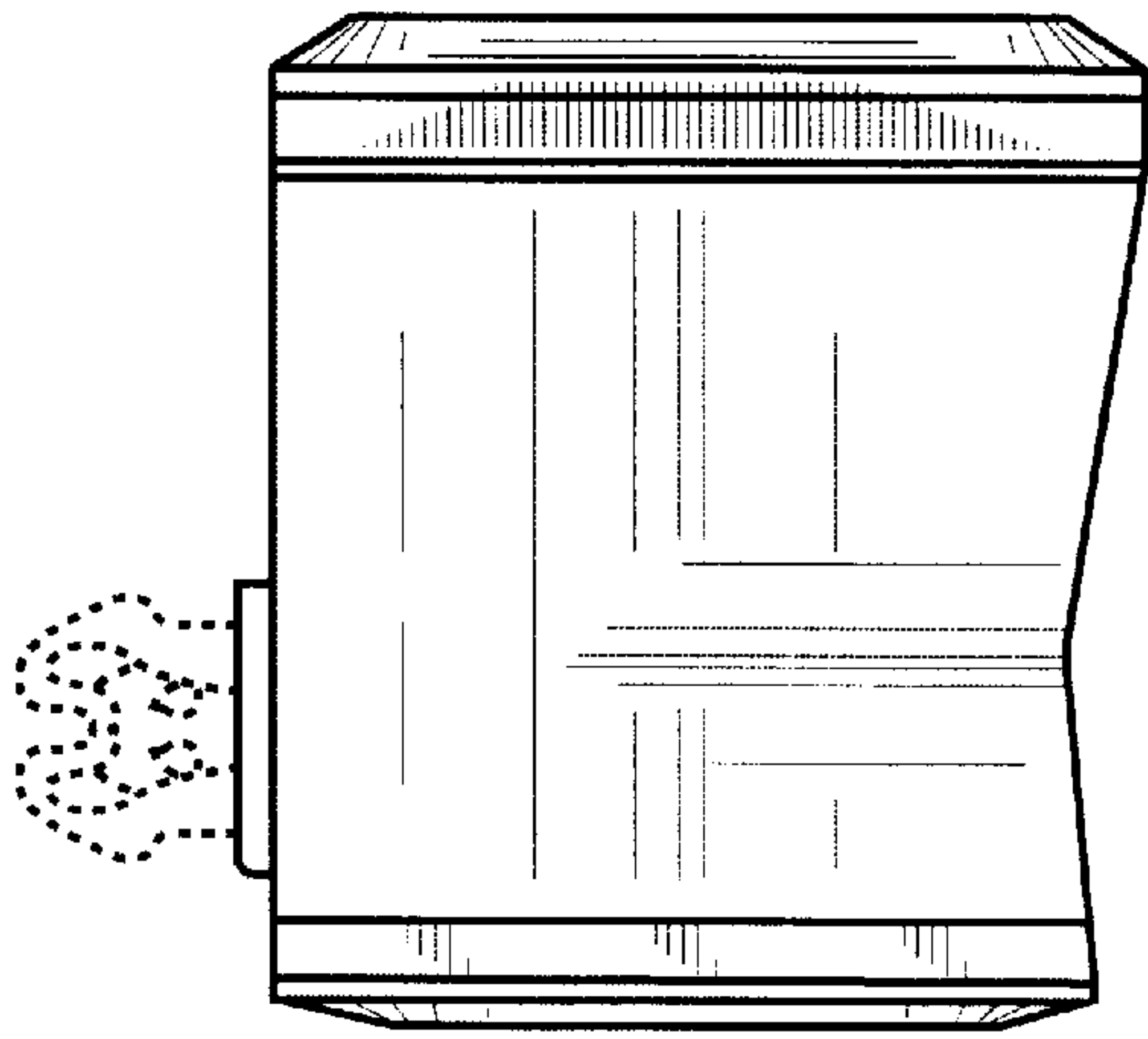


Figure 4

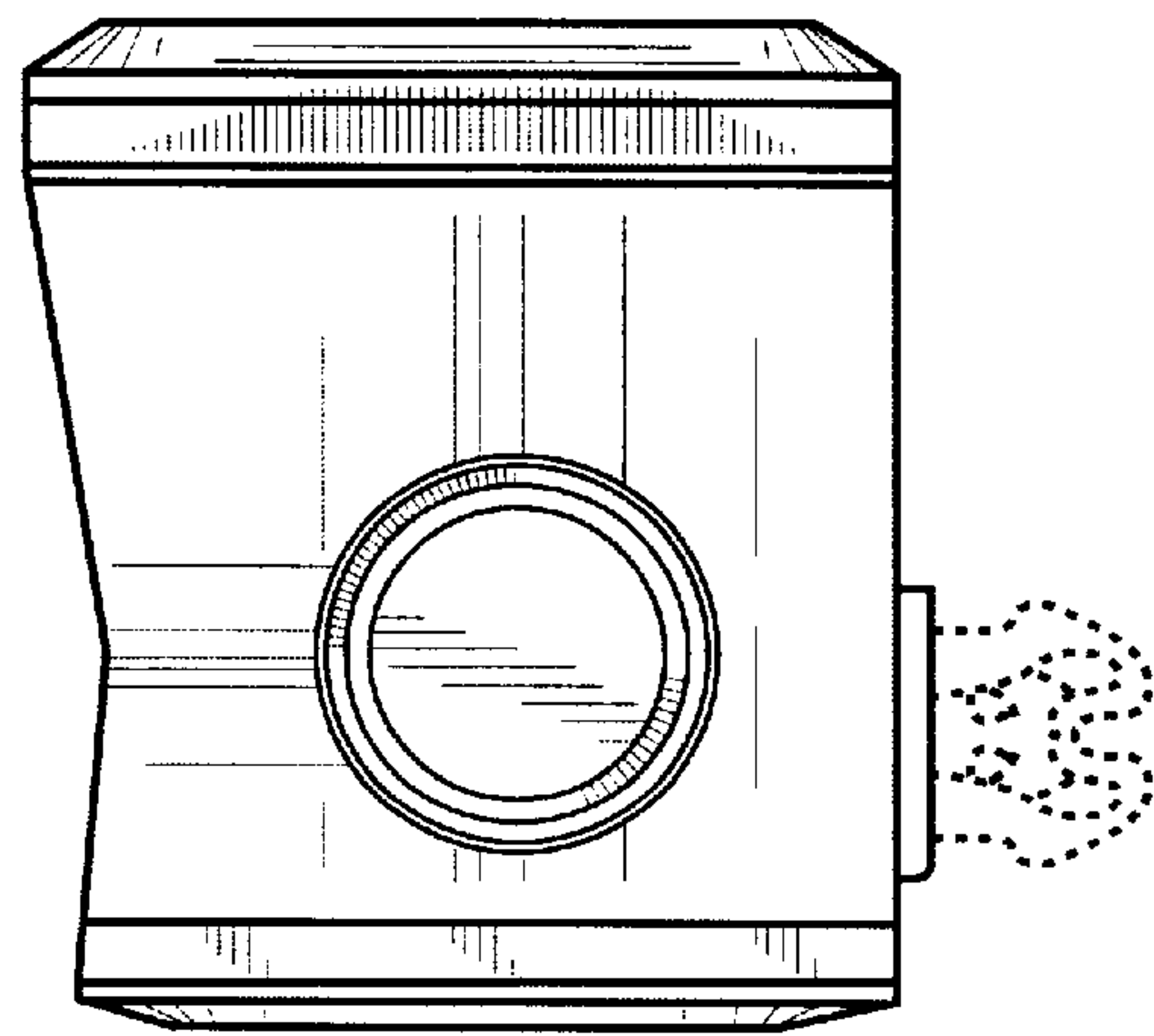


Figure 5

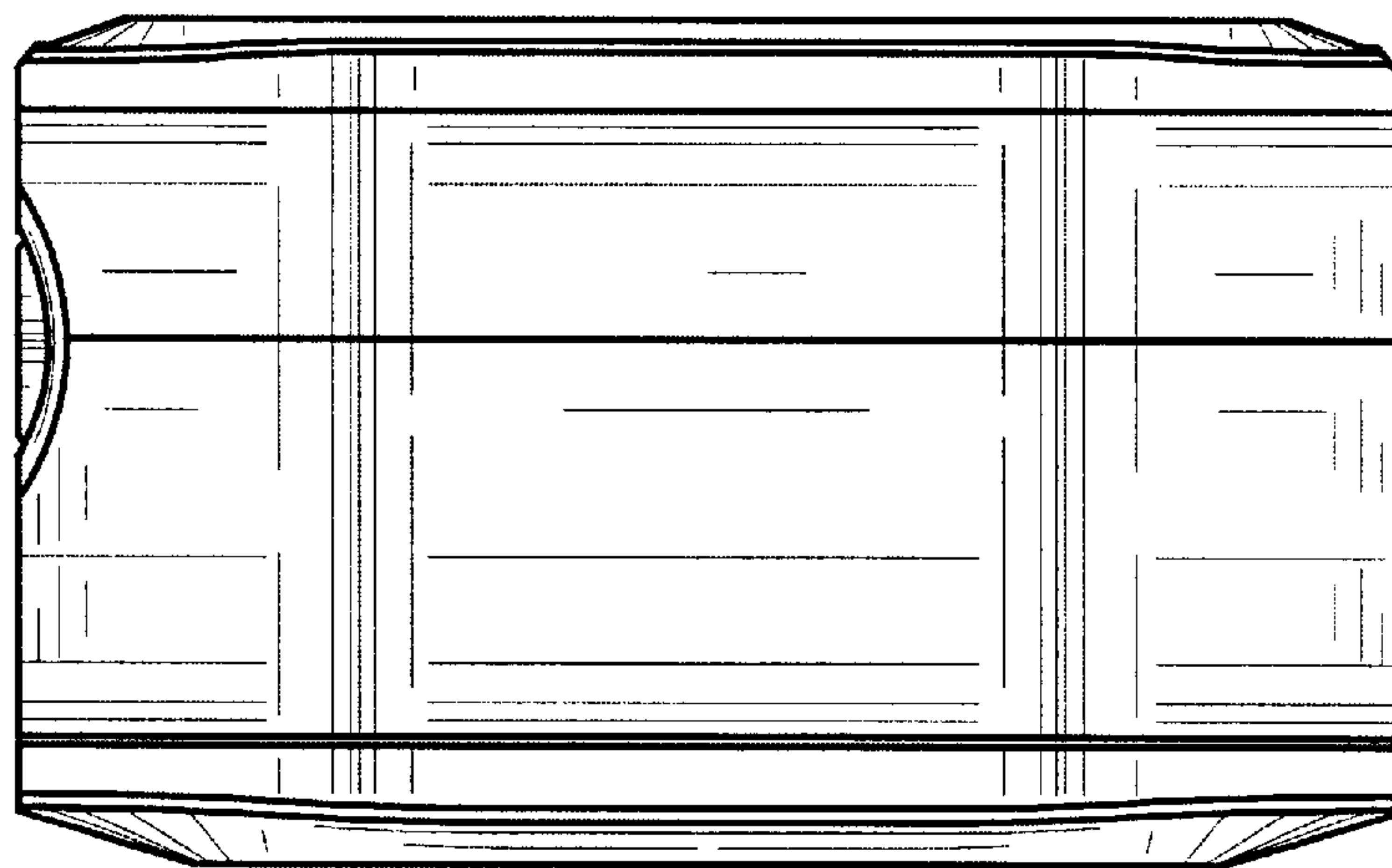


Figure 6

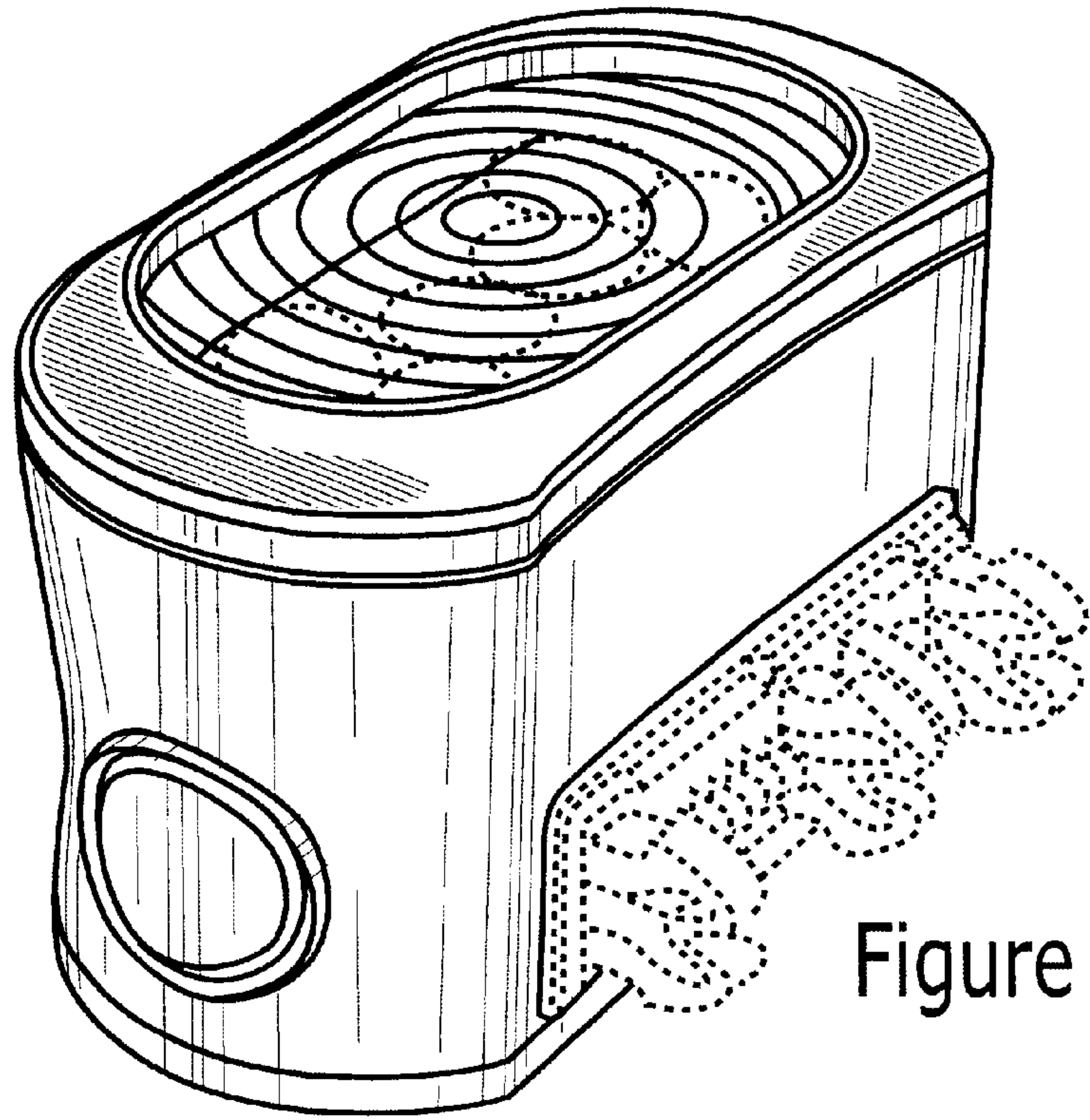


Figure 7

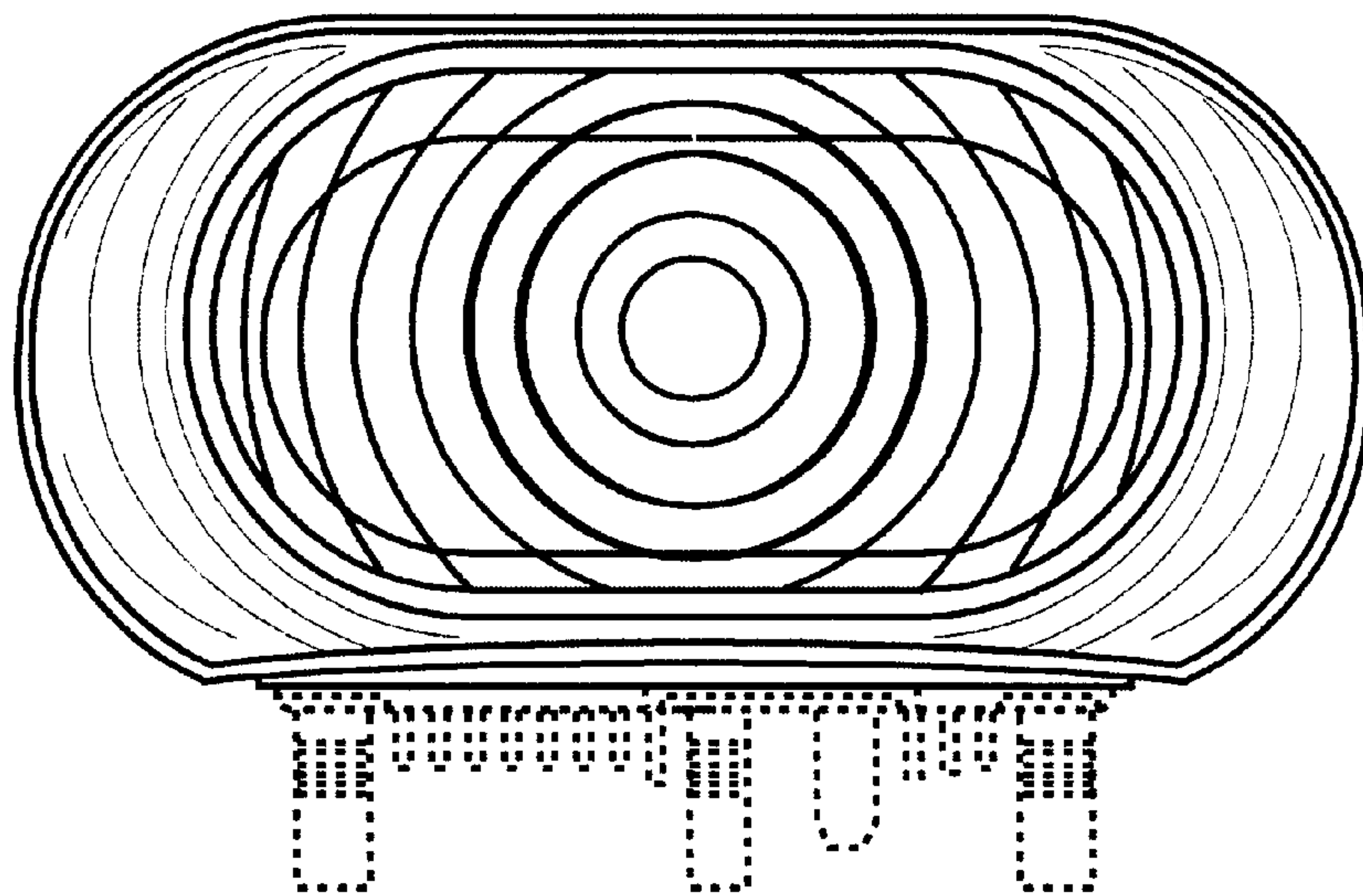


Figure 8

UNITED STATES PATENT AND TRADEMARK OFFICE
CERTIFICATE OF CORRECTION

PATENT NO. : Des. 525,276 S
APPLICATION NO. : 29/196845
DATED : July 18, 2006
INVENTOR(S) : de Leon

Page 1 of 1

It is certified that error appears in the above-identified patent and that said Letters Patent is hereby corrected as shown below:

On the Title Page,

Section 75 should read -- Rodolfo de Leon, Malmo (SE) --

Signed and Sealed this

Twenty-eighth Day of November, 2006

A handwritten signature in black ink on a light gray dotted background. The signature reads "Jon W. Dudas" in a cursive style.

JON W. DUDAS

Director of the United States Patent and Trademark Office