

US00D525275S

(12) **United States Design Patent**  
**Nagayama et al.**

(10) **Patent No.:** **US D525,275 S**  
(45) **Date of Patent:** **\*\* Jul. 18, 2006**

(54) **DIGITAL CAMERA**  
(75) Inventors: **Yosuke Nagayama**, Tokyo (JP); **Naoya Nishizawa**, Tokyo (JP)  
(73) Assignee: **Casio Keisanki Kabushiki Kaisha**, Tokyo (JP)  
(\*\*) Term: **14 Years**

D496,380 S \* 9/2004 Isomoto ..... D16/202  
D502,479 S \* 3/2005 Nishizawa et al. .... D16/202  
D502,480 S \* 3/2005 Nagayama ..... D16/202  
D502,723 S \* 3/2005 Nagayama et al. .... D16/219

\* cited by examiner

*Primary Examiner*—Adir Aronovich

(74) *Attorney, Agent, or Firm*—Frishauf, Holtz, Goodman & Chick, P.C.

(21) Appl. No.: **29/218,215**  
(22) Filed: **Nov. 29, 2004**

(57) **CLAIM**

The ornamental design for a digital camera, as shown and described.

(51) **LOC (8) Cl.** ..... **16-01**  
(52) **U.S. Cl.** ..... **D16/219; D16/202**  
(58) **Field of Classification Search** ..... D16/200–205,  
D16/208, 218, 219; 348/373–376; 358/909.1;  
396/535–541  
See application file for complete search history.

**DESCRIPTION**

FIG. 1 is a reduced scale top, front, right side perspective view of a digital camera showing our new design; FIG. 2 is a front elevational view thereof; FIG. 3 is a rear elevational view thereof; FIG. 4 is a left side view thereof; FIG. 5 is a right side view thereof; FIG. 6 is a top plan view thereof; and, FIG. 7 is a bottom plan view thereof.

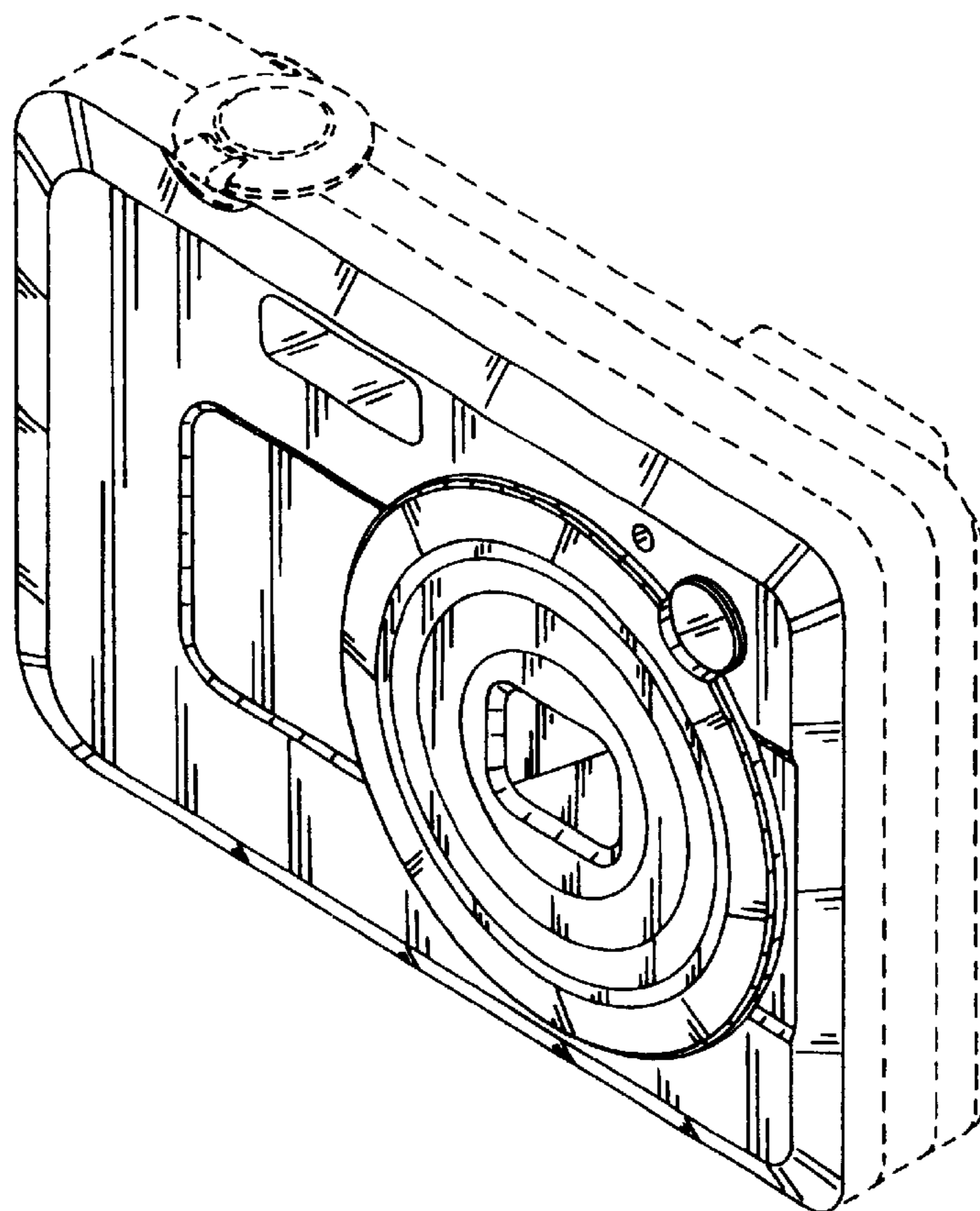
The broken line showing is for illustrative purposes only and forms no part of the claimed design.

(56) **References Cited**

**U.S. PATENT DOCUMENTS**

6,434,337 B1 \* 8/2002 Misawa ..... 358/909.1  
D481,405 S \* 10/2003 Sakaguchi ..... D16/202  
D495,350 S \* 8/2004 Yoo ..... D16/202  
D495,352 S \* 8/2004 Sakaguchi et al. .... D16/202

**1 Claim, 4 Drawing Sheets**



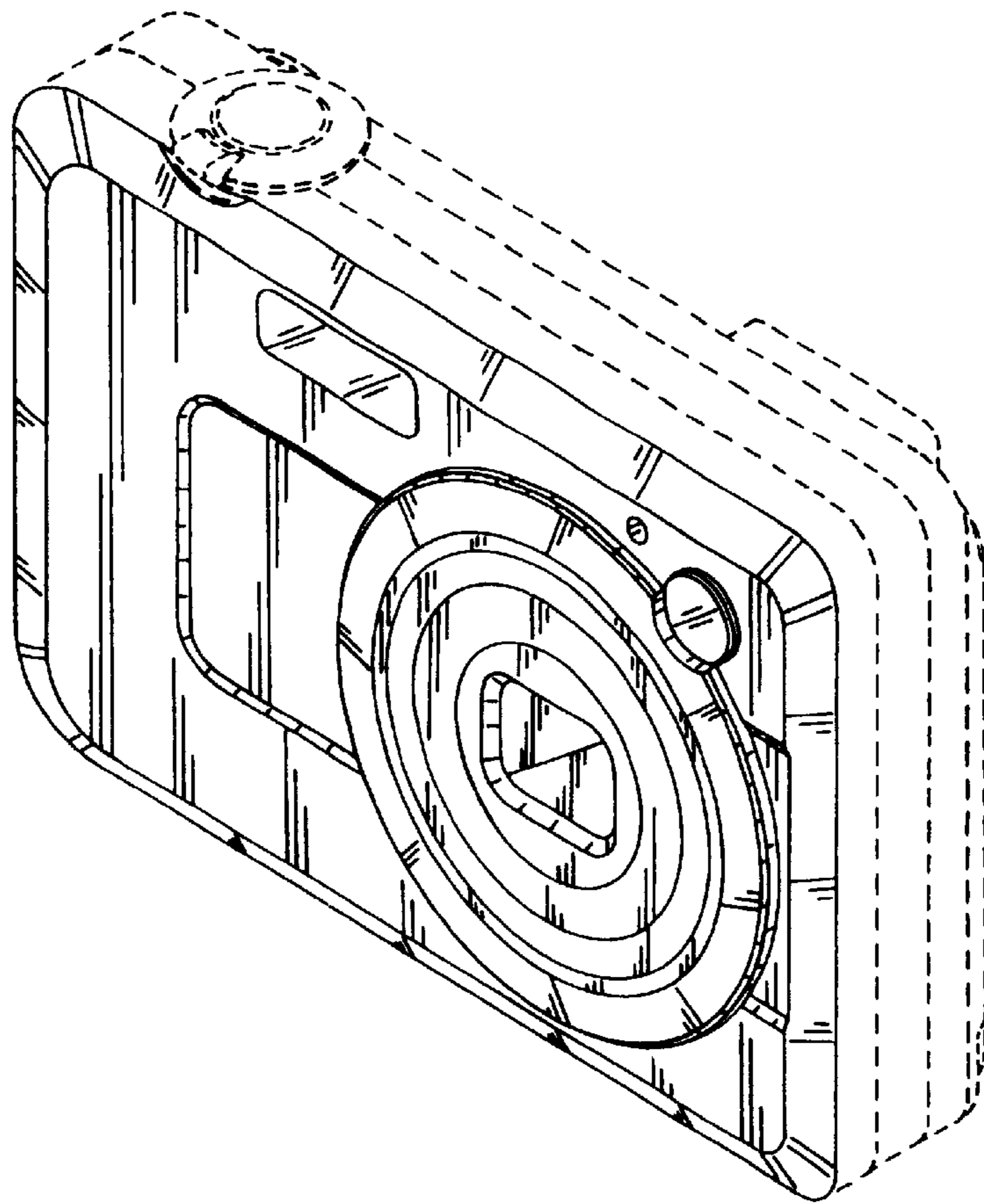


FIG. 1

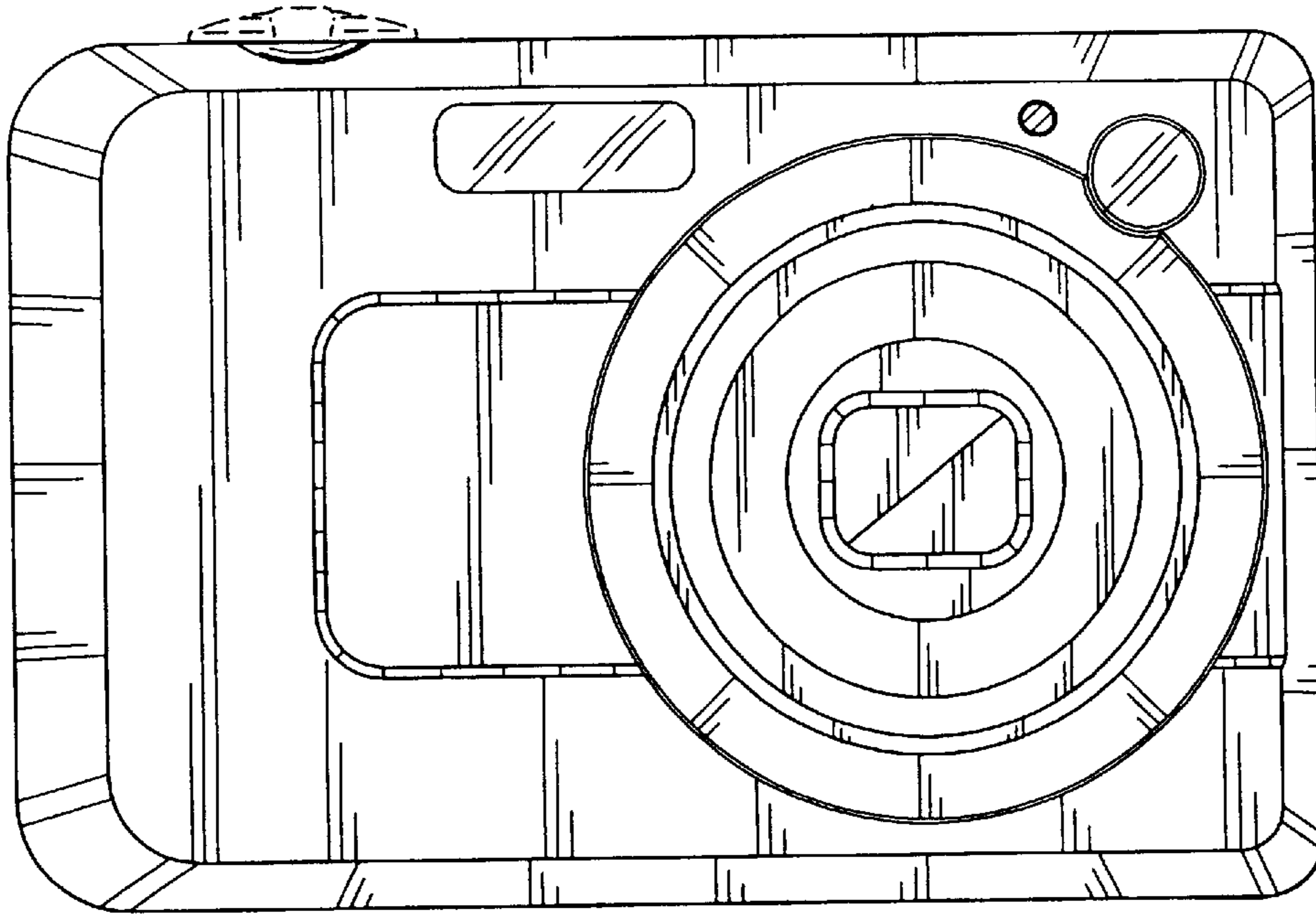


FIG. 2

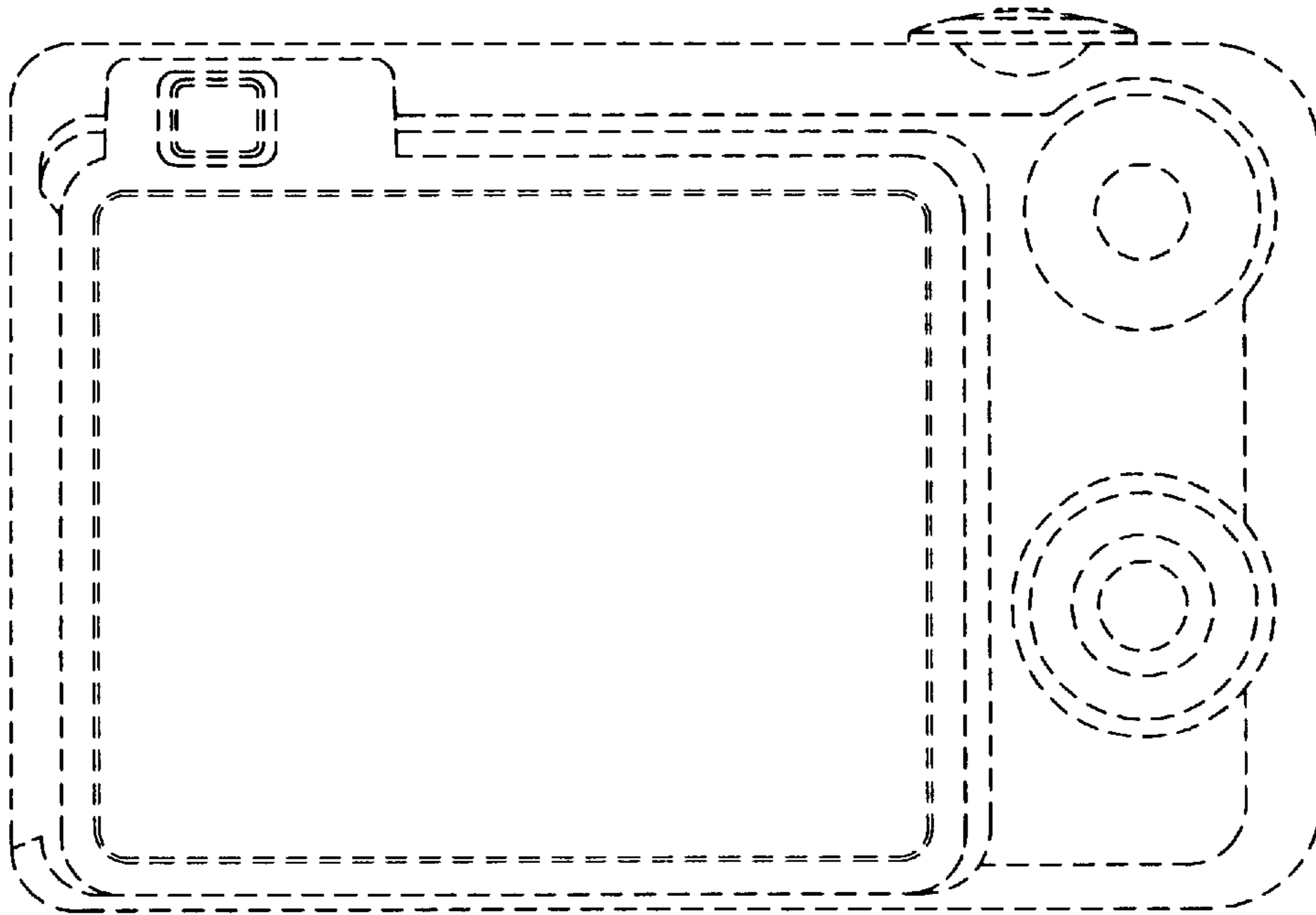


FIG. 3

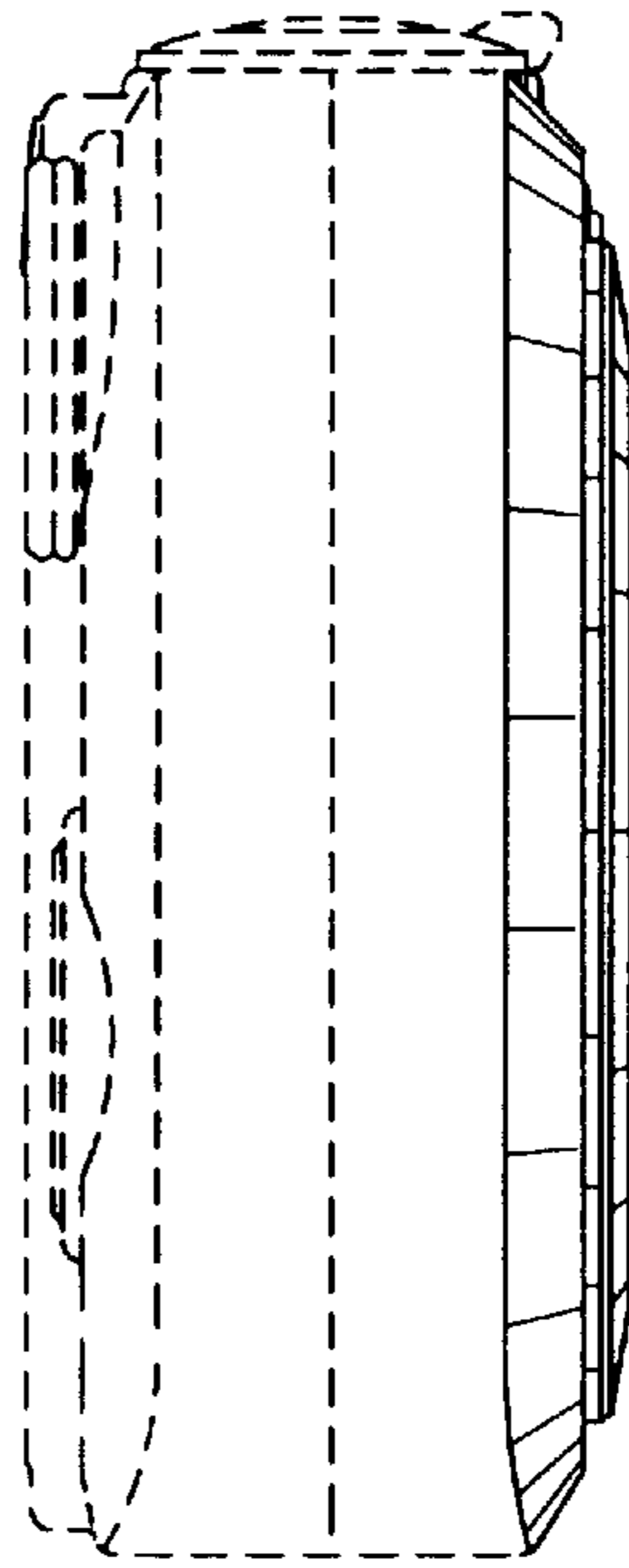


FIG. 4

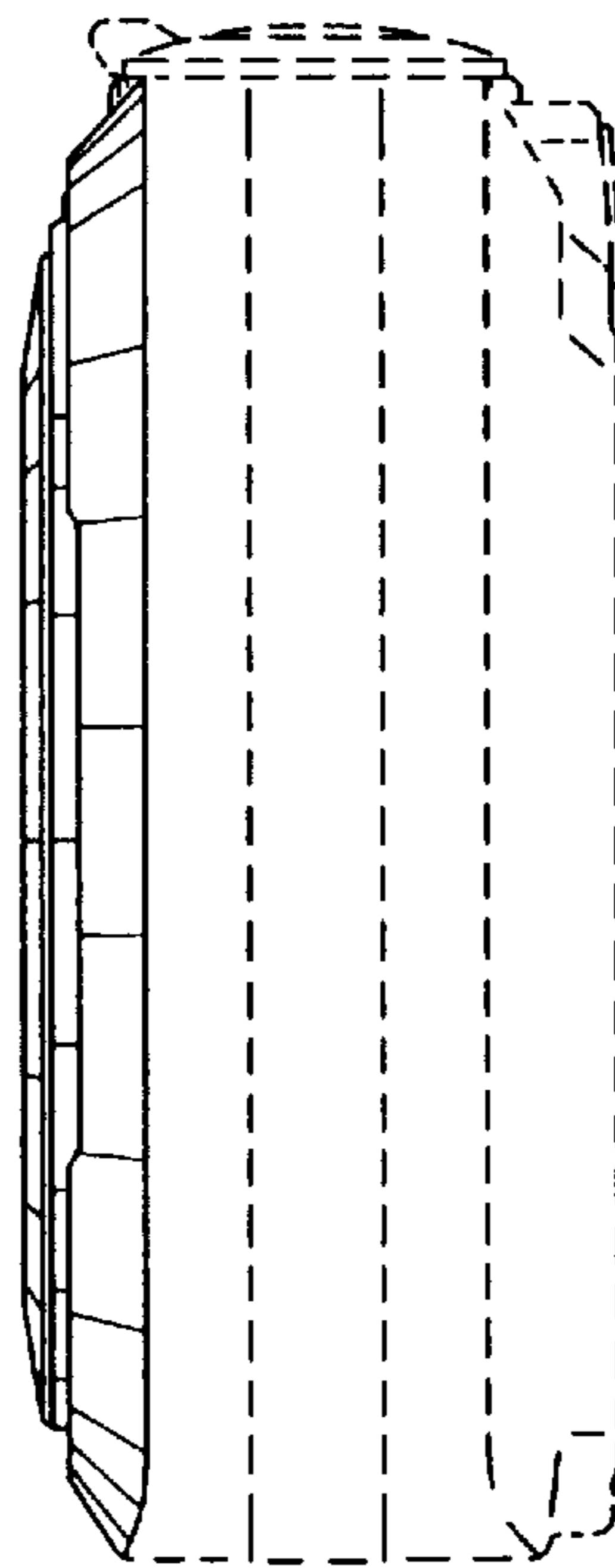


FIG. 5

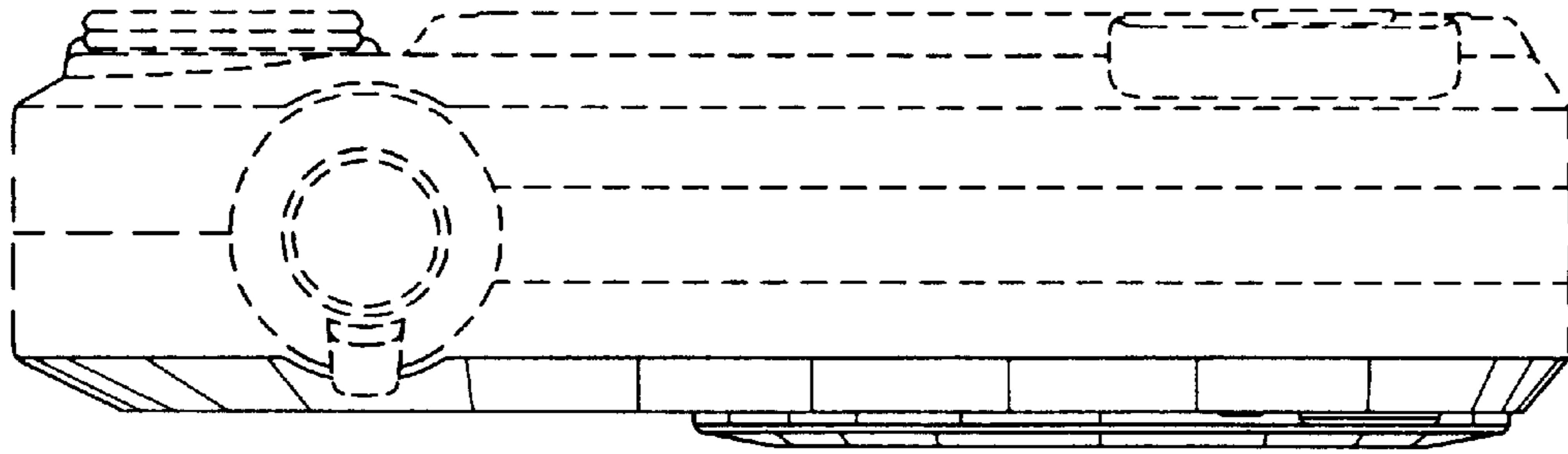


FIG. 6

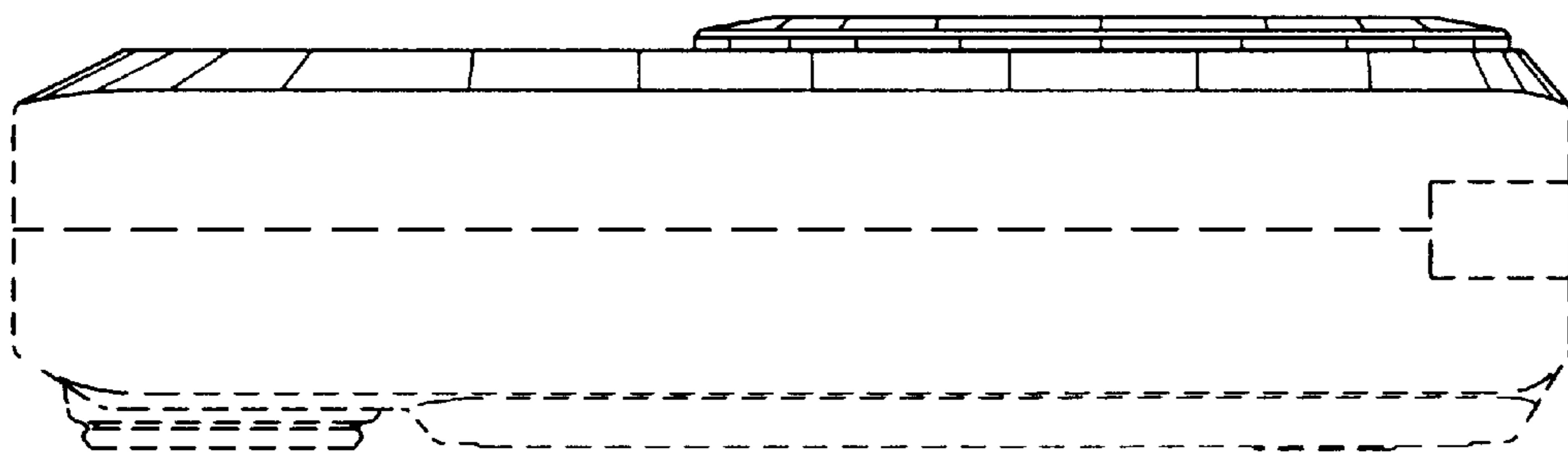


FIG. 7