

US00D525270S

(12) **United States Design Patent**  
**Bundschuh**

(10) **Patent No.:** **US D525,270 S**

(45) **Date of Patent:** **\*\* Jul. 18, 2006**

(54) **POST PRESS MACHINE**

(75) Inventor: **Marc Bundschuh**, Heidelberg (DE)

(73) Assignee: **Heidelberger Druckmaschinen AG**,  
Heidelberg (DE)

(\*\*) Term: **14 Years**

(21) Appl. No.: **29/206,650**

(22) Filed: **Jun. 1, 2004**

(30) **Foreign Application Priority Data**

Dec. 1, 2003 (EM) ..... 000108576

(51) **LOC (8) Cl.** ..... **15-09**

(52) **U.S. Cl.** ..... **D15/123**

(58) **Field of Classification Search** ..... D15/123;  
156/123; 264/109-128, 320

See application file for complete search history.

(56) **References Cited**

**U.S. PATENT DOCUMENTS**

- 4,073,672 A \* 2/1978 Clarke et al. .... 156/219
- 4,175,105 A \* 11/1979 Luck et al. .... 264/112
- 4,175,106 A \* 11/1979 Clarke et al. .... 264/118

- 4,547,255 A \* 10/1985 Yow ..... 156/580
- 5,049,334 A \* 9/1991 Bach ..... 264/122
- D331,414 S \* 12/1992 Long ..... D15/123
- 6,938,662 B1 \* 9/2005 Jung ..... 156/580

\* cited by examiner

*Primary Examiner*—Antoine D. Davis

*Assistant Examiner*—Patricia Palasik

(74) *Attorney, Agent, or Firm*—Laurence A. Greenberg;  
Werner H. Stemer; Ralph E. Locher

(57) **CLAIM**

The ornamental design for a post press machine, as shown and described.

**DESCRIPTION**

FIG. 1 is a front, right perspective view of the post press machine;

FIG. 2 is a top side view thereof;

FIG. 3 is a left side view thereof;

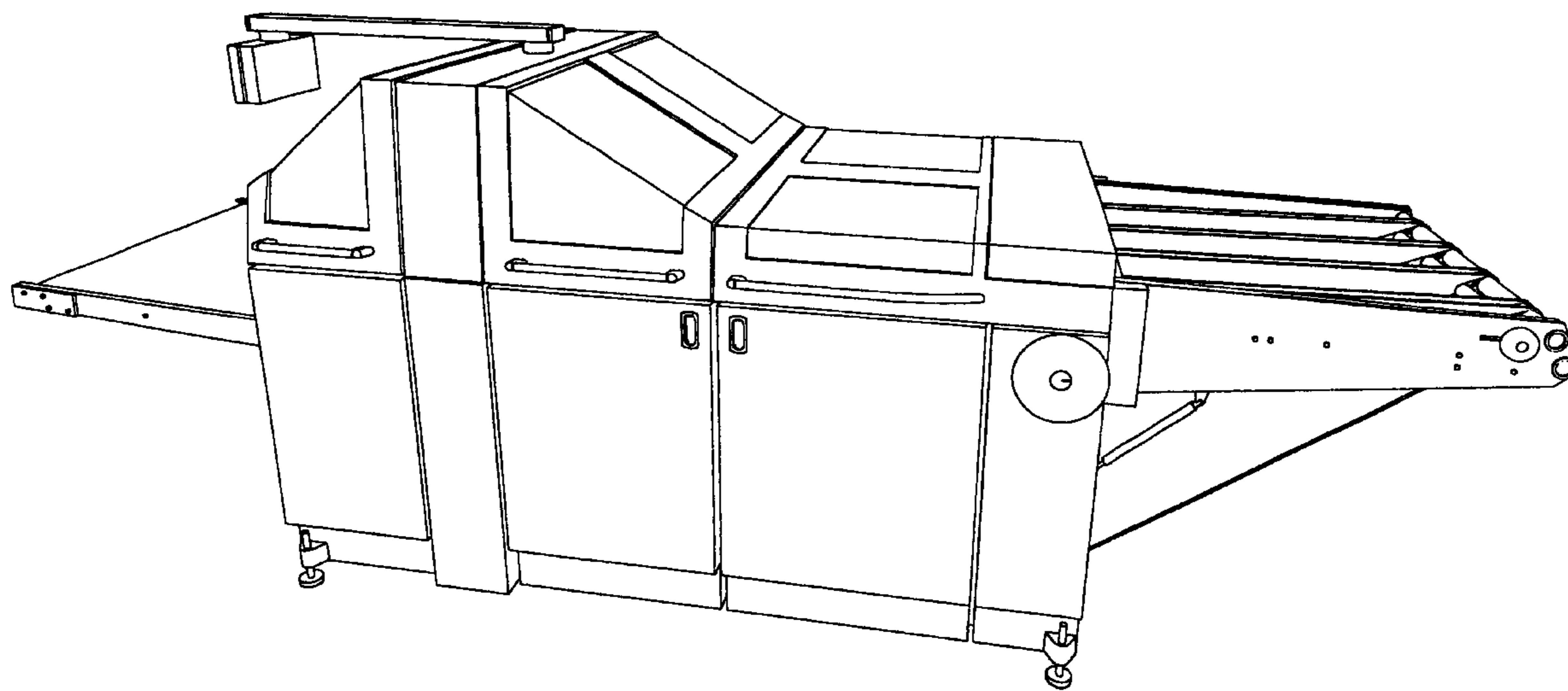
FIG. 4 is a right side view thereof;

FIG. 5 is a front side view thereof; and,

FIG. 6 is a rear side view thereof.

The invention includes a plain and unornamented bottom, which is not shown.

**1 Claim, 6 Drawing Sheets**



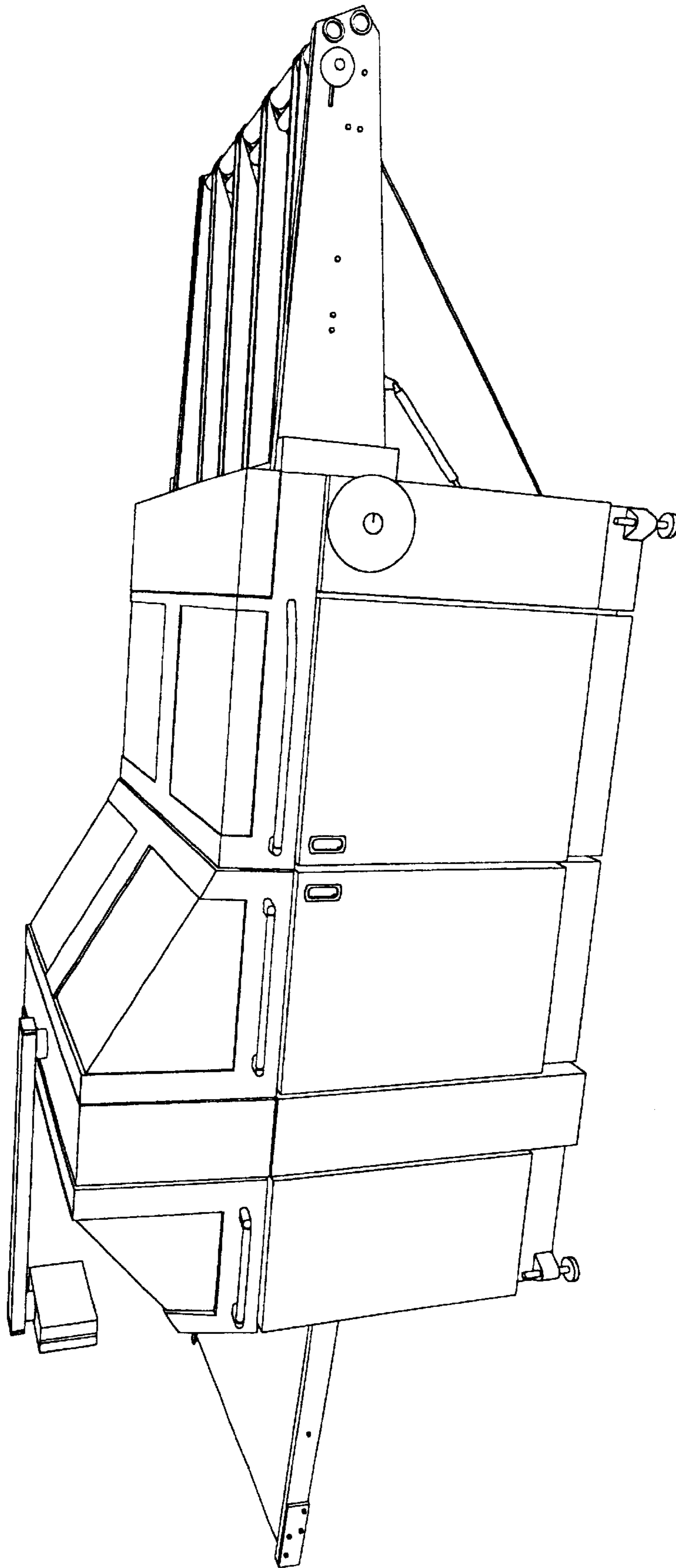


FIG. 1

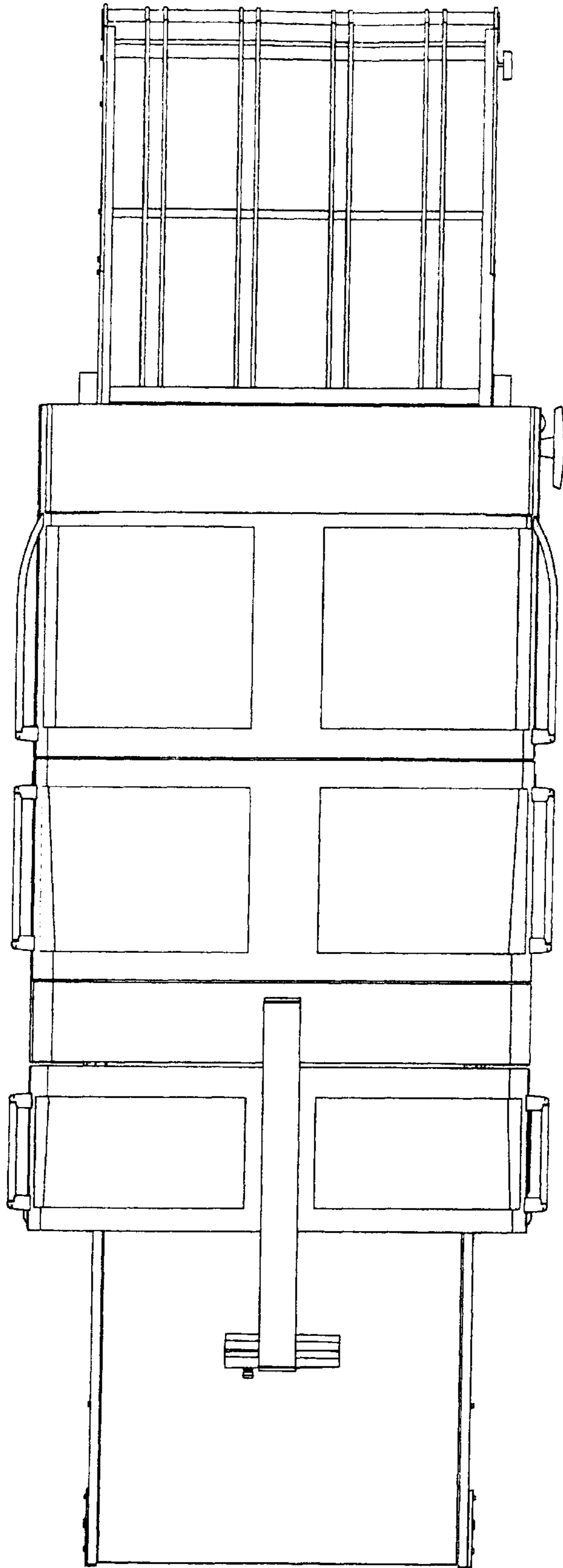


FIG. 2

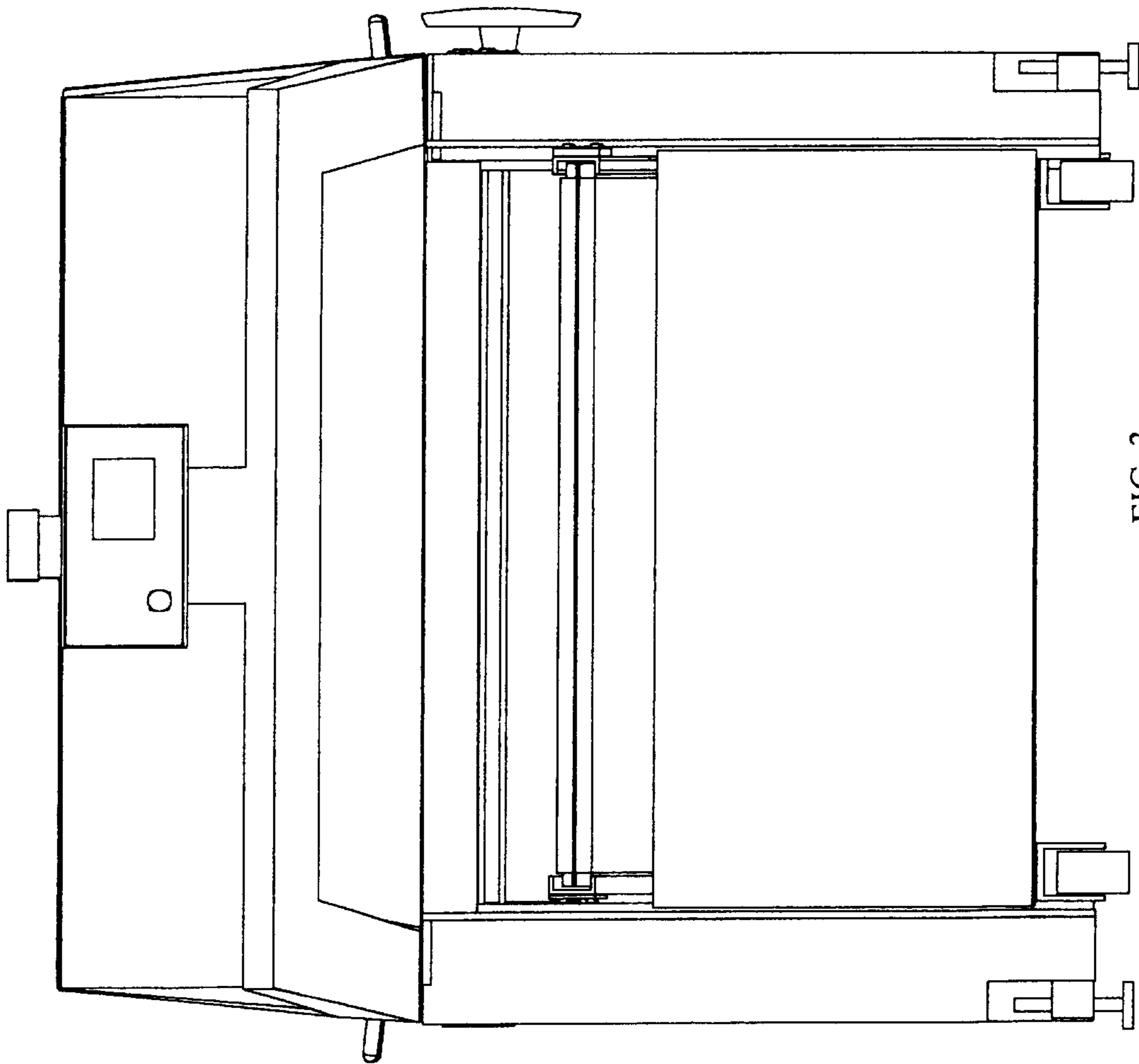


FIG. 3

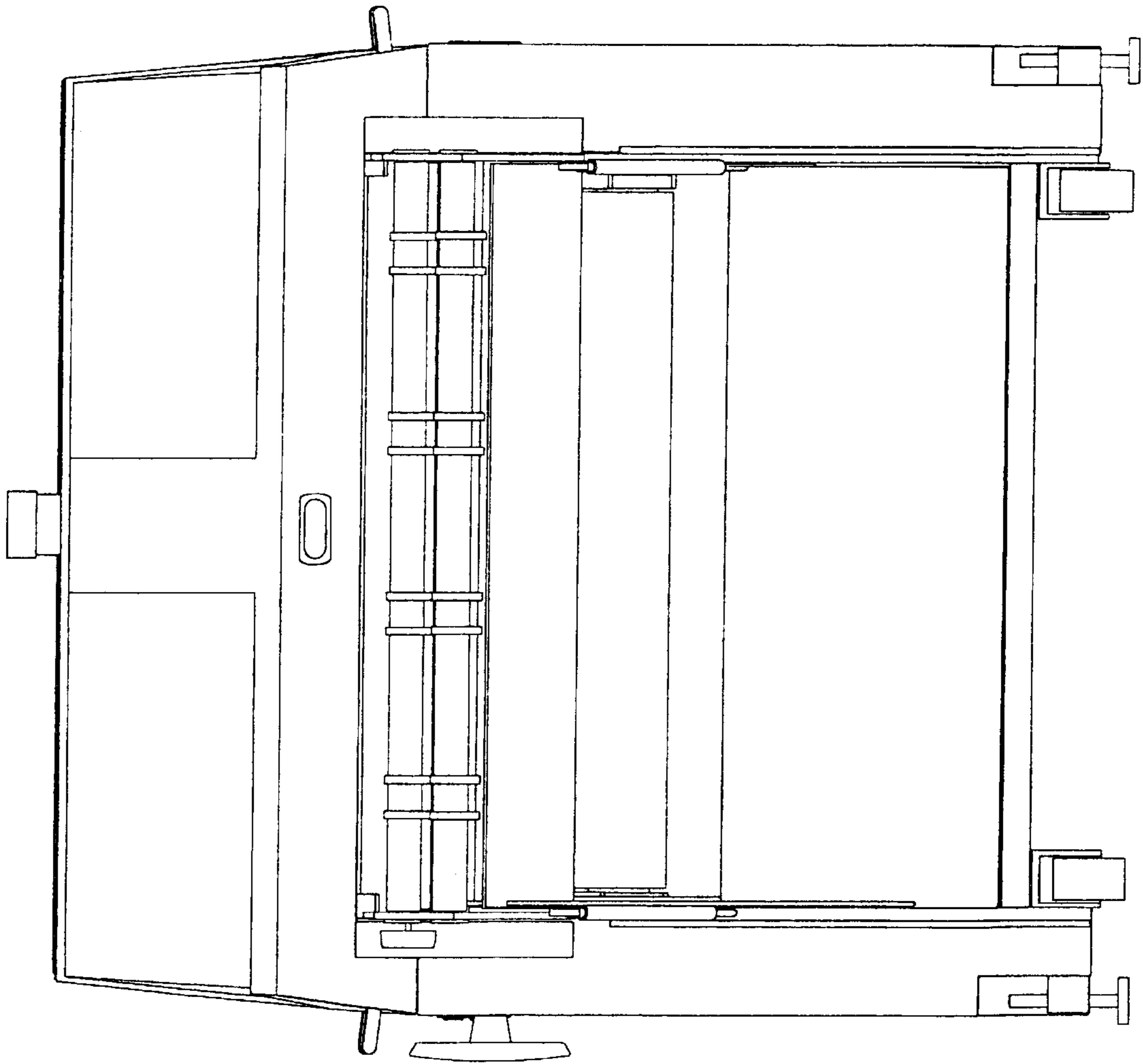


FIG. 4

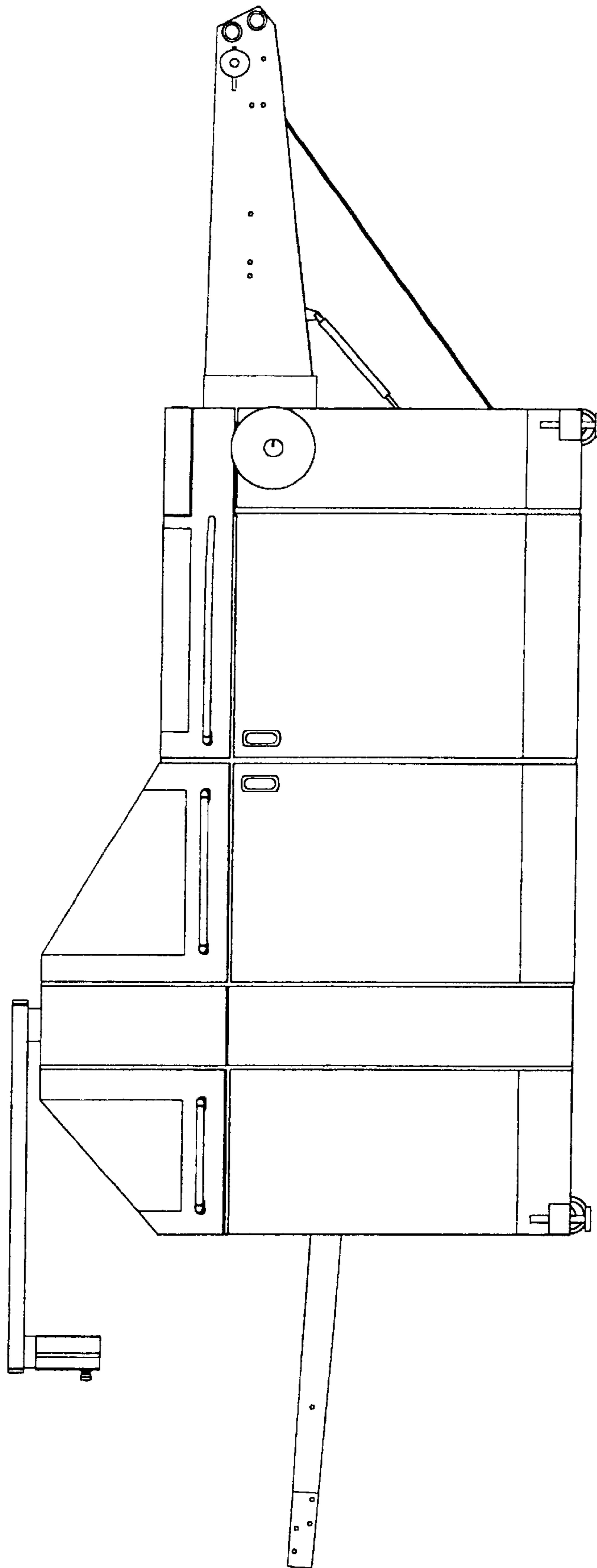


FIG. 5

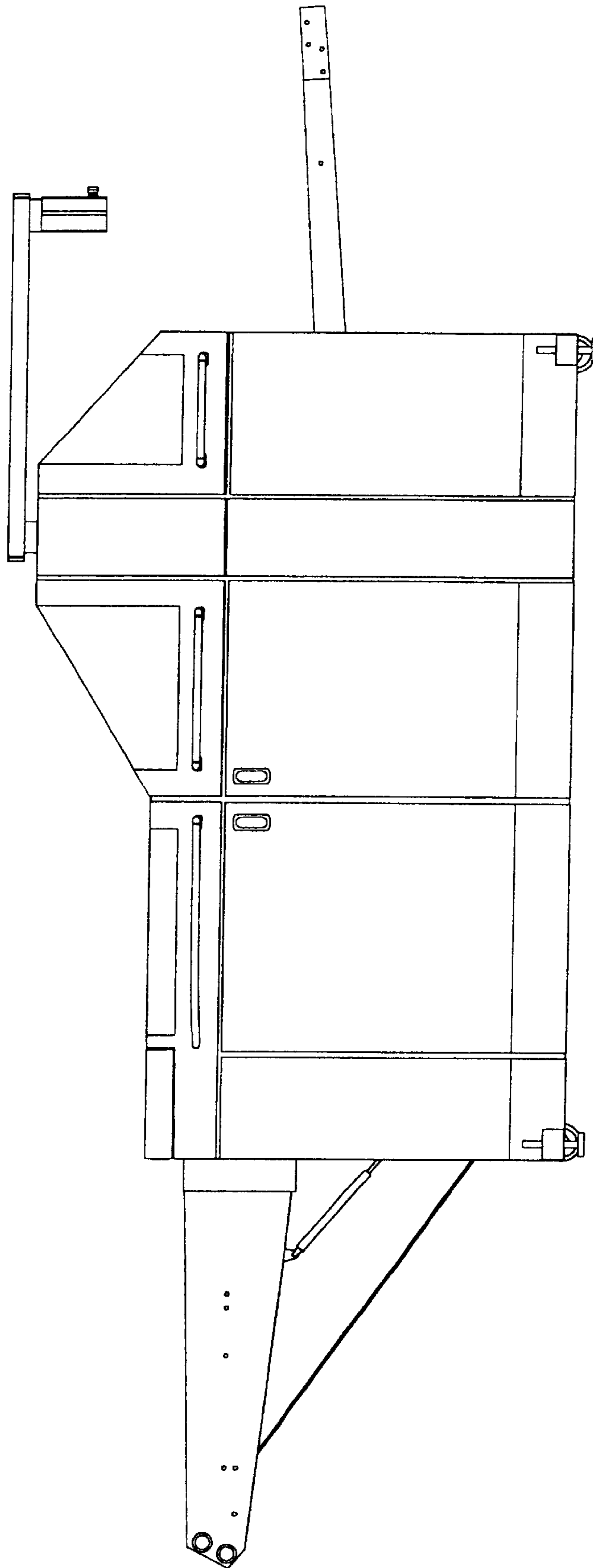


FIG. 6