

US00D525268S

(12) **United States Design Patent**
Stahel et al.

(10) **Patent No.:** **US D525,268 S**

(45) **Date of Patent:** **** Jul. 18, 2006**

(54) **TIMING CHAIN COVER FOR A
MOTORCYCLE ENGINE**

2002/0195091 A1 * 12/2002 Baek 123/572

OTHER PUBLICATIONS

(75) Inventors: **Alwin J. Stahel**, St. Paul, MN (US);
Brian K. Stahel, New Brighton, MN
(US)

Kuryakyn Metric Cruisers Catalog, published 2002, cover
page and inside cover (in black and white), and pp. 43–52 (in
full color originals).

(73) Assignee: **Kuryakyn Holdings, Inc.**, Somerset,
WI (US)

* cited by examiner

(**) Term: **14 Years**

Primary Examiner—Ian Simmons

Assistant Examiner—Maurice Stevens

(21) Appl. No.: **29/221,613**

(74) *Attorney, Agent, or Firm*—Dicke, Billig & Czaja

(22) Filed: **Jan. 18, 2005**

(57) **CLAIM**

(51) **LOC (8) Cl.** **15-01**

The ornamental design for a timing chain cover for a
motorcycle engine, as shown and described.

(52) **U.S. Cl.** **D15/5**

DESCRIPTION

(58) **Field of Classification Search** D15/1–5;
D12/114, 126, 127; 180/219, 231; 123/195 C,
123/90.31; 280/288.4

FIG. 1 is a perspective view of a timing chain cover for a
motorcycle engine embodying our new design, the dotted
lines representations form no part of the claimed design;
FIG. 2 is a top plan view;
FIG. 3 is a right side view thereof;
FIG. 4 is a front elevational view thereof;
FIG. 5 is a rear elevational view thereof;
FIG. 6 is a left side view thereof; and,
FIG. 7 is a bottom plan view thereof.

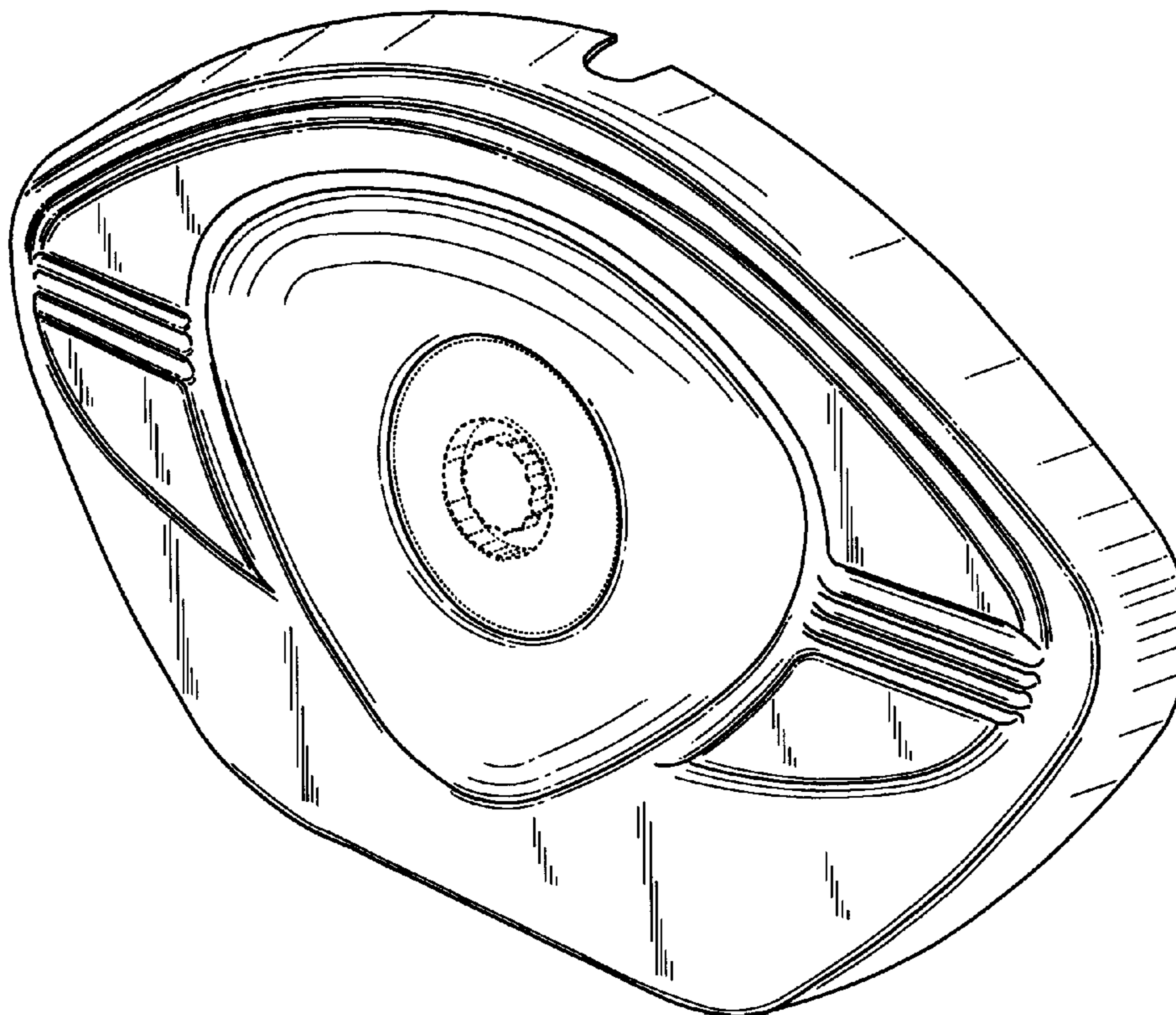
See application file for complete search history.

(56) **References Cited**

U.S. PATENT DOCUMENTS

D273,947 S * 5/1984 Johnson D12/127
D320,024 S * 9/1991 Segal D15/5
D354,463 S * 1/1995 Davidson et al. D12/127
D364,130 S * 11/1995 Davidson et al. D12/127
6,845,742 B1 * 1/2005 Baek 123/195 C

1 Claim, 6 Drawing Sheets



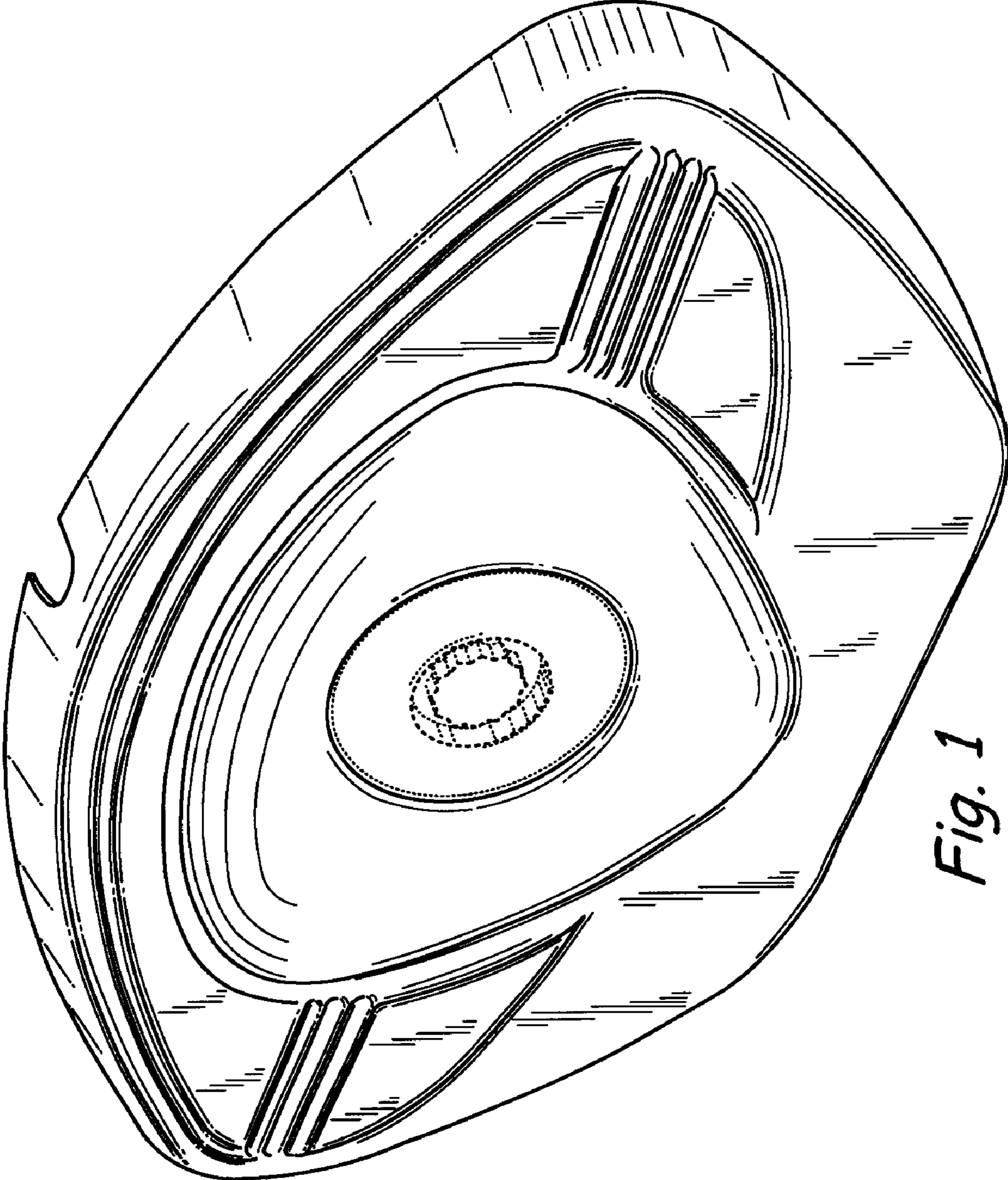


Fig. 1

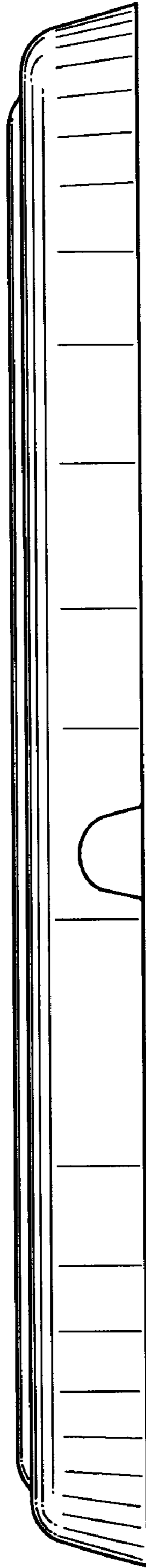


Fig. 2

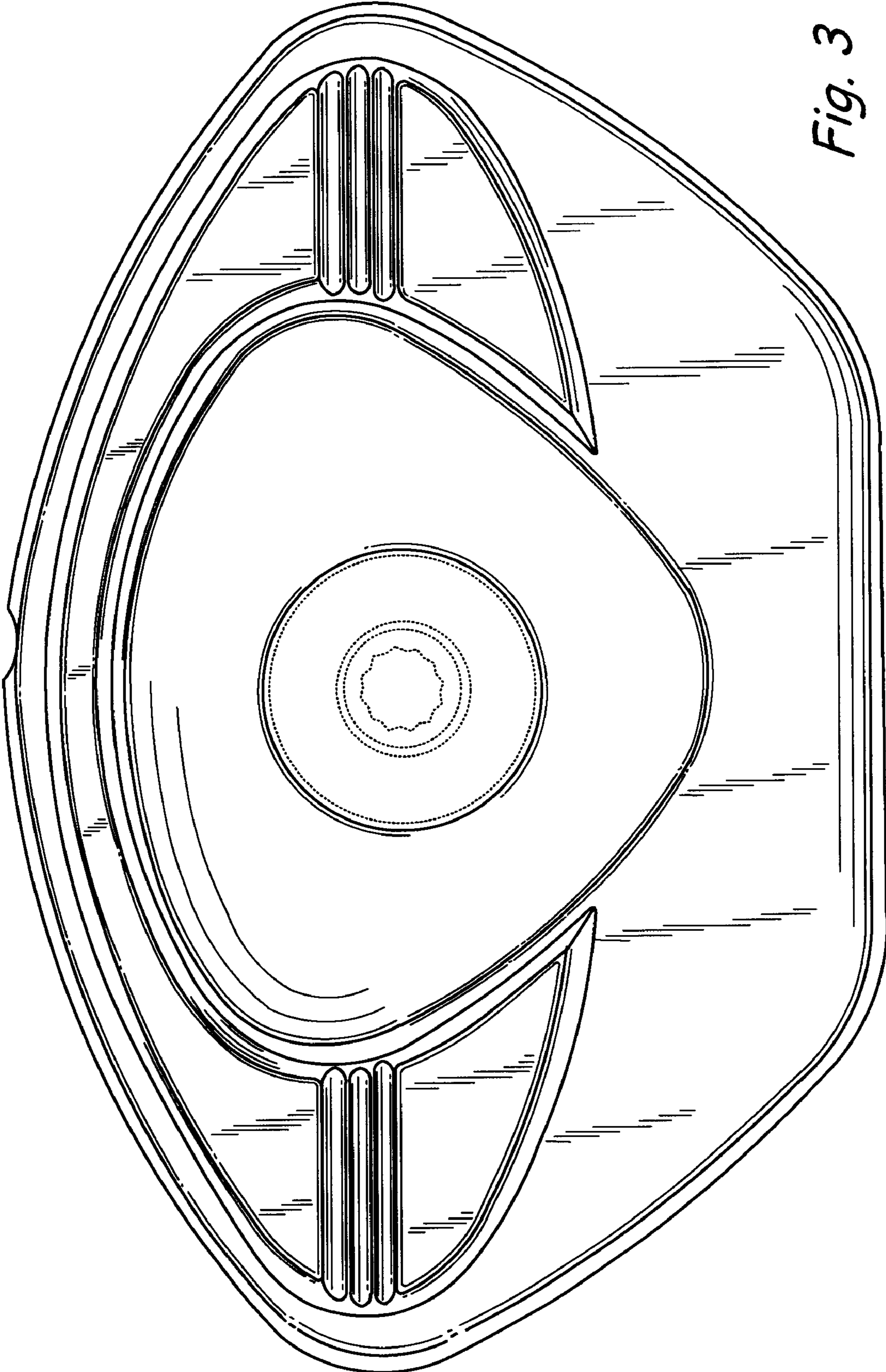


Fig. 3

Fig. 5

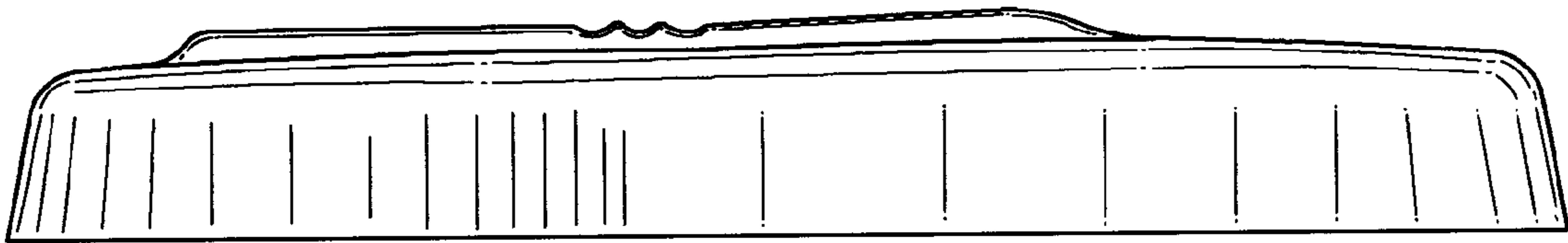
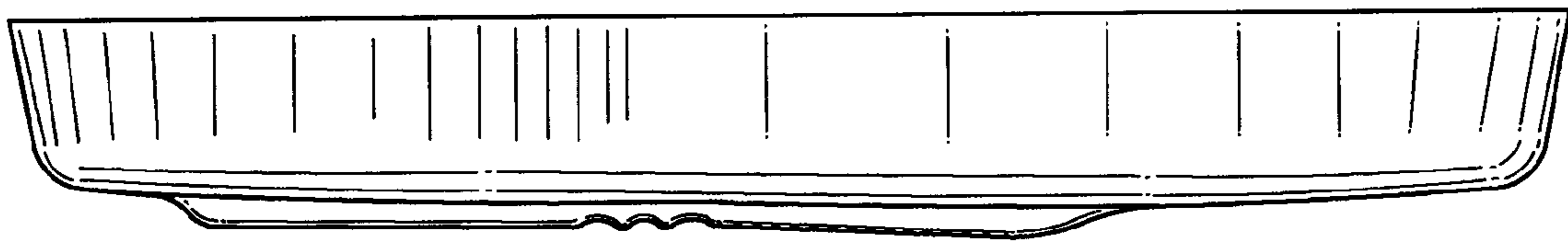


Fig. 4



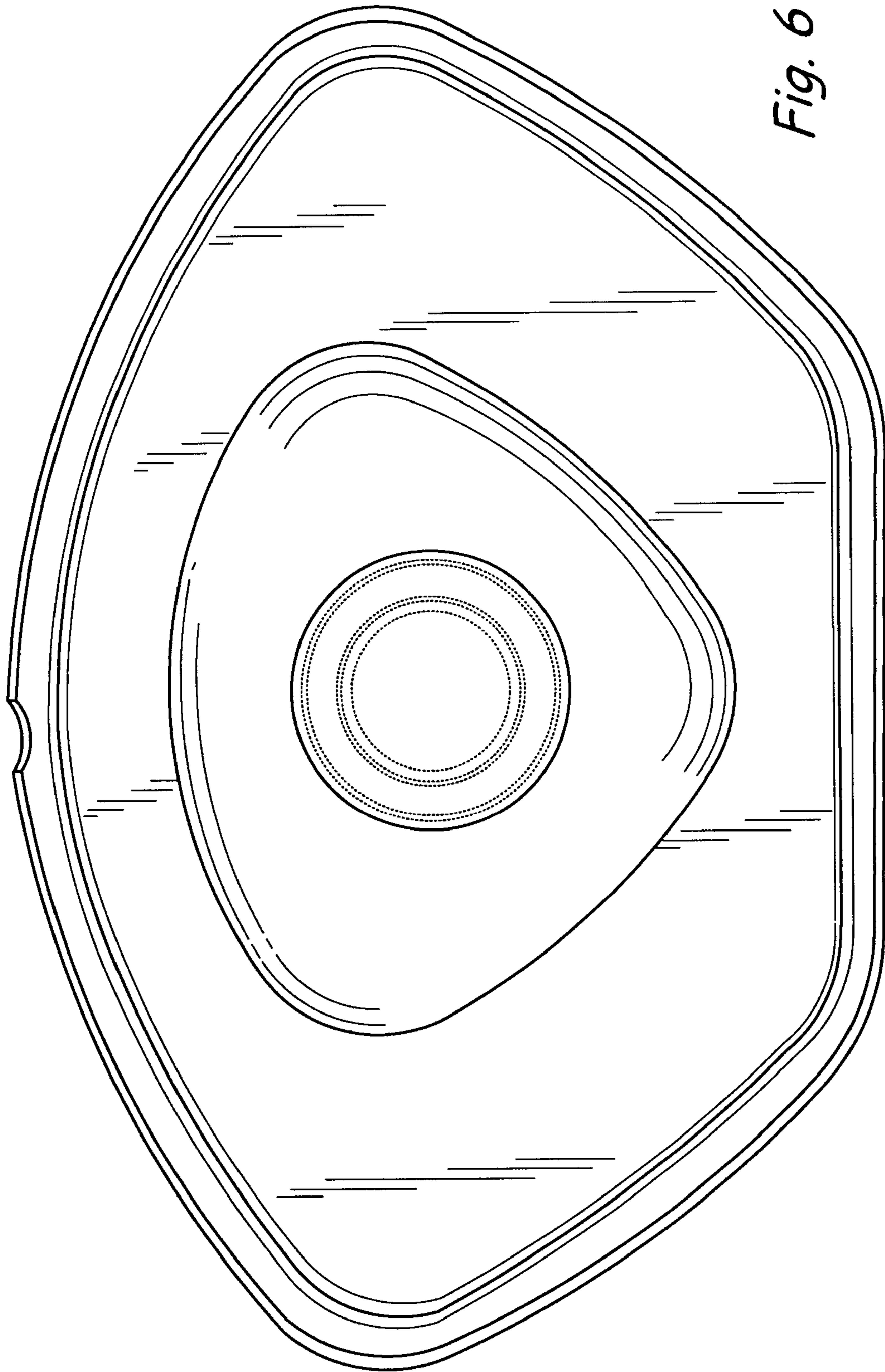


Fig. 6

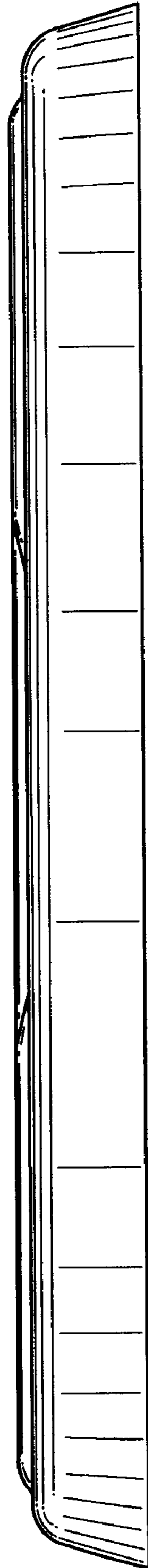


Fig. 7