



US00D525262S

(12) **United States Design Patent**
Boswell et al.

(10) **Patent No.:** **US D525,262 S**
(45) **Date of Patent:** **** Jul. 18, 2006**

(54) **CONSOLE FOR SURVEILLANCE SYSTEM CONTROLLER**

D448,378 S * 9/2001 Arnold et al. D14/396
D475,050 S * 5/2003 Klein D14/391
D487,466 S * 3/2004 Yokota D14/454

(75) Inventors: **Richard Todd Boswell**, Fresno, CA (US); **Greg Max Millar**, Coarsegold, CA (US); **Brian Rudolf Grziwok**, San Francisco, CA (US)

OTHER PUBLICATIONS

Product Specification: "KBD300A Keyboard, Full-Functionality, Fixed/Variable Speed, PTZ Control", Pelco DataFax, Spec: 2527, Rev. Oct. 2003.

(73) Assignee: **Pelco**, Clovis, CA (US)

* cited by examiner

(**) Term: **14 Years**

Primary Examiner—Freda S. Nunn

(21) Appl. No.: **29/206,072**

(74) Attorney, Agent, or Firm—Gunster, Yoakley & Stewart, P.A.

(22) Filed: **May 25, 2004**

(57) **CLAIM**

(51) **LOC (8) Cl.** **14-02**

The ornamental design for a console for surveillance system controller, as shown and described.

(52) **U.S. Cl.** **D14/454**

(58) **Field of Classification Search** D14/356-358, D14/388, 391, 396-401, 217, 432, 454, 455, D14/218, 247; D18/1, 2, 7, 11; 200/5 A, 200/5 R, 6 A, 6 R; 235/145 A, 145 R; 341/22, 341/23; 345/160, 168; 400/484-489, 682; D10/104

DESCRIPTION

See application file for complete search history.

FIG. 1 is a perspective view of a console for surveillance system controller showing our new design; FIG. 2 is a top plan view thereof; FIG. 3 is a bottom plan view thereof; FIG. 4 is a right side elevational view thereof; and, FIG. 5 is a back elevational view thereof.

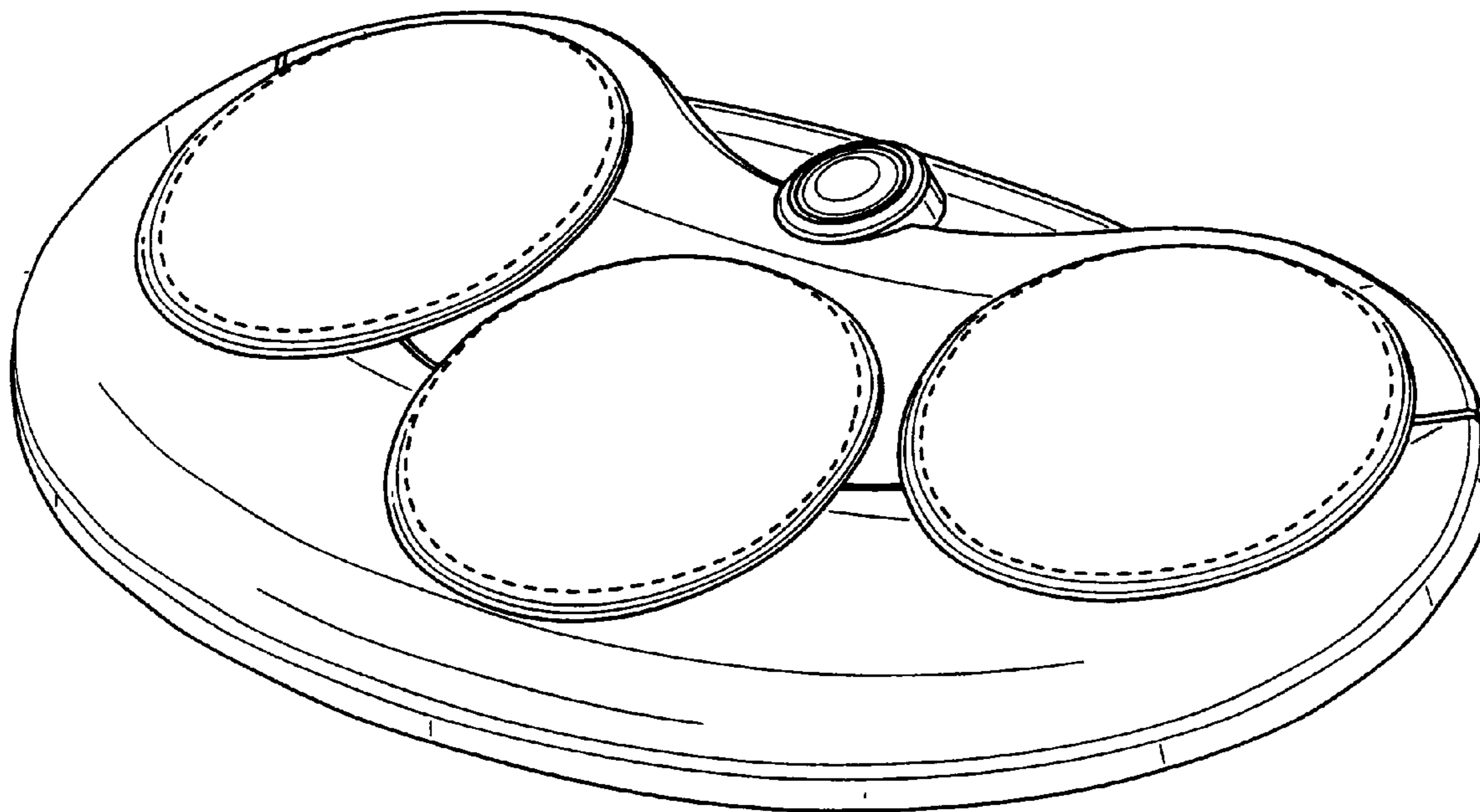
(56) **References Cited**

U.S. PATENT DOCUMENTS

D368,478 S * 4/1996 Bernstein et al. D14/247
D385,854 S * 11/1997 Sumii D14/399
D411,530 S 6/1999 Carter et al.
D441,760 S * 5/2001 Hibino D14/454

The left side of the console for surveillance system controller is a mirror image of the right side displayed in FIG. 4. The portions shown in broken lines do not form any part of the claimed design.

1 Claim, 5 Drawing Sheets



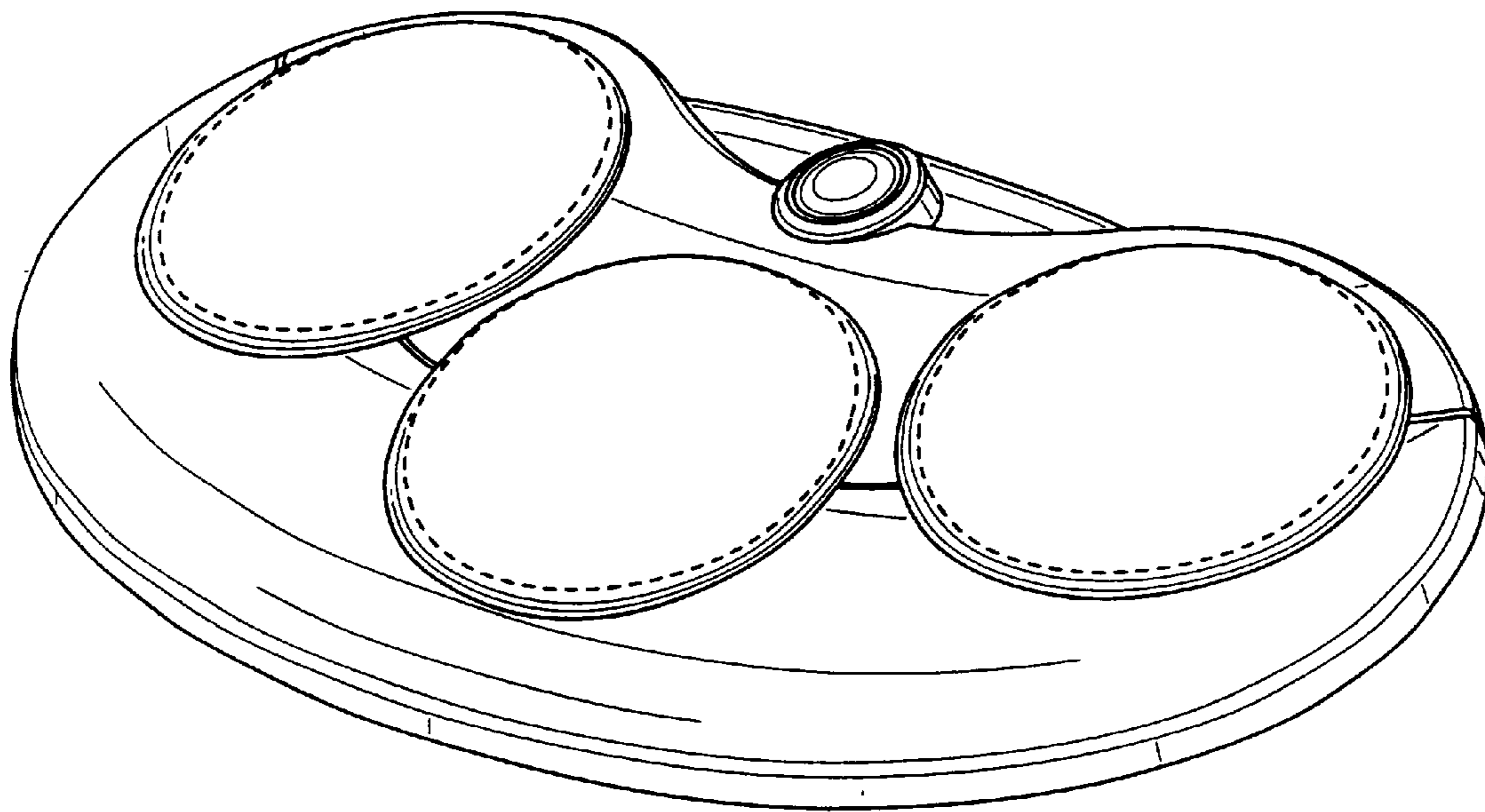


FIG. 1

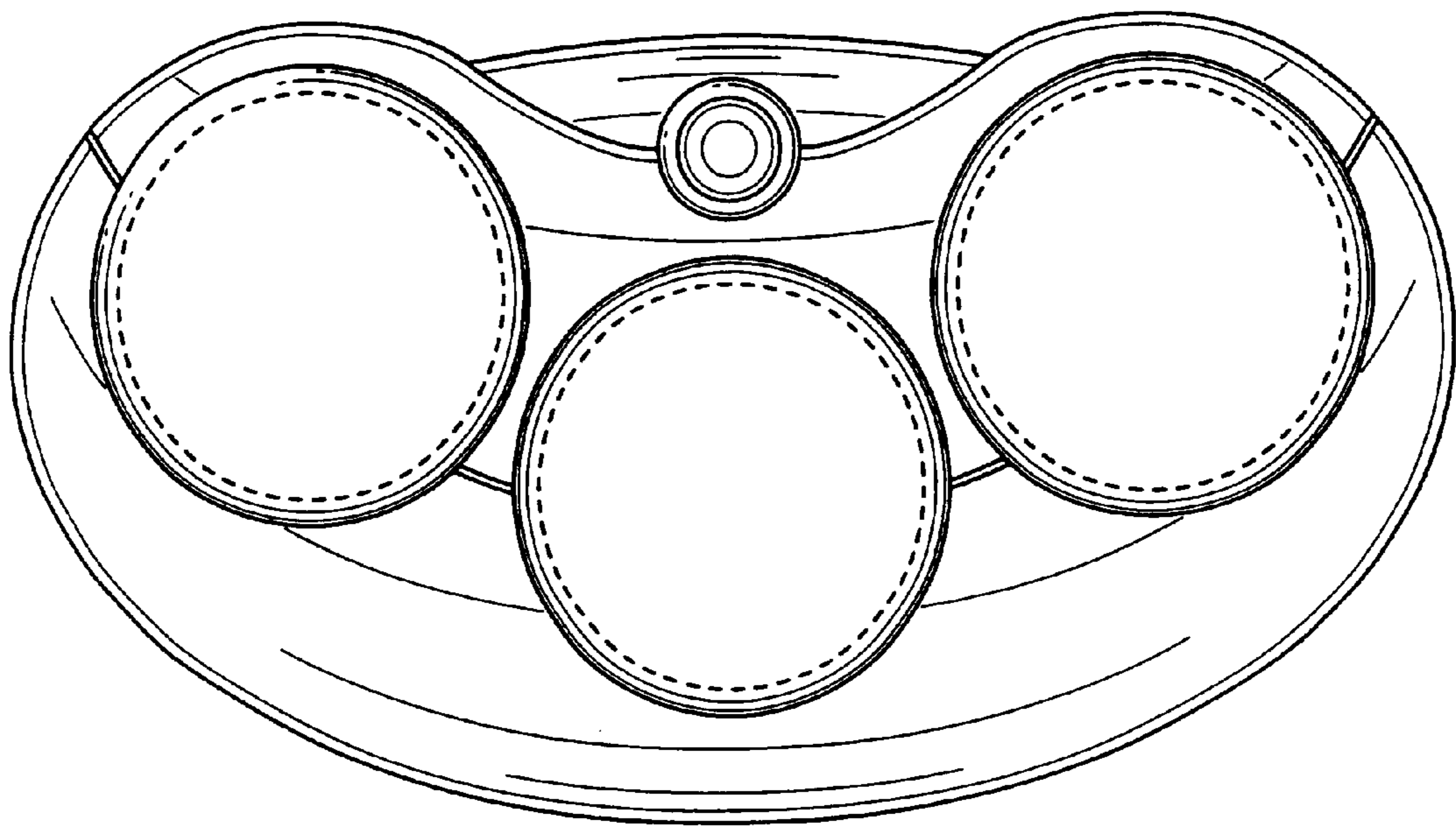


FIG. 2

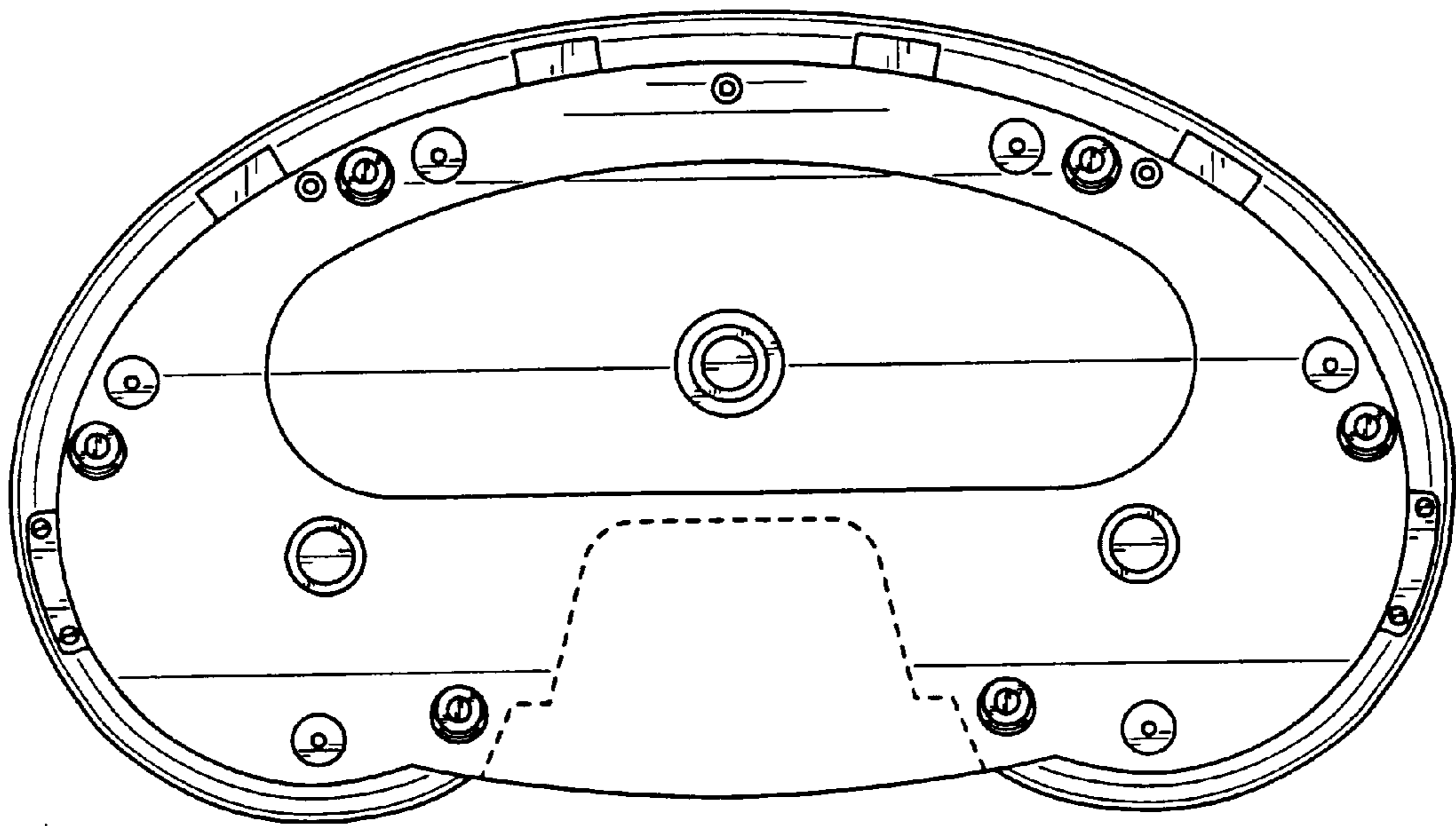


FIG. 3

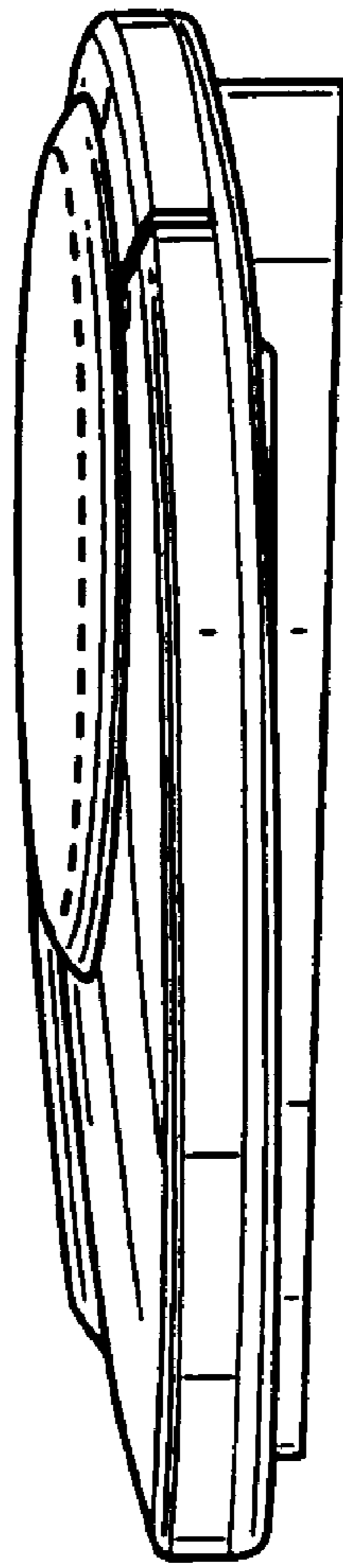


FIG. 4

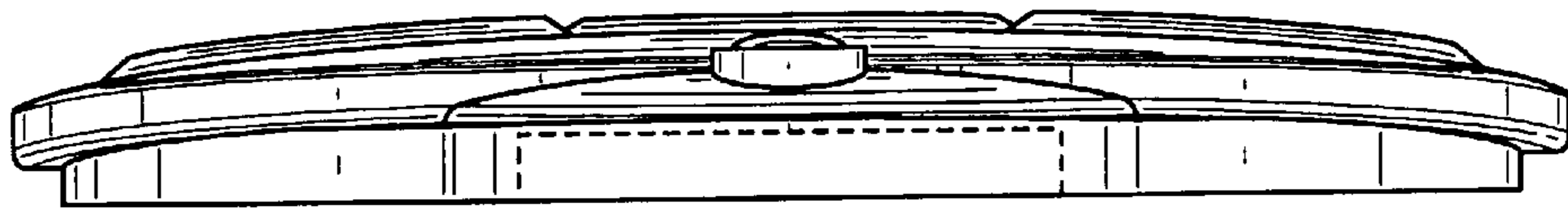


FIG. 5