



US00D525247S

(12) **United States Design Patent**  
**Rubin et al.**

(10) **Patent No.:** **US D525,247 S**  
(45) **Date of Patent:** **\*\* Jul. 18, 2006**

(54) **MICRO-PRO FLASH DRIVE**  
(75) Inventors: **Bennett S. Rubin**, Pepper Pike, OH  
(US); **Ronald Rich**, Burton, OH (US)  
(73) Assignee: **Crestwood Partners, LLC**, Mayfield  
Village, OH (US)  
(\*\*) Term: **14 Years**

D480,389 S \* 10/2003 Schulz et al. .... D14/240  
D492,307 S \* 6/2004 Aqqad et al. .... D14/356  
6,763,410 B1 \* 7/2004 Yu ..... 710/74  
D500,302 S \* 12/2004 Deguchi ..... D14/167  
D513,005 S \* 12/2005 Kobayakawa ..... D14/435  
2003/0223286 A1 \* 12/2003 Lee ..... 365/200  
2004/0017635 A1 \* 1/2004 Chang et al. .... 360/97.01  
2004/0233645 A1 \* 11/2004 Chen ..... 361/737

(21) Appl. No.: **29/245,386**  
(22) Filed: **Dec. 23, 2005**

**FOREIGN PATENT DOCUMENTS**

EP 847848 A1 \* 6/1998  
WO WO 3063174 A1 \* 7/2003

\* cited by examiner

**Related U.S. Application Data**

(62) Division of application No. 29/230,442, filed on May 23,  
2005.

(51) **LOC (8) Cl.** ..... **14-02**  
(52) **U.S. Cl.** ..... **D14/435**  
(58) **Field of Classification Search** ..... D14/240,  
D14/242, 356, 433, 435-6, 474; 360/97.01;  
361/685-6, 737, 752; 439/136, 141, 147,  
439/638; 365/51, 63, 131; 710/52, 300  
See application file for complete search history.

*Primary Examiner*—Robin Webster

*Assistant Examiner*—Karen E. Patterson

(74) *Attorney, Agent, or Firm*—Smith, Gambrell & Russell,  
LLP

(57) **CLAIM**

The ornamental design for micro-pro flash drive, as shown  
and described.

(56) **References Cited**

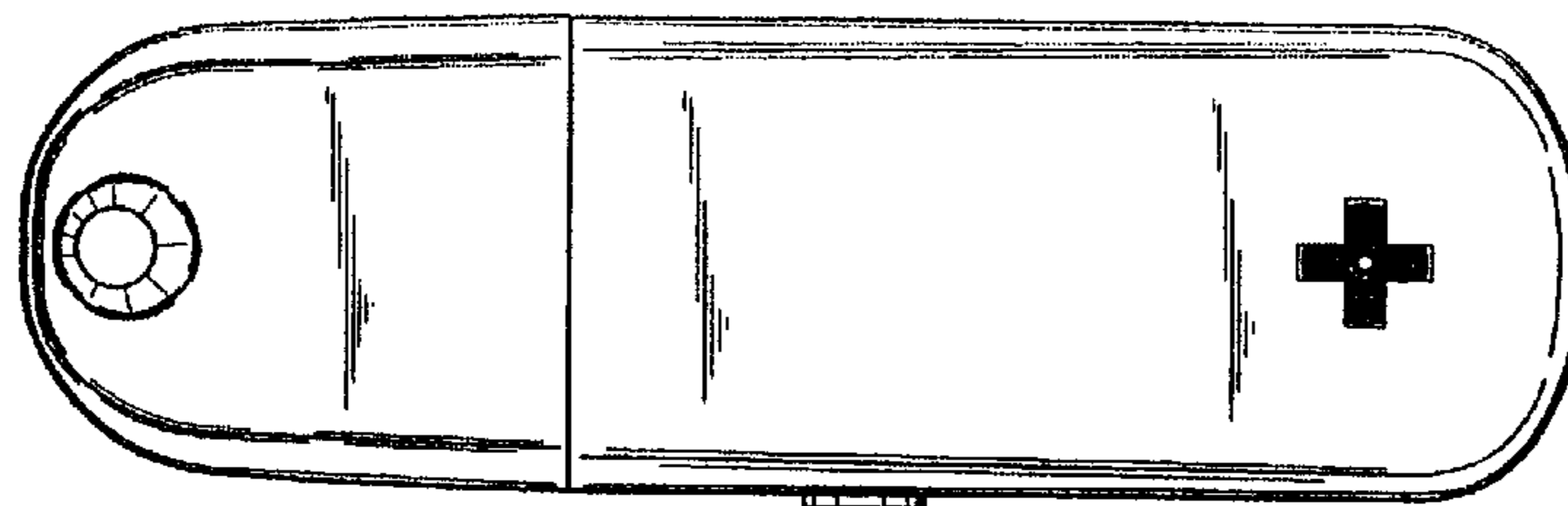
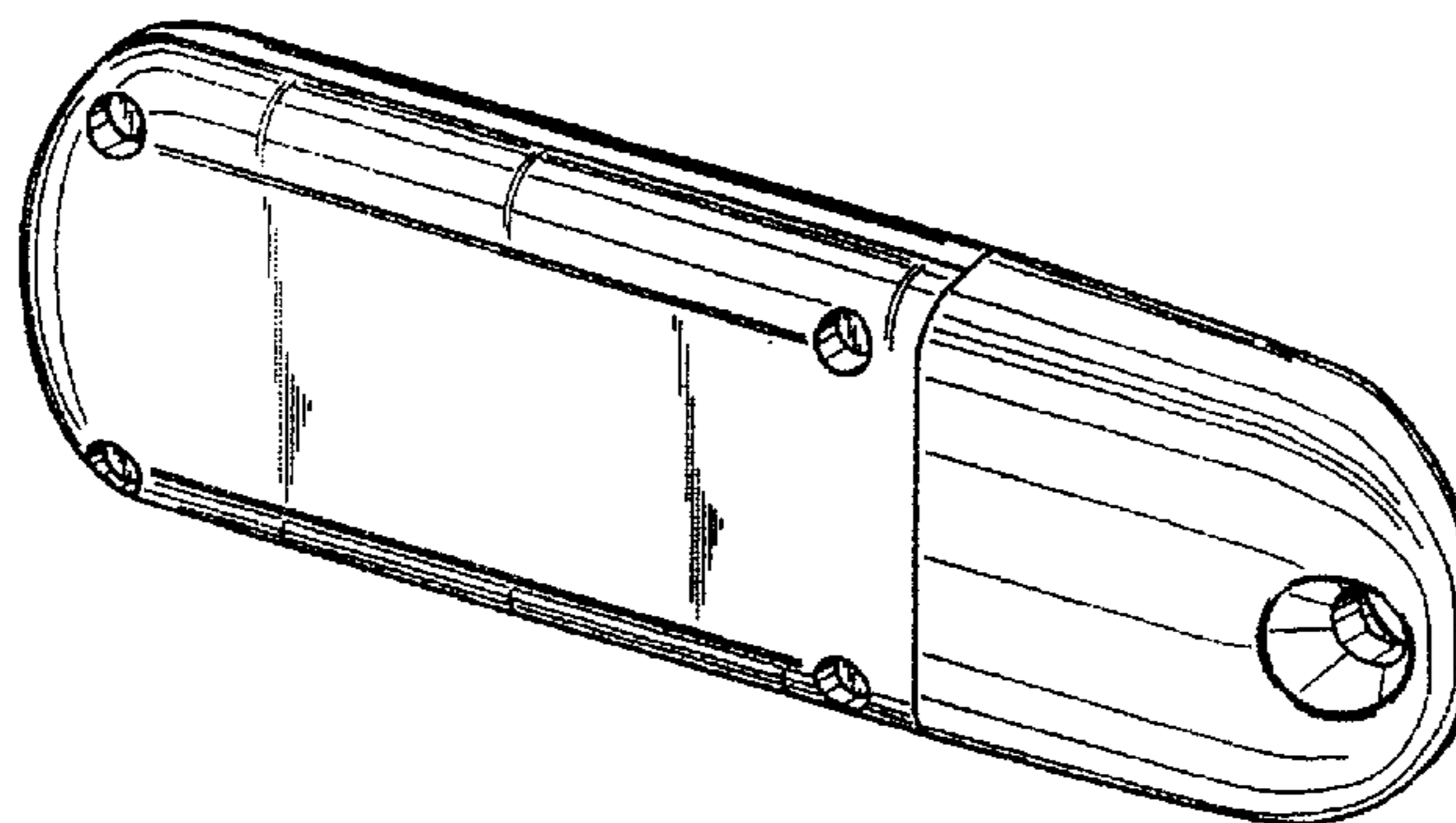
**U.S. PATENT DOCUMENTS**

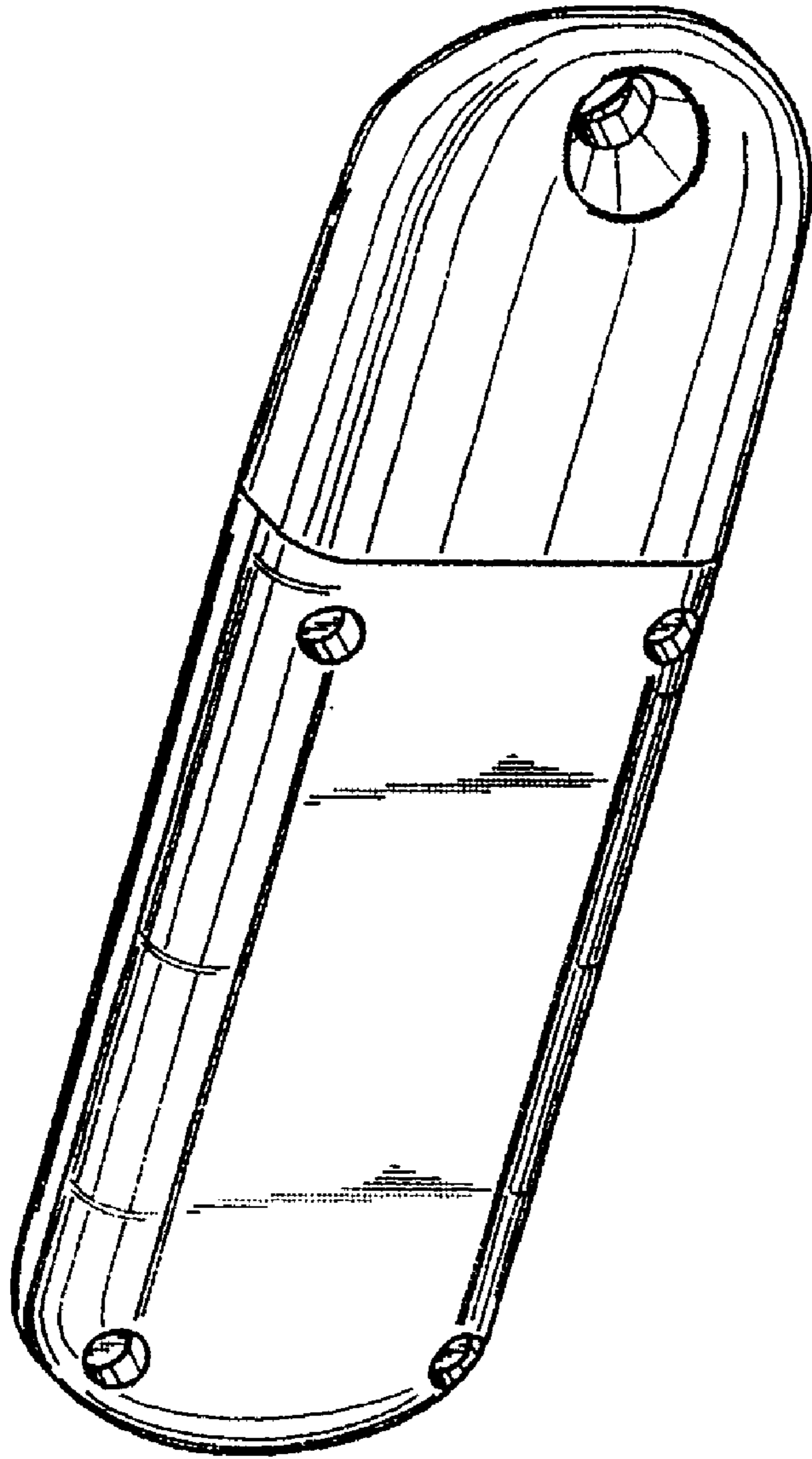
D304,191 S \* 10/1989 Sekine ..... D14/192  
5,140,108 A \* 8/1992 Miyajima ..... 174/52.1  
D372,707 S \* 8/1996 Grewe et al. .... D14/435  
D417,869 S \* 12/1999 Yasutomi ..... D14/168  
6,522,534 B1 \* 2/2003 Wu ..... 361/686

**DESCRIPTION**

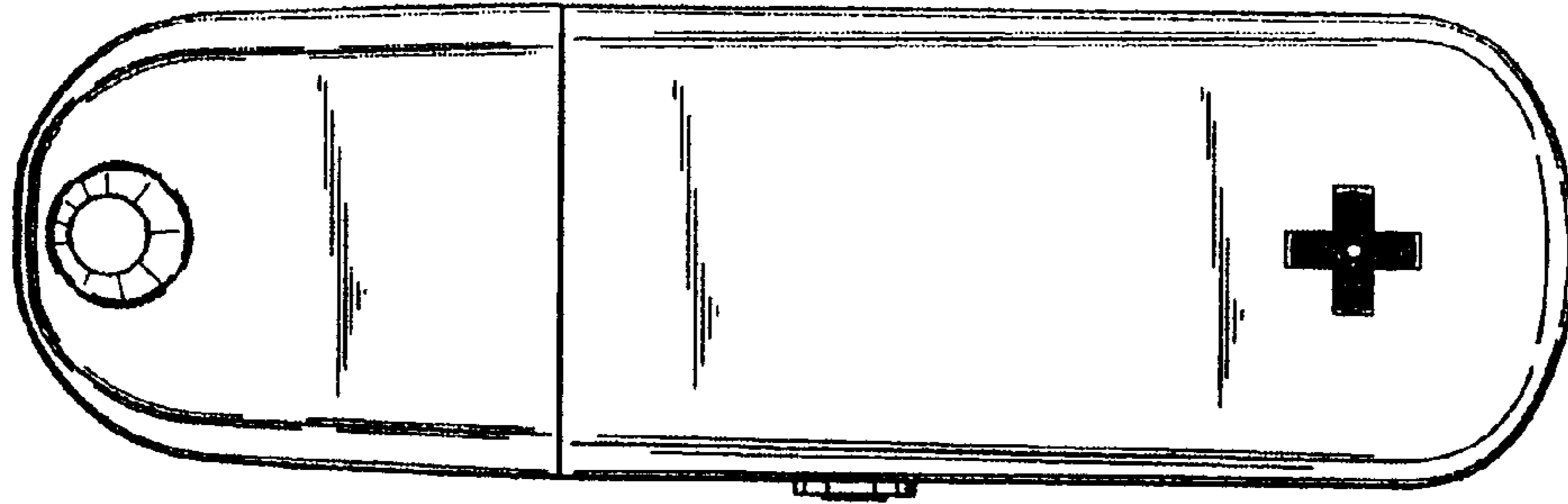
FIG. 1 is a perspective view.  
FIG. 2 is a front view.  
FIG. 3 is a back view.  
FIG. 4 is a left side view.  
FIG. 5 is a right side view.  
FIG. 6 is a top view; and,  
FIG. 7 is a bottom view.

**1 Claim, 4 Drawing Sheets**

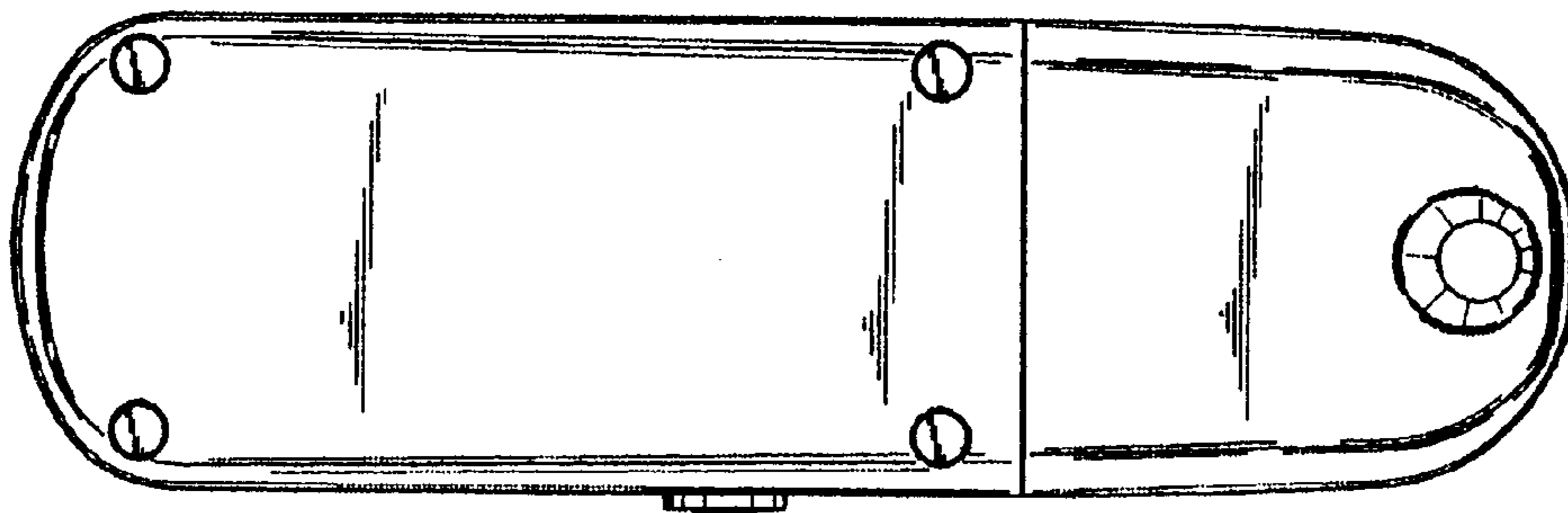




**FIG. 1**



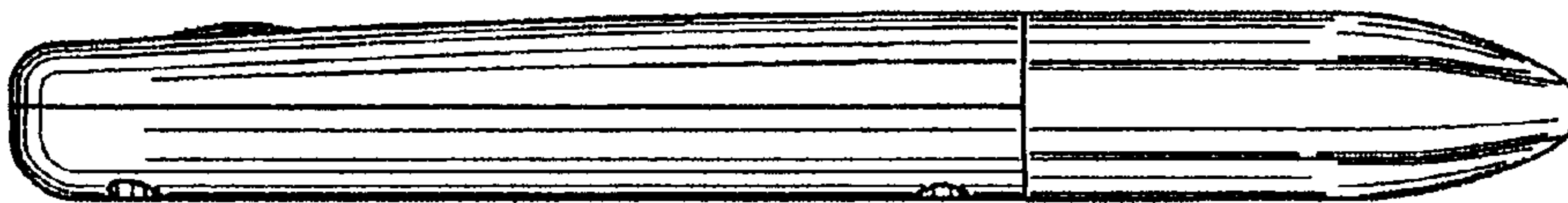
**FIG. 2**



**FIG. 3**



**FIG. 4**



**FIG. 5**



**FIG. 6**



**FIG. 7**