



US00D525241S

(12) **United States Design Patent** (10) **Patent No.:** **US D525,241 S**
Dyer (45) **Date of Patent:** **** Jul. 18, 2006**

(54) **PORTABLE SPEAKERPHONE WITH A PIVOTING MICROPHONE BOOM**

(75) Inventor: **Medford Alan Dyer**, San Diego, CA (US)

(73) Assignee: **Jabra Corporation**, San Diego, CA (US)

(**) Term: **14 Years**

(21) Appl. No.: **29/197,351**

(22) Filed: **Jan. 14, 2004**

Related U.S. Application Data

(63) Continuation-in-part of application No. 10/715,001, filed on Nov. 17, 2003.

(51) **LOC (8) Cl.** **14-03**

(52) **U.S. Cl.** **D14/243; D14/240**

(58) **Field of Classification Search** D14/130, D14/138, 140, 142-144, 147-151, 240, 243, D14/251, 253, 329-330, 434; D13/107-108; D21/405, 517; 379/419, 428.01-428.04, 379/433.01-433.13, 434, 440; 455/90.3, 455/556.1, 556.2, 566, 575.1, 569.1, 569.2; 320/107-108, 114-115; 381/16

See application file for complete search history.

(56) **References Cited**

U.S. PATENT DOCUMENTS

D179,150 S 11/1956 Norris
D180,694 S 7/1957 Norris
3,209,080 A 9/1965 Guttner et al.
D211,472 S * 6/1968 Dreyfuss D14/149
4,335,281 A 6/1982 Scott et al.

(Continued)

FOREIGN PATENT DOCUMENTS

WO DM/048823 * 8/1999
WO DM/048824 * 8/1999

OTHER PUBLICATIONS

“Skullcandy” On-line advertisements, 9 pages, attached downloaded of portable link user’s guide. <http://www.skullcandy.com>. Printed Dec. 2, 2003.

Primary Examiner—Jeffrey D. Asch

Assistant Examiner—C. J. Wright

(74) *Attorney, Agent, or Firm*—Bingham McCutchen LLP

(57) **CLAIM**

I claim the ornamental design for a portable speakerphone with a pivoting microphone boom, as shown and described.

DESCRIPTION

FIG. 1 is a perspective view of a portable speakerphone with a pivoting microphone boom according to the invention;

FIG. 2 is a top view of the portable speakerphone shown in FIG. 1;

FIG. 3 is a bottom view of the portable speakerphone shown in FIG. 1;

FIG. 4 is a front view of the portable speakerphone shown in FIG. 1;

FIG. 5 is a rear view of the portable speakerphone shown in FIG. 1;

FIG. 6 is a left side view of the portable speakerphone shown in FIG. 1;

FIG. 7 is a right side view of the portable speakerphone shown in FIG. 1 with the pivoting microphone boom located in an open position with the boom positioned approximately 90 degrees from the speakerphone;

FIG. 8 is a first cross-sectional view as called out in FIG. 1;

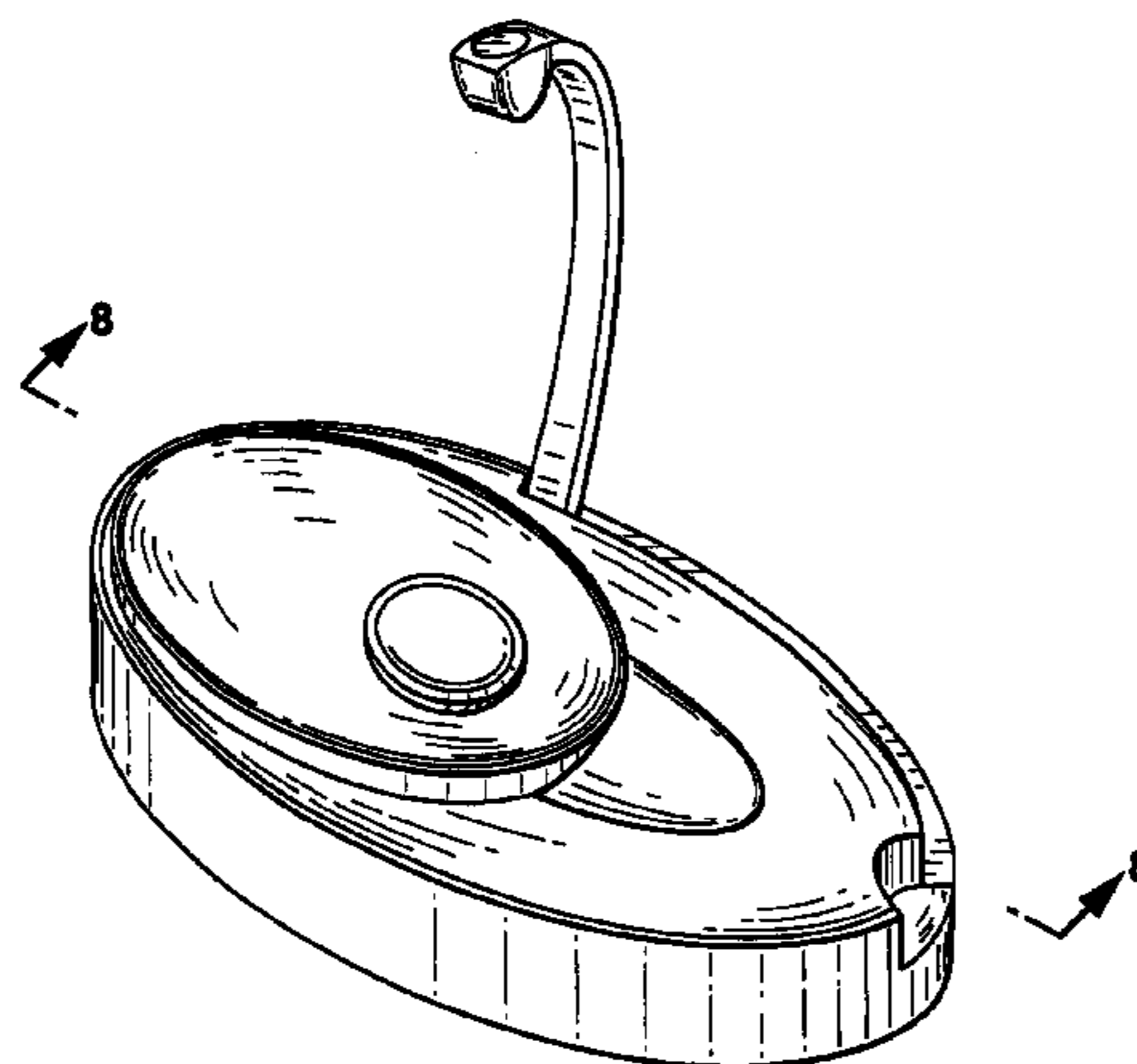
FIG. 9 is a second cross-sectional view as called out in FIG. 2;

FIG. 10 is a third cross-sectional view as called out in FIG. 2;

FIG. 11 is a right side view of the portable speakerphone shown in FIG. 1 with the pivoting microphone boom located in a partially open position with the boom positioned approximately 45 degrees from the speakerphone; and,

FIG. 12 is a right side view of the portable speakerphone shown in FIG. 1 with the pivoting microphone boom located in the fully closed position.

1 Claim, 5 Drawing Sheets



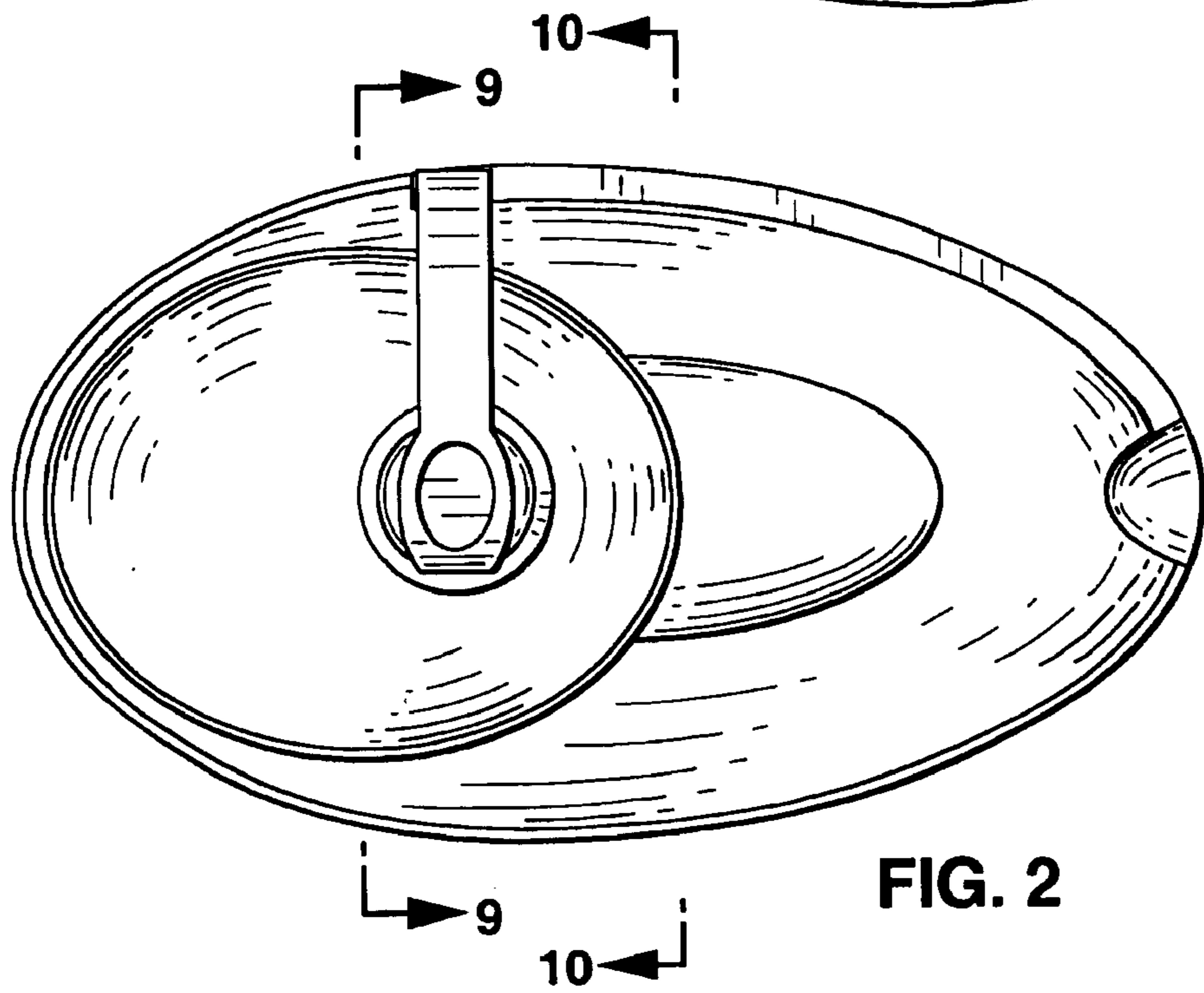
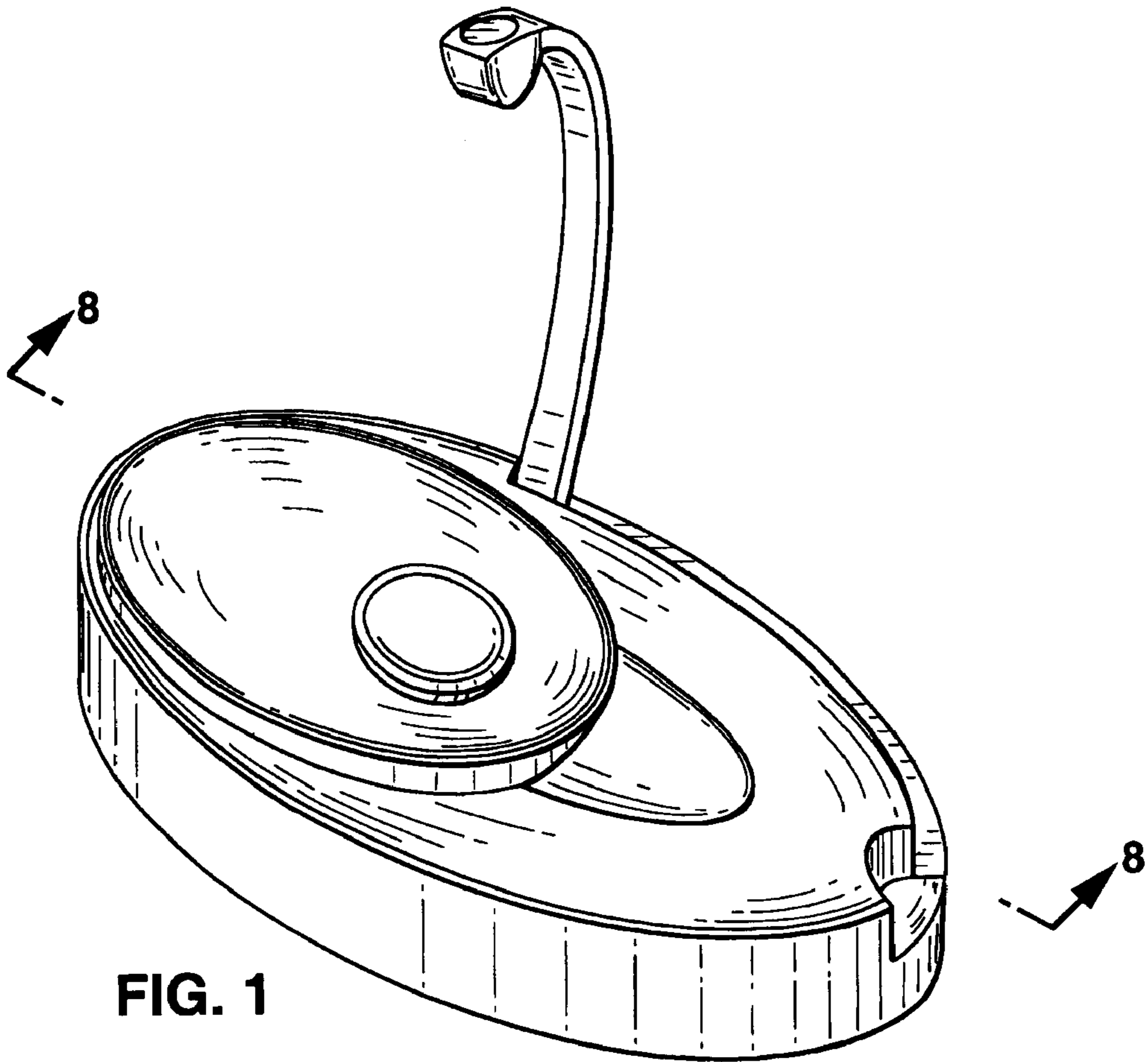
US D525,241 S

Page 2

U.S. PATENT DOCUMENTS

D300,317 S	*	3/1989	Yoshiharu	D14/143		
D309,305 S		7/1990	von Hall				
D395,653 S		6/1998	Read et al.				
D409,621 S		5/1999	Andrea				
5,940,503 A	*	8/1999	Palett et al.	379/454		
D415,150 S	*	10/1999	Hasegawa et al.	D14/138		
5,999,822 A	*	12/1999	Wicks et al.	455/575.1		
D420,007 S		2/2000	Marshall et al.				
D420,669 S	*	2/2000	Lindahl	D14/227		
D421,755 S		3/2000	Pitel				
D427,172 S	*	6/2000	Bequir	D14/138		
6,101,402 A	*	8/2000	Bartha et al.	455/569.1		
6,137,883 A	*	10/2000	Kaschke et al.	379/433.07		
D434,403 S	*	11/2000	Jaynes et al.	D14/138		
6,192,221 B1	*	2/2001	Hasegawa	455/575.3		
D445,415 S		7/2001	Jaakkola				
D447,743 S		9/2001	Ma				
D463,399 S	*	9/2002	Konomi	D14/206		
D468,299 S		1/2003	Boesen				
D468,721 S		1/2003	Nguyen				
D469,081 S		1/2003	Perszyk et al.				
D469,422 S		1/2003	Nguyen et al.				
D470,121 S		2/2003	Nguyen et al.				
D470,479 S		2/2003	Sulley et al.				
D472,890 S		4/2003	Suzuki				
D474,169 S	*	5/2003	Fletcher	D14/159		
D474,178 S		5/2003	Eroma				
D478,576 S	*	8/2003	Leong	D14/240		
D490,787 S	*	6/2004	Aisenberg	D14/138		
D494,157 S	*	8/2004	Wikel et al.	D14/240		
D494,575 S	*	8/2004	Wikel et al.	D14/240		
D494,576 S	*	8/2004	Wikel	D14/240		
D495,355 S	*	8/2004	Mudd et al.	D16/232		
6,792,296 B1	*	9/2004	Van Bosch	455/569.2		
D509,200 S	*	9/2005	Harris	D14/138		
2001/0044329 A1	*	11/2001	Newsom	455/569		
2004/0209656 A1	*	10/2004	Kitami et al.	455/569.1		
2005/0105740 A1	*	5/2005	Dyer	381/16		
2005/0272476 A1	*	12/2005	Eaton et al.	455/569.1		

* cited by examiner



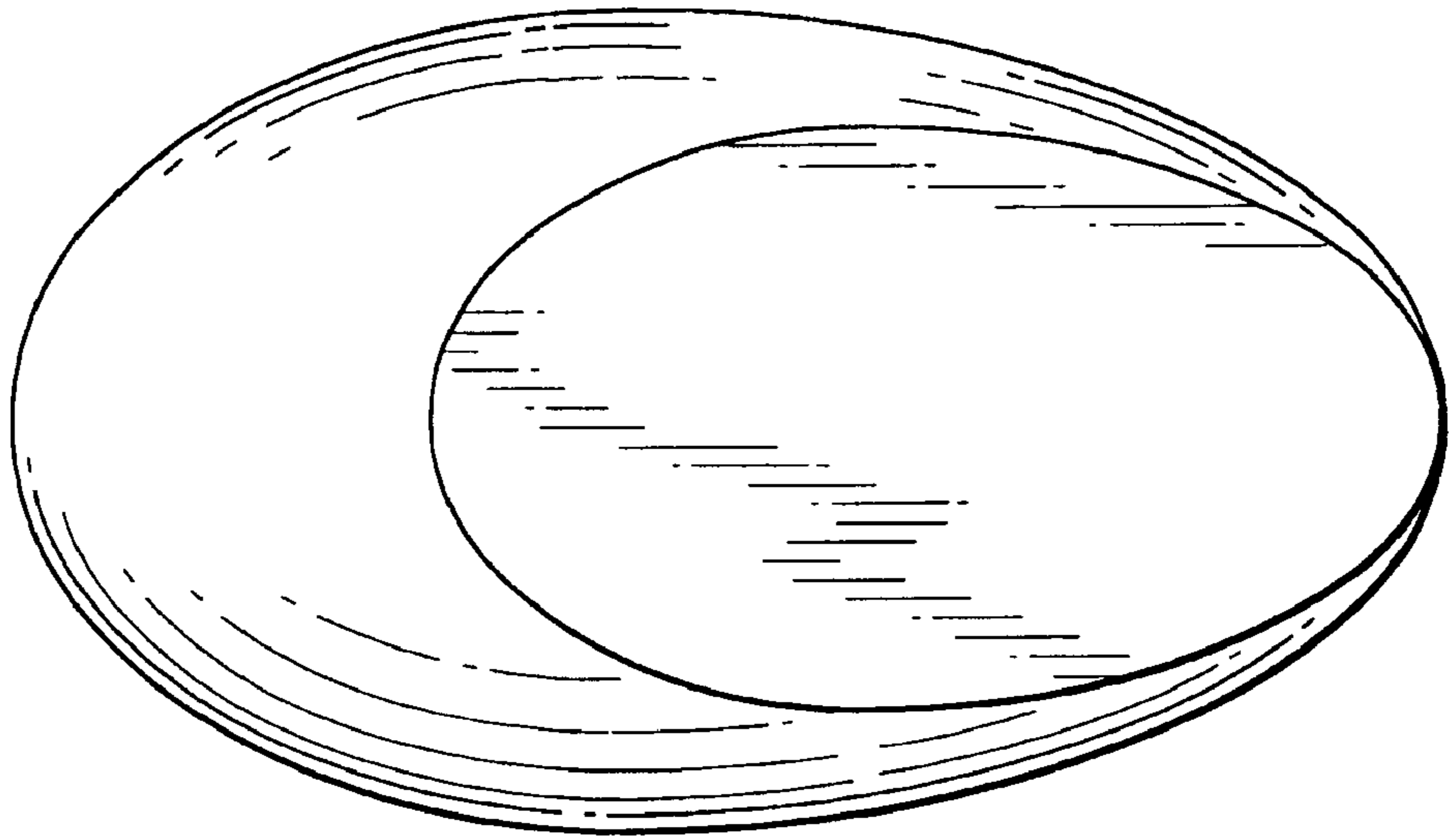


FIG. 3

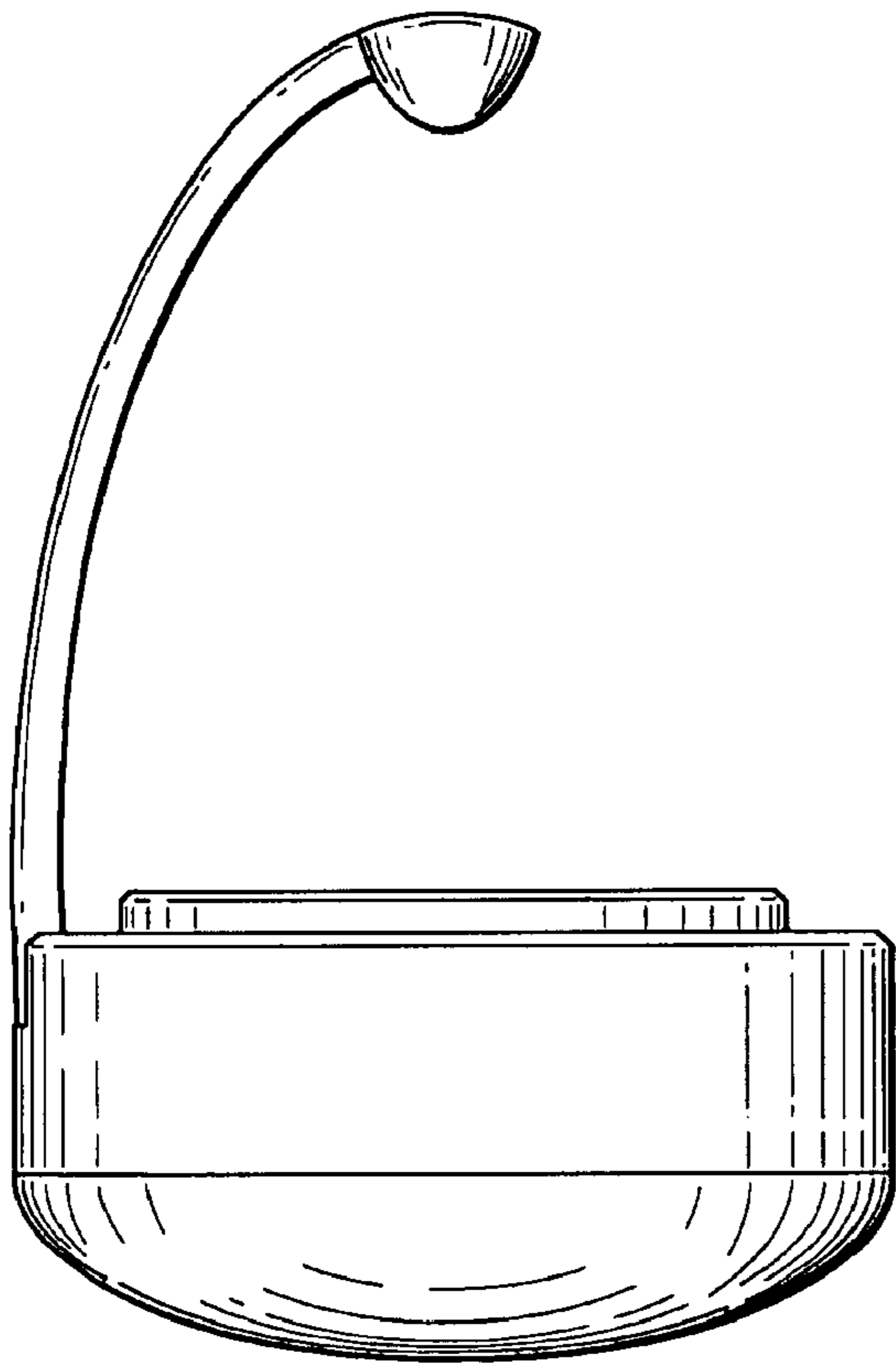


FIG. 4

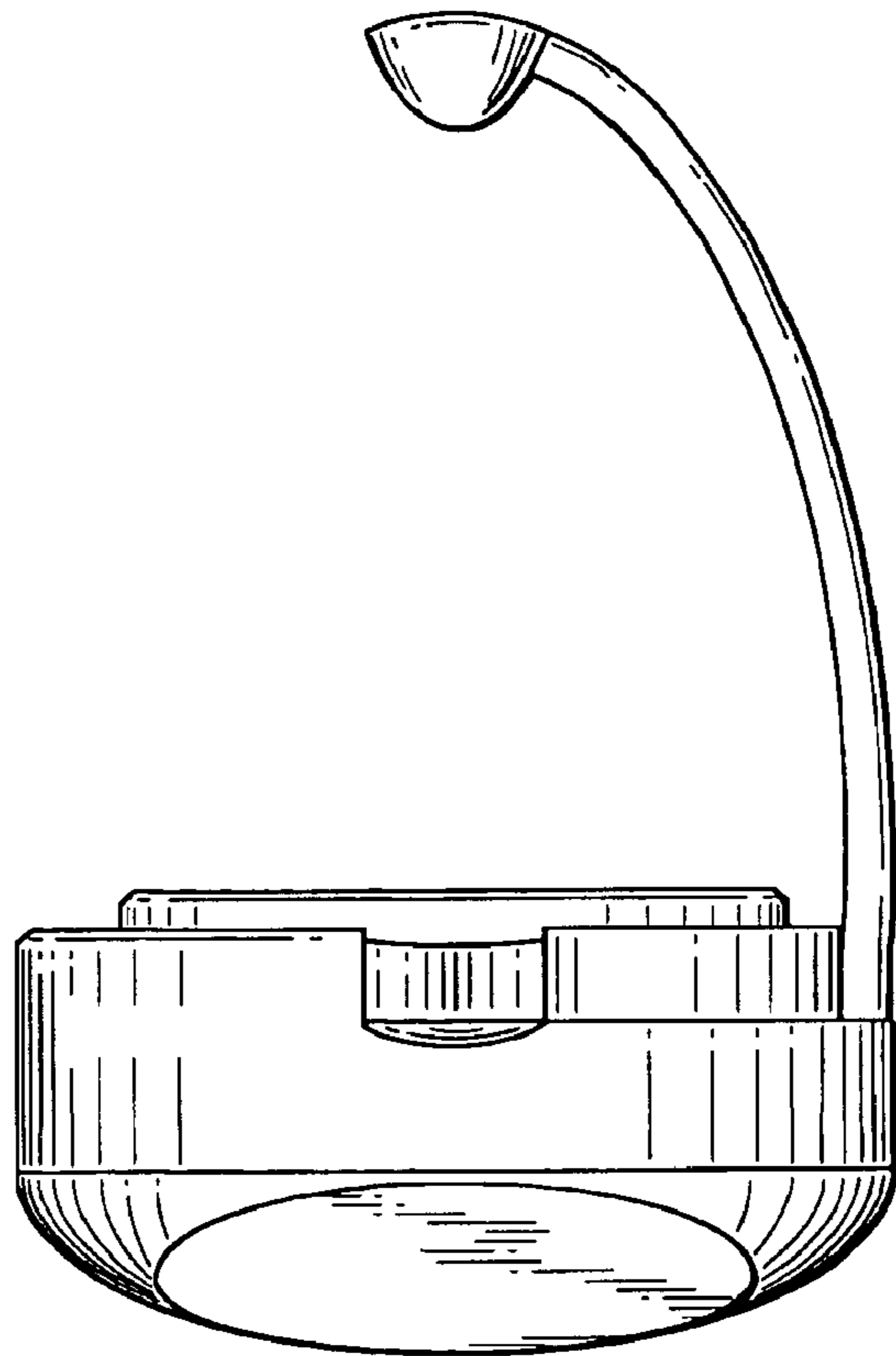


FIG. 5

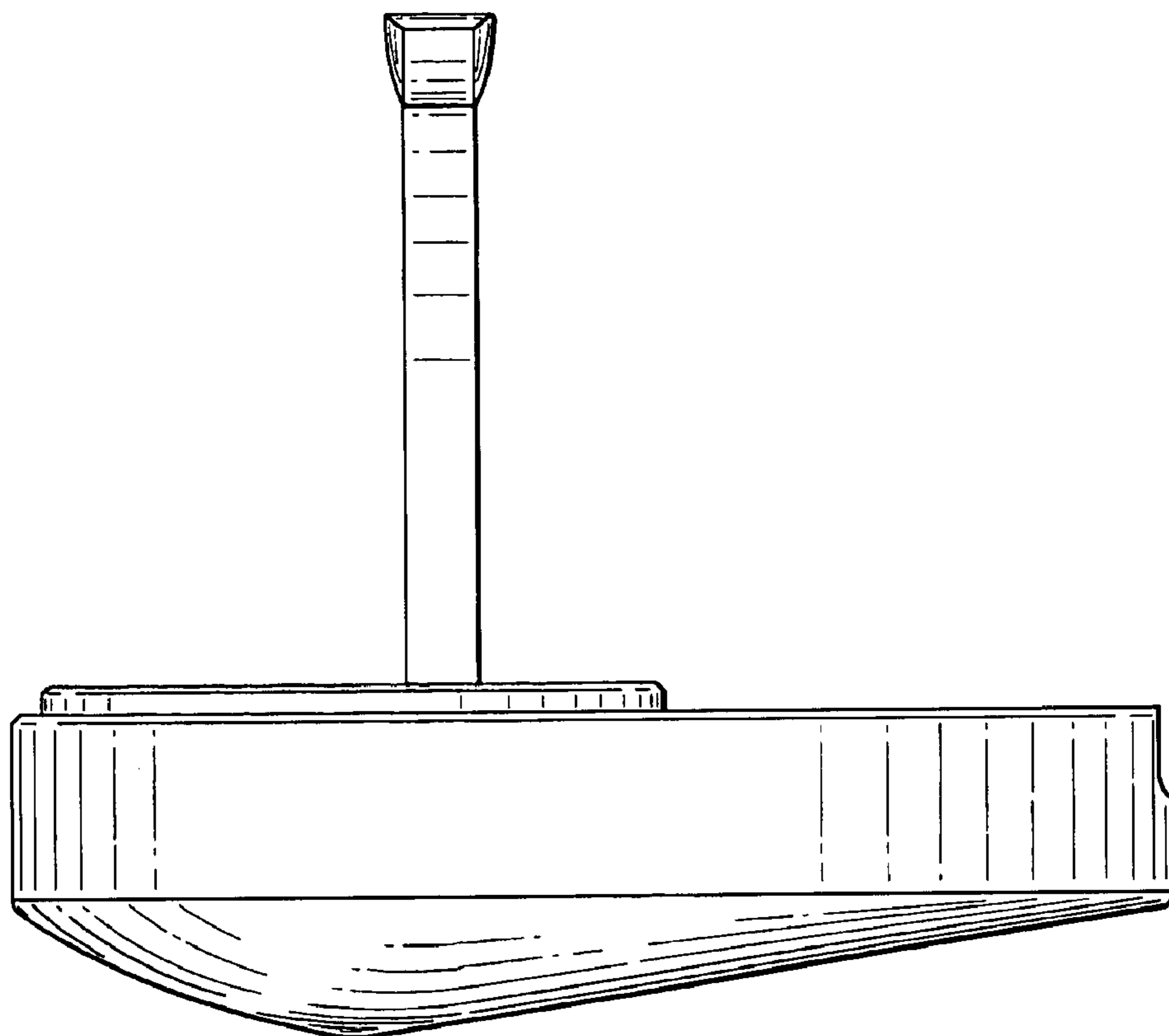


FIG. 6

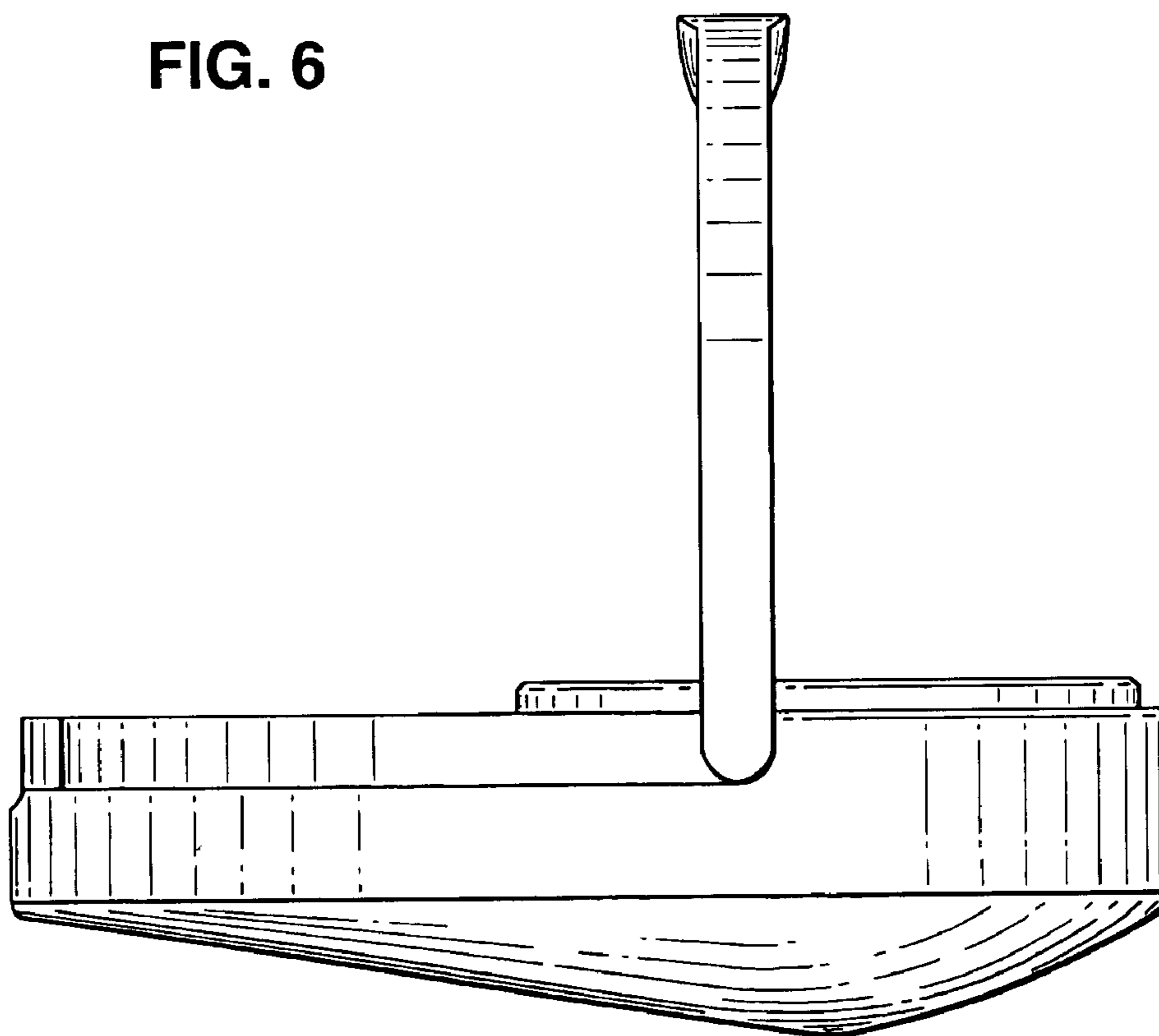


FIG. 7

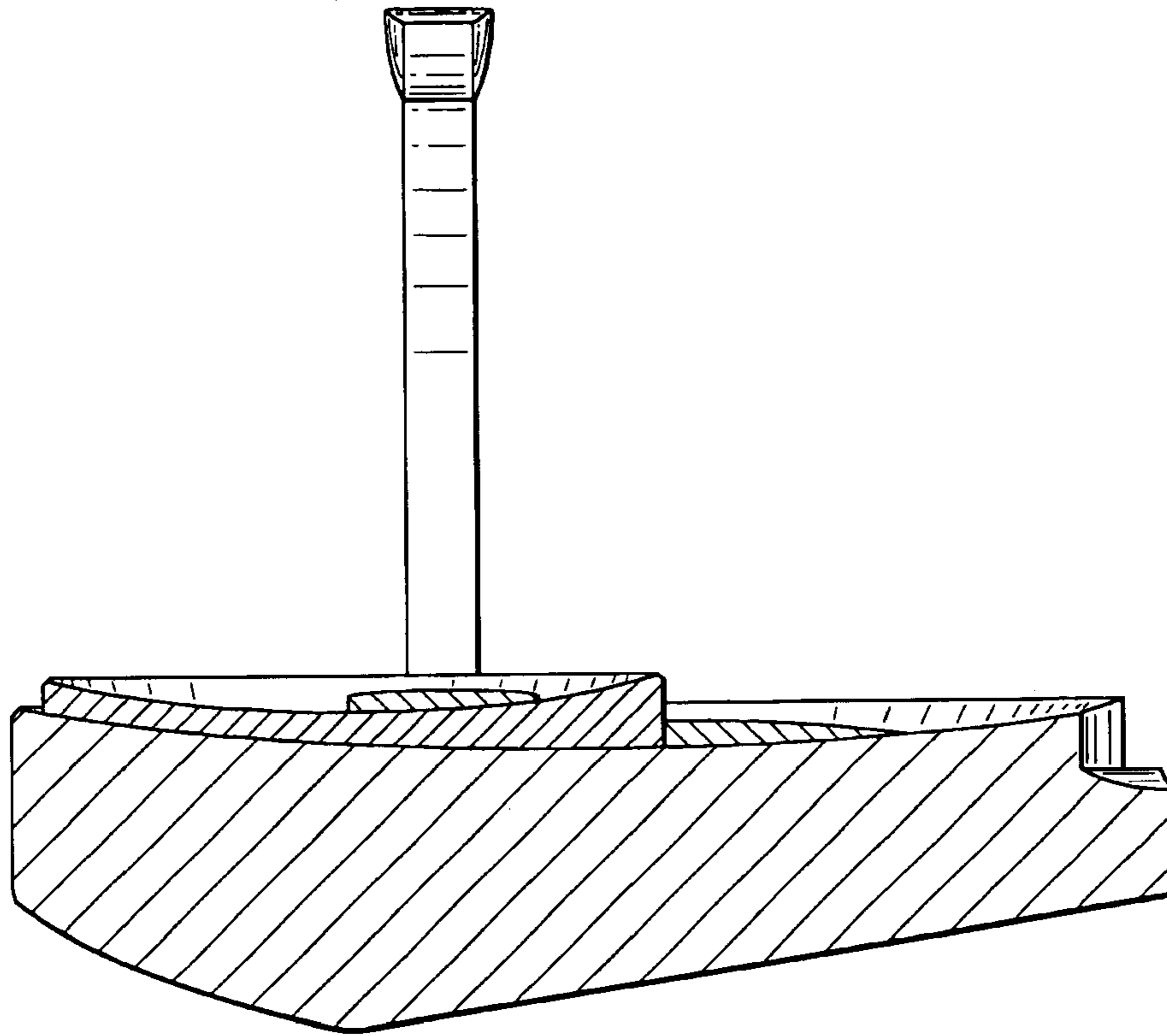


FIG. 8

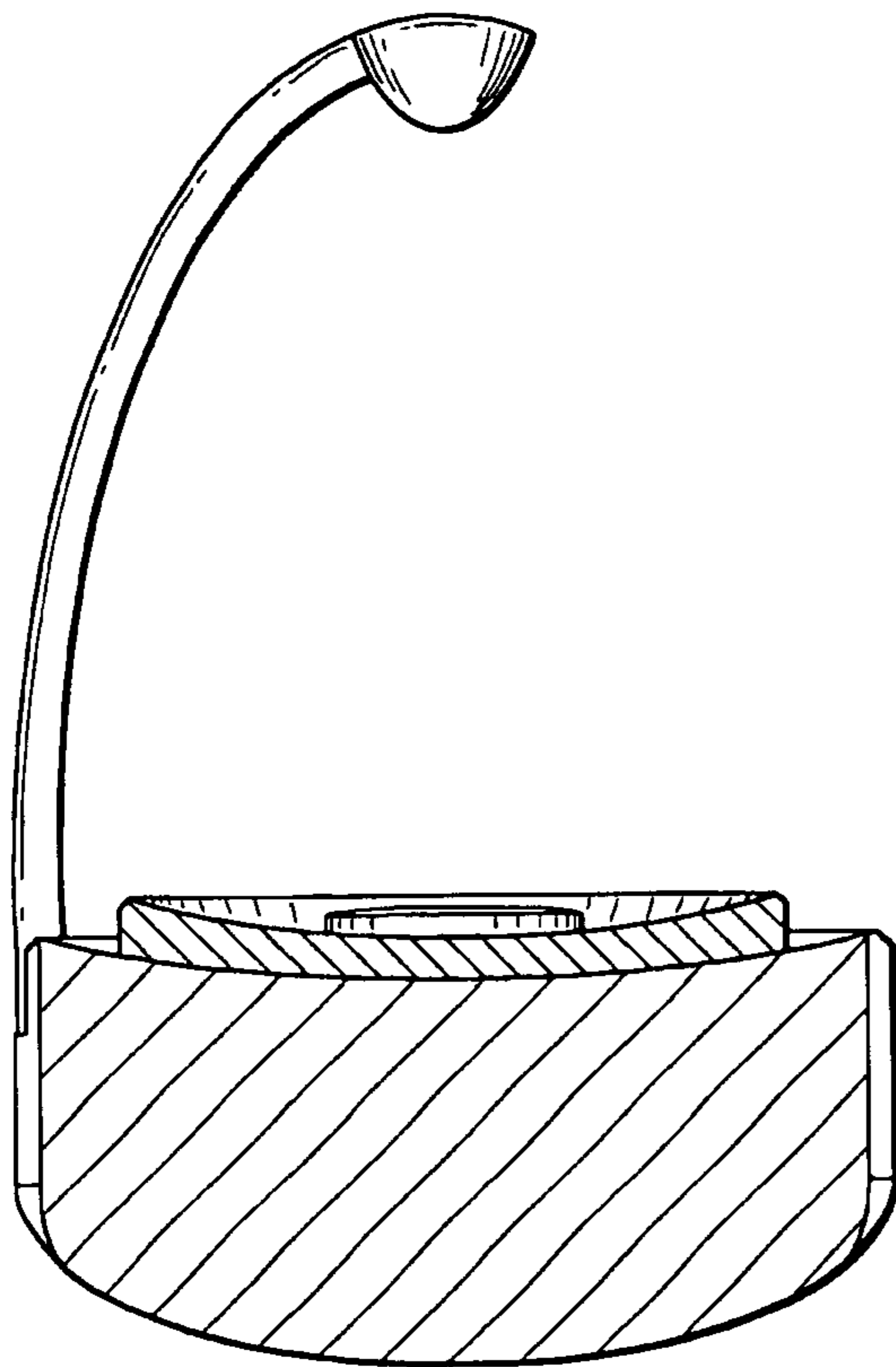


FIG. 9

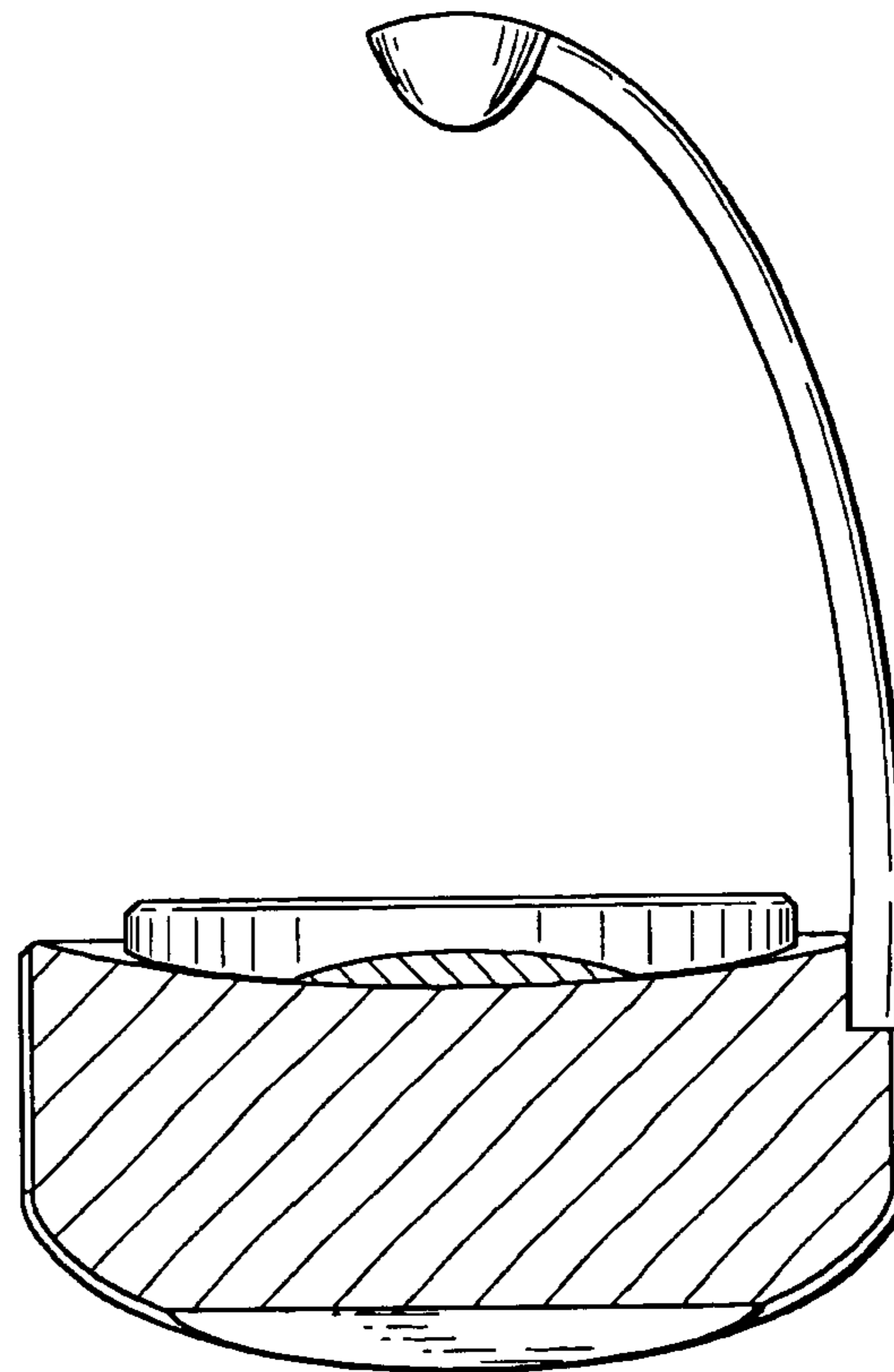


FIG. 10

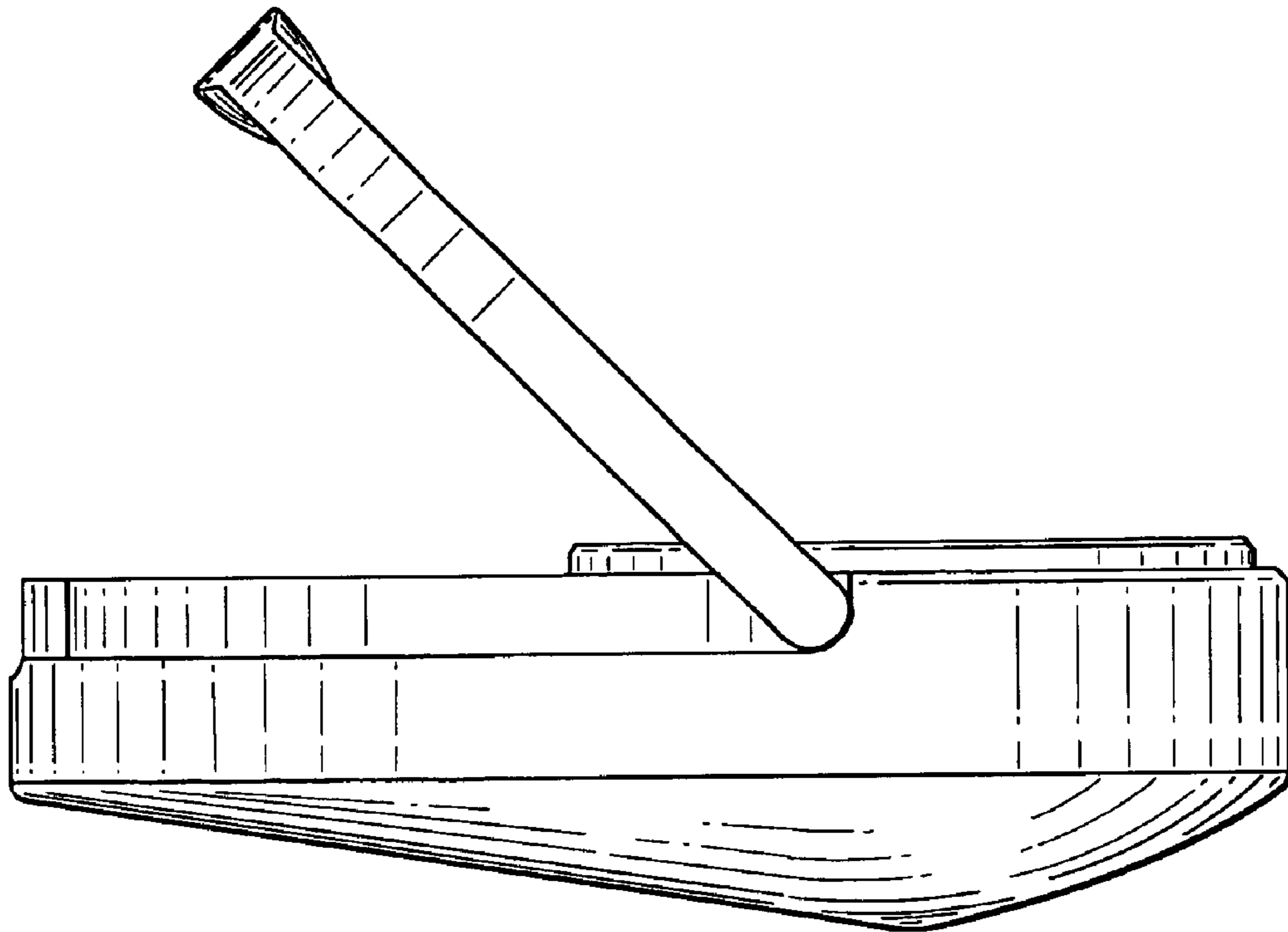


FIG. 11

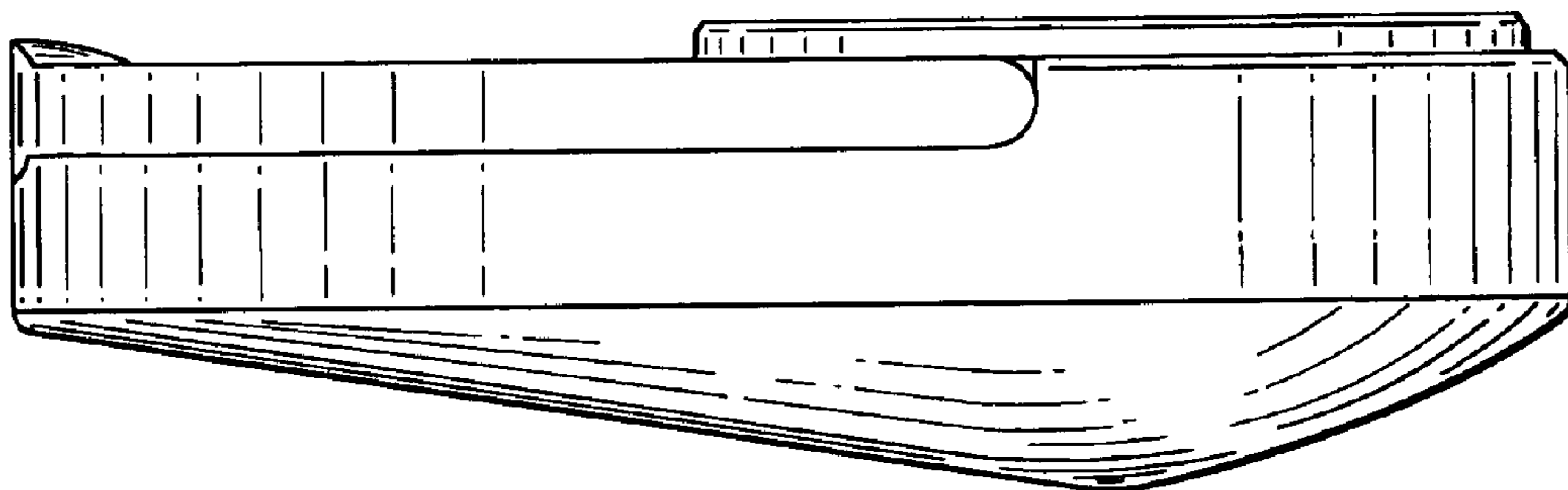


FIG. 12