



US00D525237S

(12) **United States Design Patent**
Viduya et al.

(10) **Patent No.:** **US D525,237 S**
(45) **Date of Patent:** **** Jul. 18, 2006**

- (54) **CONVERTIBLE HEADSET**
- (75) Inventors: **Andres Viduya**, Cranberry Township, PA (US); **Douglas Mark Zatezalo**, Allison Park, PA (US)
- (73) Assignee: **Vocollect, Inc.**, Pittsburgh, PA (US)
- (**) Term: **14 Years**
- (21) Appl. No.: **29/206,971**
- (22) Filed: **Jun. 7, 2004**
- (51) **LOC (8) Cl.** **14-01**
- (52) **U.S. Cl.** **D14/223**
- (58) **Field of Classification Search** D14/188, D14/192, 205, 206, 223; 181/129, 130; 379/430, 379/431, 432, 433; 381/370, 376, 377, 378, 381/379, 380, 381; 29/594; D29/108, 112, D29/122; D21/324; 455/344-351
See application file for complete search history.

- 5,832,098 A 11/1998 Chen
- 5,890,074 A 3/1999 Rydbeck
- D410,466 S * 6/1999 Mouri D14/205
- 6,075,857 A 6/2000 Doss, Jr.
- 6,078,825 A 6/2000 Hahn et al.
- 6,101,260 A 8/2000 Jensen et al.
- 6,230,029 B1 5/2001 Hahn et al.
- D449,289 S * 10/2001 Weikel et al. D14/206
- 6,373,942 B1 4/2002 Braund
- 6,374,126 B1 4/2002 MacDonald, Jr. et al.
- D463,784 S * 10/2002 Taylor et al. D14/206
- D488,146 S * 4/2004 Minto D14/206
- 2001/0017926 A1 8/2001 Vicamini
- 2002/0009191 A1 1/2002 Lucey et al.
- 2002/0085733 A1 7/2002 Cottrell
- 2002/0131616 A1 9/2002 Bronnikov et al.
- 2003/0068061 A1 4/2003 Huang

* cited by examiner

Primary Examiner—Paula A. Greene
(74) *Attorney, Agent, or Firm*—Wood, Herron & Evans, L.L.P.

(56) **References Cited**
U.S. PATENT DOCUMENTS

- 4,418,248 A 11/1983 Mathis
- 4,472,607 A 9/1984 Houg
- 4,499,593 A 2/1985 Antle
- 4,634,816 A 1/1987 O'Malley
- 4,689,822 A 8/1987 Houg
- D299,129 S * 12/1988 Wiegel D14/223
- 4,875,233 A 10/1989 Derhaag
- 5,018,599 A 5/1991 Dohi
- 5,197,332 A 3/1993 Shennib
- 5,369,857 A * 12/1994 Sacherman et al. 29/594
- 5,381,486 A 1/1995 Ludeke
- 5,446,788 A 8/1995 Lucey
- 5,469,505 A 11/1995 Gattey
- 5,555,554 A 9/1996 Hofer
- 5,579,400 A 11/1996 Ballein
- D376,598 S * 12/1996 Hayashi D14/206
- 5,781,644 A 7/1998 Chang
- 5,793,878 A 8/1998 Chang

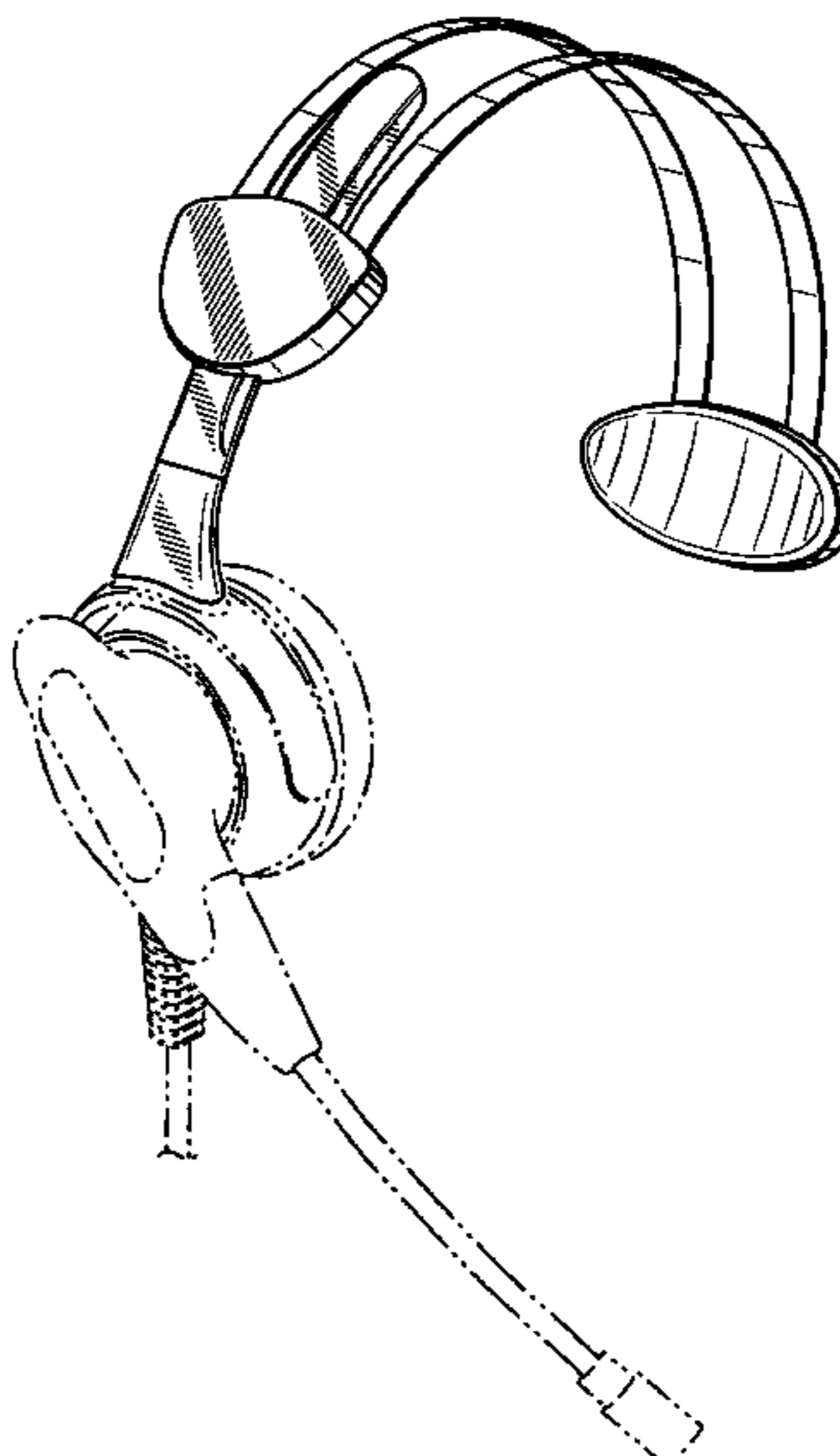
(57) **CLAIM**

The ornamental design for a convertible headset, as shown and described.

DESCRIPTION

FIG. 1 is a front perspective view of a convertible headset showing our new design;
FIG. 2 is a left side elevational view of FIG. 1;
FIG. 3 is a front elevational view of FIG. 1;
FIG. 4 is a right side elevational view of FIG. 1;
FIG. 5 is a rear elevational view of FIG. 1;
FIG. 6 is a top view of FIG. 1; and,
FIG. 7 is a bottom view of FIG. 1.
The elements shown in dash-dot lines form no part of the claimed invention in this application, and are instead included to show environmental aspects of the claimed invention.

1 Claim, 4 Drawing Sheets



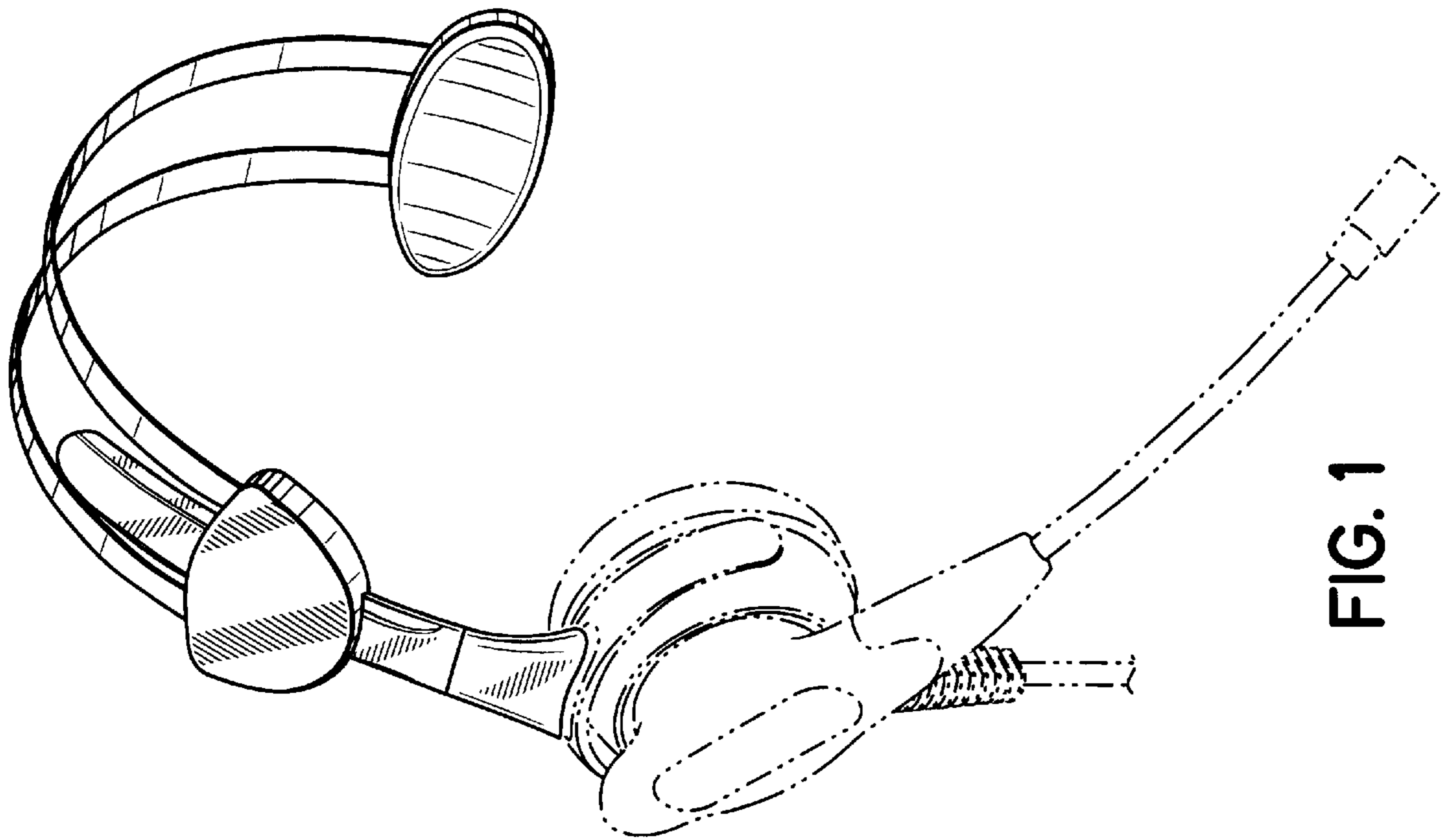


FIG. 1

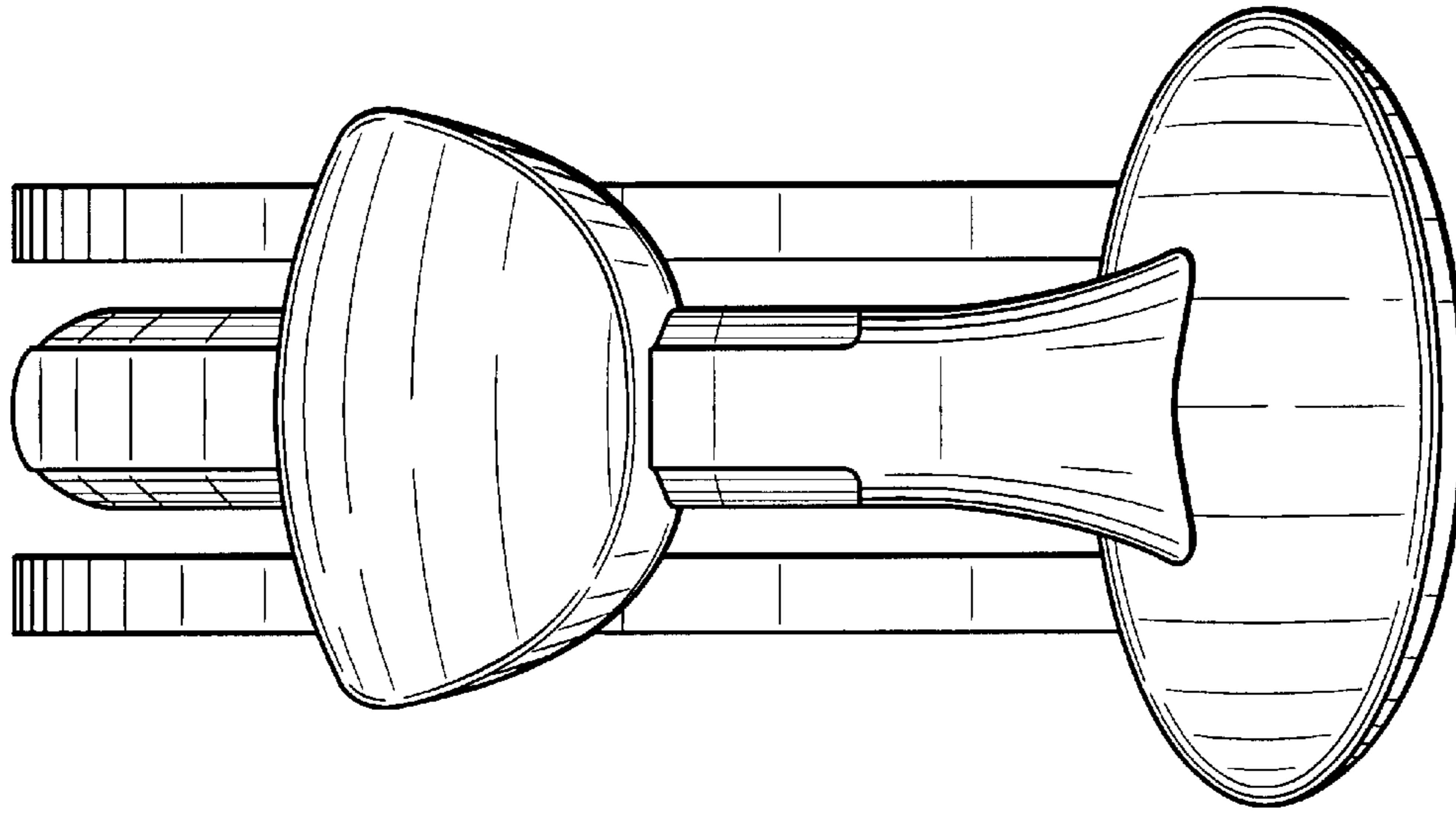


FIG. 2

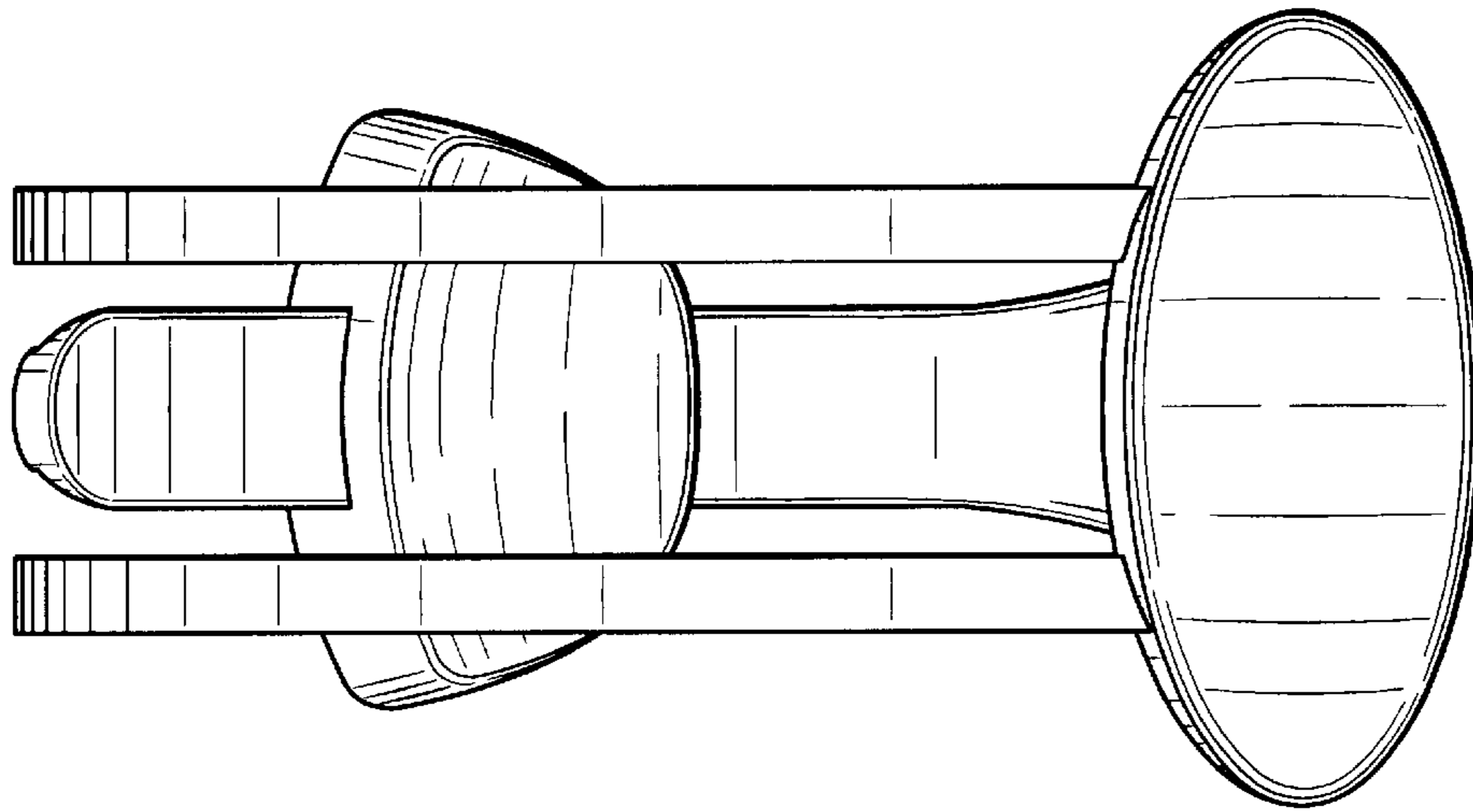


FIG. 4

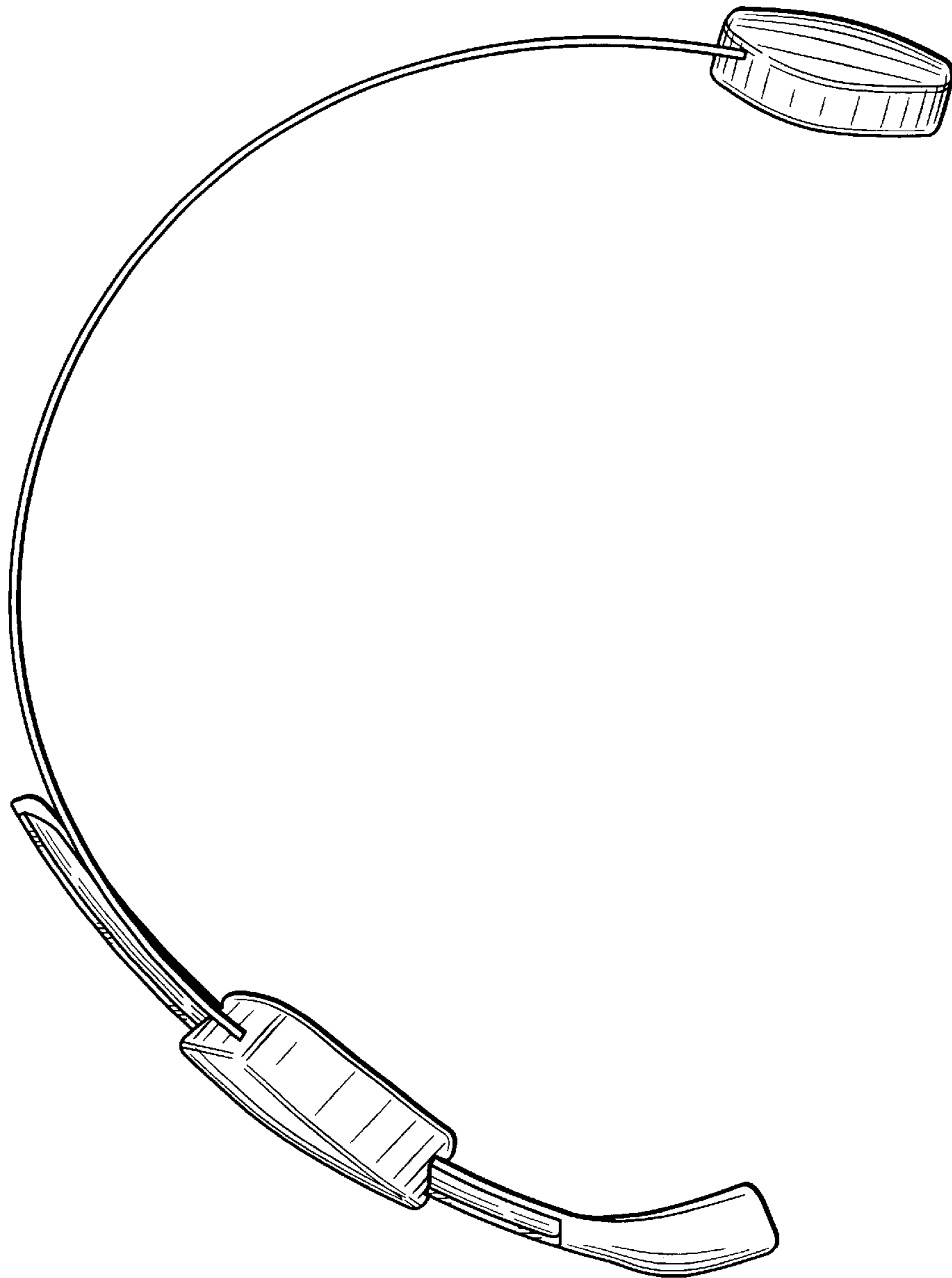


FIG. 3

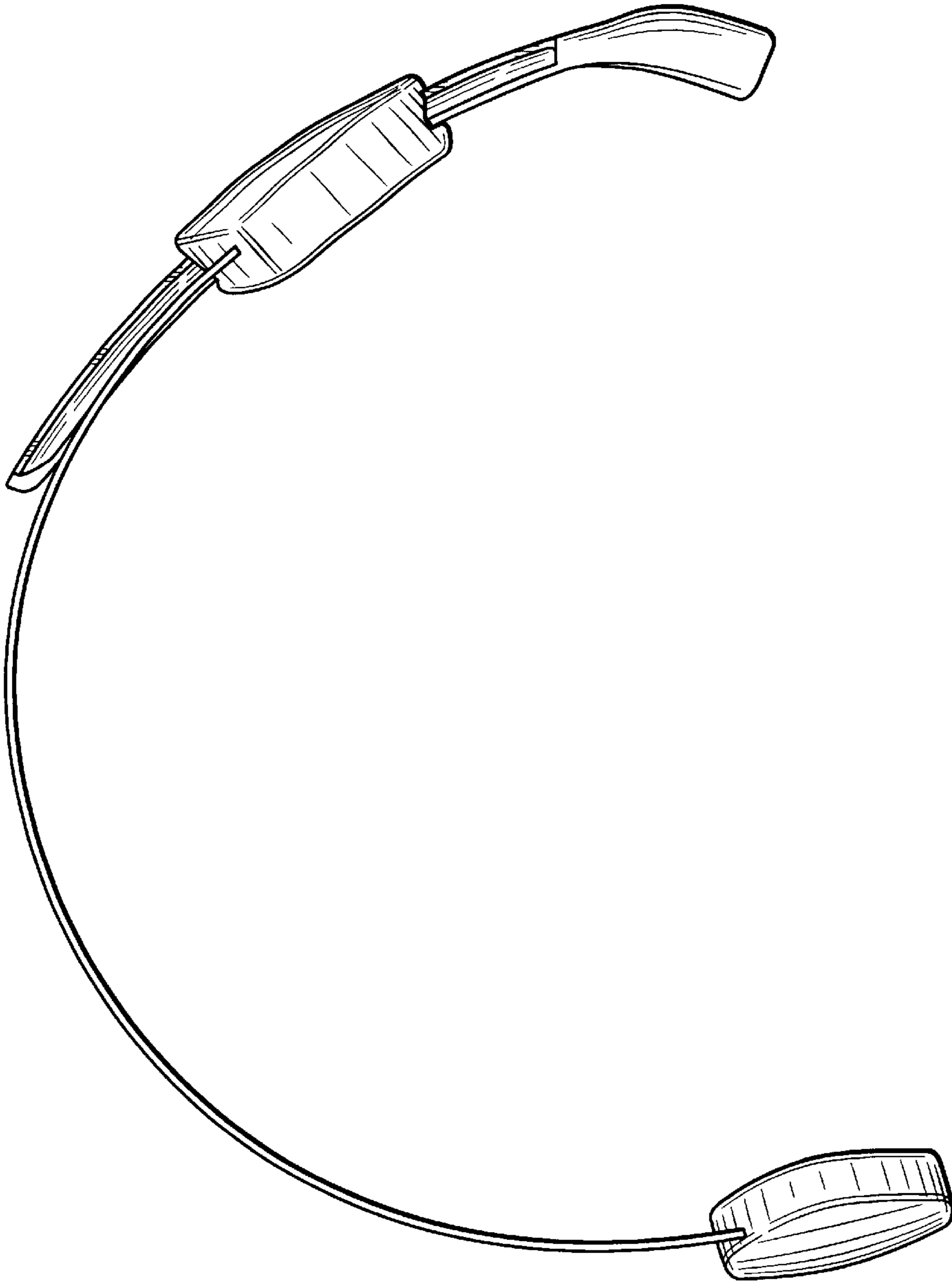


FIG. 5

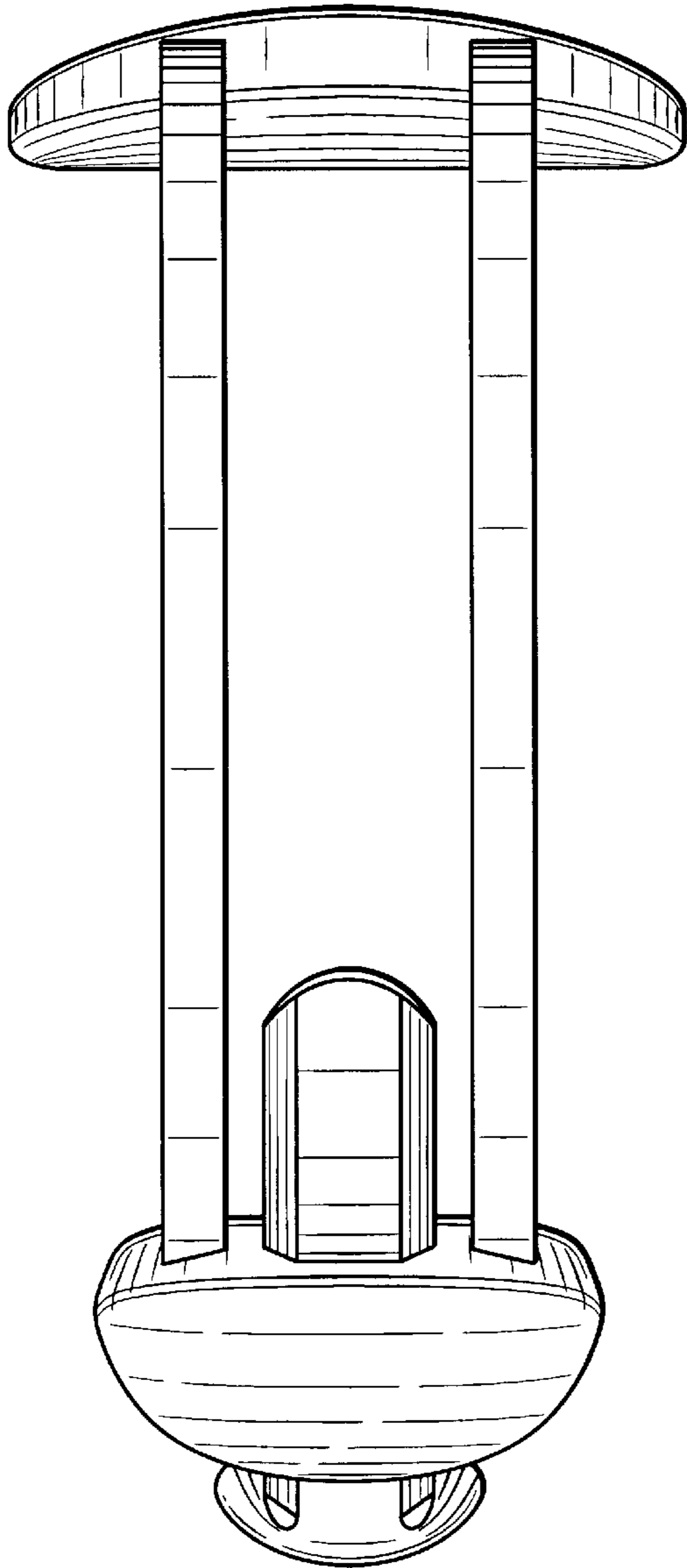


FIG. 6

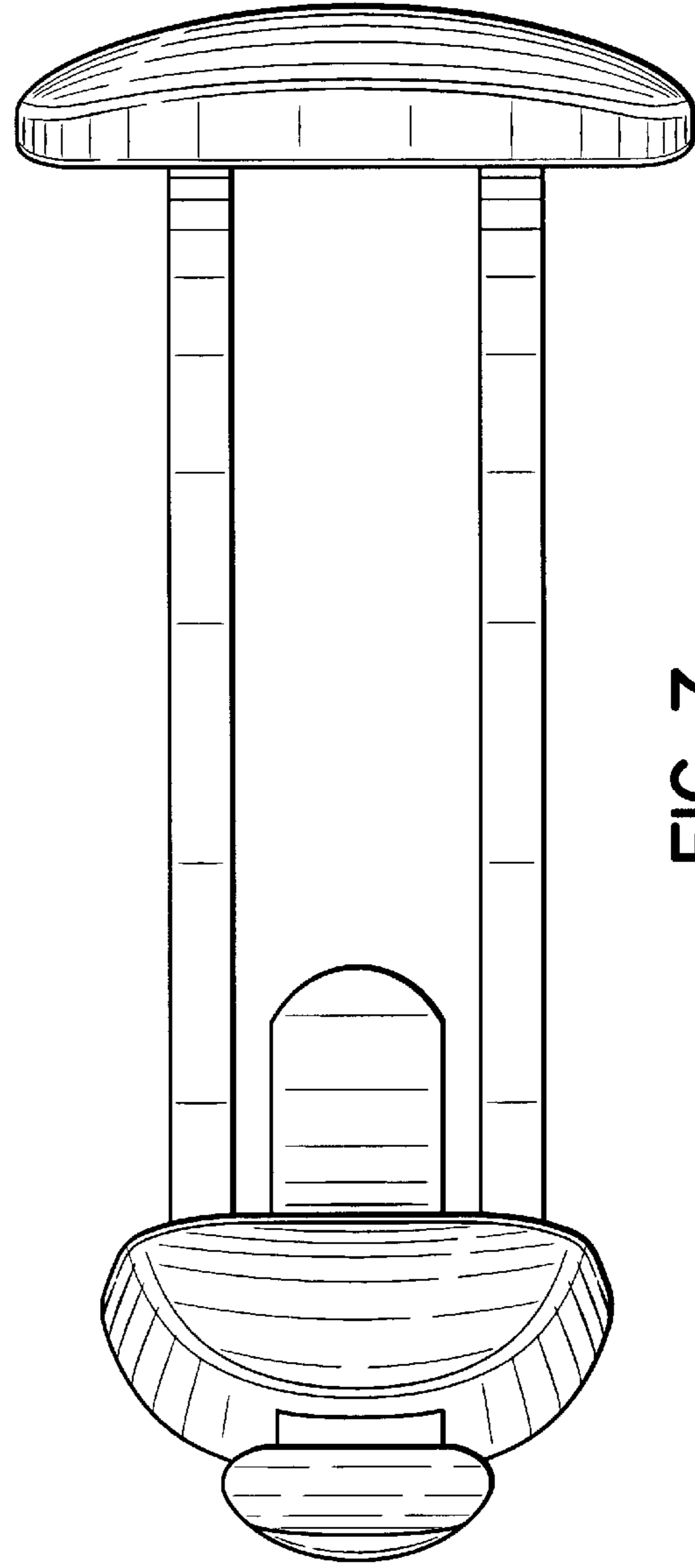


FIG. 7