



US00D525234S

(12) **United States Design Patent**
Yokoyama

(10) **Patent No.:** **US D525,234 S**
(45) **Date of Patent:** **** Jul. 18, 2006**

(54) **DISC PLAYER**

(75) Inventor: **Hiroaki Yokoyama**, Tokyo (JP)

(73) Assignee: **Sony Corporation**, Tokyo (JP)

(**) Term: **14 Years**

(21) Appl. No.: **29/224,450**

(22) Filed: **Mar. 3, 2005**

(30) **Foreign Application Priority Data**

Sep. 3, 2004 (EM) 000226139-0001

(51) **LOC (8) Cl.** **14-01**

(52) **U.S. Cl.** **D14/156**

(58) **Field of Classification Search** D14/135-136,
D14/156-157, 160-165, 167-168, 192-198,
D14/188, 217, 257, 258, 445; 360/99.02,
360/99.07; 369/75.11, 75.21, 77.21, 77.11;
720/612, 619, 647, 655; 455/344, 347-351
See application file for complete search history.

(56) **References Cited**

U.S. PATENT DOCUMENTS

D433,672 S 11/2000 Kobayashi
D462,942 S * 9/2002 Murakami D14/156
D471,528 S * 3/2003 Wada et al. D14/156
D471,885 S * 3/2003 Wada D14/156
D499,080 S 11/2004 Matsuoka

OTHER PUBLICATIONS

Web page "Philips AX2200 Portable CD Player" <http://www.amazon.co.uk/exec/obidos/ASIN/B00008GK7I/inforline0f-21/026-6836185-40644> . . . , 2 sheet, Amazon (Feb. 2005).

Web page "SL-SX330" <http://www.2.panasonic.com/webapp/wcs/stores/servlet/vModelDetail?displayTab=O&storeId=11> . . . , 1 sheet, Panasonic Corporation of North America (Feb. 2005).

* cited by examiner

Primary Examiner—Nanda Bondade

(74) *Attorney, Agent, or Firm*—Rader, Fishman & Grauer PLLC

(57) **CLAIM**

The ornamental design for a disc player.

DESCRIPTION

FIG. 1 is a perspective view of a disc player showing my new design;

FIG. 2 is a front elevational view thereof, wherein a line IX—IX is shown;

FIG. 3 is a rear elevational view thereof;

FIG. 4 is a left side elevational view thereof;

FIG. 5 is a right side elevational view thereof;

FIG. 6 is a top plan view thereof; and,

FIG. 7 is a bottom plan view thereof.

1 Claim, 7 Drawing Sheets

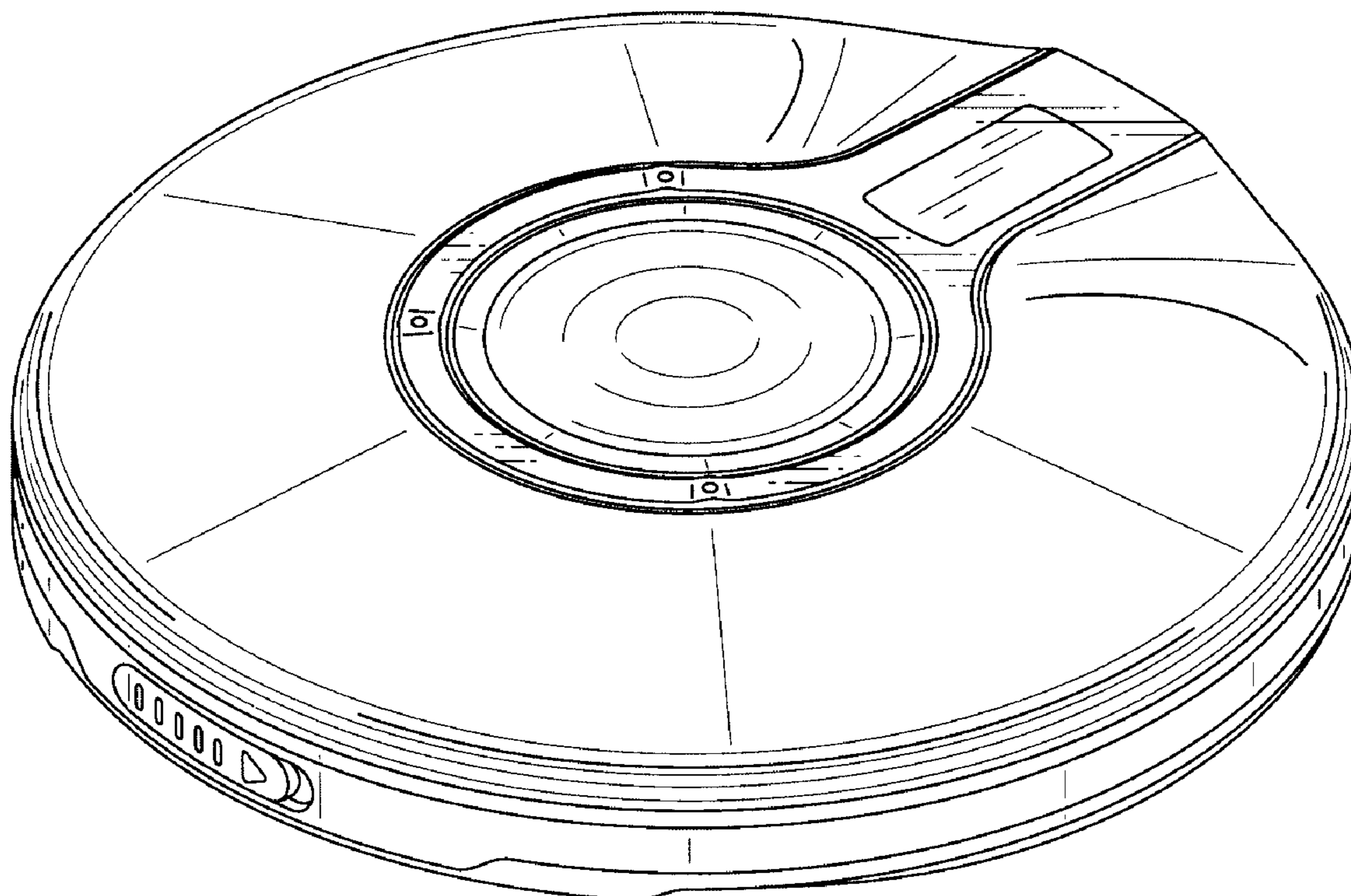


Fig.1

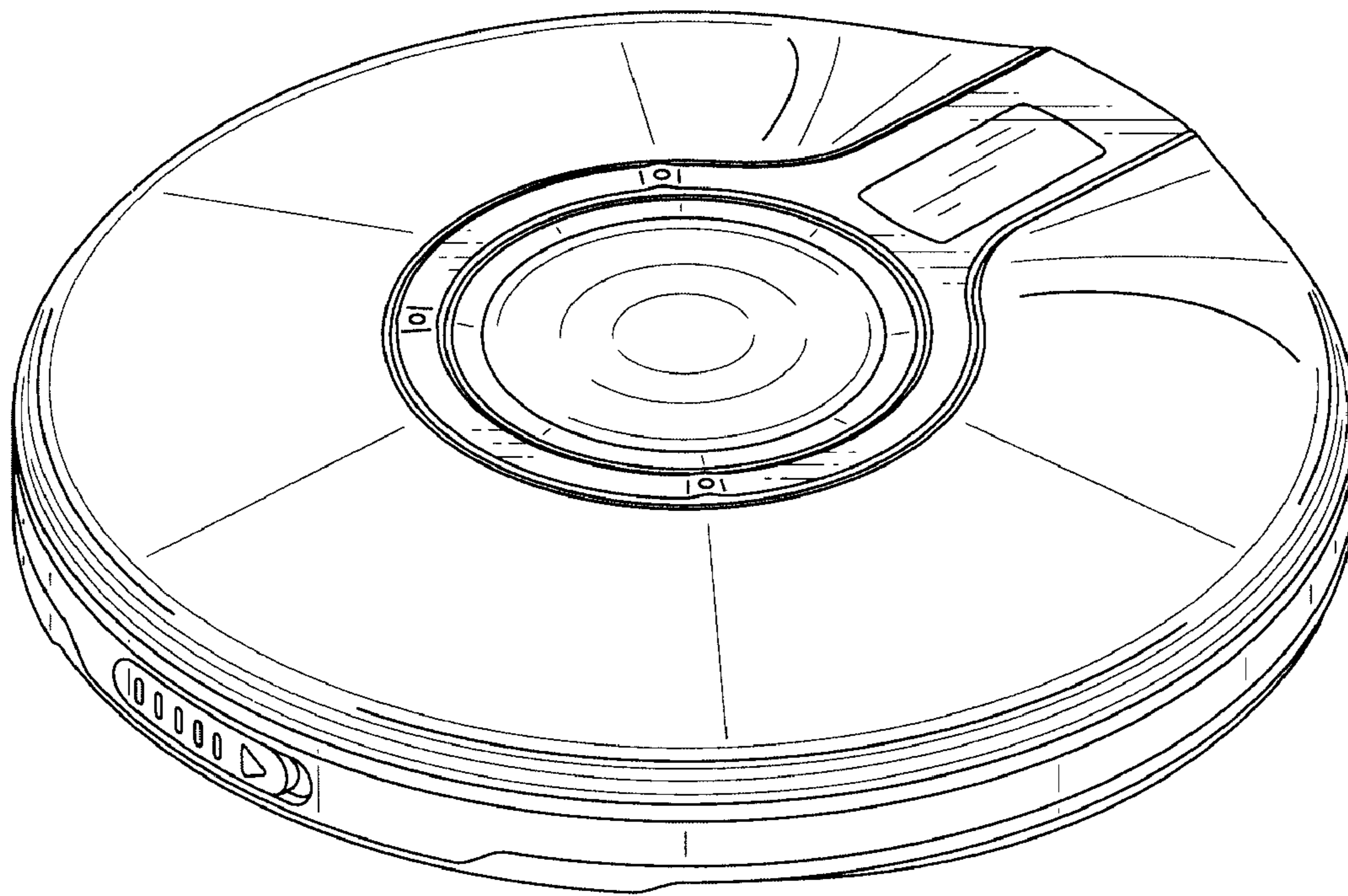


Fig.2

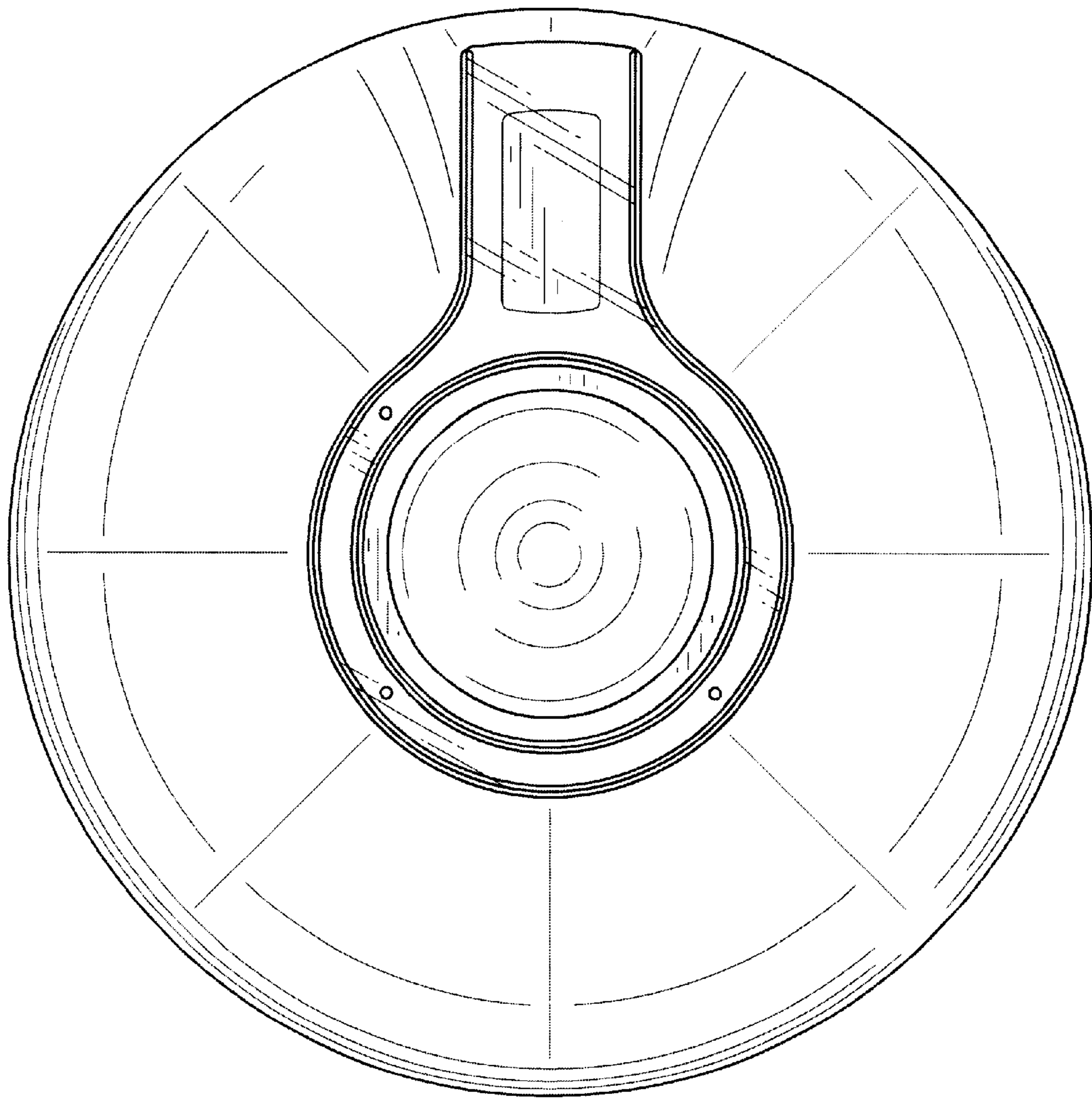


Fig.3

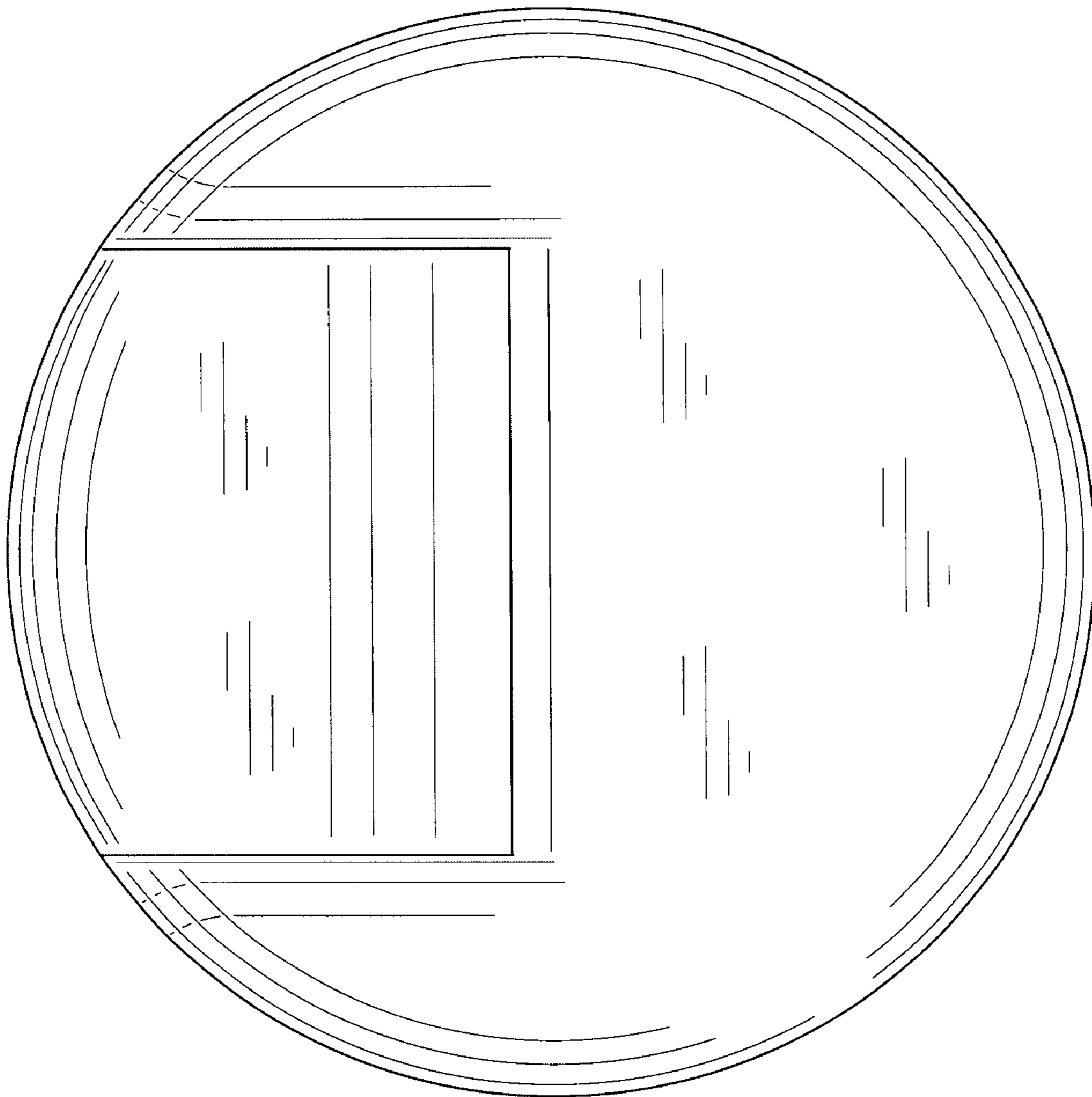


Fig.4

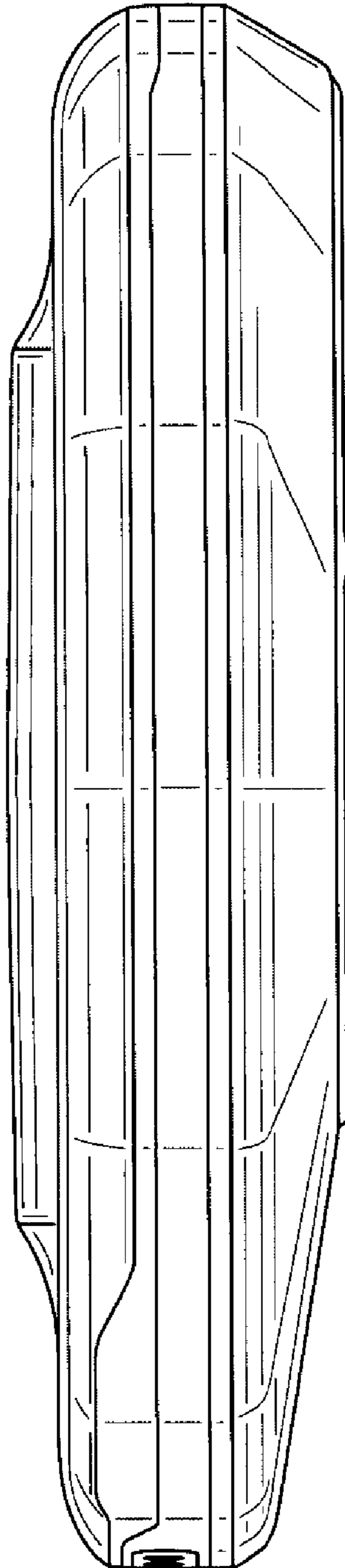


Fig.5

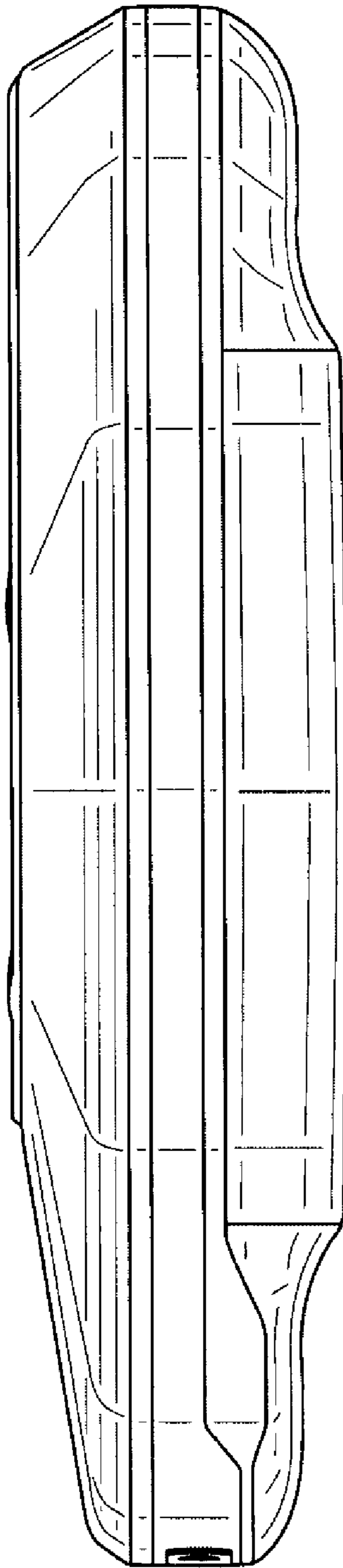


Fig.6

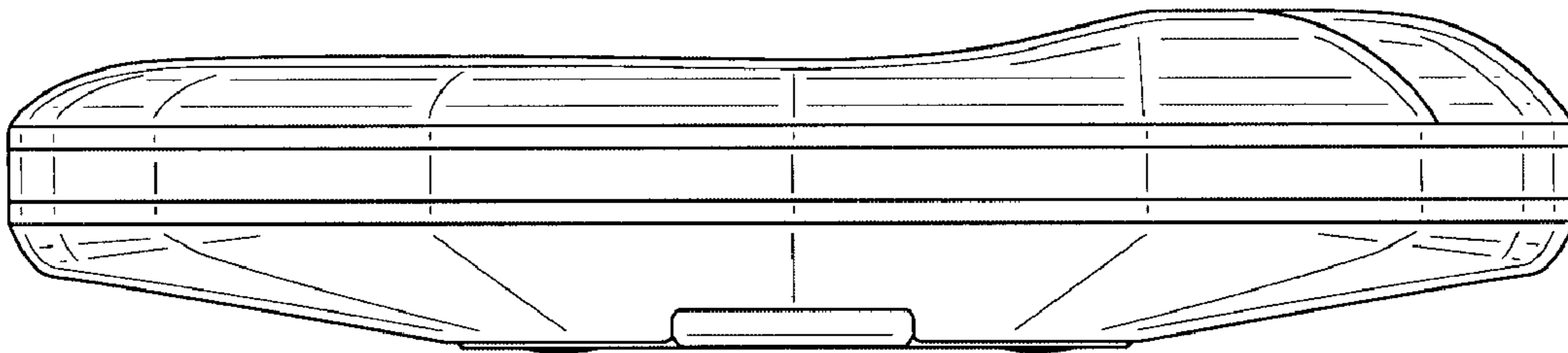


Fig.7

