

US00D525232S

(12) **United States Design Patent**
Wen

(10) **Patent No.:** **US D525,232 S**

(45) **Date of Patent:** **** Jul. 18, 2006**

- (54) **WIRELESS TELEPHONE BASE**
 - (75) Inventor: **Szu-Cheng Wen, Hsin-Tien (TW)**
 - (73) Assignee: **Senao International Co., Ltd., Taipei Hsien (TW)**
 - (**) Term: **14 Years**
 - (21) Appl. No.: **29/214,920**
 - (22) Filed: **Oct. 13, 2004**
 - (51) **LOC (8) Cl.** **14-03**
 - (52) **U.S. Cl.** **D14/149**
 - (58) **Field of Classification Search** D14/138,
D14/141.1–141.2, 147, 148, 149, 155, 215,
D14/225, 227, 240, 243, 358; D10/104, 106,
D10/116; 379/202.01, 205.01, 420.01–420.04,
379/428.01–428.04, 432; 455/561, 562.1,
455/569.1, 569.2
- See application file for complete search history.

- D470,852 S * 2/2003 Kim D14/439
- D471,540 S * 3/2003 Tomino et al. D14/240
- D472,235 S * 3/2003 Chen D14/240
- D483,024 S * 12/2003 Sanchez et al. D14/155
- D487,079 S * 2/2004 Asawa D14/242
- D489,369 S * 5/2004 Sasaki D14/358
- D489,720 S * 5/2004 Sasaki D14/358
- D492,946 S * 7/2004 Loiske et al. D14/240
- D497,318 S * 10/2004 Strand et al. D10/104

OTHER PUBLICATIONS

“Duet Executive USB Speakerphone”, 1 p including photo, [online], <URL:www.hellodirect.com/catalog/product.jhtml?CATID=15294&PRODID=13410>, site visited Feb. 20, 2006.*

“Solo USB Microphone”, 1 p including photo, [online], <URL:www.hellodirect.com/catalog/product.jhtml?CATID=15294&PRODID=13332>, site visited Feb. 20, 2006.*

* cited by examiner

Primary Examiner—Jeffrey D. Asch

(74) *Attorney, Agent, or Firm*—Pearl Cohen Zedek Latzer, LLP

(56) **References Cited**

U.S. PATENT DOCUMENTS

- D305,119 S * 12/1989 Pfeifer et al. D14/142
- D310,664 S * 9/1990 Murphy D14/137
- D353,372 S * 12/1994 Delhaes D14/149
- D371,781 S * 7/1996 Nowak et al. D14/137
- D376,764 S * 12/1996 Barnes D10/104
- D380,973 S * 7/1997 Arney et al. D10/104
- D383,687 S * 9/1997 Conrado et al. D10/104
- D385,559 S * 10/1997 Conrado et al. D14/159
- D387,347 S * 12/1997 McGugan D14/149
- D398,920 S * 9/1998 Yen D14/125
- D408,403 S * 4/1999 Solomita et al. D14/141.1
- D409,199 S * 5/1999 Taguchi et al. D14/217
- D435,041 S * 12/2000 Coker et al. D14/240
- D446,143 S * 8/2001 Kliegman et al. D10/104
- D460,452 S * 7/2002 Yoshie D14/358
- D462,337 S * 9/2002 Schmidt et al. D14/149
- D463,793 S * 10/2002 Viippola D14/240
- D469,075 S * 1/2003 Chan D14/149

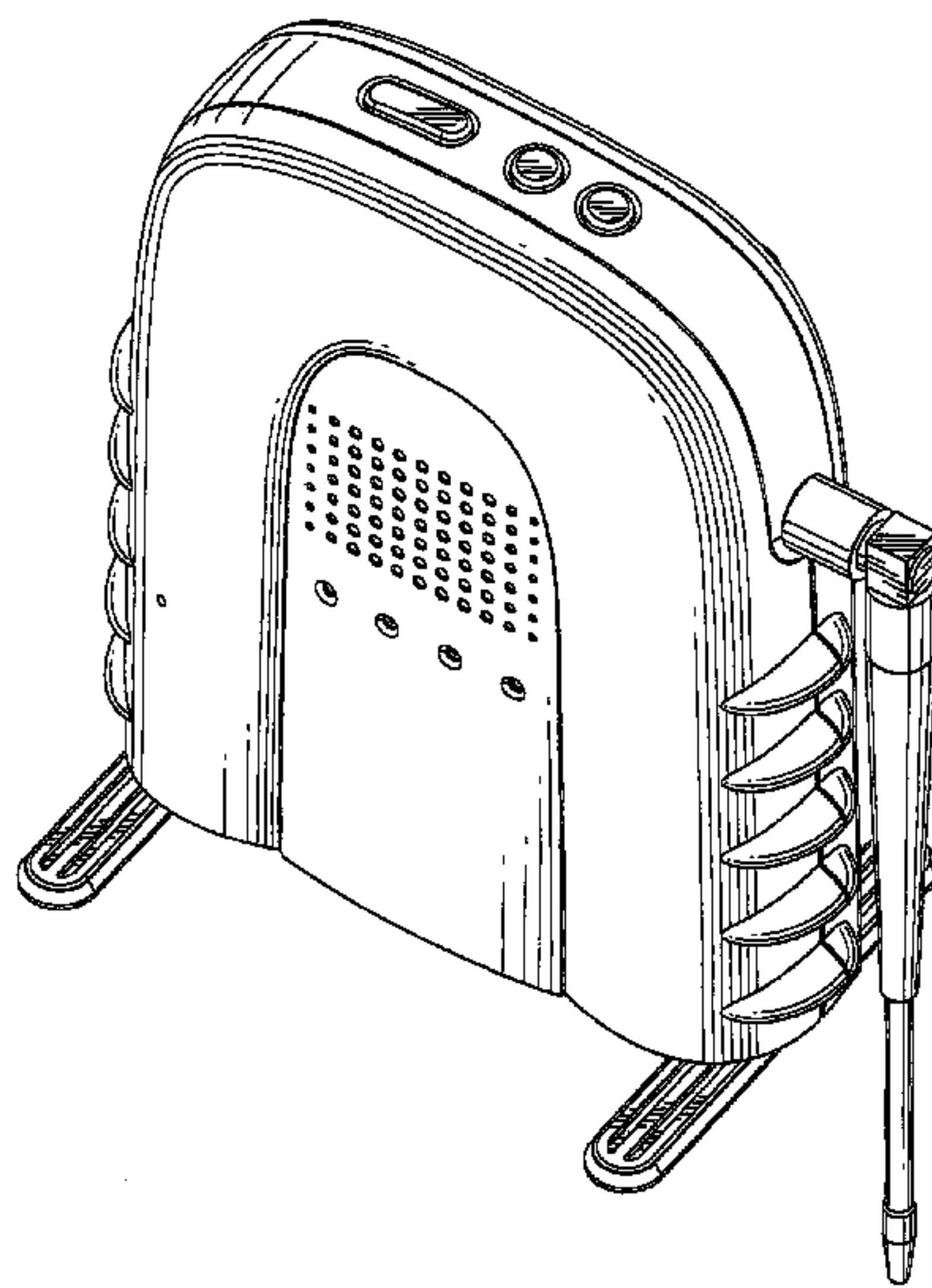
(57) **CLAIM**

The ornamental design for wireless telephone base, as shown and described.

DESCRIPTION

FIG. 1 is a front perspective view of wireless telephone base showing my new design;
FIG. 2 is a front elevational view thereof;
FIG. 3 is a rear elevational view thereof;
FIG. 4 is a left side elevational view thereof;
FIG. 5 is a right side elevational view thereof;
FIG. 6 is a top plan view thereof;
FIG. 7 is a bottom plan view thereof; and,
FIG. 8 is a rear perspective view.

1 Claim, 7 Drawing Sheets



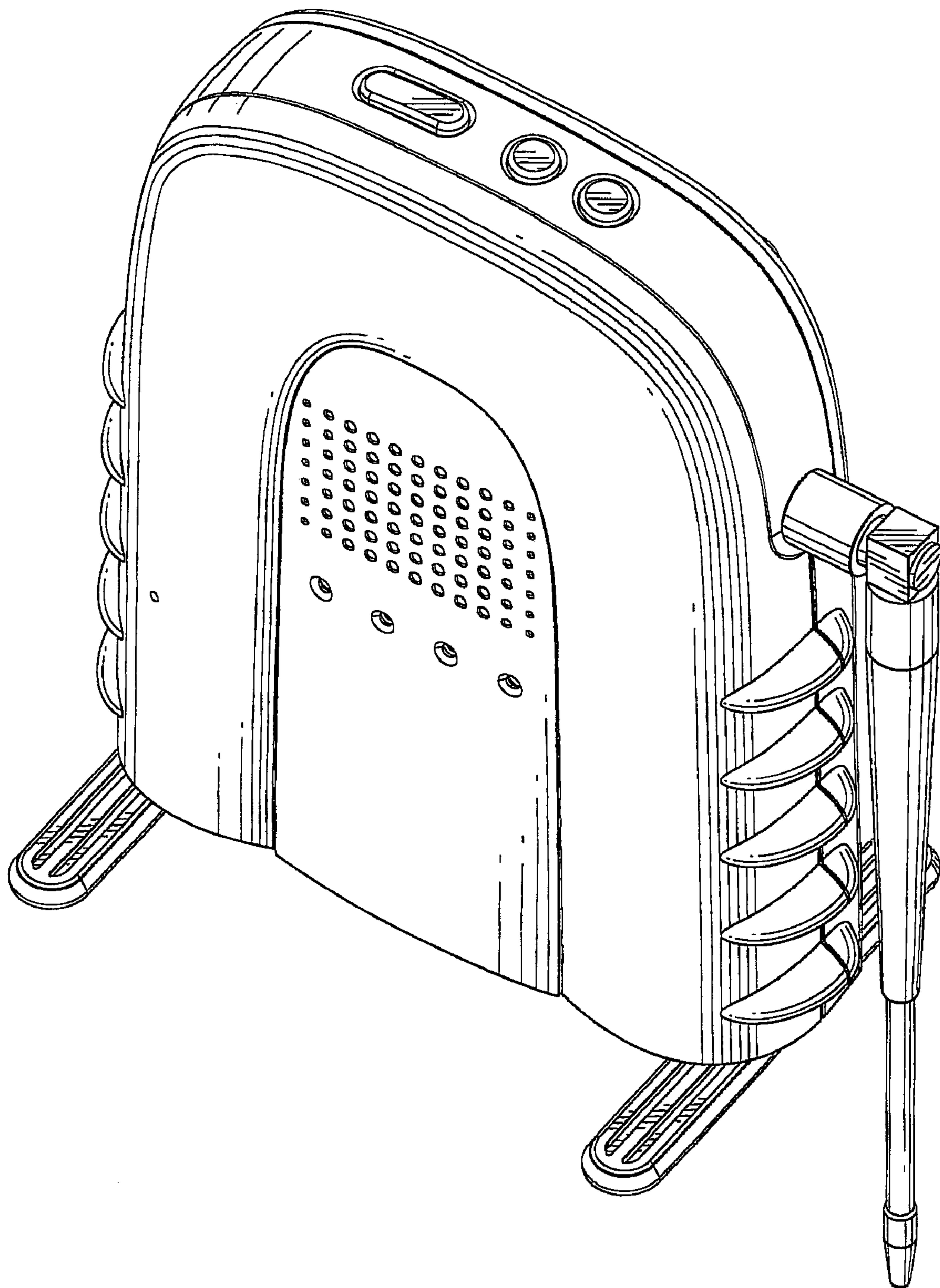


FIG. 1

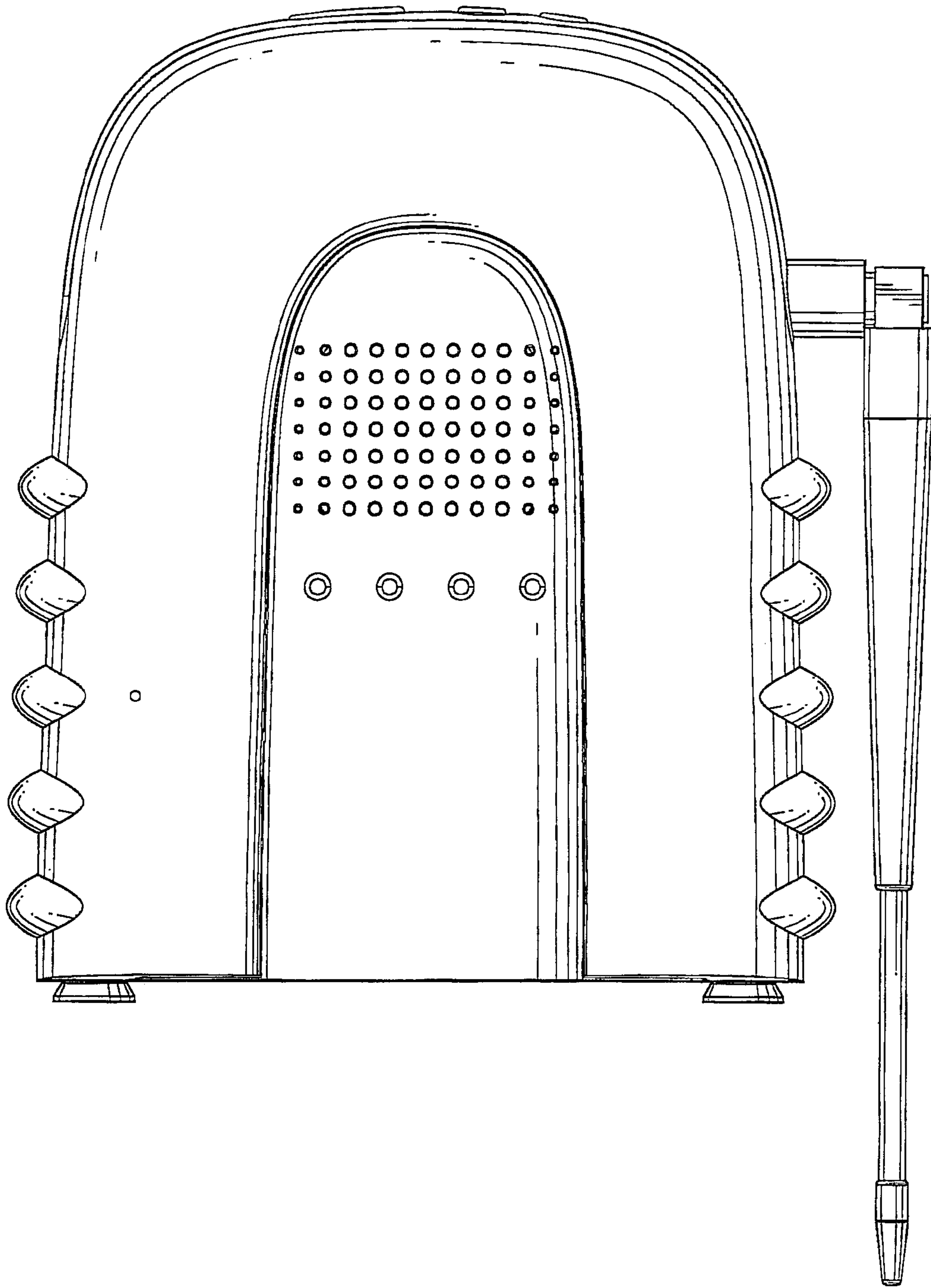


FIG. 2

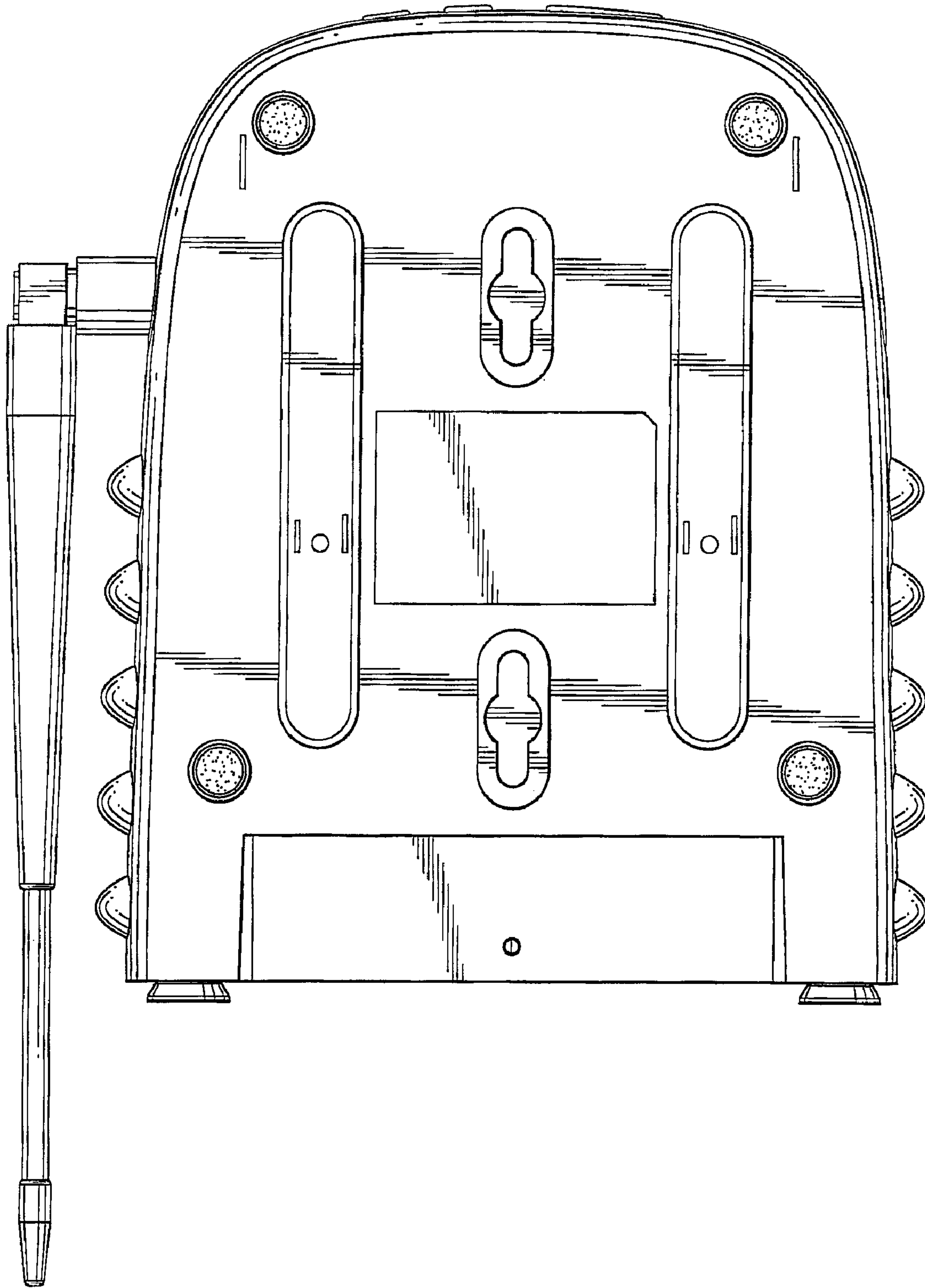


FIG. 3

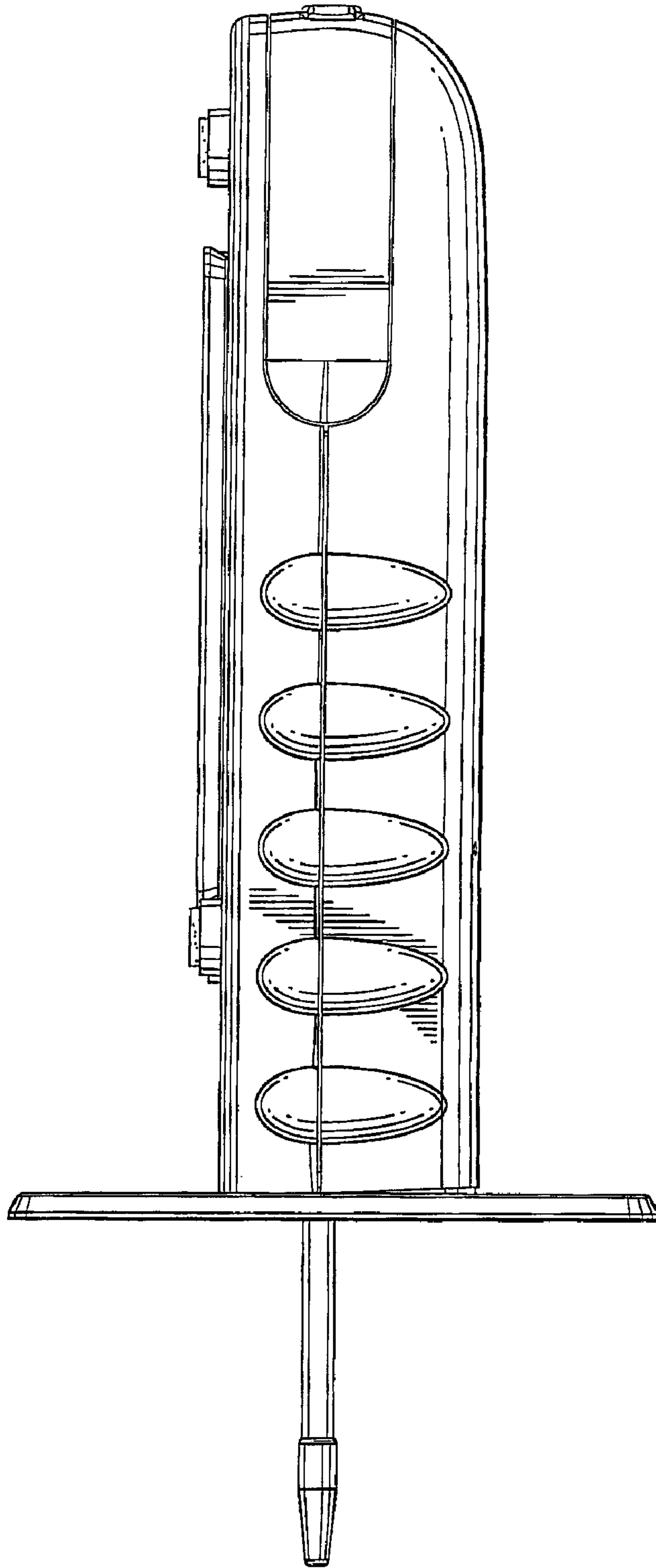


FIG. 4

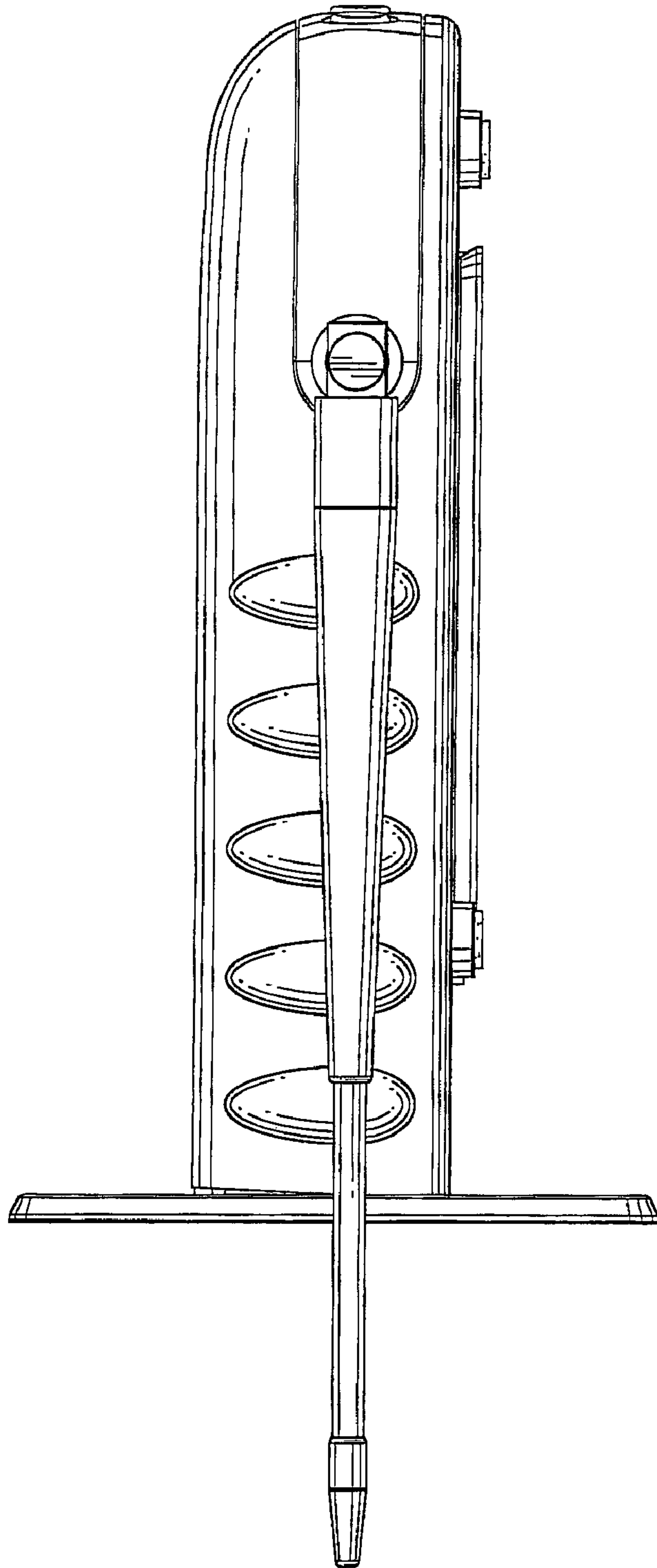


FIG. 5

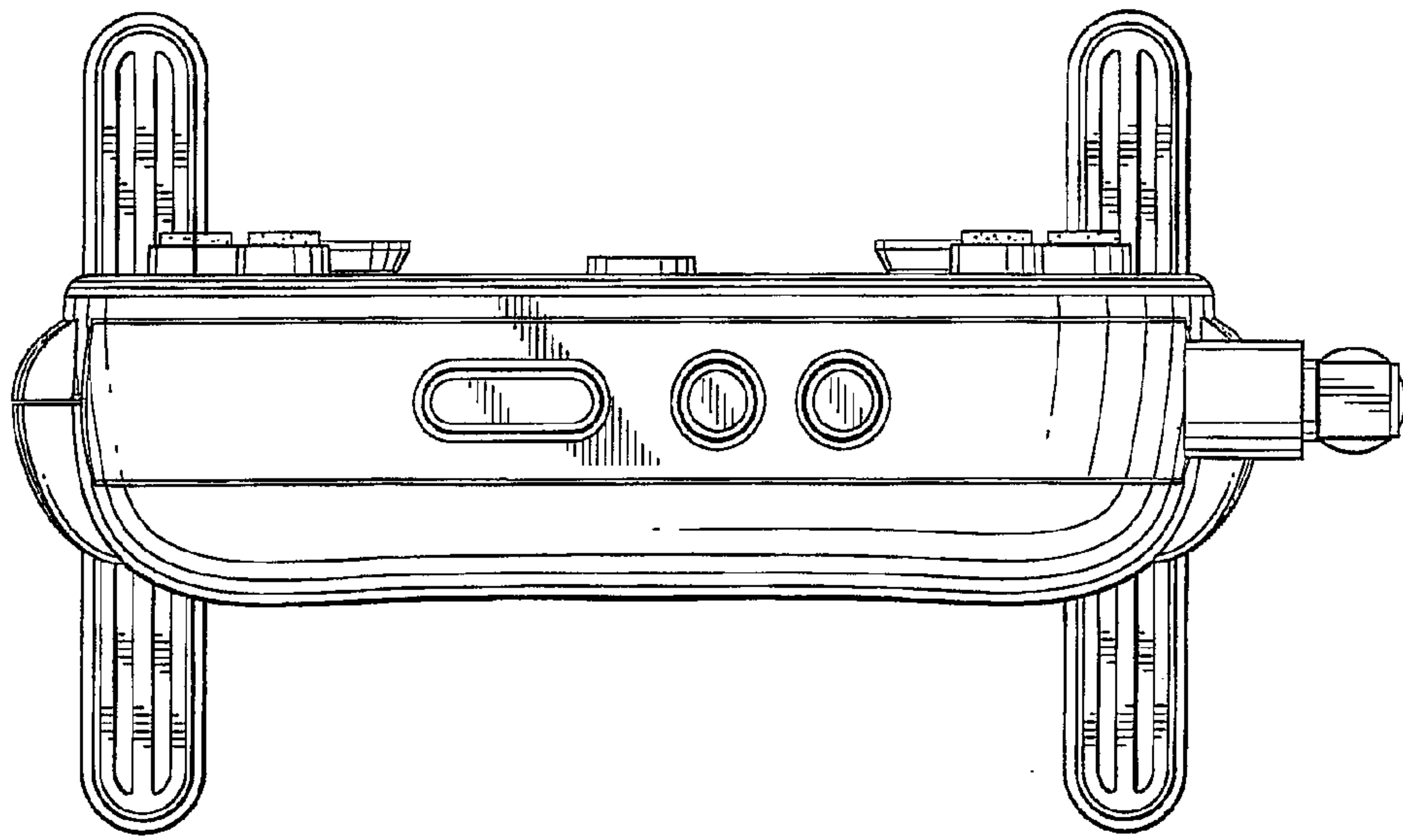


FIG. 6

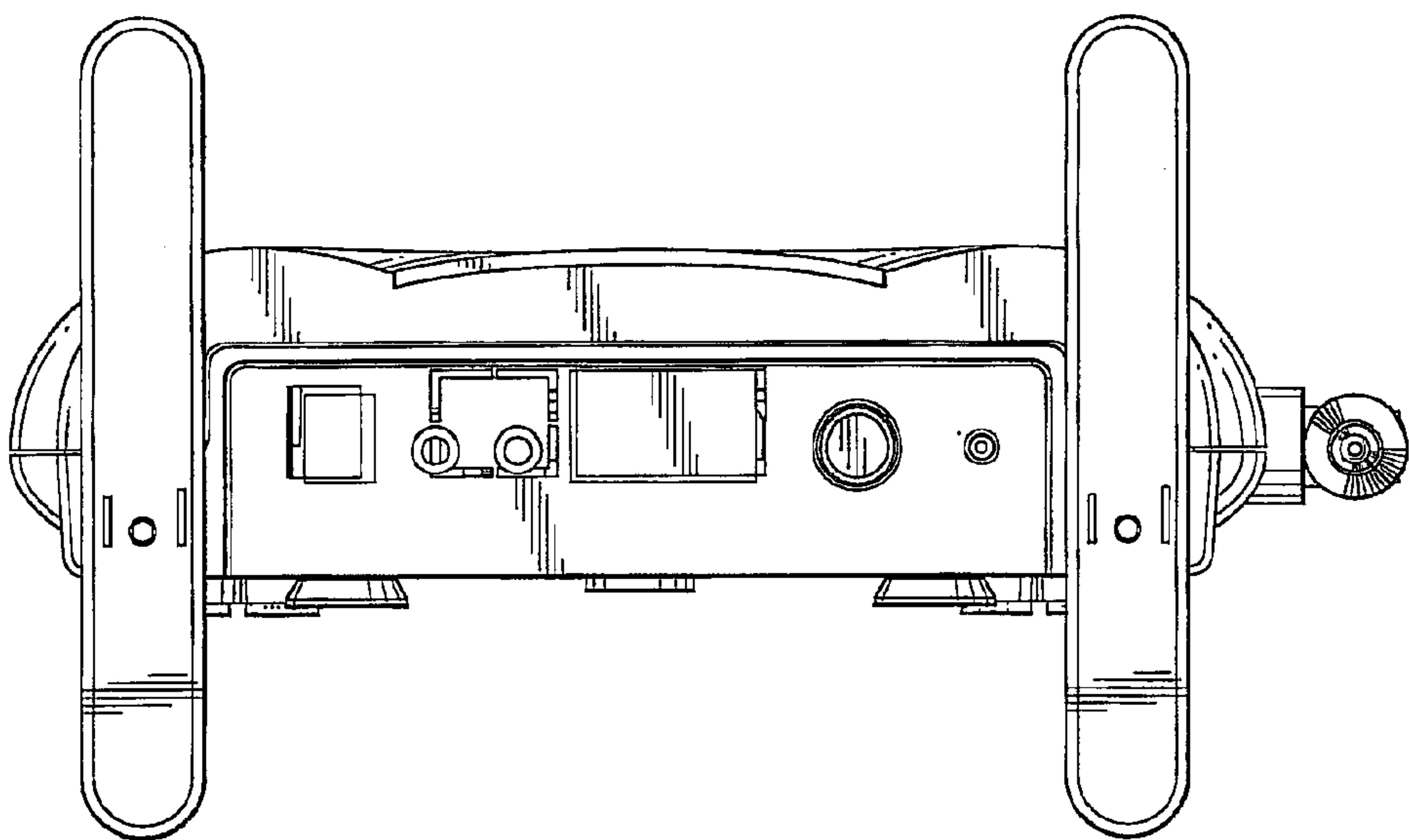


FIG. 7

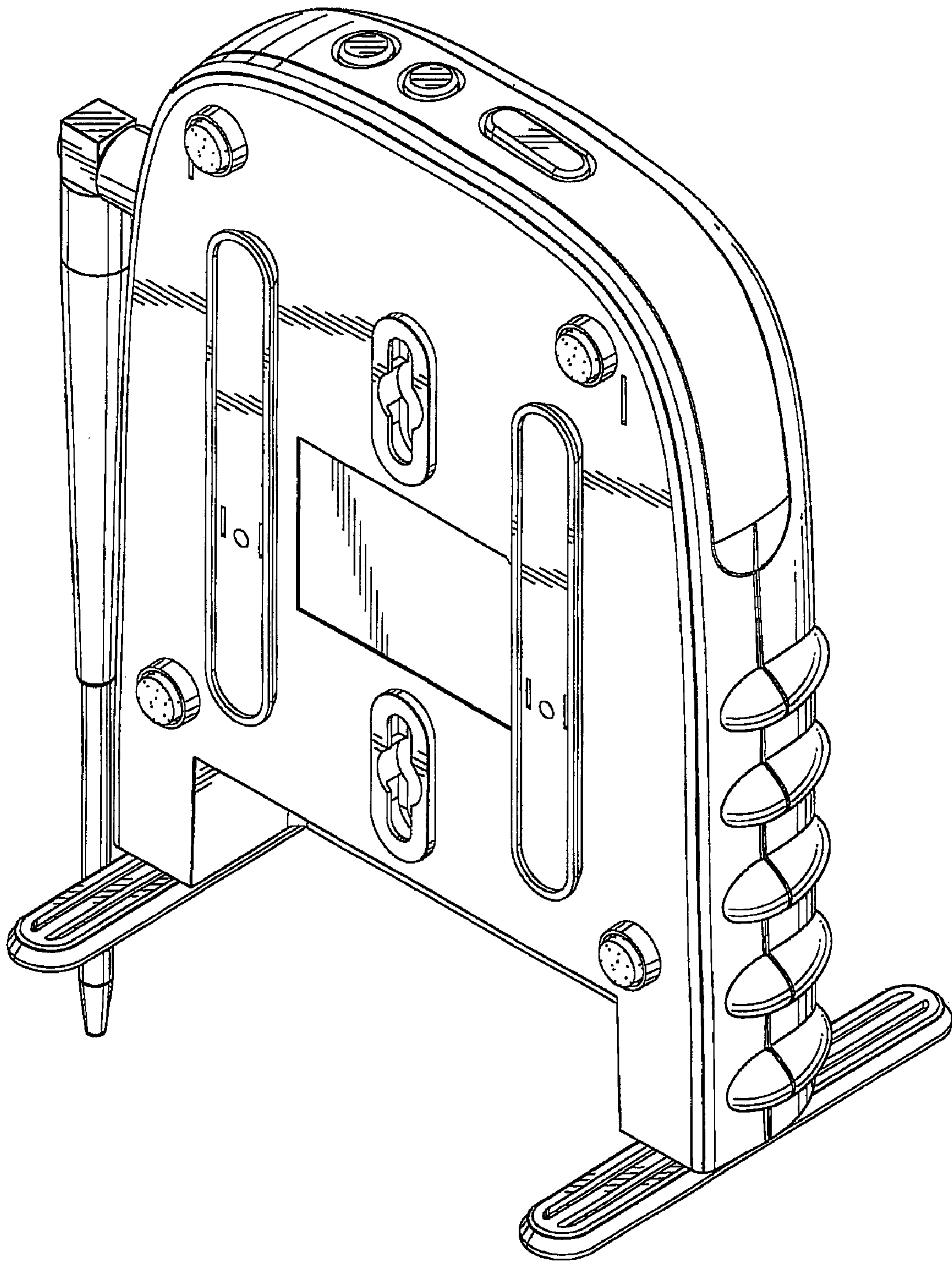


FIG. 8