

US00D525231S

(12) **United States Design Patent**
McMillen et al.

(10) **Patent No.:** **US D525,231 S**
(45) **Date of Patent:** **** Jul. 18, 2006**

(54) **PERSONAL CONFERENCING NODE**
(75) Inventors: **Keith McMillen**, Berkeley, CA (US);
David S. Hishinuma, Fremont, CA
(US); **Keith Edwards**, Antioch, CA
(US)

(73) Assignee: **Plantronics, Inc.**, Santa Cruz, CA (US)

(**) Term: **14 Years**

(21) Appl. No.: **29/207,003**

(22) Filed: **Jun. 3, 2004**

(51) **LOC (8) Cl.** **14-03**

(52) **U.S. Cl.** **D14/149; D14/243; D14/159**

(58) **Field of Classification Search** D14/138,
D14/141.1-141.2, 147, 148, 149, 155, 159,
D14/215, 225, 227, 240, 243, 358; D10/104,
D10/106, 116; 379/14.01, 202.01, 205.01,
379/432, 420.01-420.04, 428.01-428.04;
348/14.08; 370/260; 455/561, 562, 569.1,
455/56

See application file for complete search history.

(56) **References Cited**

U.S. PATENT DOCUMENTS

D246,635 S	*	12/1977	Boldt et al.	D10/106
D257,346 S	*	10/1980	Garrigus et al.	D14/228
D275,187 S	*	8/1984	Skarman	D10/106
D300,322 S	*	3/1989	Lam	D14/189
4,875,234 A	*	10/1989	Tragatschnig	379/434
D307,274 S	*	4/1990	Sasaki et al.	D14/243
D355,386 S	*	2/1995	Fellmann	D10/106
5,778,085 A	*	7/1998	Sasaki	381/71.1
D396,716 S	*	8/1998	Matsuda et al.	D14/150
D406,841 S	*	3/1999	Myung	D14/150
6,016,346 A	*	1/2000	Rittmueller et al.	...	379/420.02

D452,696 S	*	1/2002	Fenton	D16/203
D454,558 S	*	3/2002	Song	D14/245
D468,654 S	*	1/2003	Wunsch	D10/104
D469,071 S	*	1/2003	Hsu	D14/142
D474,169 S	*	5/2003	Fletcher	D14/159
D482,020 S	*	11/2003	Olson et al.	D14/216
D487,405 S	*	3/2004	Job	D10/106
D488,794 S	*	4/2004	Chen	D14/150
D491,909 S	*	6/2004	Sun	D14/150
D491,968 S	*	6/2004	Isshiki	D16/203
2003/0053620 A1	*	3/2003	Chen	379/447
2005/0285935 A1	*	12/2005	Hodges et al.	348/14.08
2005/0286443 A1	*	12/2005	McMillen et al.	370/260

* cited by examiner

Primary Examiner—Jeffrey D. Asch
Assistant Examiner—Carla Jobe Wright

(57) **CLAIM**

The ornamental design for a personal conferencing node, as shown.

DESCRIPTION

FIG. 1 is perspective view of a personal conferencing node. FIG. 2 is a front view of the personal conferencing node of FIG. 1.

FIG. 3 is a rear view of the personal conferencing node of FIG. 1.

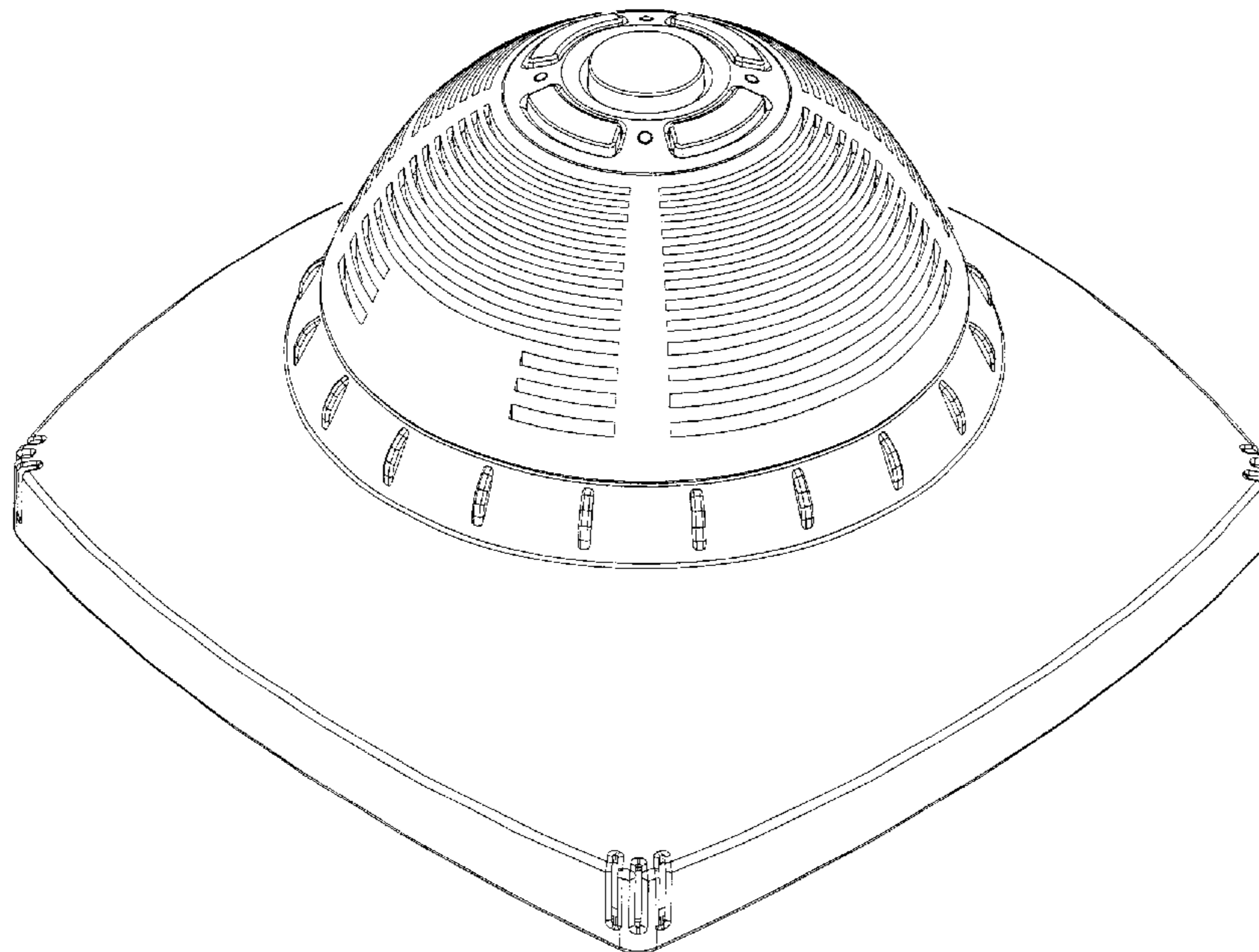
FIG. 4 is a left side view of the personal conferencing node of FIG. 1.

FIG. 5 is a right side view of the personal conferencing node of FIG. 1.

FIG. 6 is top view of the personal conferencing node of FIG. 1; and,

FIG. 7 is a bottom view of the personal conferencing node of FIG. 1.

1 Claim, 7 Drawing Sheets



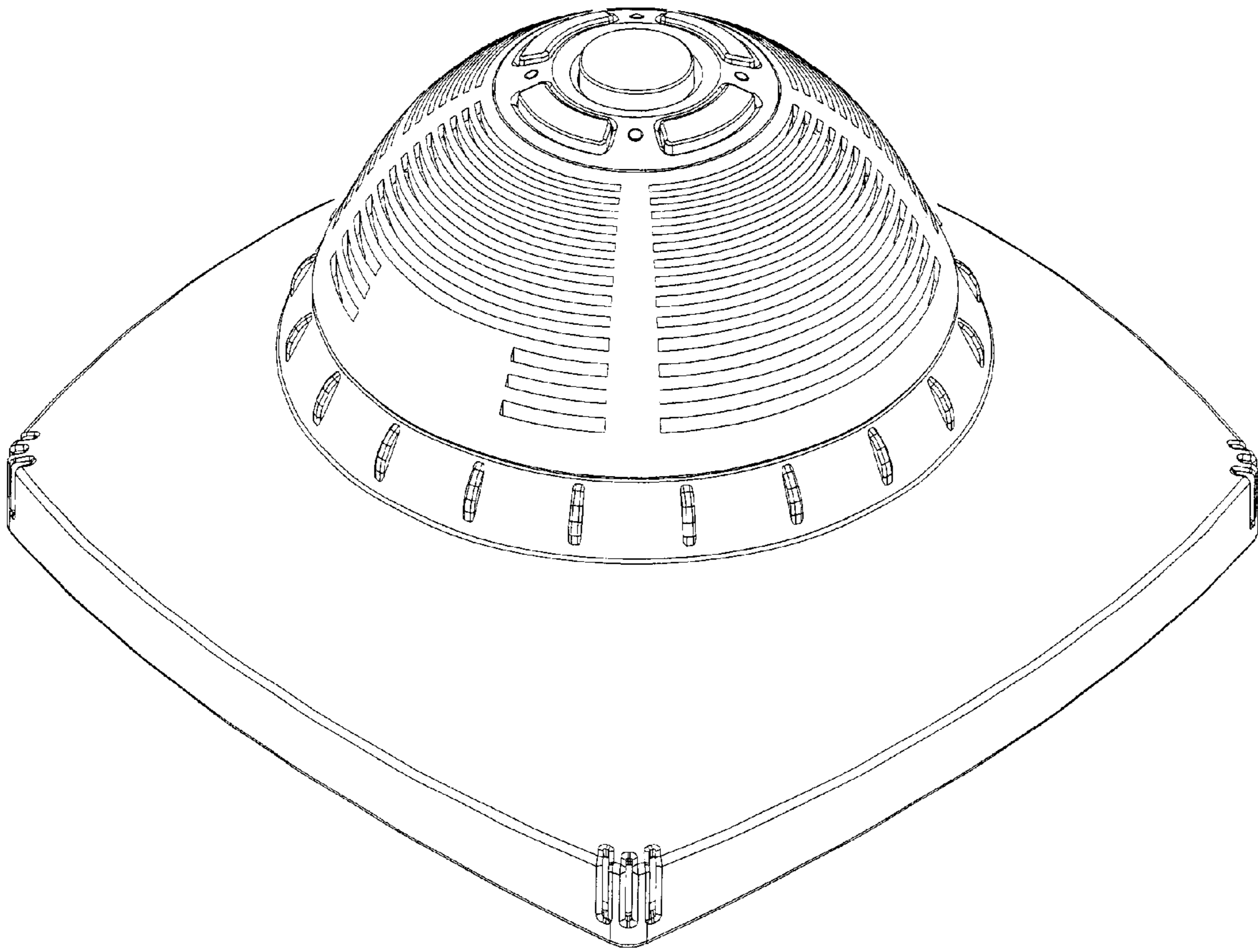


FIG. 1

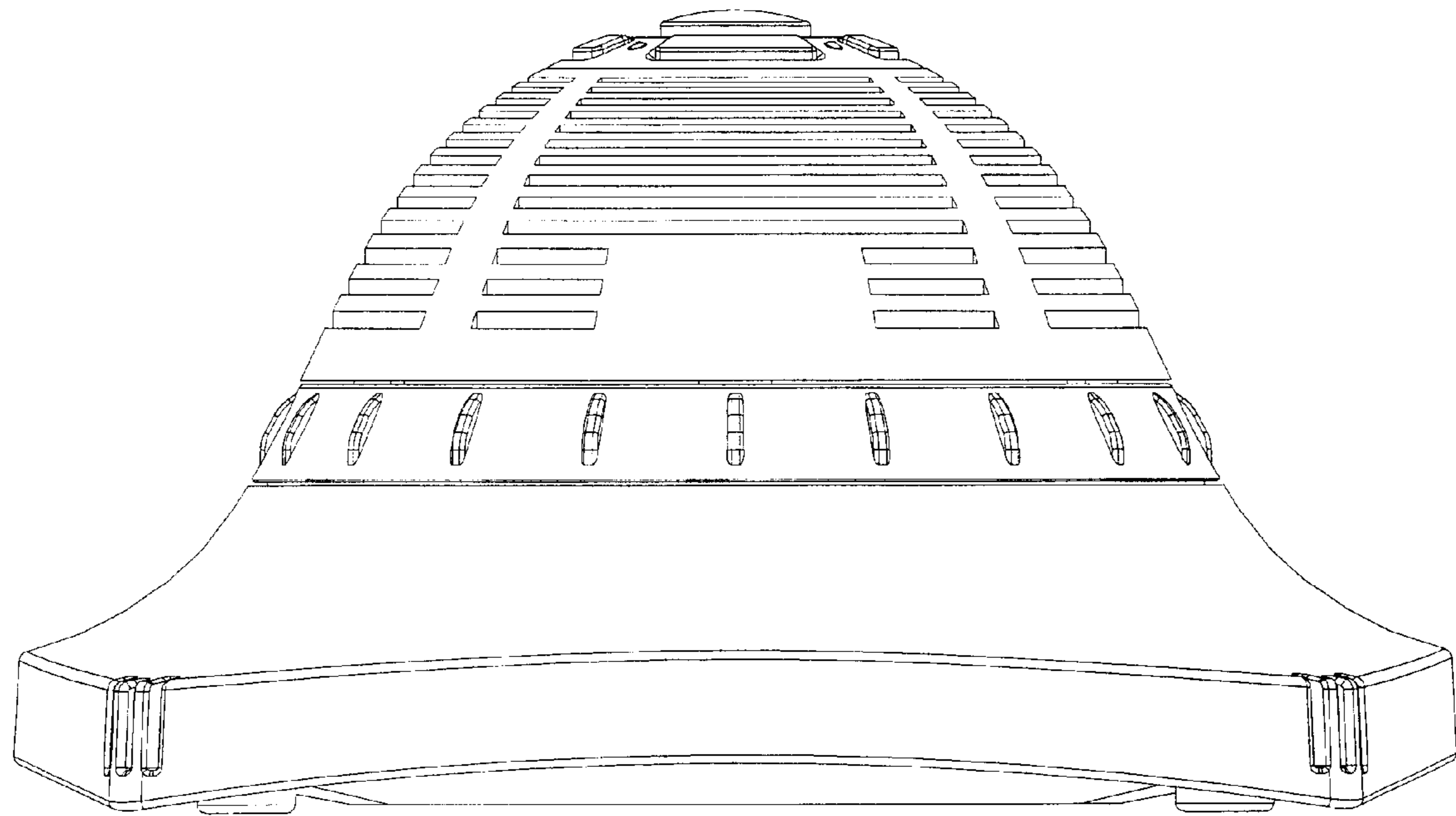


FIG. 2

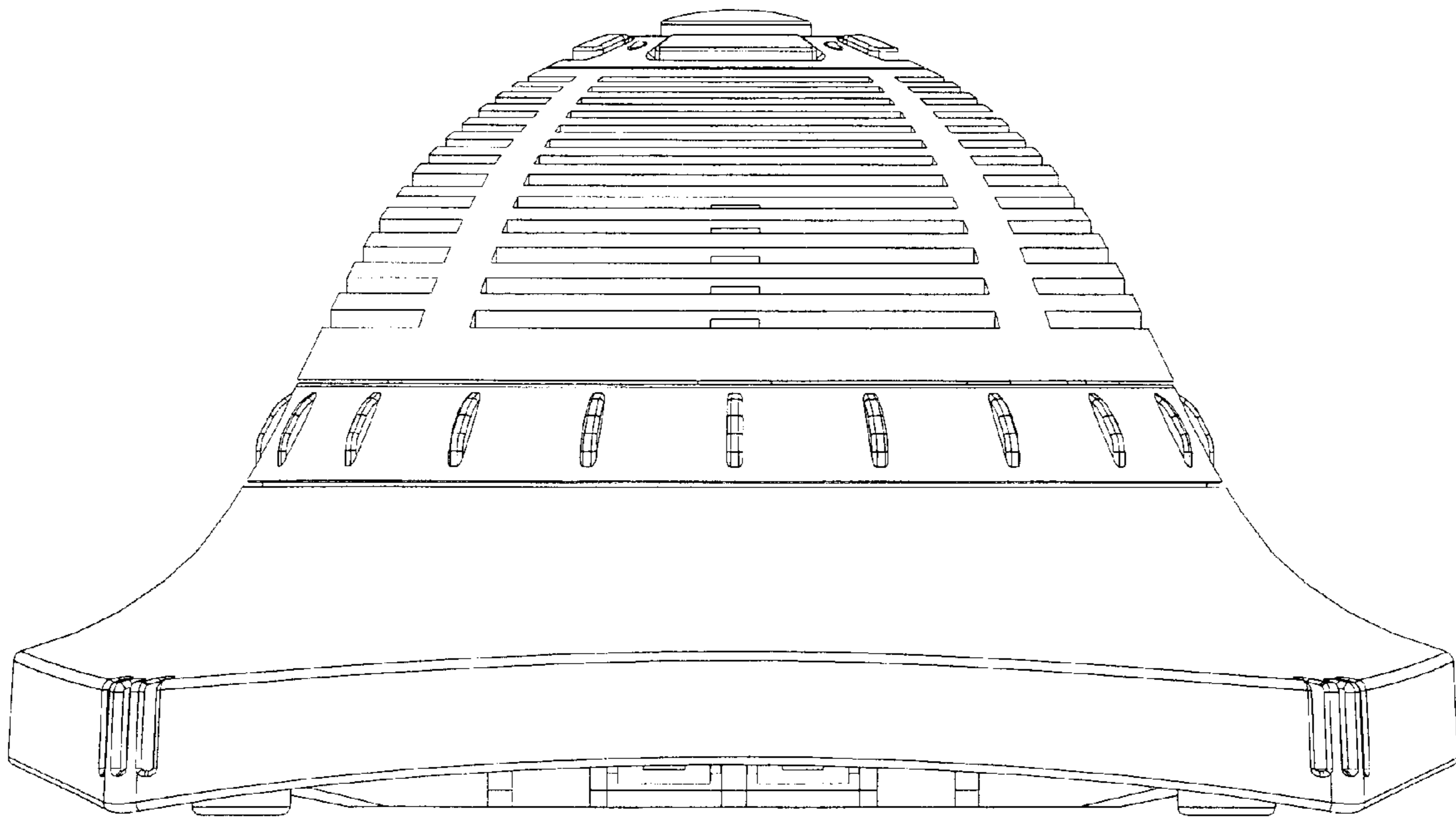


FIG. 3

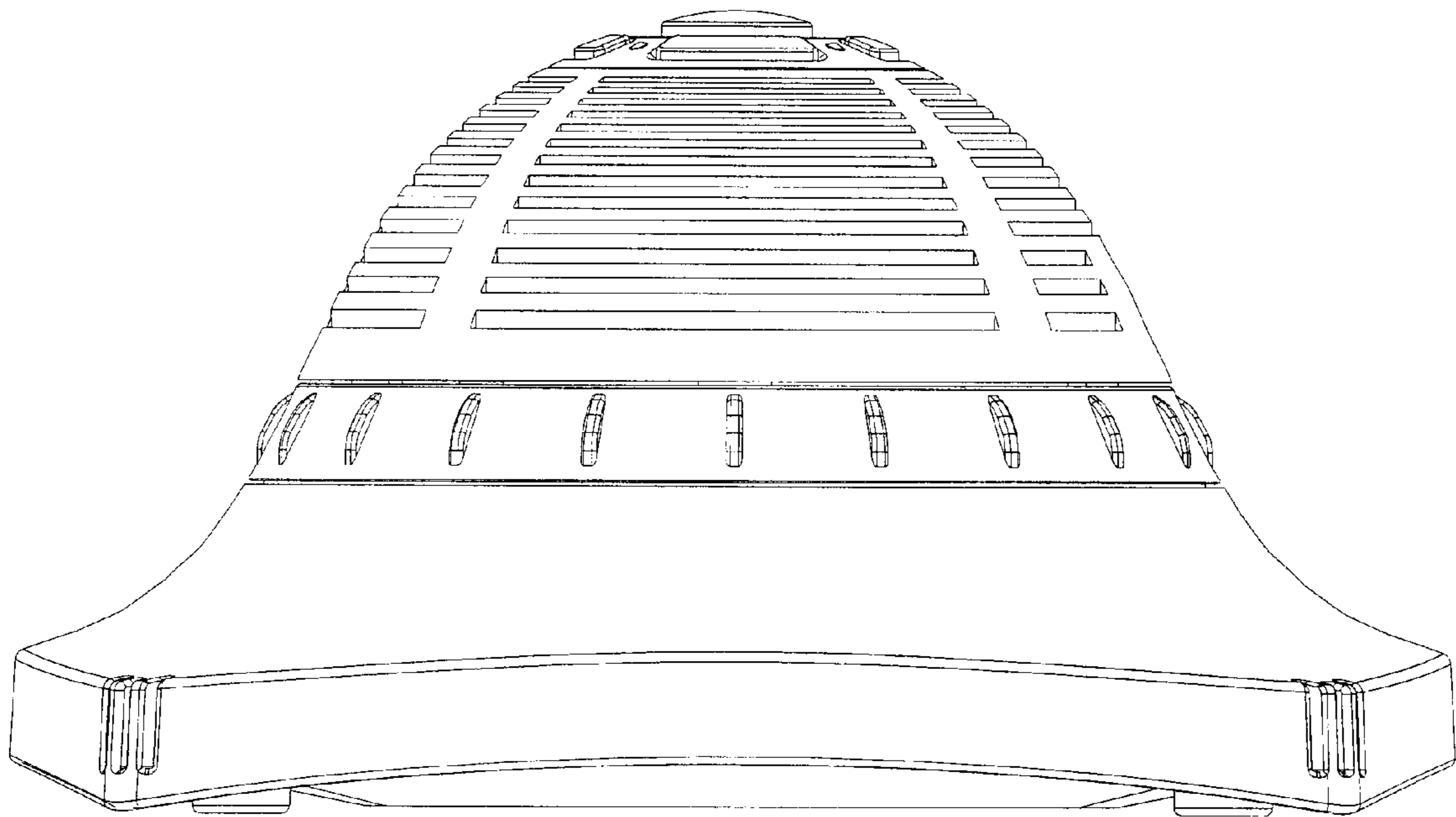


FIG. 4

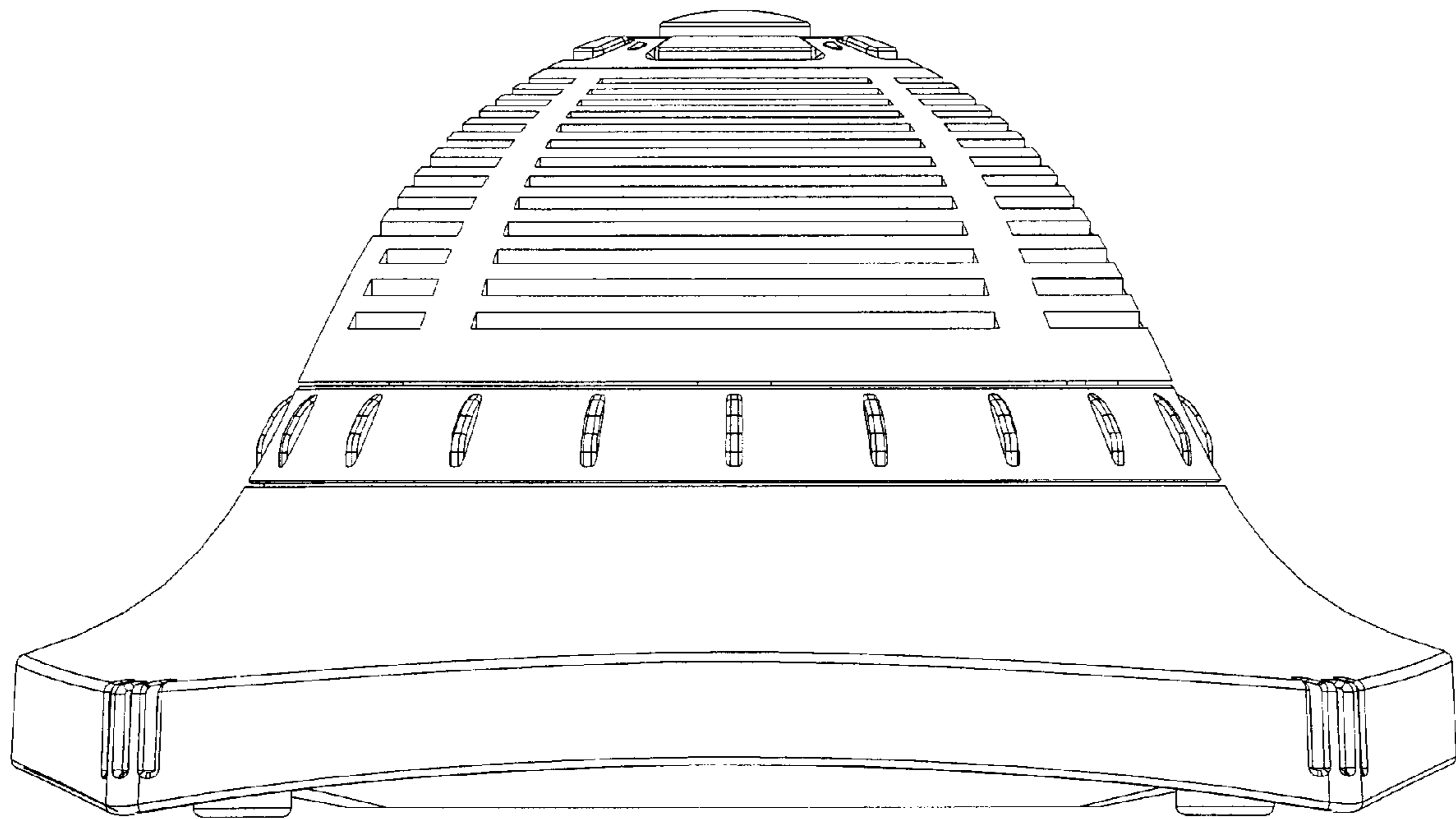


FIG. 5

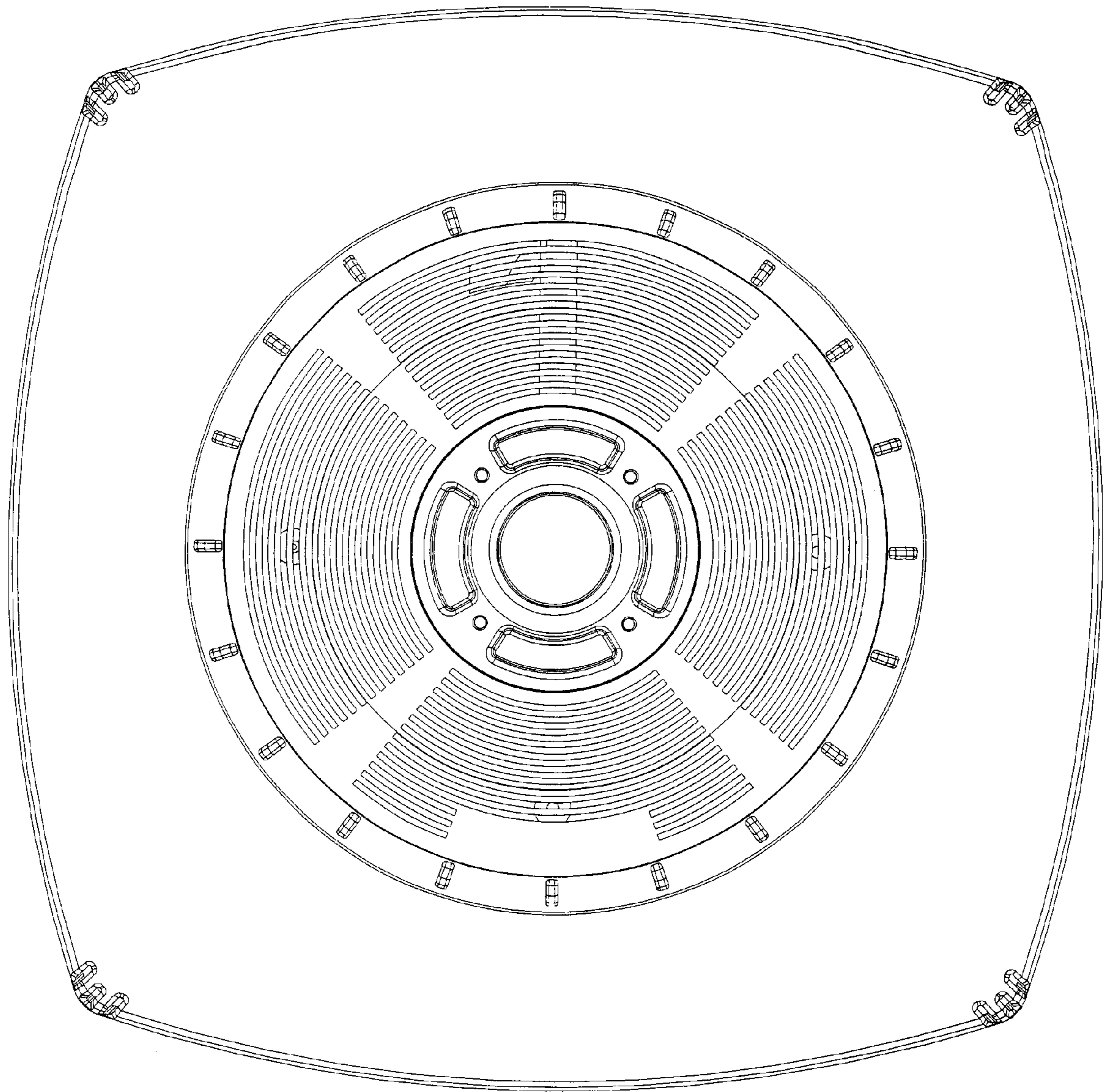


FIG. 6

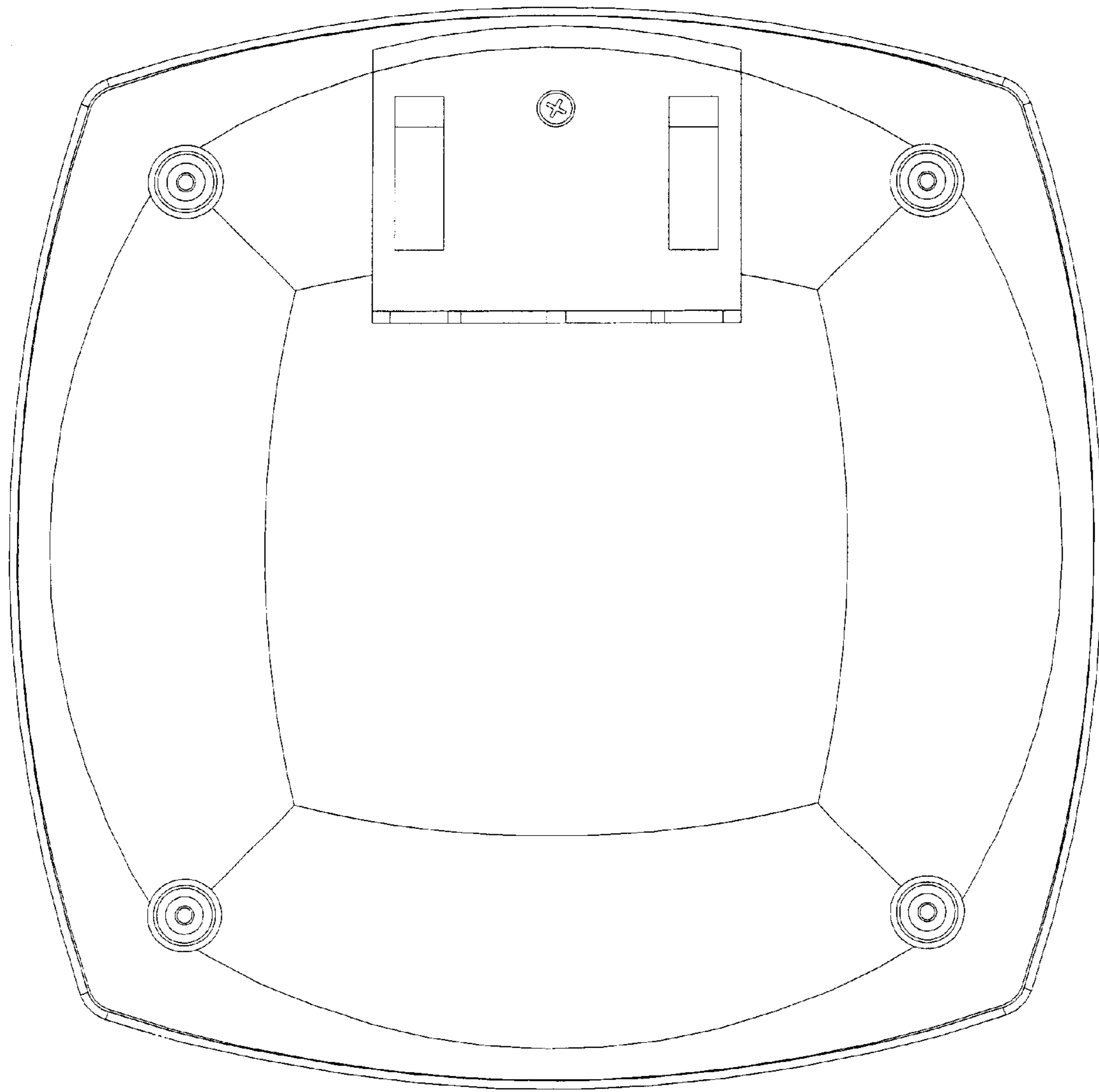


FIG. 7