



US00D525229S

(12) **United States Design Patent** (10) **Patent No.:** **US D525,229 S**
Friesen et al. (45) **Date of Patent:** **** Jul. 18, 2006**

(54) **MOBILE PHONE**

(75) Inventors: **Mark Friesen**, Tokyo (JP); **Koichi Kawano**, Kawasaki (JP); **Shinichiro Mori**, Hachioji (JP); **Nobutsugu Fujino**, Yokohama (JP)

(73) Assignee: **Fujitsu Limited**, Kawasaki (JP)

(**) Term: **14 Years**

(21) Appl. No.: **29/223,147**

(22) Filed: **Feb. 10, 2005**

(30) **Foreign Application Priority Data**

Aug. 13, 2004 (JP) 2004-024343

(51) **LOC (8) Cl.** **14-03**

(52) **U.S. Cl.** **D14/138**

(58) **Field of Classification Search** D14/137,
D14/138, 147-148, 247-248, 144, 218, 341-347;
379/433.01-433.13, 434; D13/168; D21/517;
455/556.1, 556.2, 566, 575.1, 90.3

See application file for complete search history.

(56) **References Cited**

U.S. PATENT DOCUMENTS

D345,734 S	*	4/1994	Seymour et al.	D14/138
D376,989 S	*	12/1996	McCain	D10/78
D428,883 S	*	8/2000	Mizusugi et al.	D14/346
D437,301 S	*	2/2001	Meyer	D14/138
D479,514 S	*	9/2003	Chan	D14/138
D485,819 S	*	1/2004	Ahlgren	D14/138
6,674,996 B1	*	1/2004	Weckstrom	455/90.3
D487,069 S	*	2/2004	Thaler et al.	D14/138
D488,789 S	*	4/2004	Lee, II	D14/138
D492,276 S	*	6/2004	Walliser et al.	D14/138
D494,949 S	*	8/2004	Arnholt et al.	D14/138
D496,642 S	*	9/2004	Harries et al.	D14/138
D496,921 S	*	10/2004	Hwang	D14/138
D497,892 S	*	11/2004	Peng	D14/138

(Continued)

FOREIGN PATENT DOCUMENTS

WO DM/066599 * 4/2005
WO DM/066609 * 4/2005

OTHER PUBLICATIONS

Sagem MY 400X telephone, announced first quarter 2006, [online], [retrieved on Feb. 3, 2006]. Retrieved from Internet ,URL: <http://www.gsmarena.com>>.*

Siemens CC75 telephone, announced Aug. 2005, [online], [retrieved on Feb. 3, 2006]. Retrieved from Internet ,URL: <http://www.gsmarena.com>>.*

BenQ-Siemens S68 telephone, announced Jan. 2006, [online], [retrieved on Feb. 3, 2006]. Retrieved from Internet , URL: <http://www.gsmarena.com>>.*

Qtek 8020 telephone, announced third quarter 2004, [online], [retrieved on Feb, 3, 2006]. Retrieved from Internet , URL: <http://www.gsmarena.com>>.*

Picture of Net2-Com WiPCom; <http://www.net-2com.com>.

Picture of Nokia 6230; <http://www.nokia.com/nokia/0,47665,00.html>.

Picture of Nokia 6220; <http://www.nokia.com/nokia/0,5879,,00html>.

Picture of Sony Ericsson T630, <http://www.stf-phone.com/shopdetail/001002000004>.

Primary Examiner—Jeffrey Asch

(74) *Attorney, Agent, or Firm*—Staas & Halsey LLP

(57) **CLAIM**

The ornamental design for a mobile phone, as shown and described.

DESCRIPTION

FIG. 1 is a perspective view of the top, front and right side of a mobile phone showing our new design;

FIG. 2 is a front view thereof;

FIG. 3 is a rear view thereof;

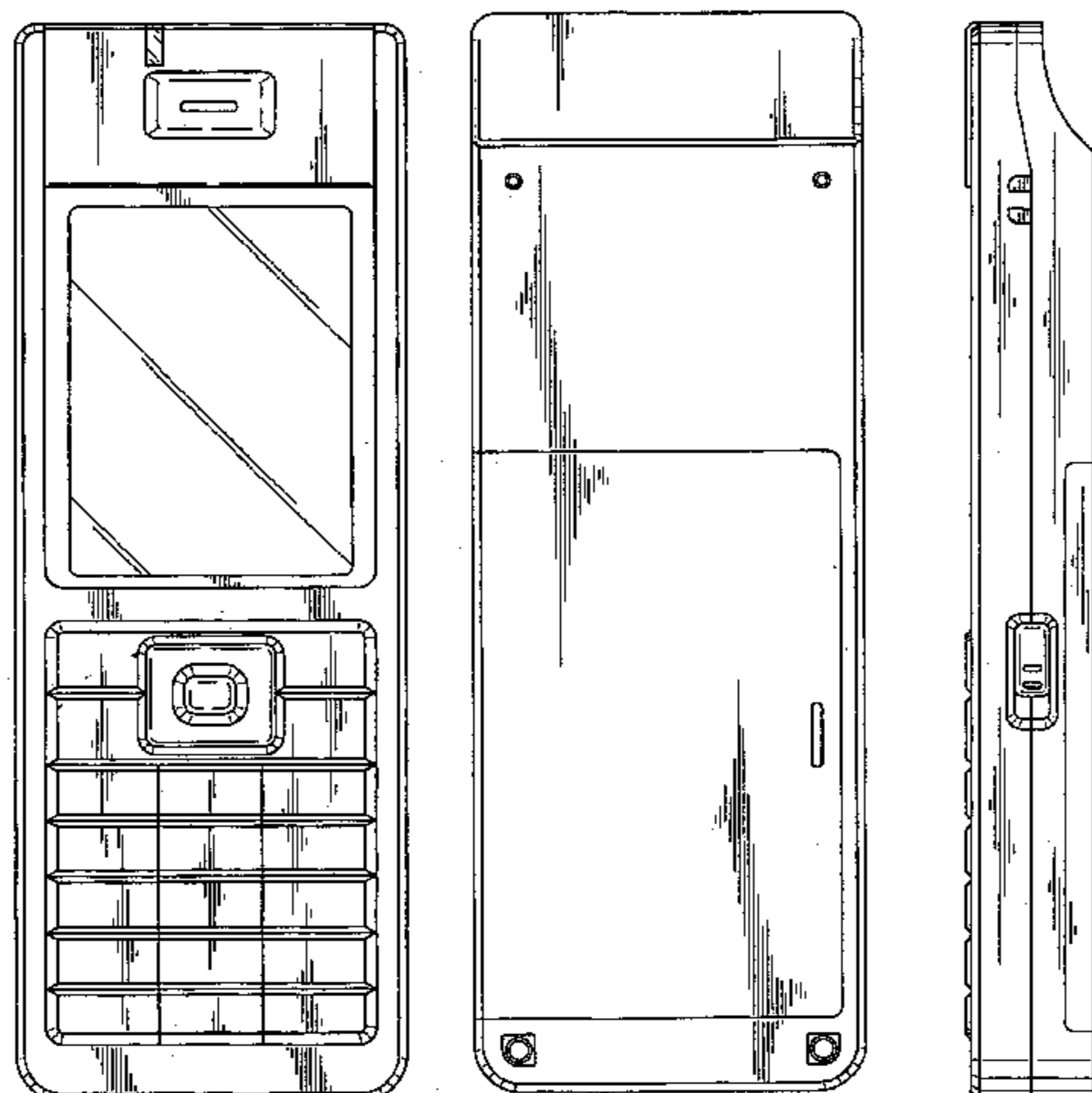
FIG. 4 is a left side view thereof;

FIG. 5 is a right side view thereof;

FIG. 6 is a top plan view thereof; and,

FIG. 7 is a bottom view thereof.

1 Claim, 5 Drawing Sheets



US D525,229 S

Page 2

U.S. PATENT DOCUMENTS

D499,709 S	*	12/2004	Nuovo et al.	D14/138	D514,079 S	*	1/2006	Lai	D14/138
D500,992 S	*	1/2005	Shen et al.	D14/138	2003/0013507 A1	*	1/2003	Sato	455/575
D502,160 S	*	2/2005	Chen et al.	D14/138	2004/0180703 A1	*	9/2004	Kim et al.	455/575.1
D505,932 S	*	6/2005	Eckholm et al.	D14/138	2005/0003852 A1	*	1/2005	Song	455/550.1
D508,902 S	*	8/2005	Lee et al.	D14/138	2005/0014537 A1	*	1/2005	Gammon et al.	455/575.1
D513,740 S	*	1/2006	Park et al.	D14/138	2005/0245297 A1	*	11/2005	Lee et al.	455/575.4
D513,741 S	*	1/2006	Jensfelt	D14/138	2005/0250530 A1	*	11/2005	Tanaka	455/550.1

* cited by examiner

FIG. 1

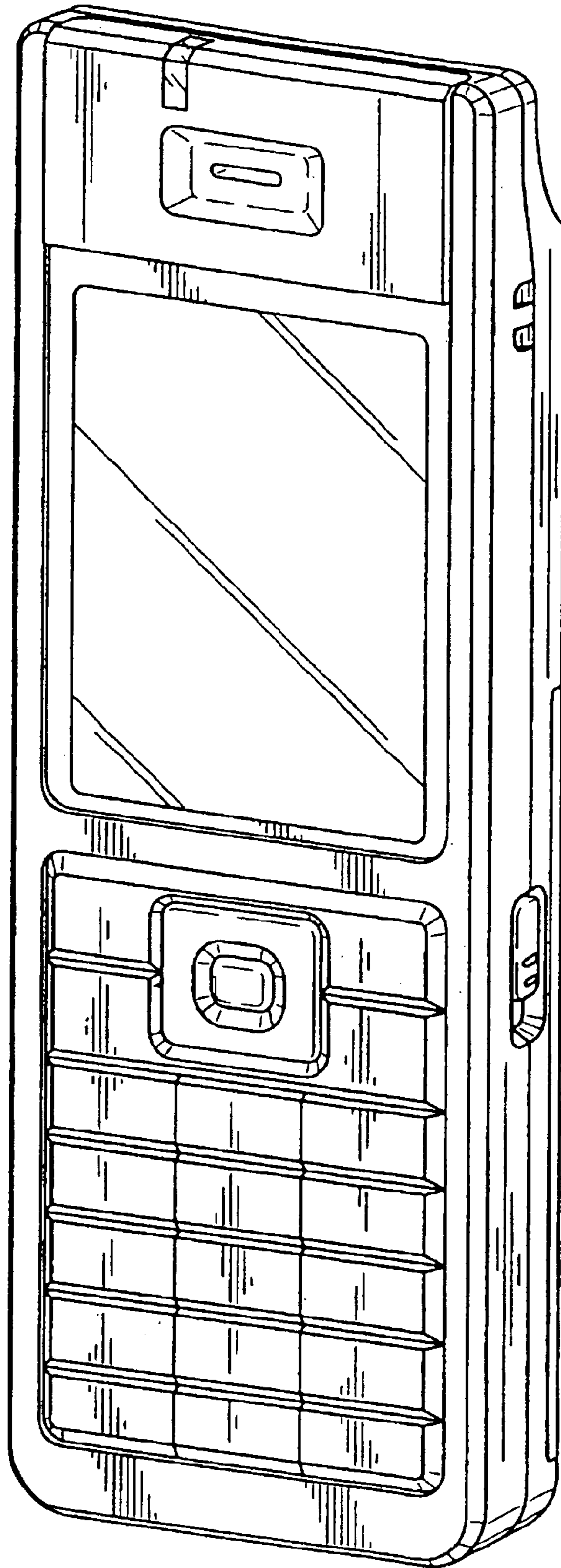


FIG. 2

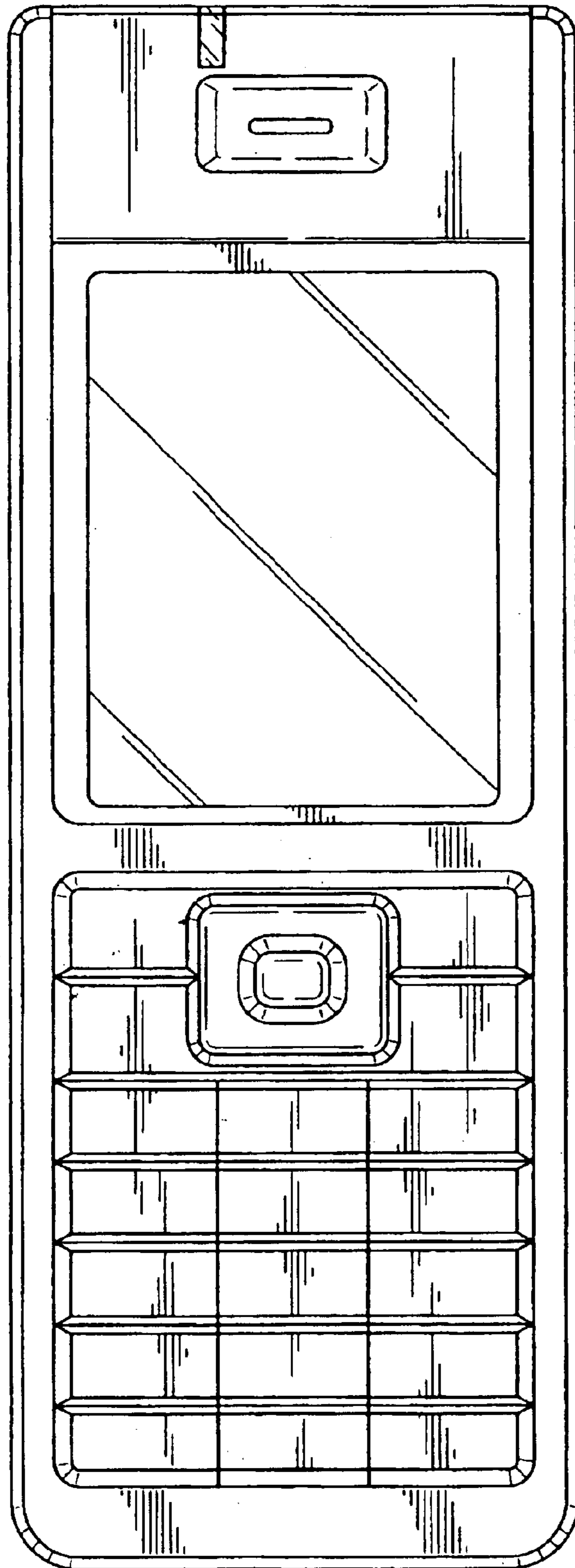


FIG. 3

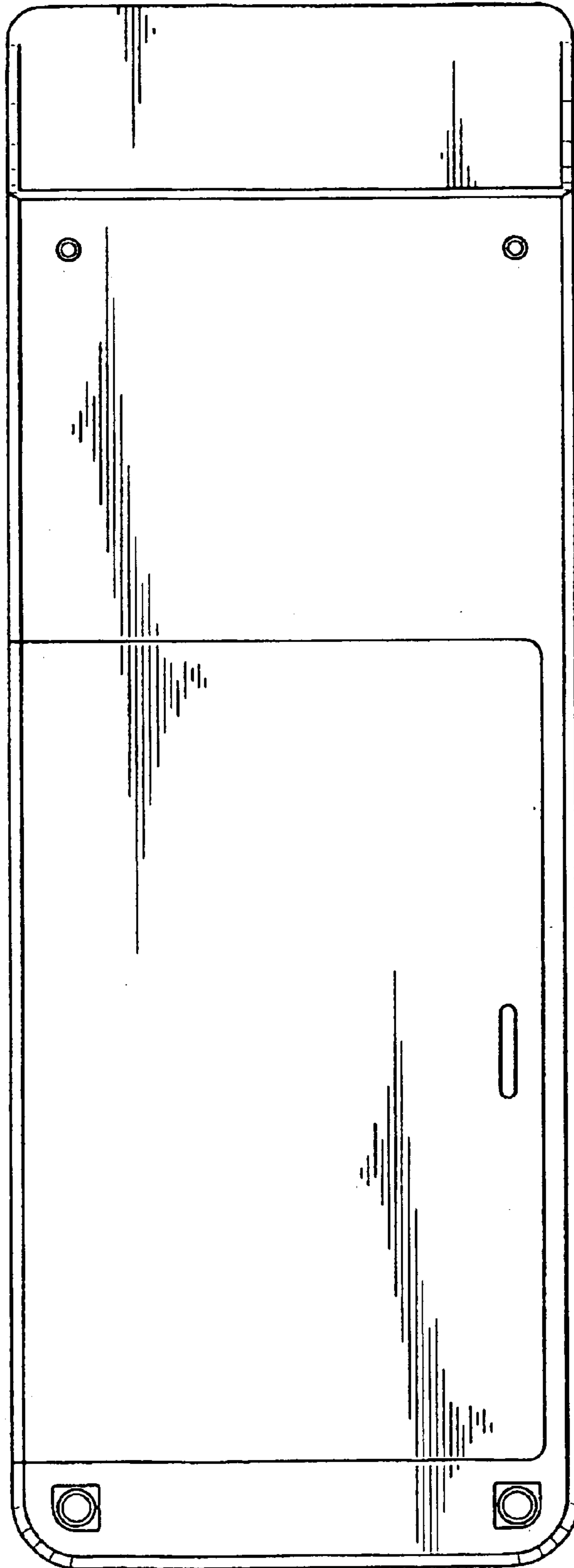


FIG. 4

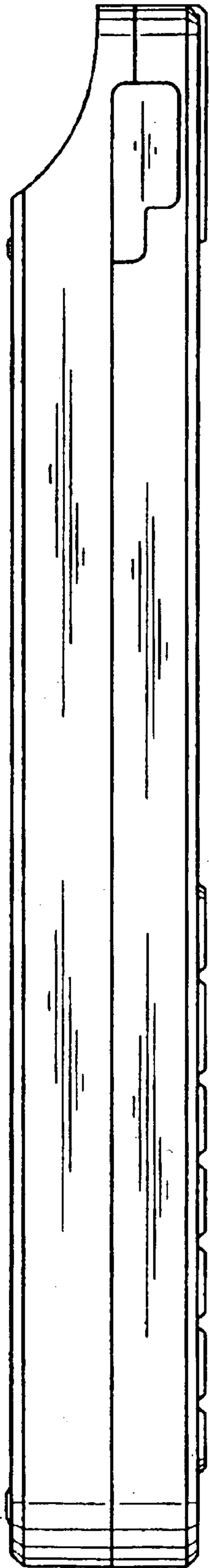


FIG. 5

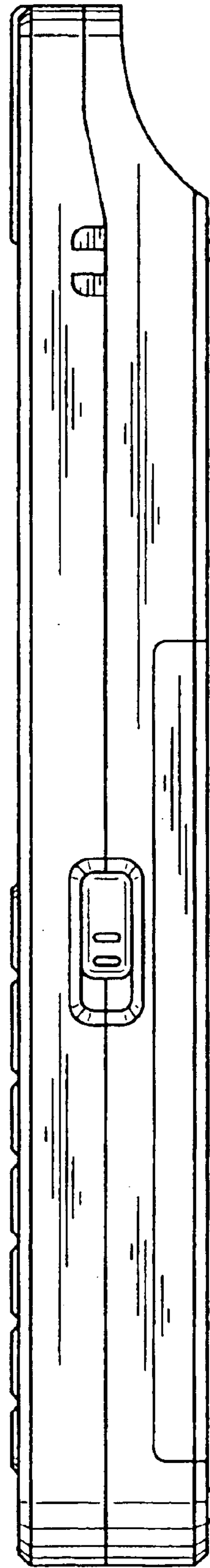


FIG. 6

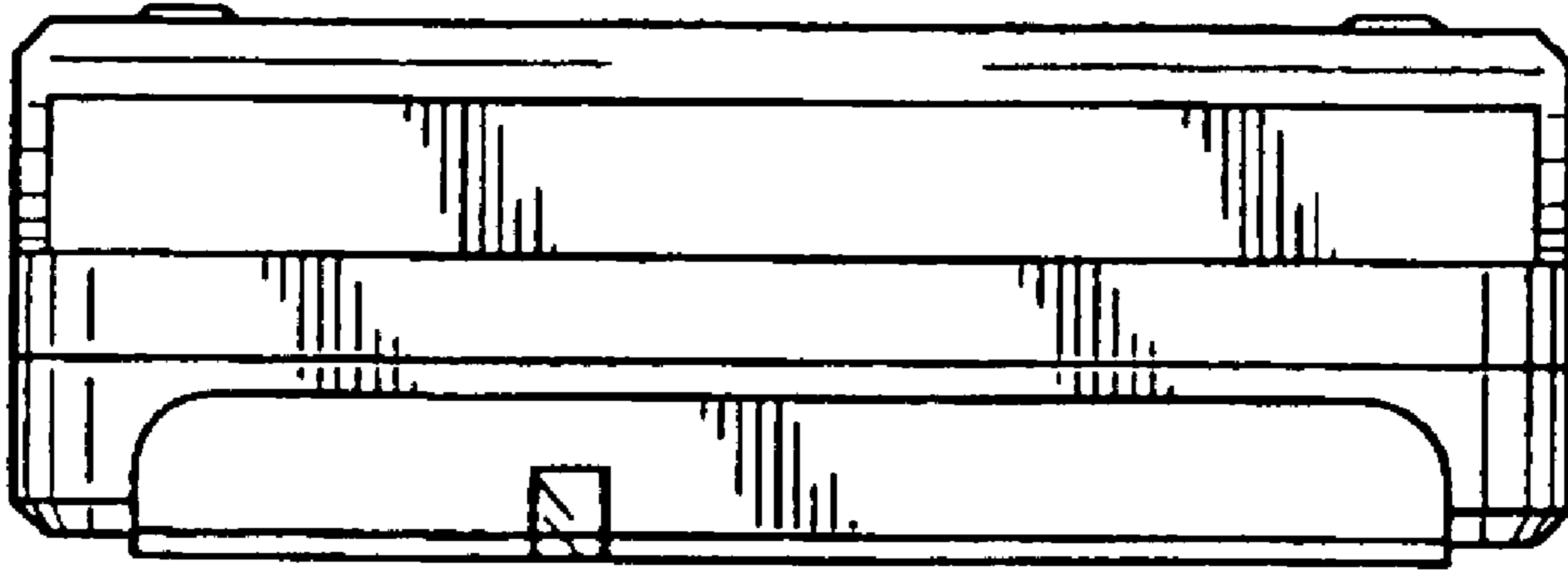


FIG. 7

