

US00D525228S

(12) **United States Design Patent**
Kim et al.

(10) **Patent No.:** **US D525,228 S**

(45) **Date of Patent:** **** Jul. 18, 2006**

(54) **CELLULAR PHONE**

(75) Inventors: **Nam Mi Kim**, Seoul (KR); **Jae Woong Chung**, Sungnam-si (KR); **Chang Hwan Hwang**, Goyang-si (KR); **Min Hyouk Lee**, Suwon-si (KR)

(73) Assignee: **Samsung Electronics Co., Ltd.** (KR)

(**) **Term:** **14 Years**

(21) **Appl. No.:** **29/222,274**

(22) **Filed:** **Jan. 27, 2005**

(30) **Foreign Application Priority Data**

Jan. 19, 2005 (KR) 30-2005-0001589

(51) **LOC (8) Cl.** **14-03**

(52) **U.S. Cl.** **D14/138**

(58) **Field of Classification Search** D14/137,
D14/138, 147-148, 247-248, 144, 218, 341-347;
379/433.01-433.13, 434; D13/168; D21/517;
455/556.1, 556.2, 566, 575.1, 90.3
See application file for complete search history.

(56) **References Cited**

U.S. PATENT DOCUMENTS

D385,875 S	*	11/1997	Harris et al.	D14/138
D390,509 S	*	2/1998	Antzinas et al.	D14/138
D469,748 S	*	2/2003	Ribeiro et al.	D14/138
D484,475 S	*	12/2003	Sheu	D14/138
D487,069 S	*	2/2004	Thaler et al.	D14/138
D488,789 S	*	4/2004	Lee	D14/138
D492,276 S	*	6/2004	Walliser et al.	D14/138
D492,659 S	*	7/2004	Medeiros et al.	D14/138
D496,642 S	*	9/2004	Harries et al.	D14/138
D496,921 S	*	10/2004	Hwang	D14/138
D498,735 S	*	11/2004	Chen et al.	D14/138
D500,992 S	*	1/2005	Shen et al.	D14/138
D503,163 S	*	3/2005	Chan et al.	D14/138
D505,932 S	*	6/2005	Eckholm et al.	D14/138
D508,240 S	*	8/2005	Lee et al.	D14/138

D508,473 S	*	8/2005	Lee et al.	D14/138
D508,688 S	*	8/2005	Lee et al.	D14/138
D508,902 S	*	8/2005	Lee et al.	D14/138
2003/0054830 A1	*	3/2003	Williams et al.	455/456
2004/0180703 A1	*	9/2004	Kim et al.	455/575.1
2005/0014537 A1	*	1/2005	Gammon et al.	455/575.1
2005/0020327 A1	*	1/2005	Chung et al.	455/575.3
2005/0054397 A1	*	3/2005	Kim et al.	455/575.4
2005/0245295 A1	*	11/2005	Lee et al.	455/575.1
2005/0245297 A1	*	11/2005	Lee et al.	455/575.4
2005/0266898 A1	*	12/2005	Ahn et al.	455/575.1
2005/0277388 A1	*	12/2005	Kim et al.	455/90.3

FOREIGN PATENT DOCUMENTS

WO	DM/066599	*	4/2005
WO	DM/066609	*	4/2005
WO	DM/066628	*	5/2005
WO	DM/067035	*	8/2005

* cited by examiner

Primary Examiner—Jeffrey Asch

(74) *Attorney, Agent, or Firm*—Irving Keschner

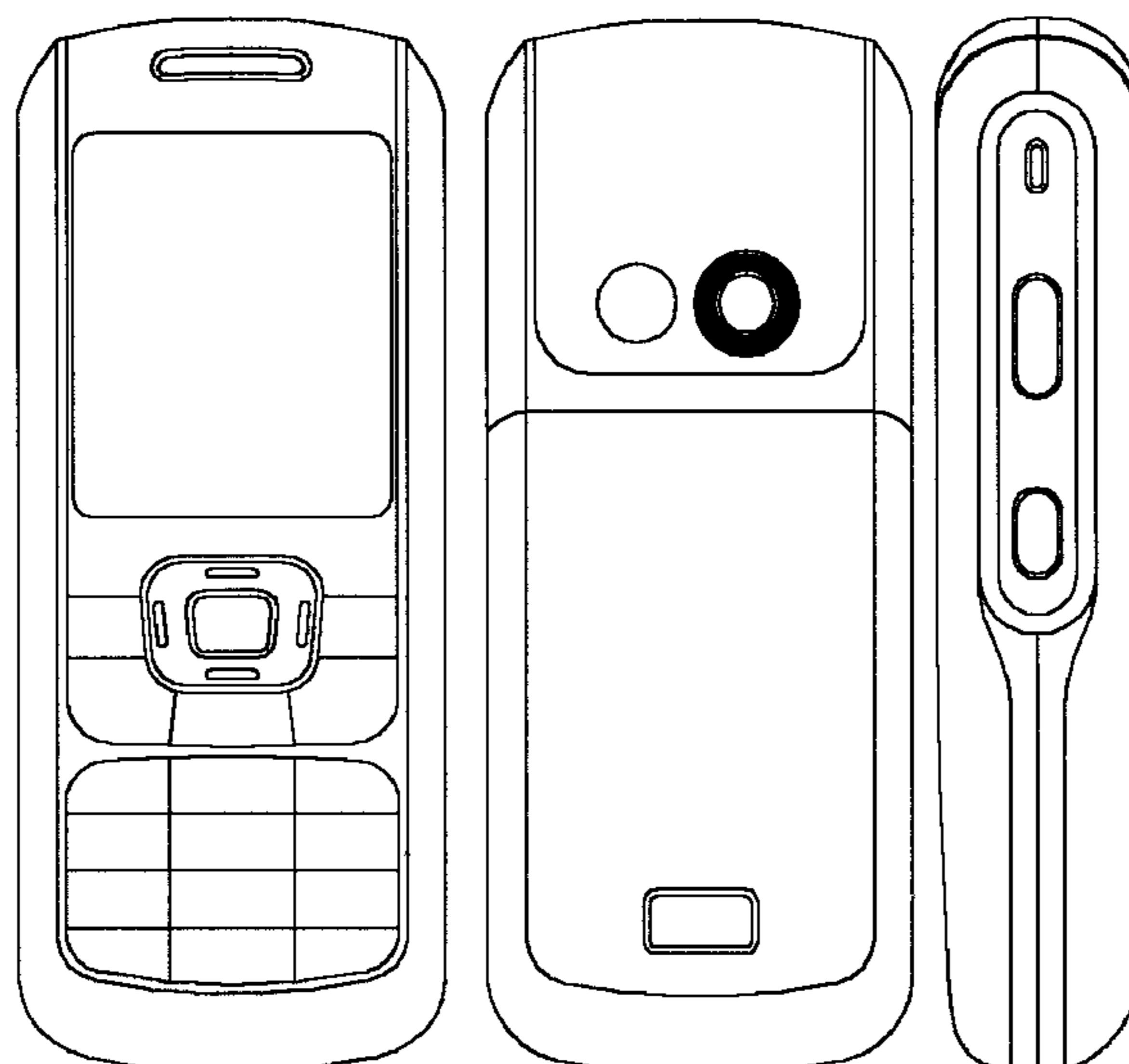
(57) **CLAIM**

The ornamental design for cellular phone, as shown.

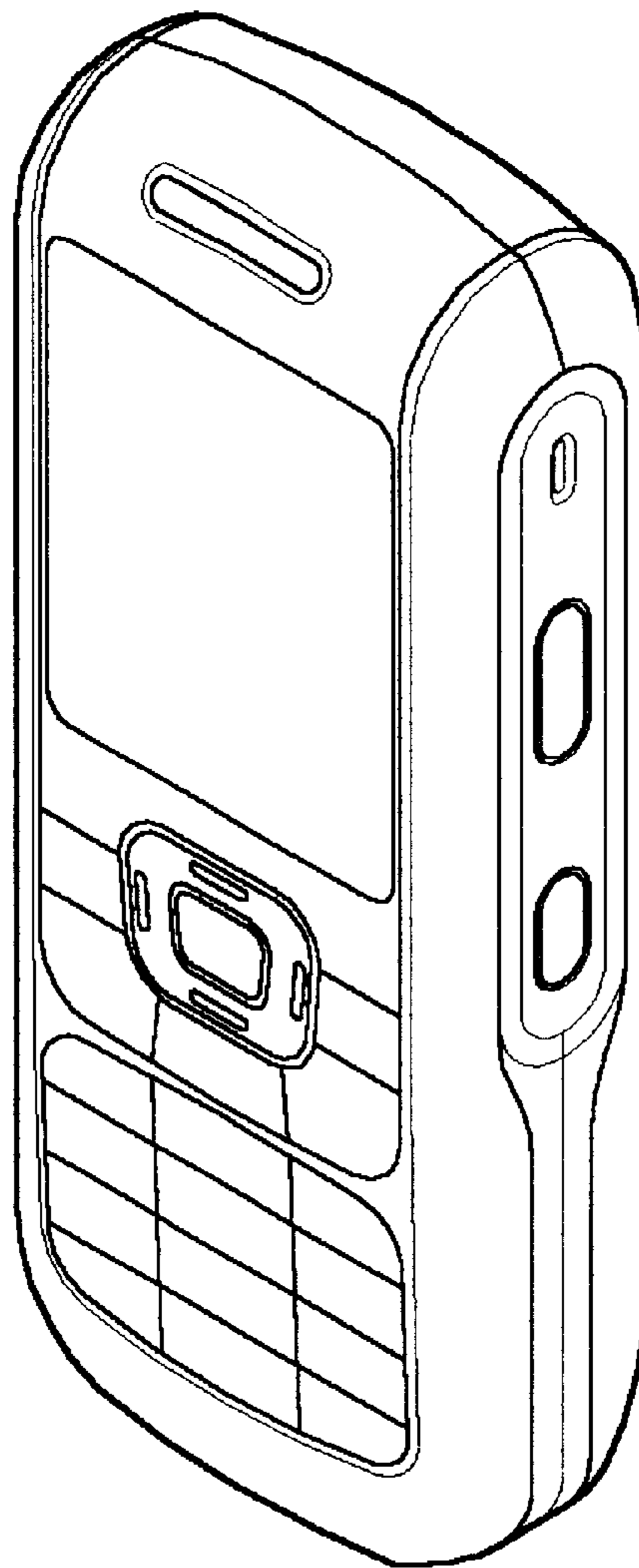
DESCRIPTION

FIG. 1 is a perspective view of the ornamental design of the present invention;
 FIG. 2 is a front elevational view of the ornamental design of the present invention;
 FIG. 3 is a rear elevational view of the ornamental design of the present invention;
 FIG. 4 is a left side elevational view of the ornamental design of the present invention;
 FIG. 5 is a right side elevational view of the ornamental design of the present invention;
 FIG. 6 is a top plan view of the ornamental design of the present invention; and,
 FIG. 7 is a bottom view of the ornamental design of the present invention.

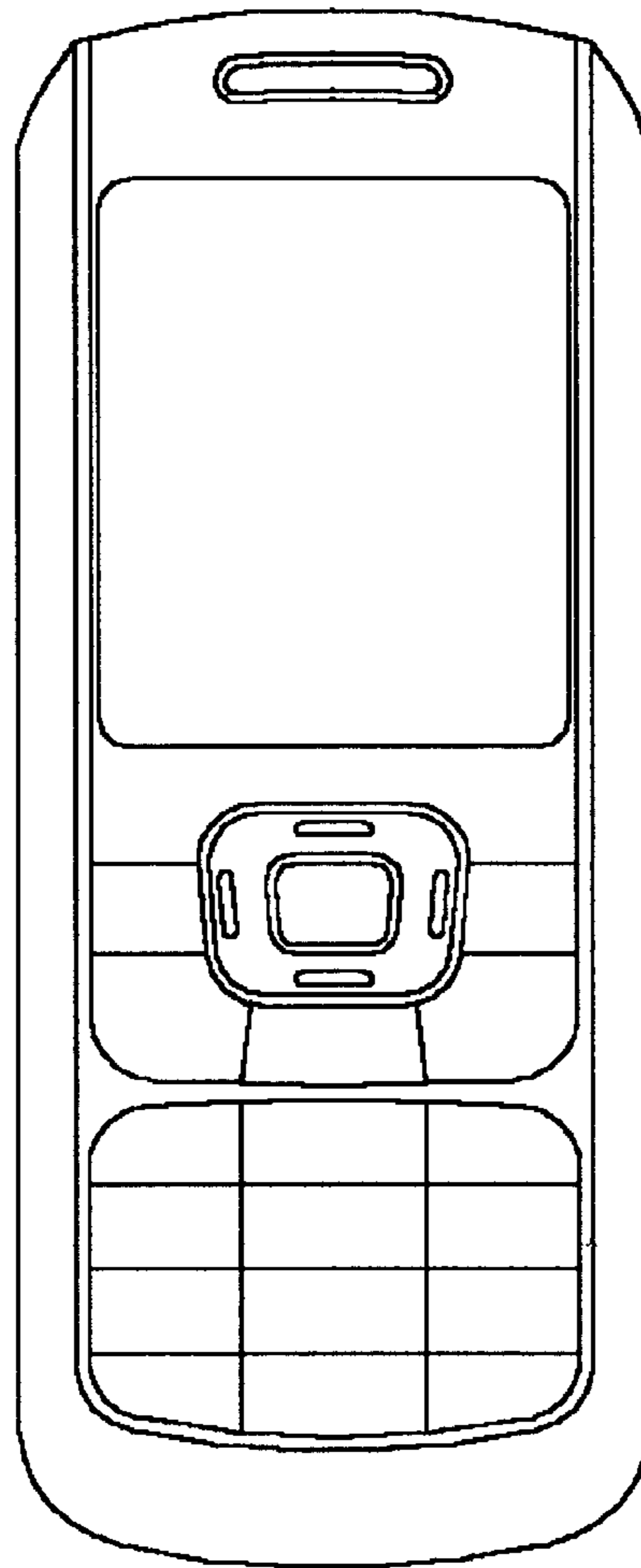
1 Claim, 5 Drawing Sheets



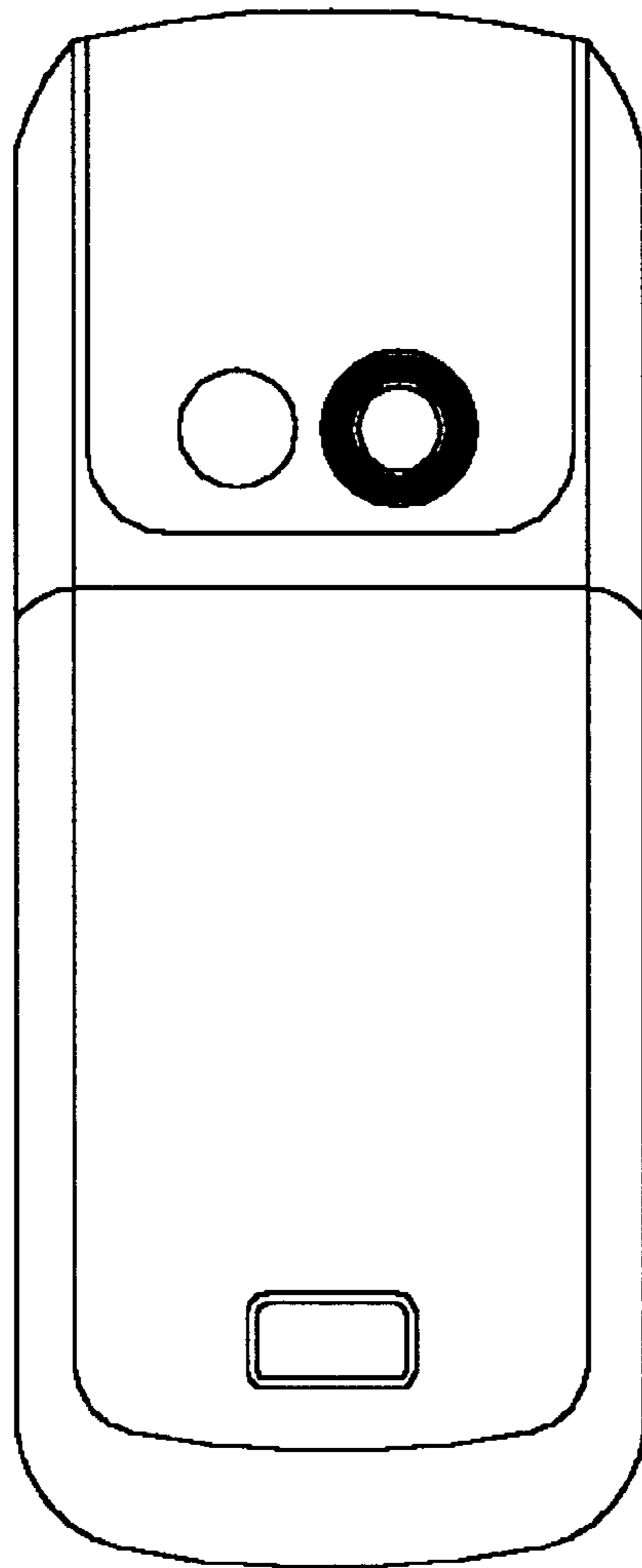
【 Fig. 1】



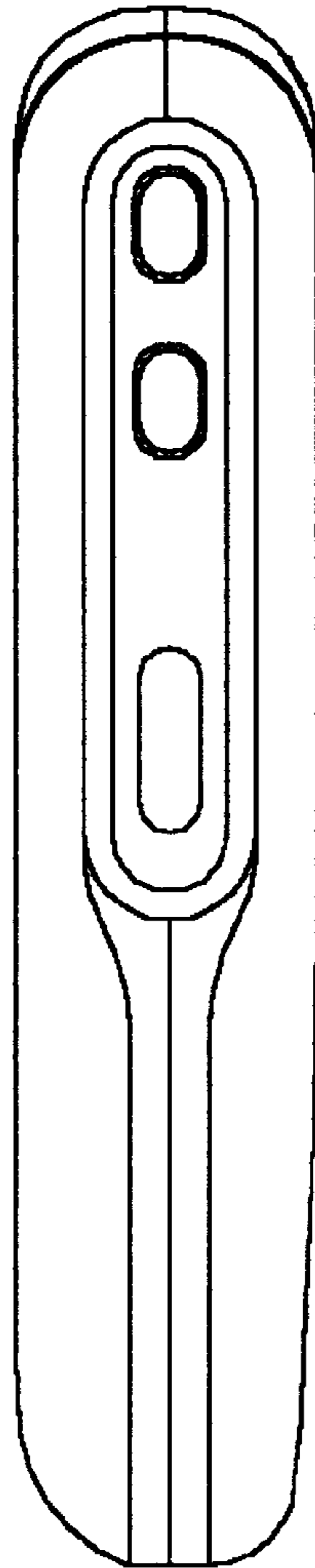
【 Fig. 2】



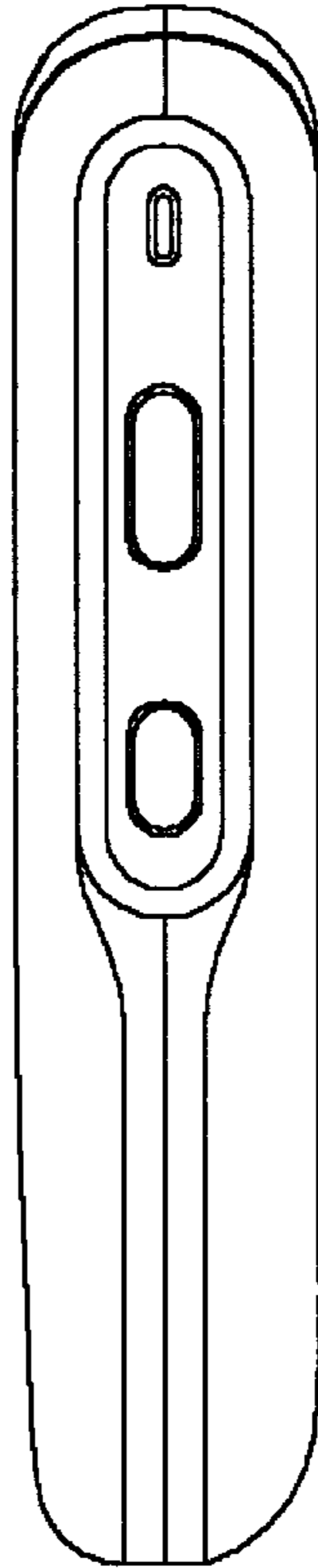
【 Fig. 3】



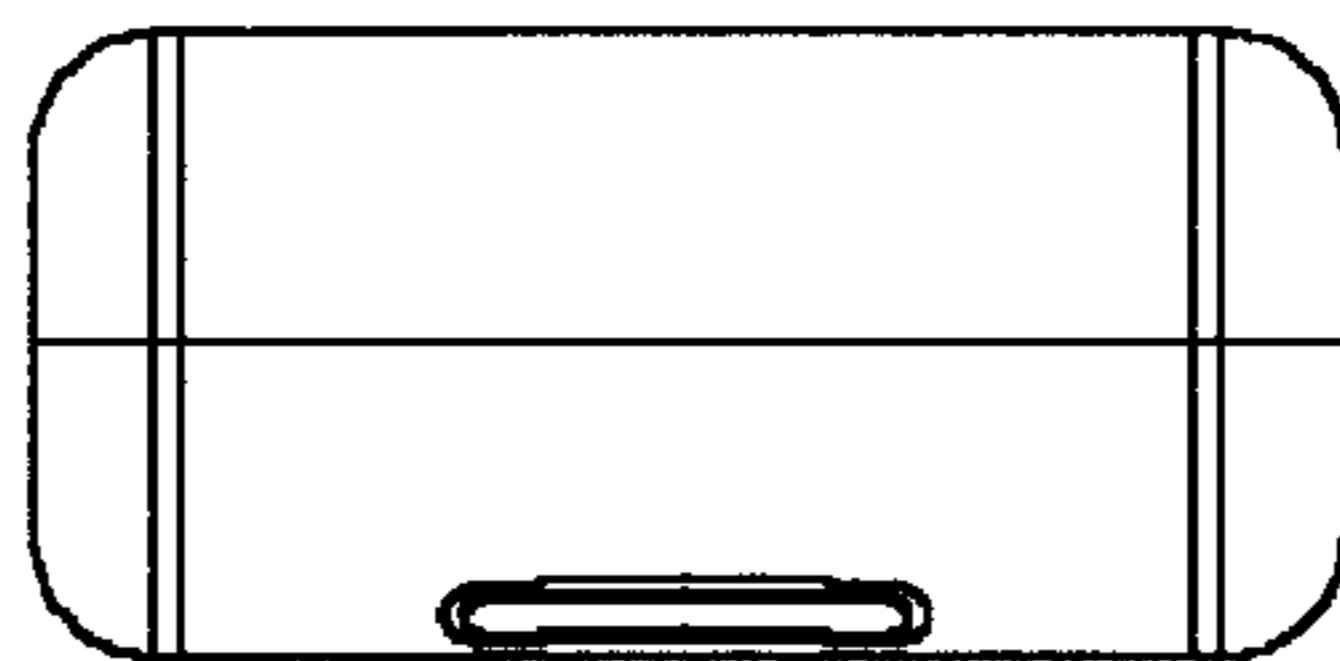
【 Fig. 4】



【 Fig. 5】



【 Fig. 6】



【 Fig. 7】

