

US00D525226S

(12) **United States Design Patent**
Jang

(10) **Patent No.:** **US D525,226 S**
(45) **Date of Patent:** **** Jul. 18, 2006**

(54) **PORTABLE TELEPHONE**

(75) Inventor: **Ho Young Jang**, Seoul (KR)

(73) Assignee: **SK Teletch Co., Ltd.**, Seoul (KR)

(**) Term: **14 Years**

(21) Appl. No.: **29/221,937**

(22) Filed: **Jan. 25, 2005**

(30) **Foreign Application Priority Data**

Oct. 19, 2004 (KR) 30-2004-0031931

(51) **LOC (8) Cl.** **14-03**

(52) **U.S. Cl.** **D14/138**

(58) **Field of Classification Search** D14/137,
D14/138, 147-148, 247-248, 144, 341-347;
379/433.01-433.13; 455/575.4, 566, 575.1,
455/556.1, 556.2, 90.3

See application file for complete search history.

(56) **References Cited**

U.S. PATENT DOCUMENTS

D423,493 S	*	4/2000	Hakoda	D14/138
D466,096 S	*	11/2002	Takada	D14/138
D468,307 S	*	1/2003	Chuang	D14/346
D479,215 S	*	9/2003	Yokoyama	D14/138
D481,692 S	*	11/2003	Husgafvel	D14/138
D496,645 S	*	9/2004	Yoo et al.	D14/138
6,822,871 B1	*	11/2004	Lee et al.	361/727
D502,162 S	*	2/2005	Kim et al.	D14/138
D502,454 S	*	3/2005	Lee	D14/138
D503,164 S	*	3/2005	Park et al.	D14/138
D503,699 S	*	4/2005	Lee et al.	D14/138
D508,240 S	*	8/2005	Lee et al.	D14/138
D508,473 S	*	8/2005	Lee et al.	D14/138
D508,687 S	*	8/2005	Lee	D14/138
D508,688 S	*	8/2005	Lee et al.	D14/138
D509,206 S	*	9/2005	Jang	D14/138
D509,814 S	*	9/2005	Shin et al.	D14/138
D512,393 S	*	12/2005	Lee et al.	D14/138
D512,702 S	*	12/2005	Lee et al.	D14/138
2004/0259592 A1	*	12/2004	Taneya et al.	455/556.1

2004/0266477 A1	*	12/2004	Murata	455/556.1
2005/0090298 A1	*	4/2005	Park et al.	455/575.4
2005/0107126 A1	*	5/2005	Kim	455/565
2005/0119034 A1	*	6/2005	Kato et al.	455/575.4
2005/0124381 A1	*	6/2005	Kim et al.	455/556.1
2005/0164753 A1	*	7/2005	Kato	455/575.4
2005/0233708 A1	*	10/2005	Im et al.	455/90.3
2005/0245297 A1	*	11/2005	Lee et al.	455/575.4
2005/0255897 A1	*	11/2005	Lee et al.	455/575.4

FOREIGN PATENT DOCUMENTS

JP	D110810	*	12/2002
JP	2003-298699	*	10/2003

OTHER PUBLICATIONS

Samsung D500 telephone, announced fourth quarter 2004, [online], [retrieved on Feb. 14, 2006]. Retrieved from Internet, URL: <http://www.gsmarena.com>>.*

NTTDoCoMo SO505i, [online], [retrieved on Nov. 28, 2004]. Retrieved from Internet, URL: <http://www.mobilebum.com>>.*

* cited by examiner

Primary Examiner—Jeffrey Asch

(74) *Attorney, Agent, or Firm*—Birch, Stewart, Kolasch and Birch, LLP

(57) **CLAIM**

The ornamental design for a portable telephone, as shown.

DESCRIPTION

FIG. 1 is a perspective view of the portable telephone of the present invention;

FIG. 2 is a front elevational view thereof;

FIG. 3 is a rear elevational view thereof;

FIG. 4 is a left side elevational view thereof;

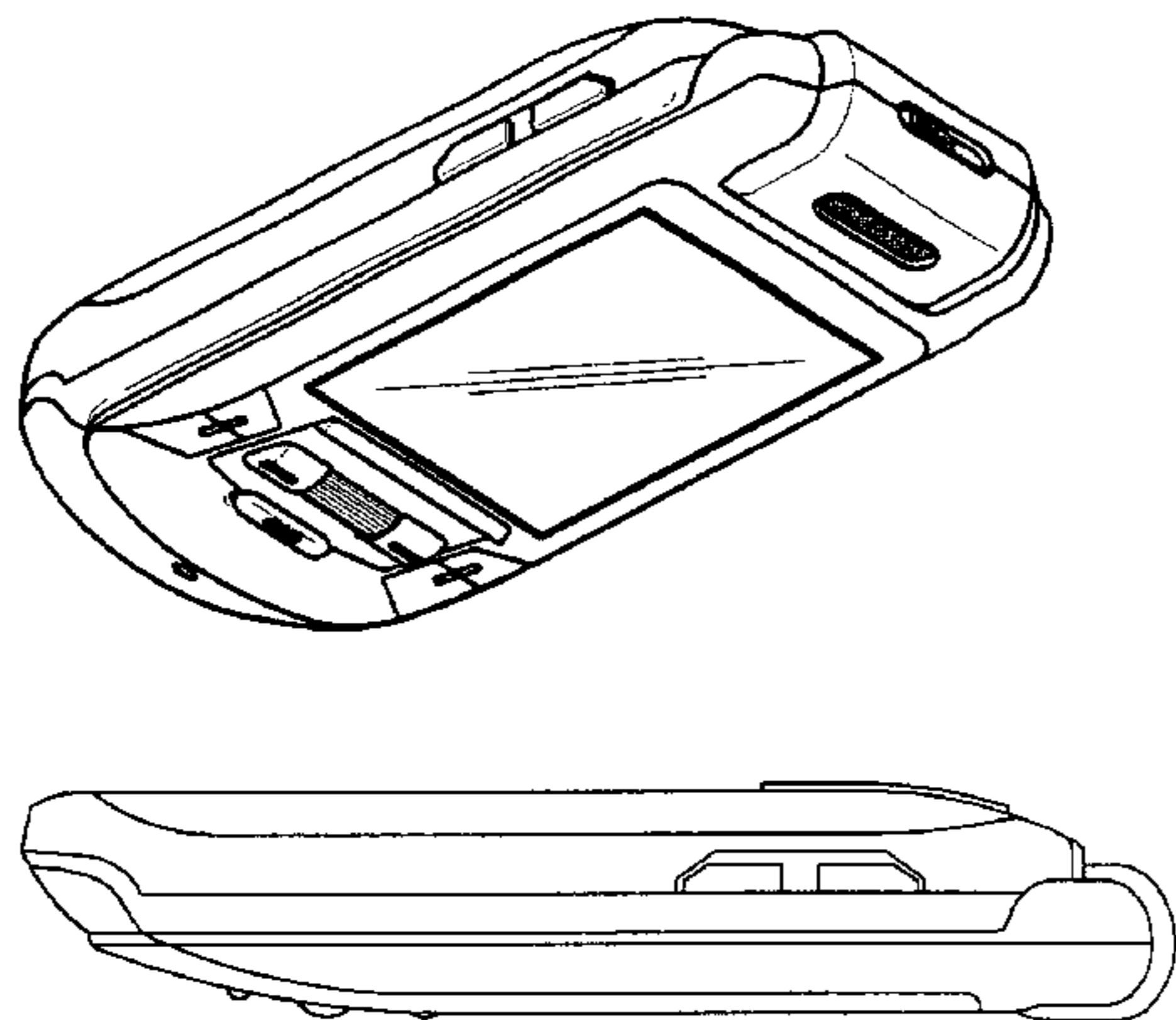
FIG. 5 is a right side elevational view thereof;

FIG. 6 is a top plan view thereof;

FIG. 7 is a bottom plan view thereof; and,

FIG. 8 is a perspective view of the portable telephone in an operative position.

1 Claim, 2 Drawing Sheets



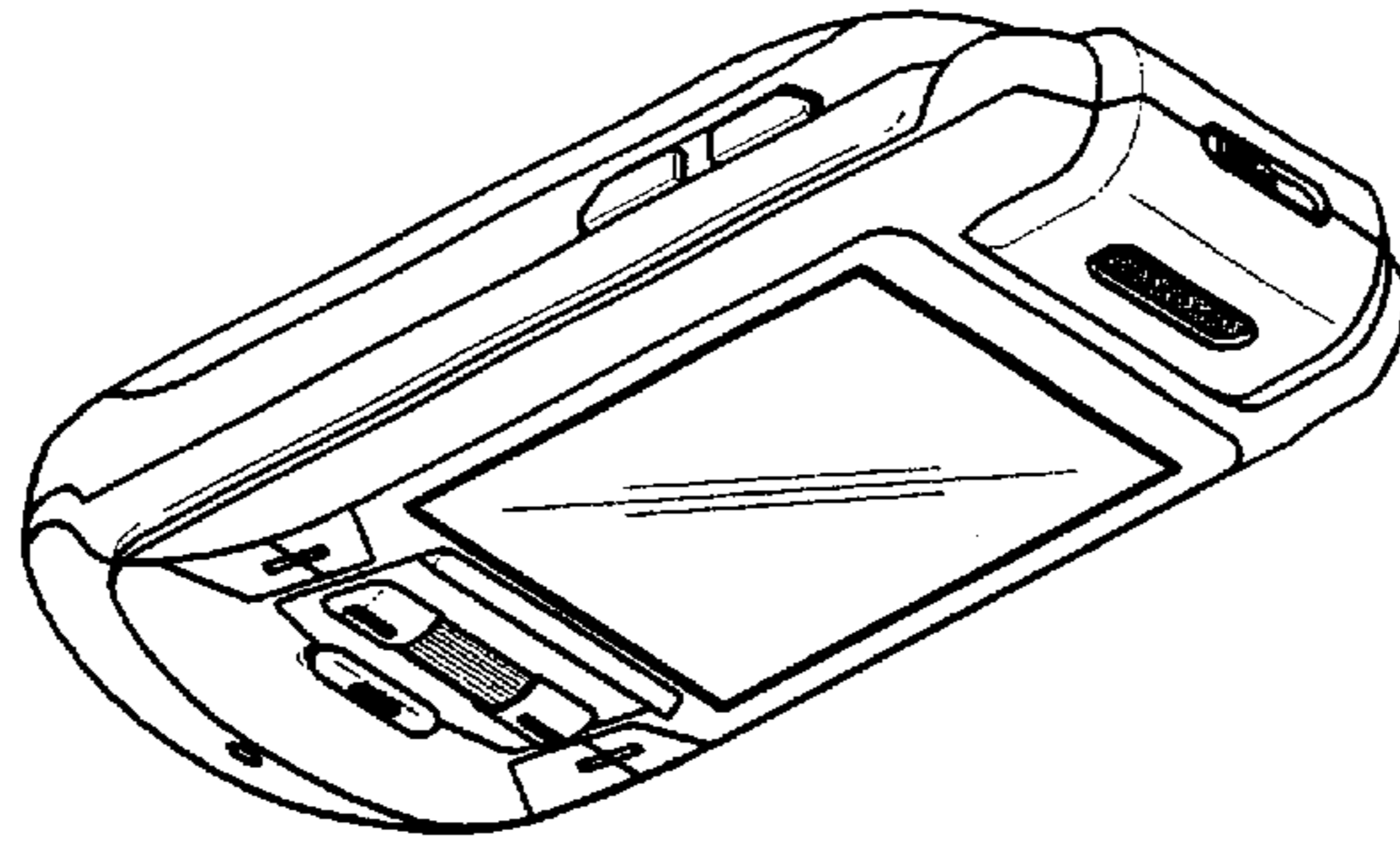


FIG. 1

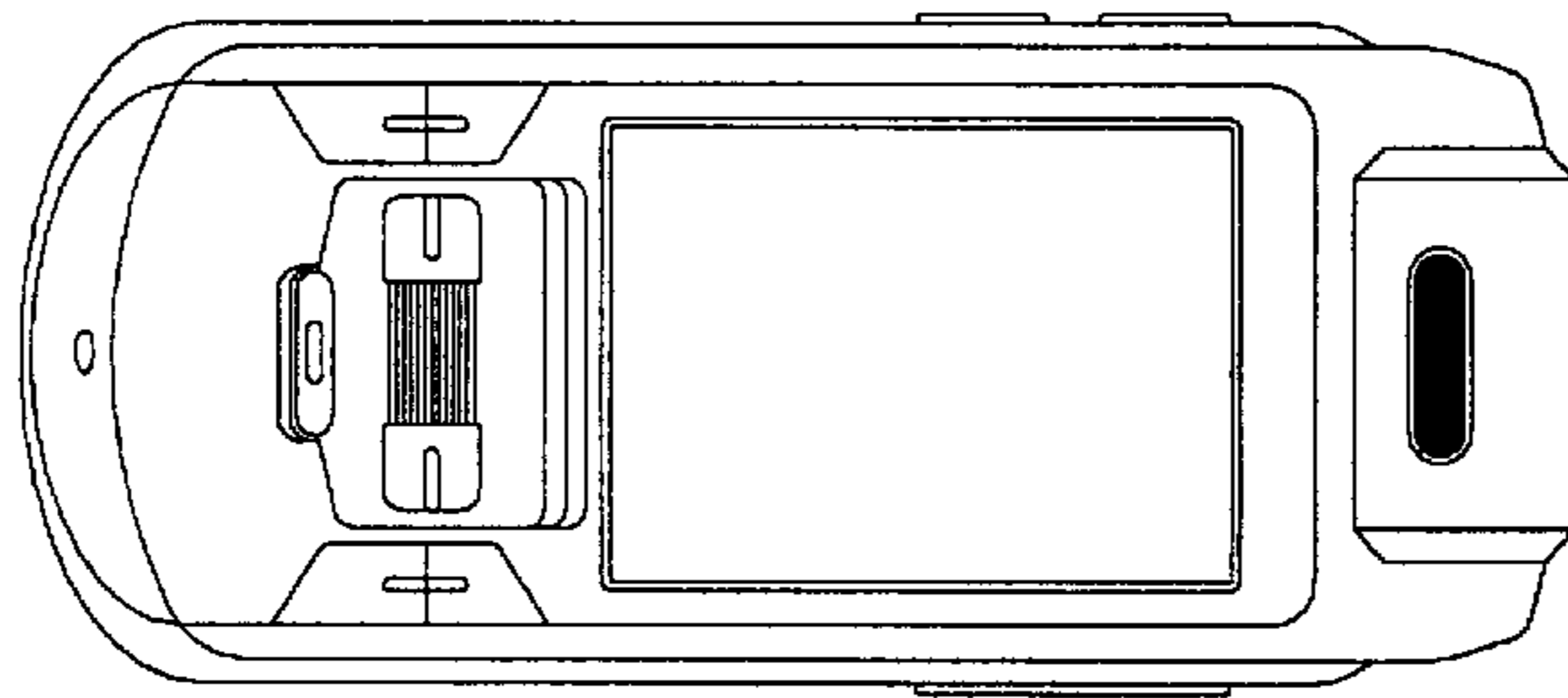


FIG. 2

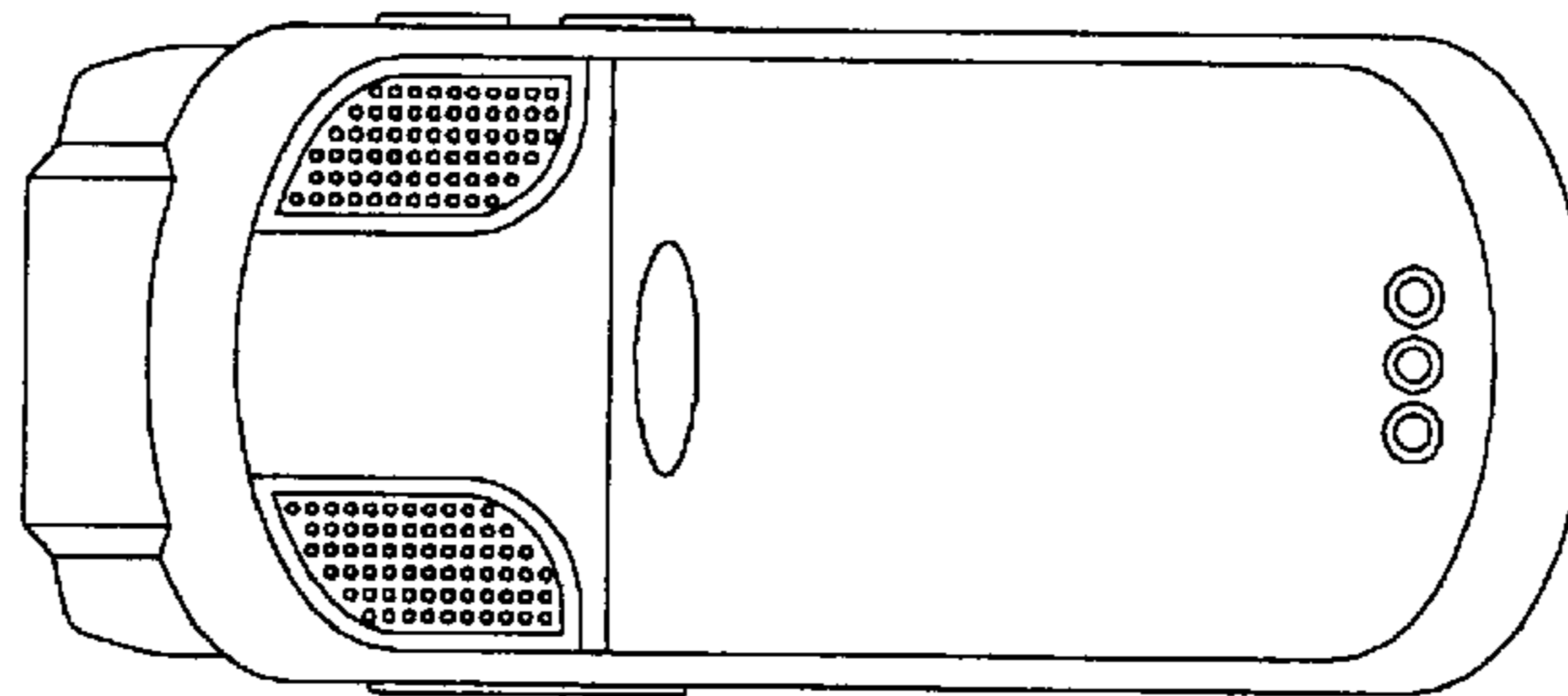


FIG. 3

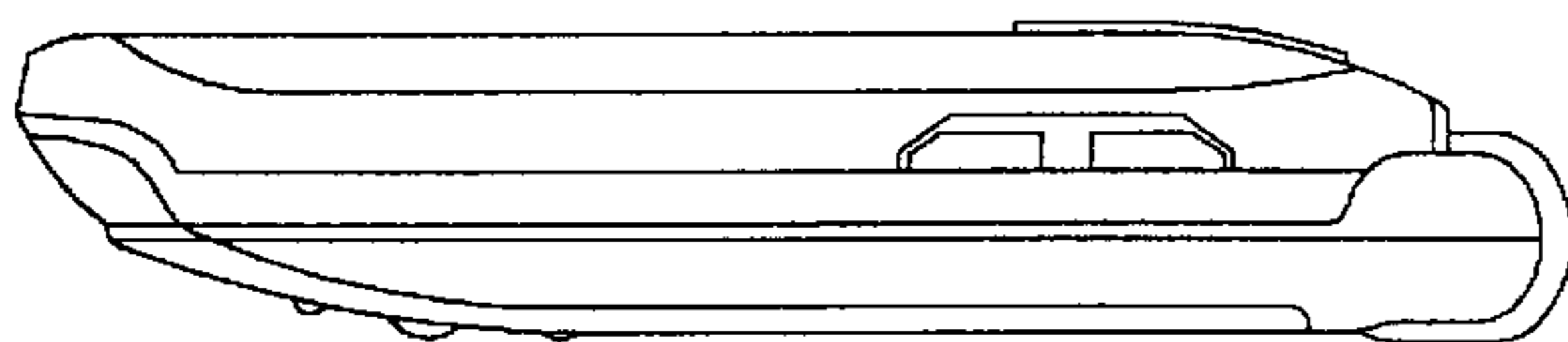


FIG. 4

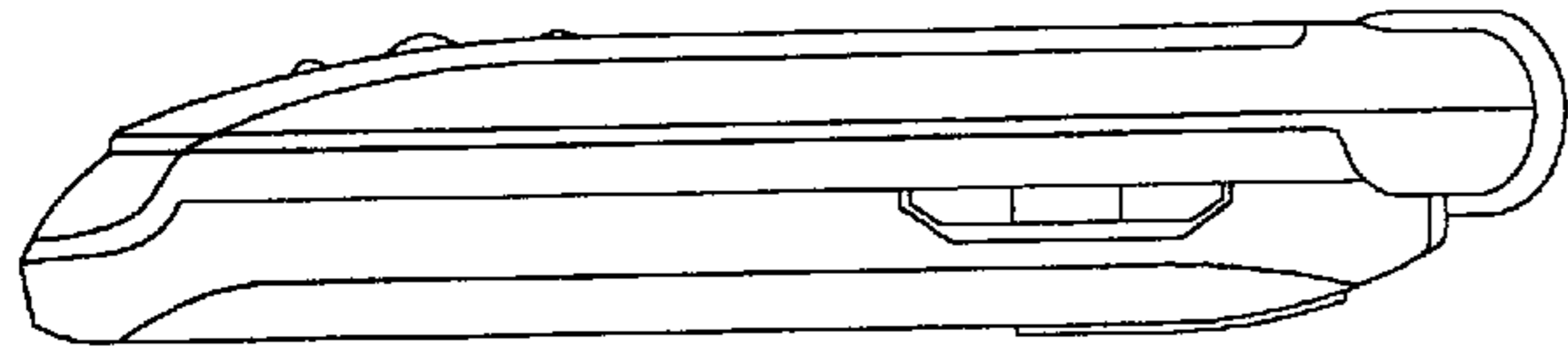


FIG. 5

FIG. 6

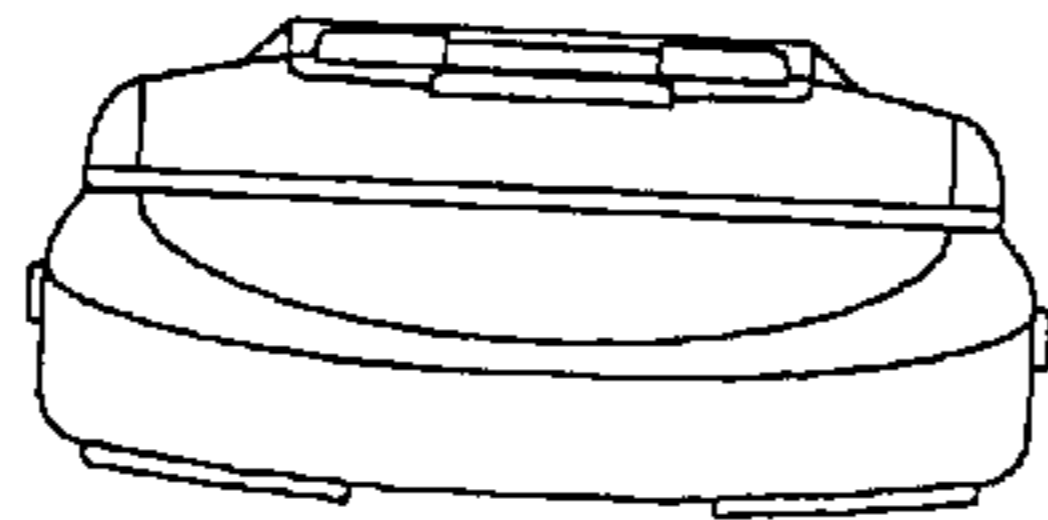
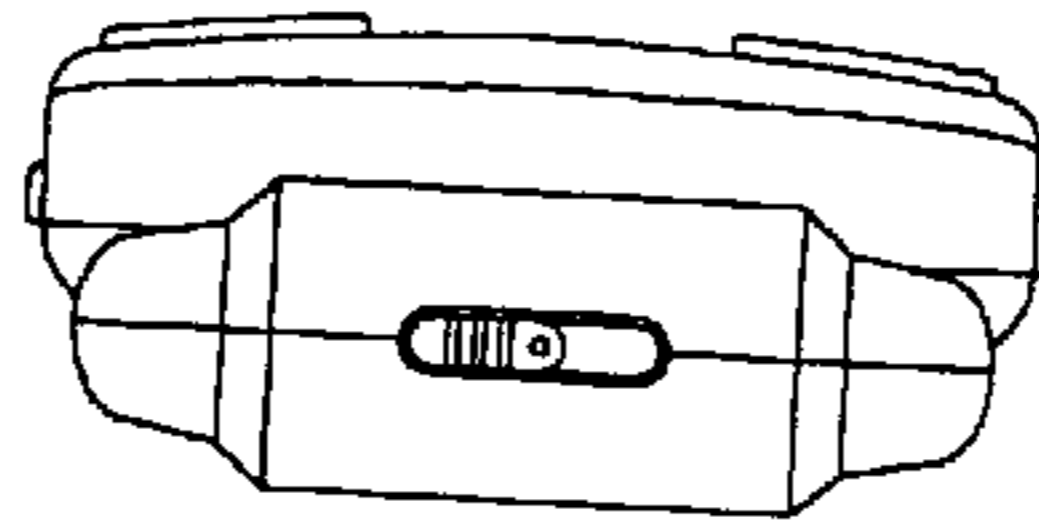


FIG. 7

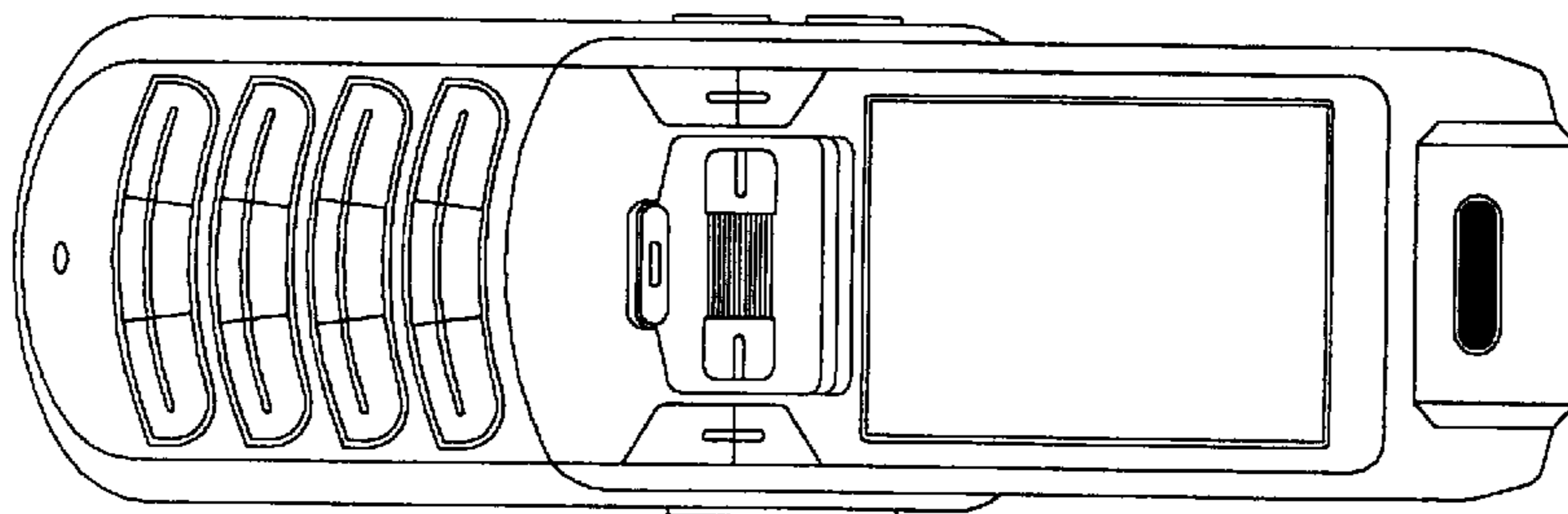


FIG. 8