



US00D525219S

(12) **United States Design Patent**
Williams

(10) **Patent No.:** **US D525,219 S**
(45) **Date of Patent:** **** Jul. 18, 2006**

(54) **TELEVISION SET**
(75) Inventor: **Luke Williams**, Sunnyvale, CA (US)
(73) Assignee: **Hannspree, Inc.**, Taipei (TW)
(**) Term: **14 Years**

D428,415 S * 7/2000 Shibata D14/356
D430,874 S * 9/2000 Hsu D14/374
D446,519 S * 8/2001 Wu D14/375
D475,687 S * 6/2003 Goto D14/126
D488,139 S * 4/2004 Takami et al. D14/126
D513,256 S * 12/2005 Chen et al. D14/375

* cited by examiner

(21) Appl. No.: **29/232,346**
(22) Filed: **Jun. 16, 2005**
(30) **Foreign Application Priority Data**

Dec. 17, 2004 (TW) 93307879

(51) **LOC (8) Cl.** **14-03**
(52) **U.S. Cl.** **D14/126**
(58) **Field of Classification Search** D14/125-134,
D14/239, 371, 136, 374-377; 312/7.2; 348/836,
348/838, 180, 184, 325, 739; 341/12; 248/917-924,
248/465; 345/104, 133, 156, 168, 87, 173;
720/605, 669, 600, 655; 369/99, 197; 455/344-347
See application file for complete search history.

(56) **References Cited**
U.S. PATENT DOCUMENTS

D413,586 S * 9/1999 Kondo D14/375

Primary Examiner—Raphael Barkai
(74) *Attorney, Agent, or Firm*—Glenn Patent Group;
Michael A. Glenn

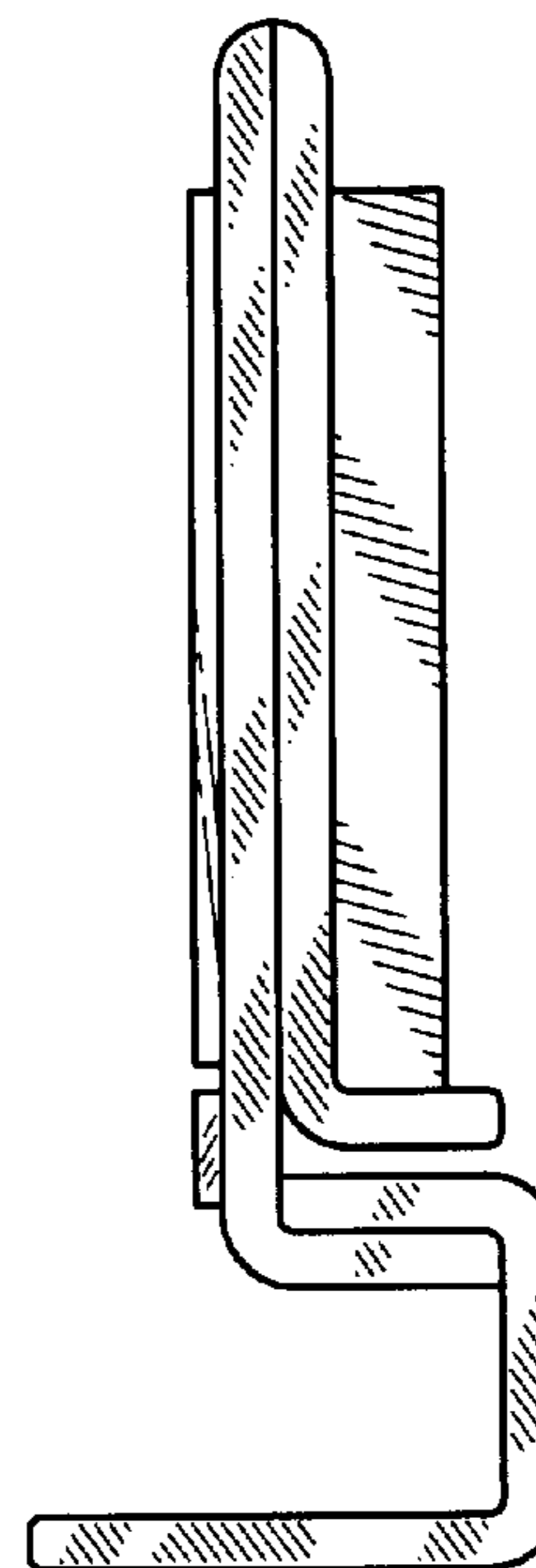
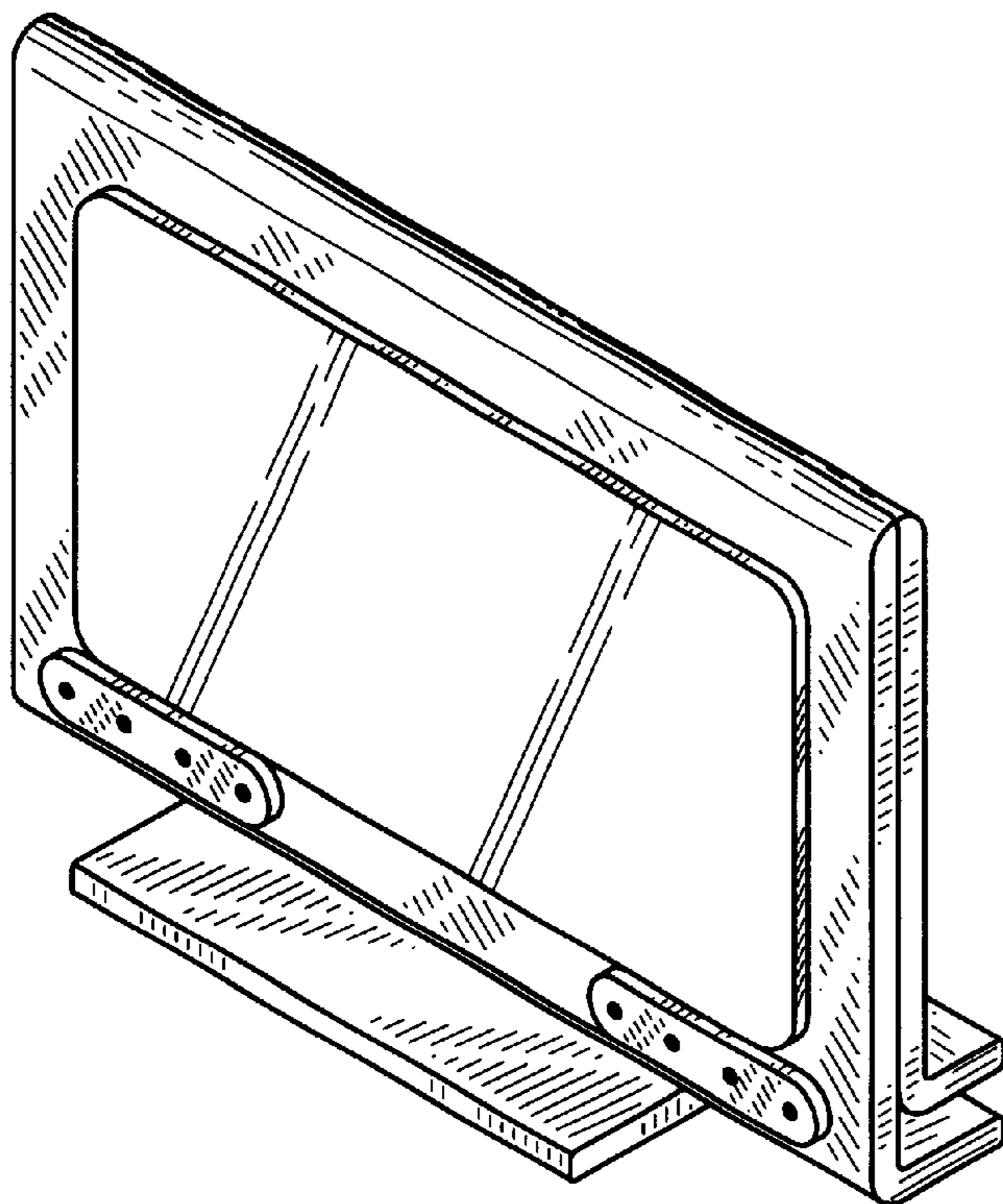
(57) **CLAIM**

The ornamental design for a “television set,” as shown and described.

DESCRIPTION

FIG. 1 is a perspective view of a television set showing my new design.
FIG. 2 is a front view thereof;
FIG. 3 is a rear view thereof;
FIG. 4 is a left side view thereof;
FIG. 5 is a right side view thereof;
FIG. 6 is a top plan view thereof; and,
FIG. 7 is a bottom plan view thereof.

1 Claim, 4 Drawing Sheets



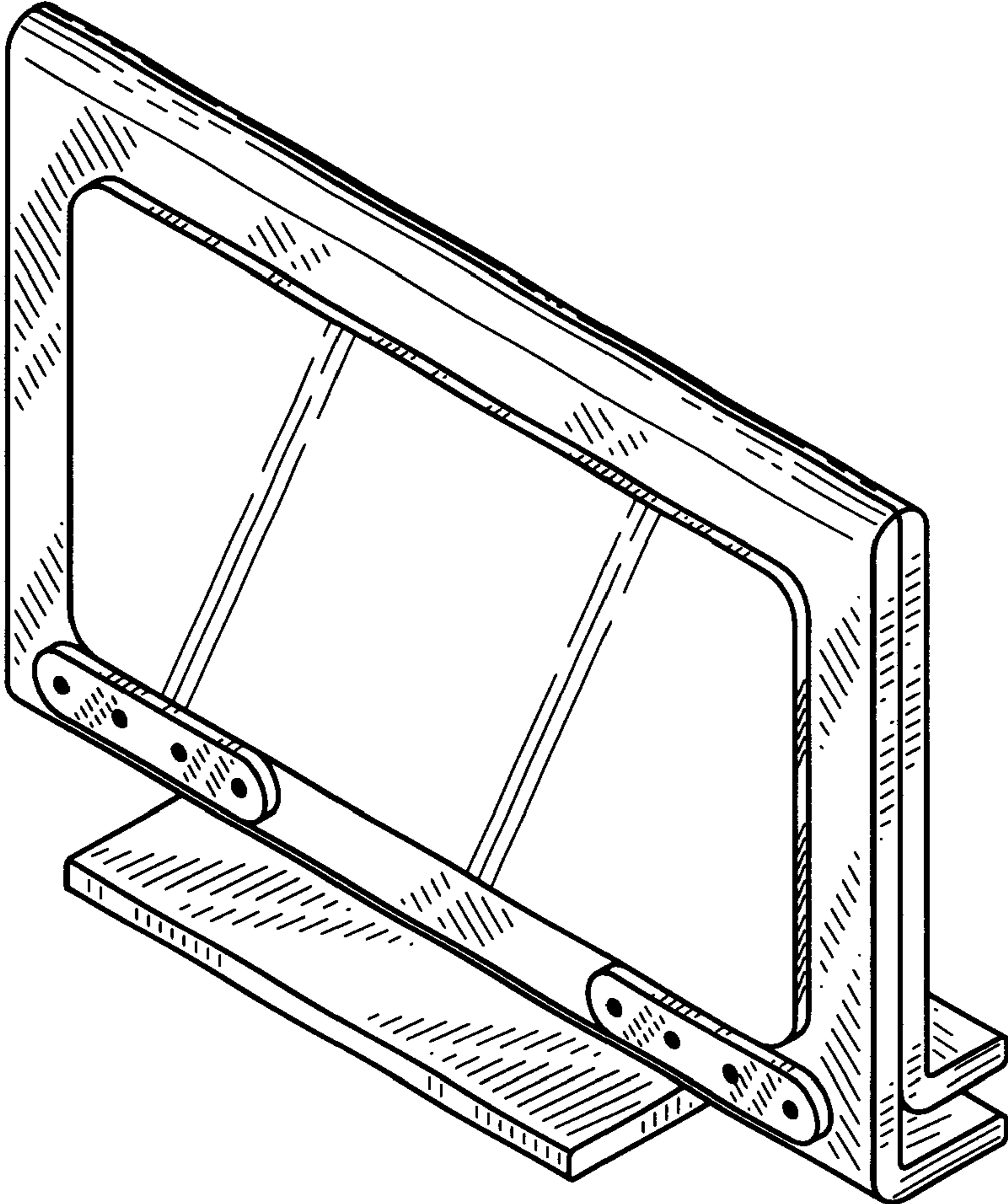


FIG. 1

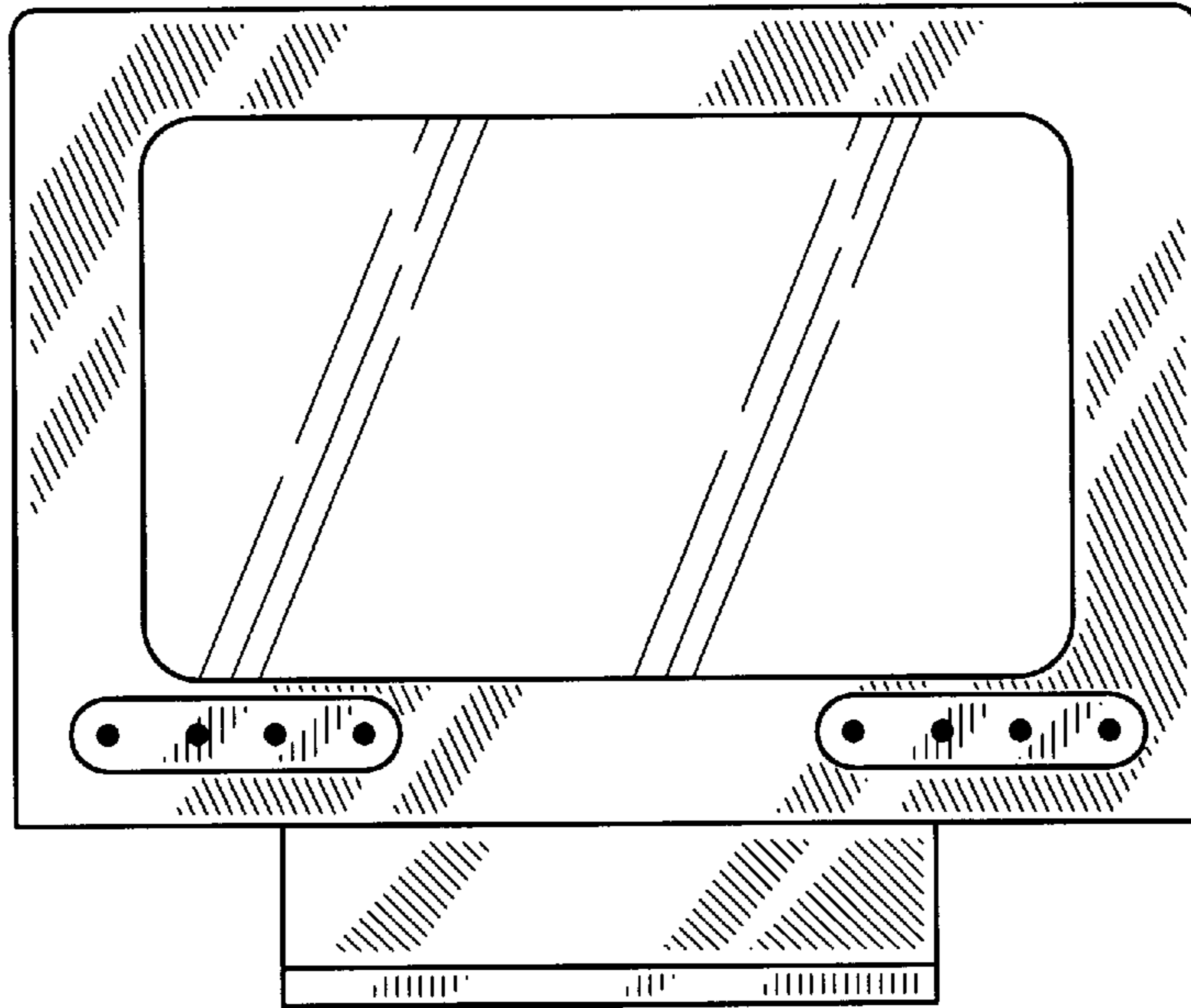


FIG. 2

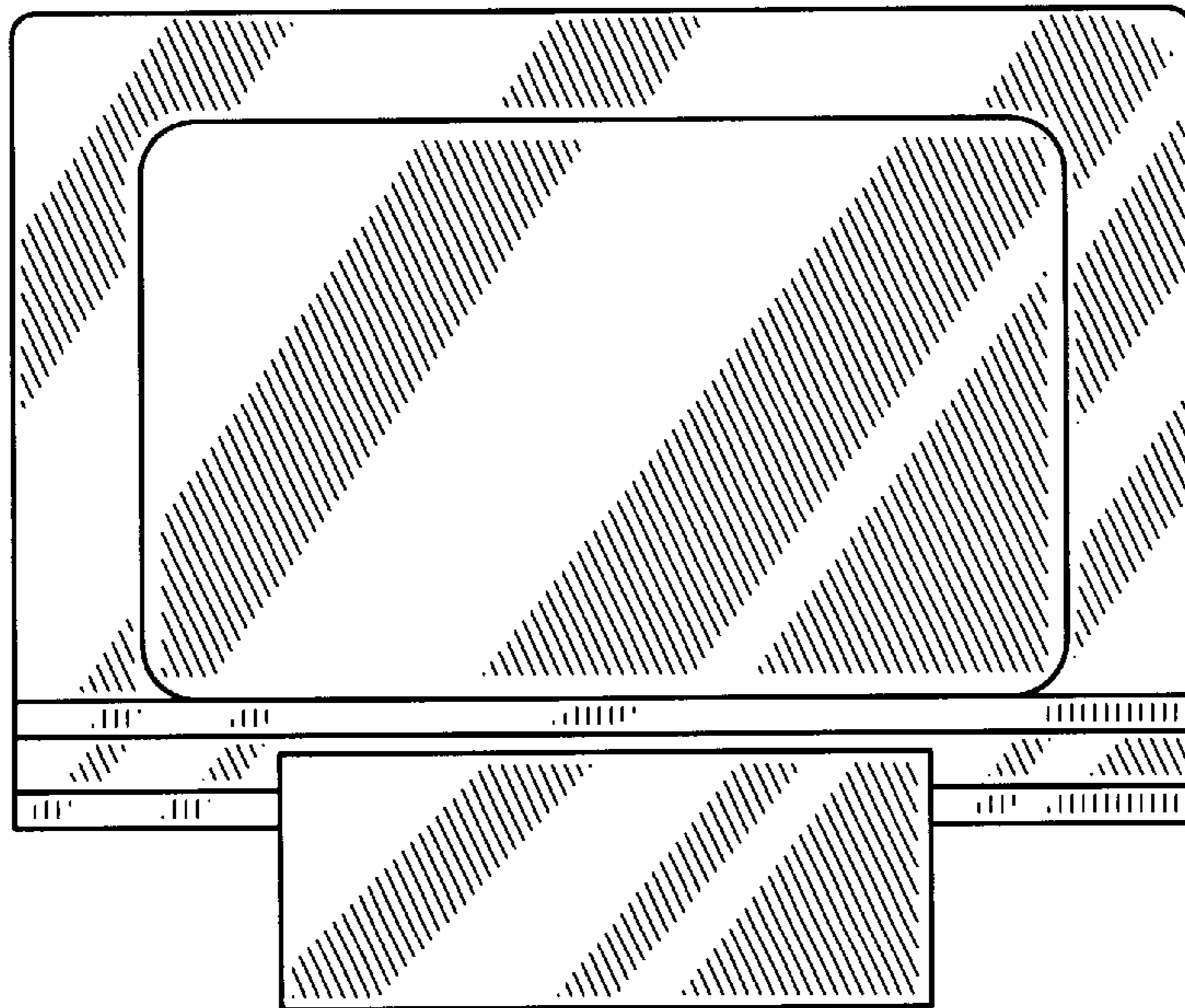


FIG. 3

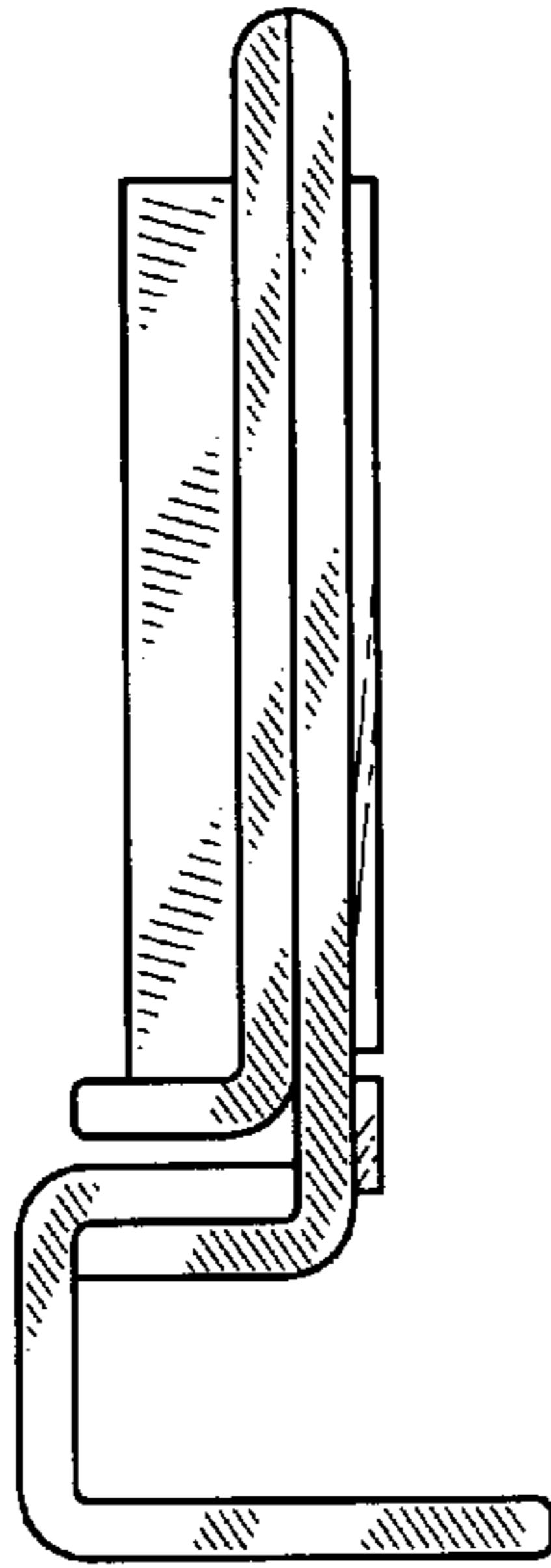


FIG. 4

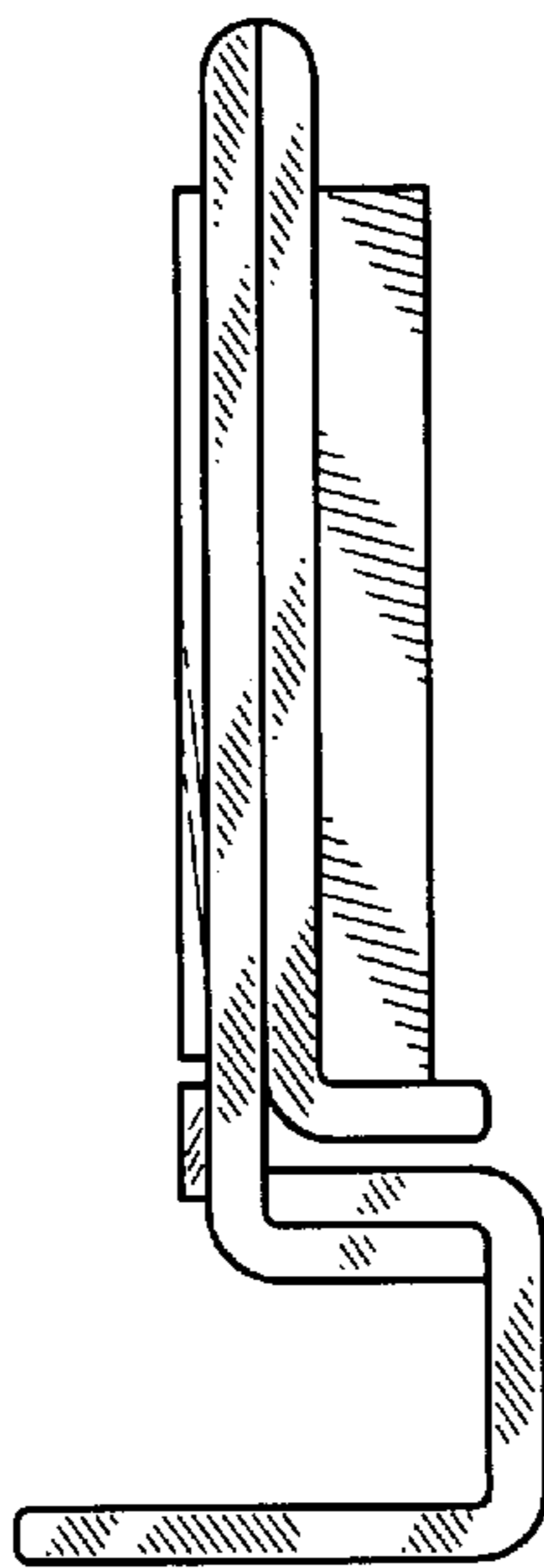


FIG. 5

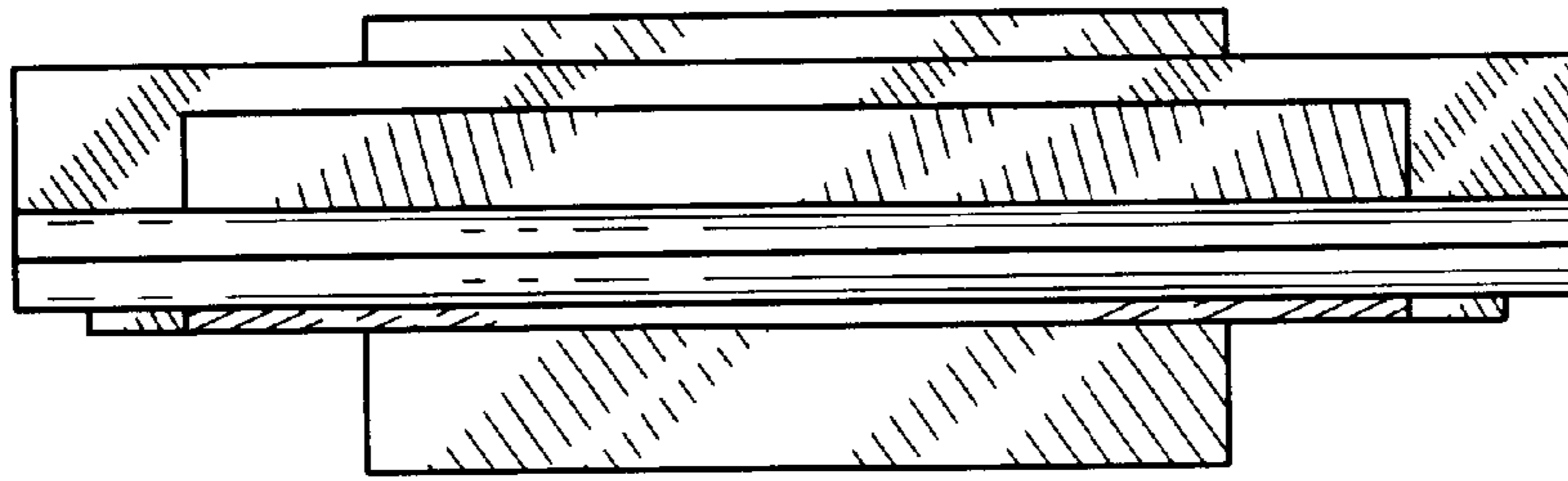


FIG. 6

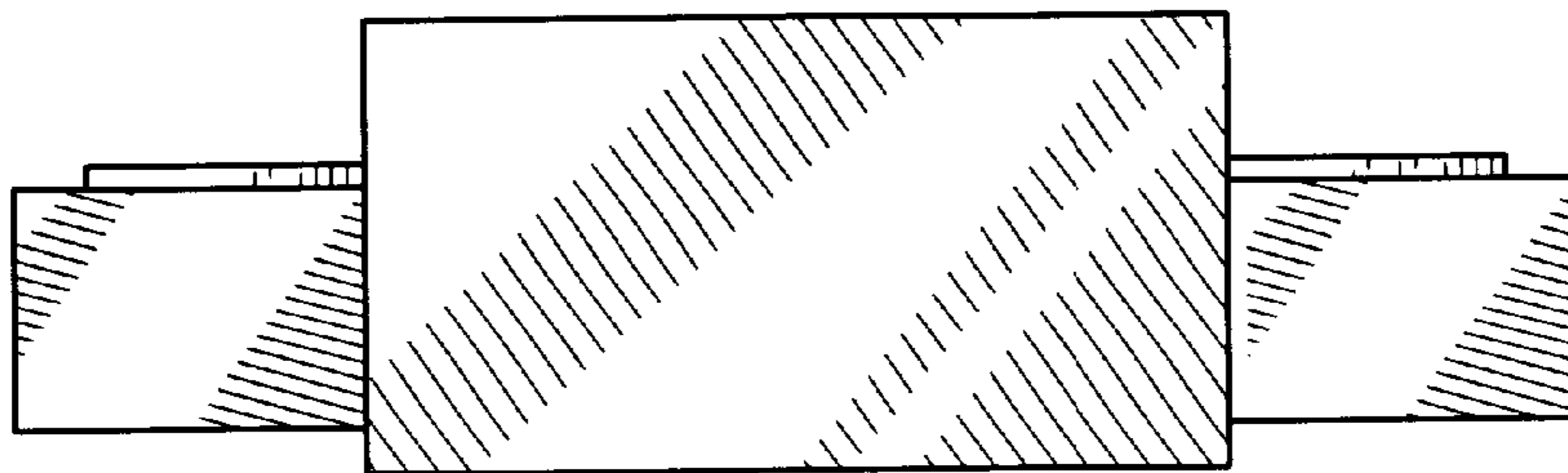


FIG. 7