



US00D525218S

(12) **United States Design Patent**
Reza

(10) **Patent No.:** **US D525,218 S**
(45) **Date of Patent:** **** Jul. 18, 2006**

(54) **TELEVISION SET**

(75) Inventor: **Ana Reza**, San Rafael, CA (US)

(73) Assignee: **Hannspree, Inc.**, Taipei (TW)

(**) Term: **14 Years**

(21) Appl. No.: **29/232,136**

(22) Filed: **Jun. 14, 2005**

(30) **Foreign Application Priority Data**

Dec. 15, 2004 (TW) 93307717

(51) **LOC (8) Cl.** **14-03**

(52) **U.S. Cl.** **D14/126**

(58) **Field of Classification Search** D14/125-134,
D14/239, 371, 136, 374-377; 312/7.2; 348/836,
348/838, 180, 184, 325, 739; 341/12; 248/917-924,
248/465; 345/104, 133, 156, 168, 87, 173;
720/605, 669, 600, 655; 369/99, 197; 455/344-347
See application file for complete search history.

(56) **References Cited**

U.S. PATENT DOCUMENTS

D408,383 S * 4/1999 Carter et al. D14/126
D444,712 S * 7/2001 Versace D10/26
D462,074 S * 8/2002 Kim D14/375
D475,048 S * 5/2003 Wu et al. D14/374

D481,397 S * 10/2003 Ashida et al. D21/330
D481,728 S * 11/2003 Olson et al. D14/375
D483,366 S * 12/2003 Olson et al. D14/375
D483,367 S * 12/2003 Olson et al. D14/375
D502,152 S * 2/2005 Peng D14/126

OTHER PUBLICATIONS

White Oak Pharmacy, p. 67, Aug. 2003.*

* cited by examiner

Primary Examiner—Raphael Barkai

(74) *Attorney, Agent, or Firm*—Michael A. Glenn; Glenn Patent Group

(57) **CLAIM**

The ornamental design for “television set,” as shown and described herein.

DESCRIPTION

FIG. 1 is a perspective view of television set showing my new design.

FIG. 2 is a front view thereof;

FIG. 3 is a rear view thereof;

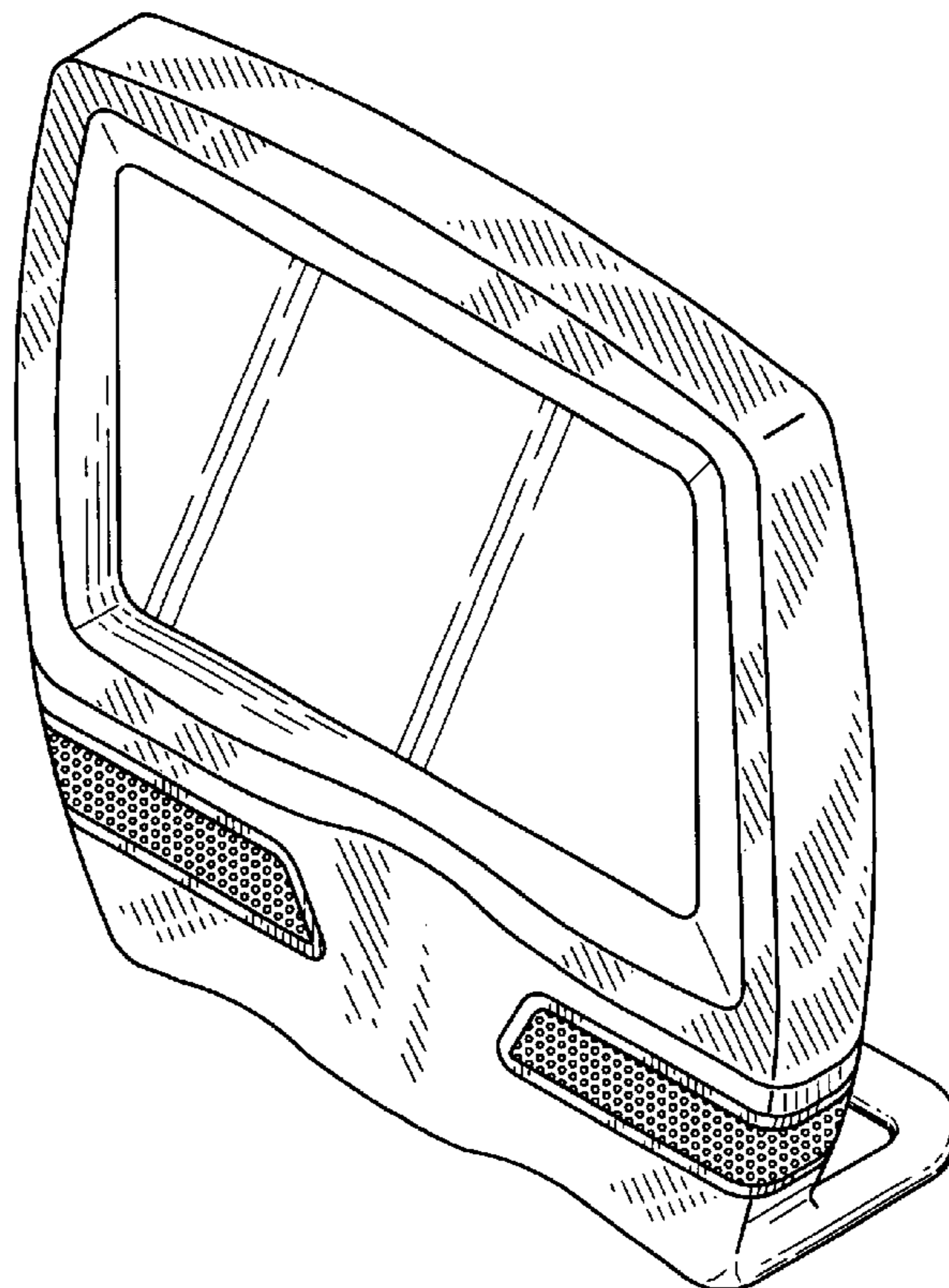
FIG. 4 is a left side view thereof;

FIG. 5 is a right side view thereof;

FIG. 6 is a top plan view thereof; and,

FIG. 7 is a bottom plan view thereof.

1 Claim, 4 Drawing Sheets



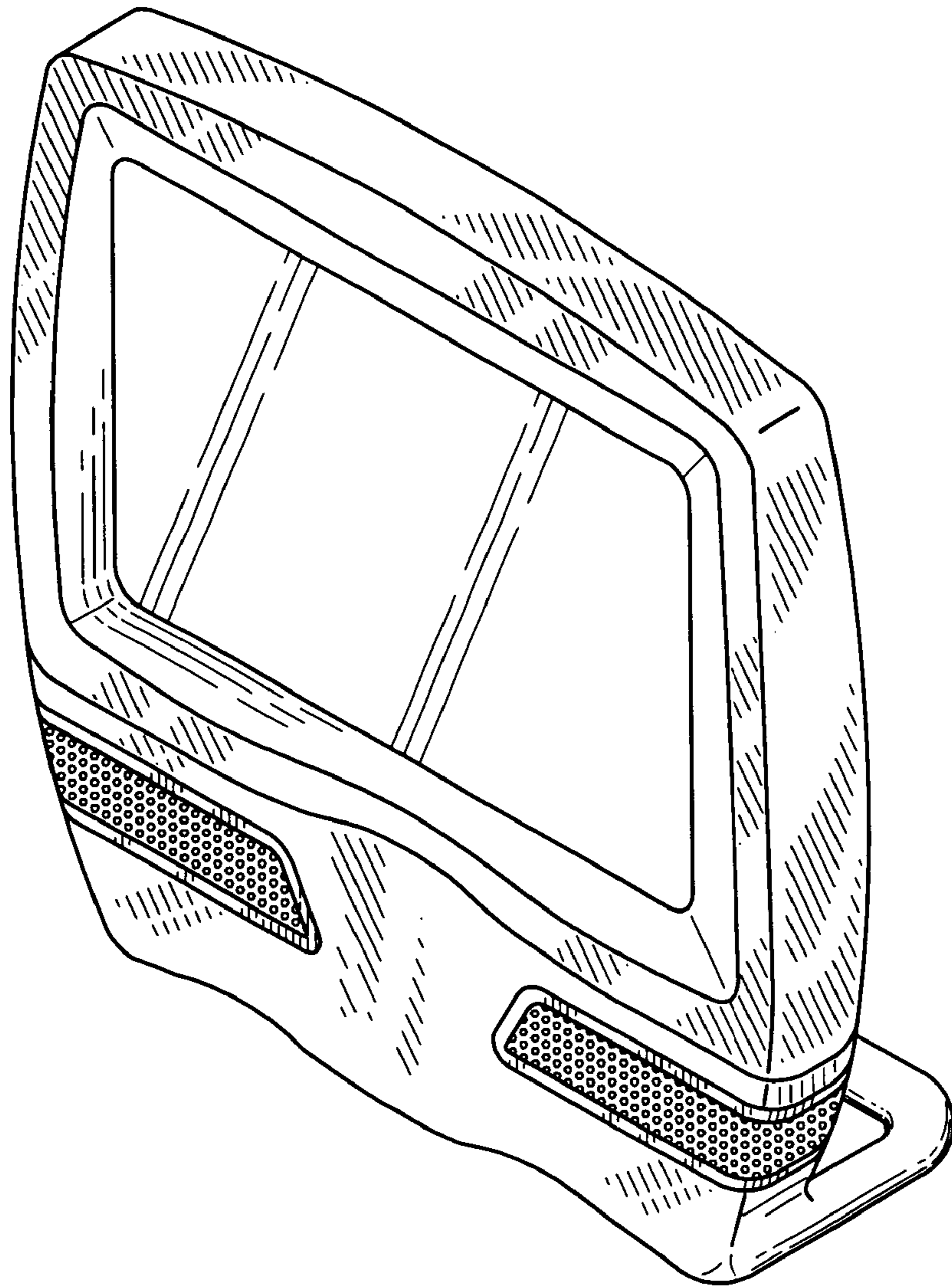


Fig. 1

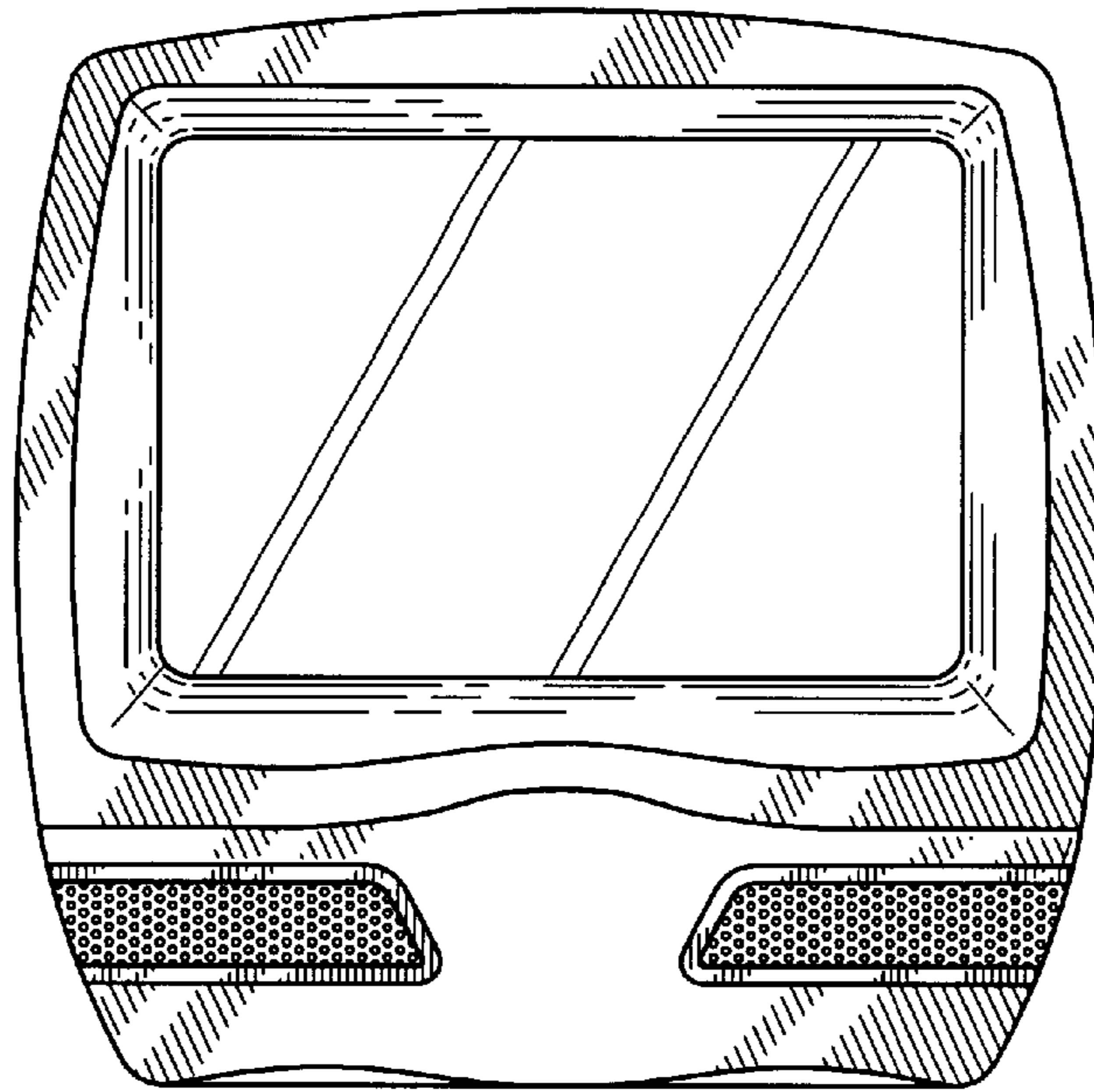


Fig. 2

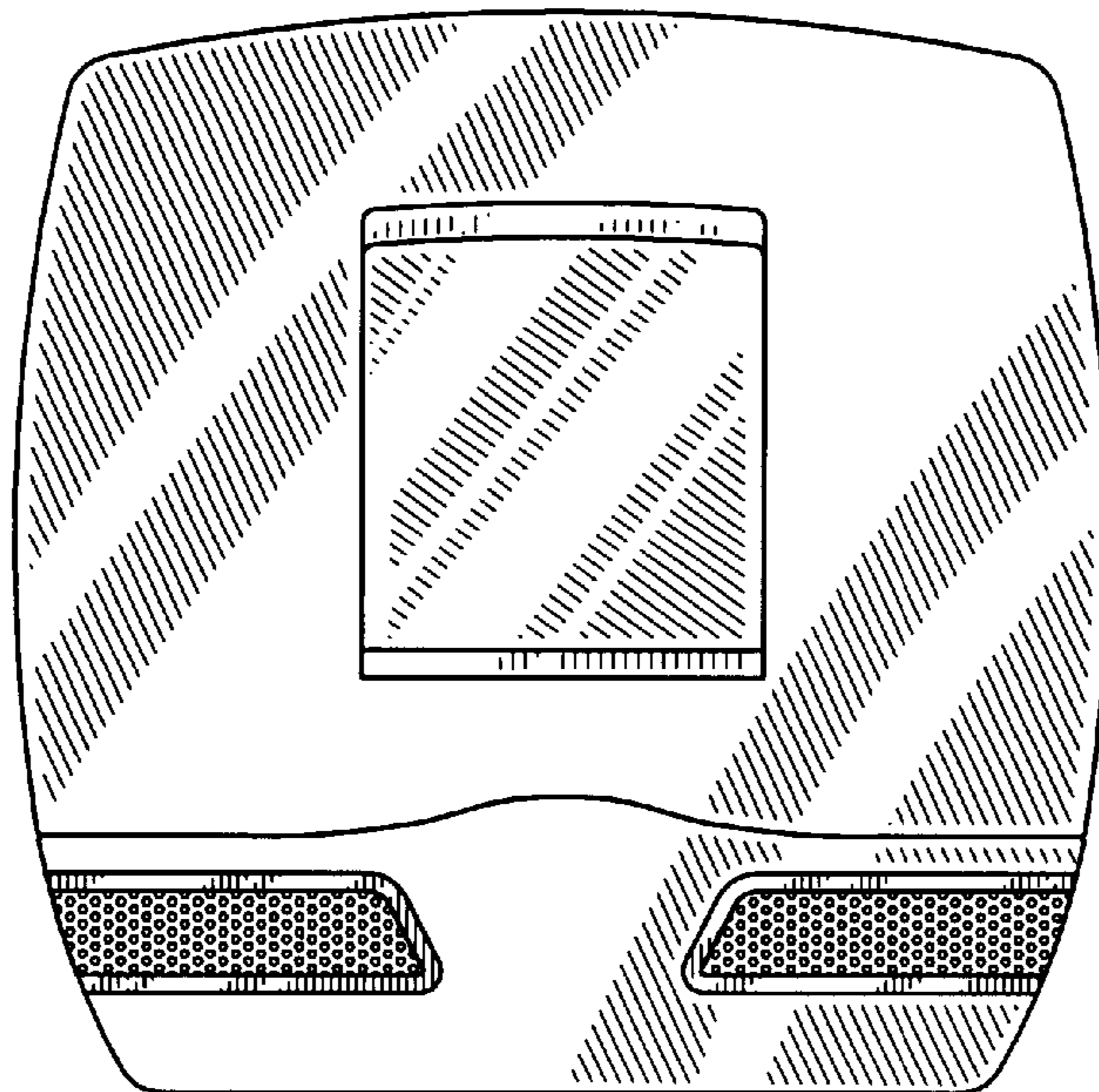


Fig. 3

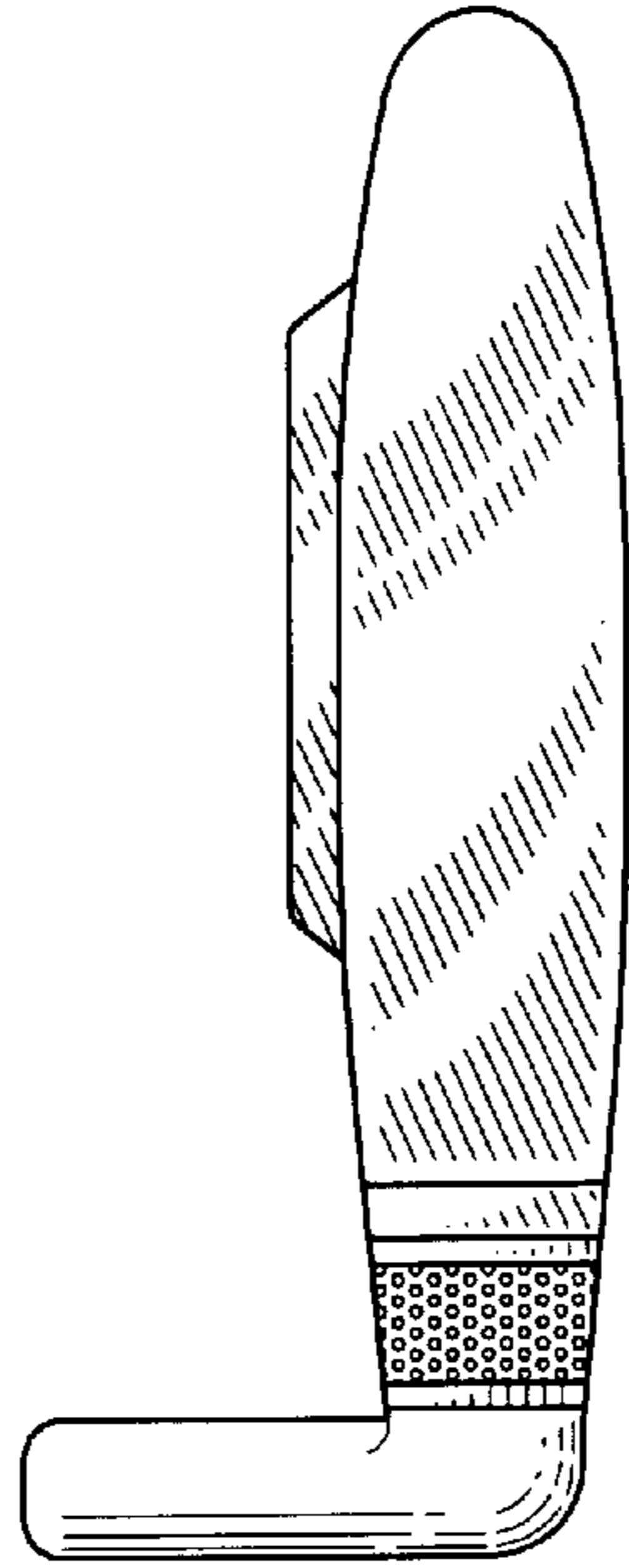


Fig. 4

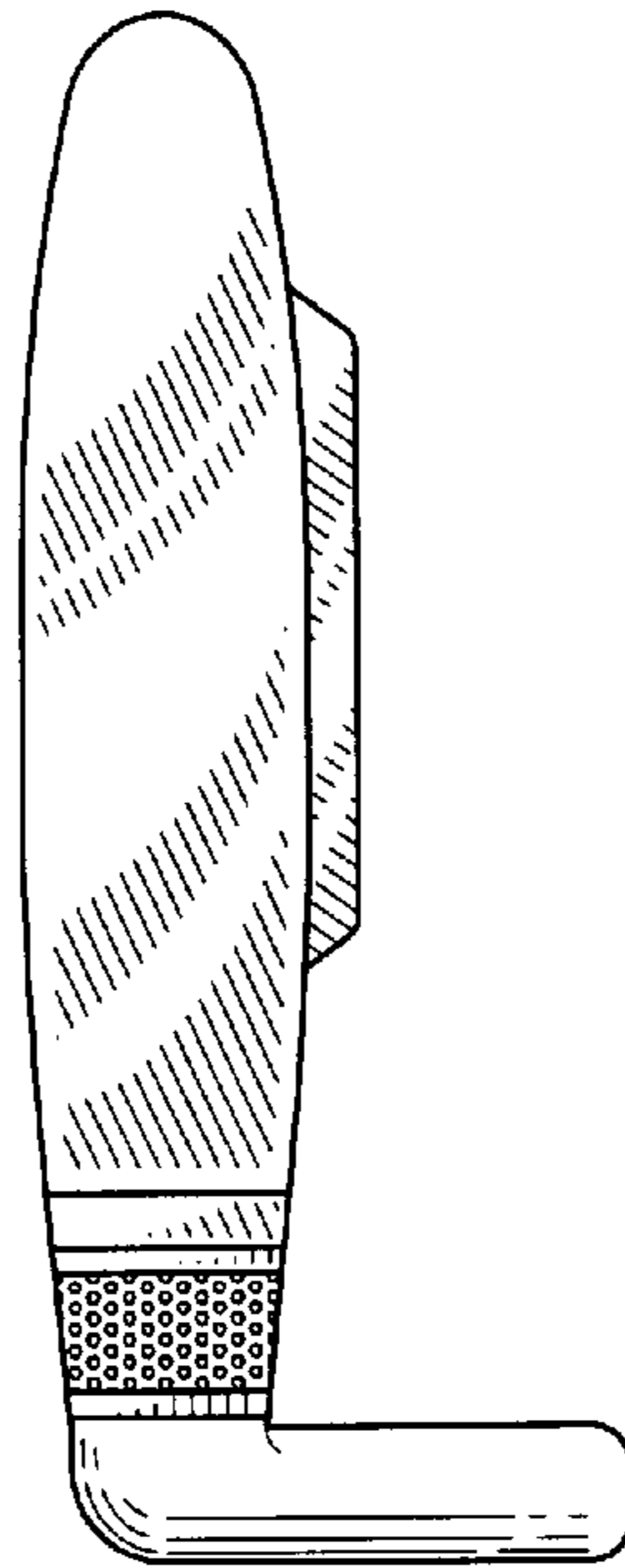


Fig. 5

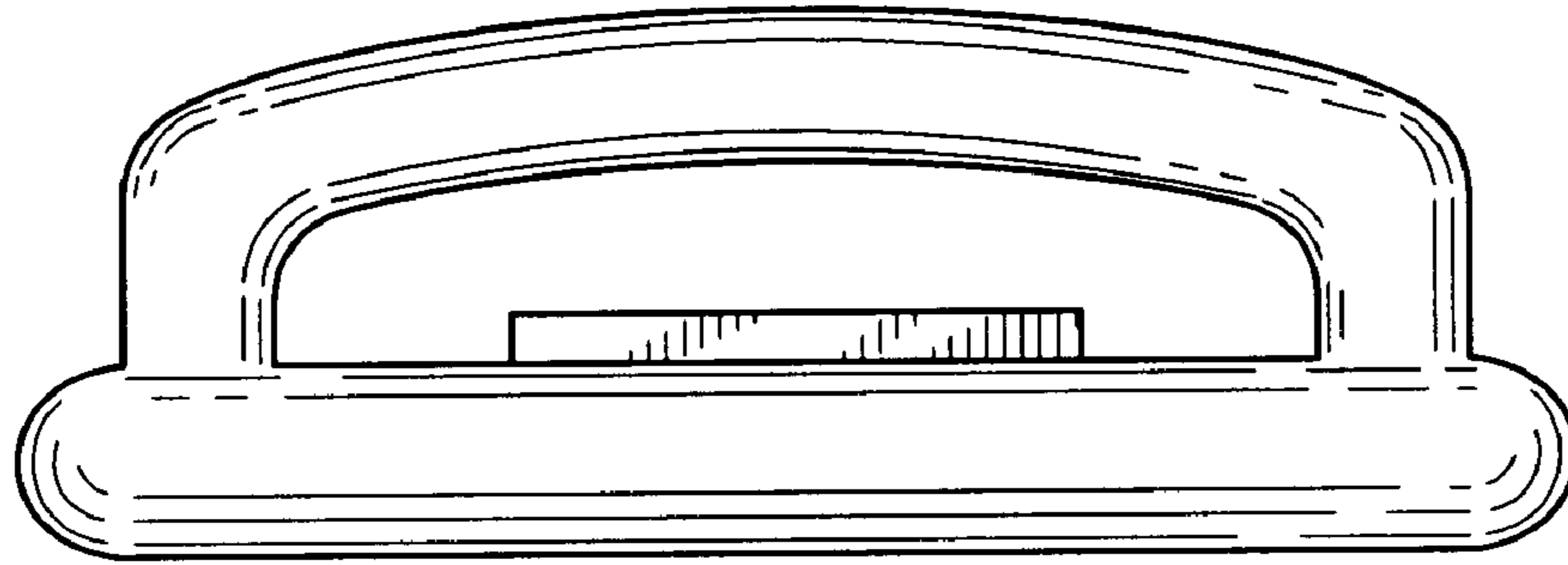


Fig. 6

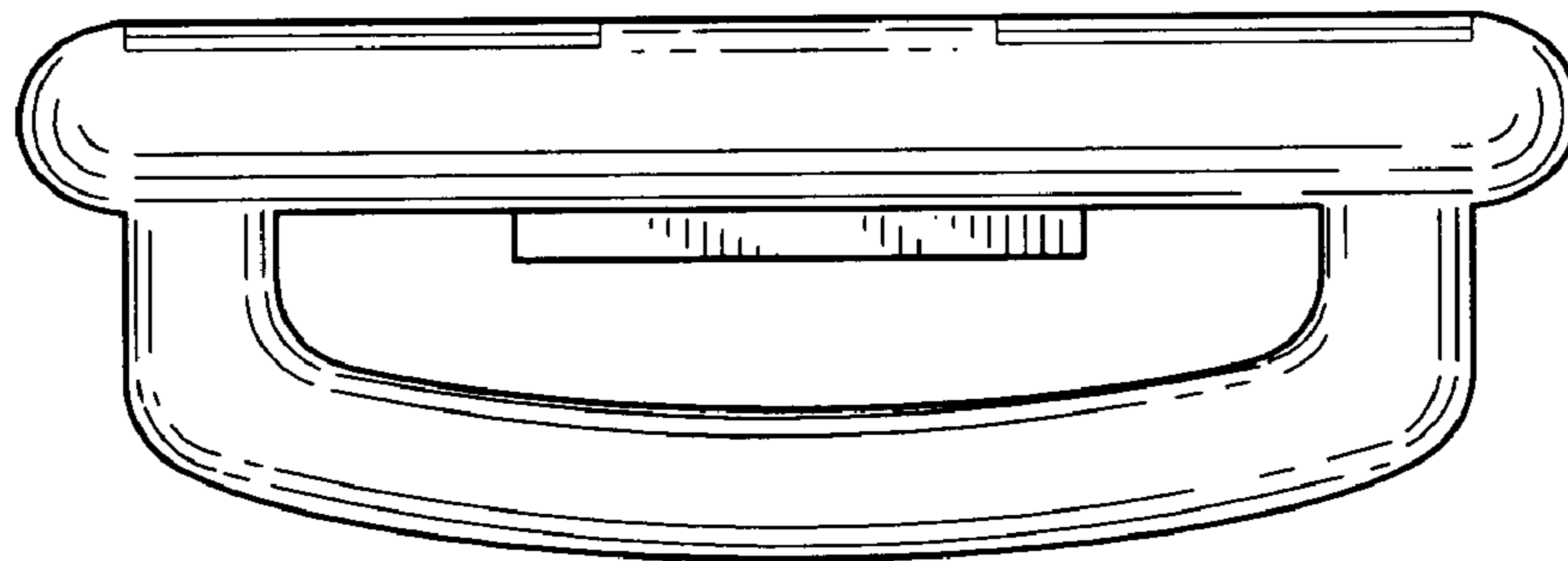


Fig. 7