



US00D525215S

(12) **United States Design Patent**
Hisaishi et al.

(10) **Patent No.:** **US D525,215 S**
(45) **Date of Patent:** **** Jul. 18, 2006**

(54) **BASE FOR A SEMICONDUCTOR CARRIER**

5,451,165 A 9/1995 Cearley-Cabbiness et al. ... 439/71

(75) Inventors: **Minoru Hisaishi**, Tokyo (JP); **Noriyuki Matsuoka**, Tokyo (JP); **Takeyuki Suzuki**, Tokyo (JP)

5,519,332 A 5/1996 Wood et al. 324/755
5,541,525 A 7/1996 Wood et al. 324/755
D401,567 S 11/1998 Farnworth et al. D13/182
2001/0043074 A1 11/2001 Hembree et al. 324/755
2004/0016993 A1 1/2004 Ham et al. 257/666

(73) Assignee: **Yamaichi Electronics Co., Ltd.**, Tokyo (JP)

(**) Term: **14 Years**

Primary Examiner—Prabhakar Deshmukh
Assistant Examiner—Selina Sikder
(74) *Attorney, Agent, or Firm*—Finnegan, Henderson, Farabow, Garrett and Dunner, LLP

(21) Appl. No.: **29/231,789**

(22) Filed: **Jun. 10, 2005**

(57) **CLAIM**

Related U.S. Application Data

The ornamental design for a base for a semiconductor carrier, as shown and described.

(63) Continuation-in-part of application No. 29/210,045, filed on Jul. 27, 2004, now Pat. No. Des. 507,248.

DESCRIPTION

(30) **Foreign Application Priority Data**

Jan. 27, 2004 (JP) 2004-001880

FIG. 1 is a top-front perspective view of a base for a semiconductor carrier of our new design;
FIG. 2 is a front view thereof;
FIG. 3 is a rear view thereof;
FIG. 4 is a bottom view thereof;
FIG. 5 is a top view thereof;
FIG. 6 is a right-end view thereof; and,
FIG. 7 is a left-end view thereof.

(51) **LOC (8) Cl.** **13-03**

(52) **U.S. Cl.** **D13/182**

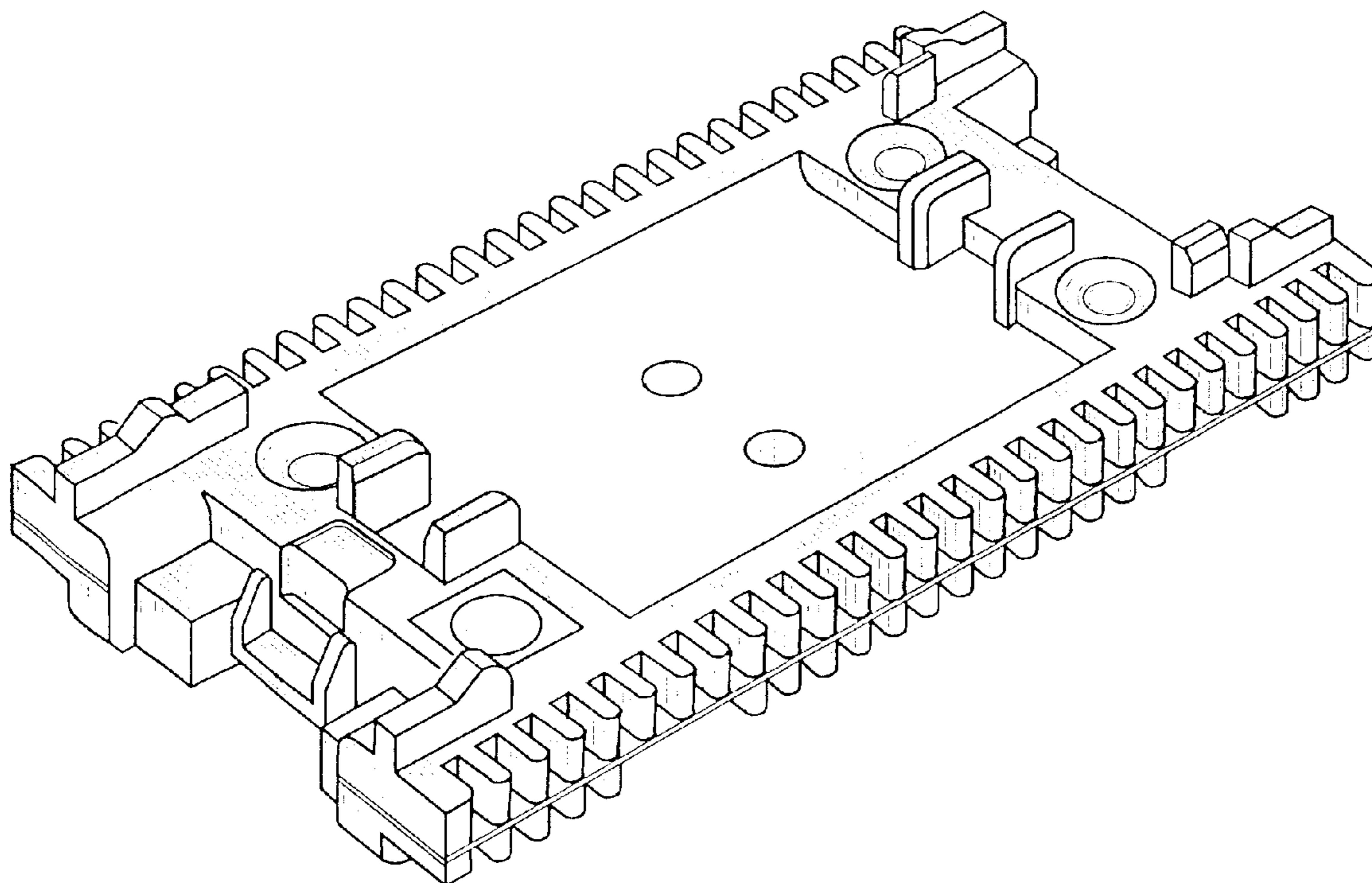
(58) **Field of Classification Search** D13/182;
257/666, 669, 675, 676; 324/755
See application file for complete search history.

(56) **References Cited**

U.S. PATENT DOCUMENTS

D359,028 S 6/1995 Siegel et al. D13/182

1 Claim, 4 Drawing Sheets



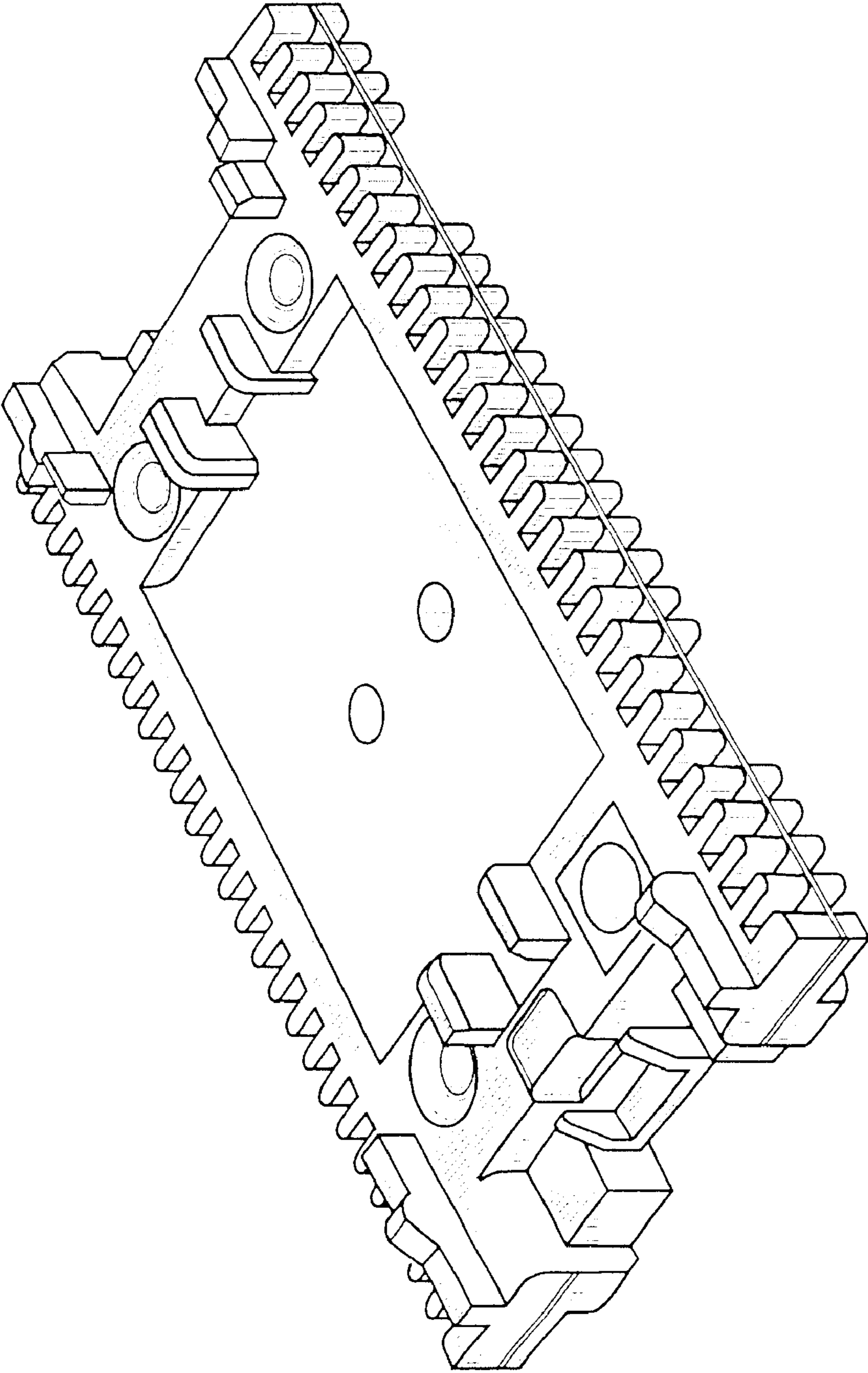


FIG. 1

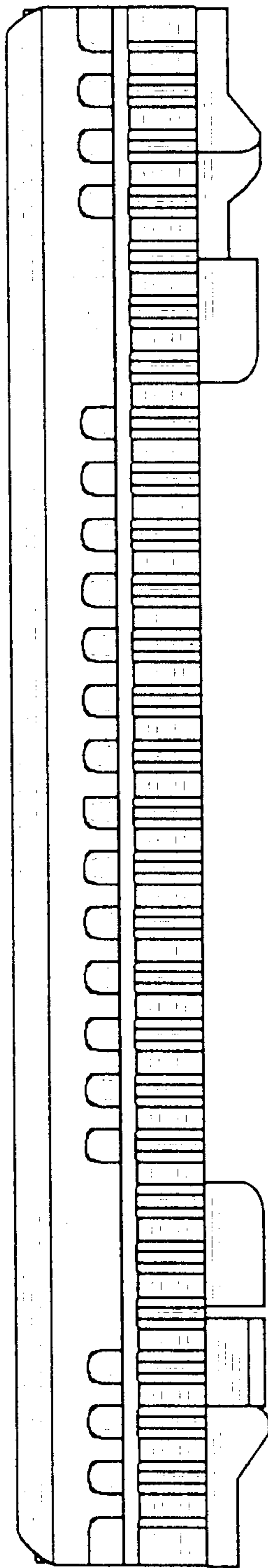


FIG. 2

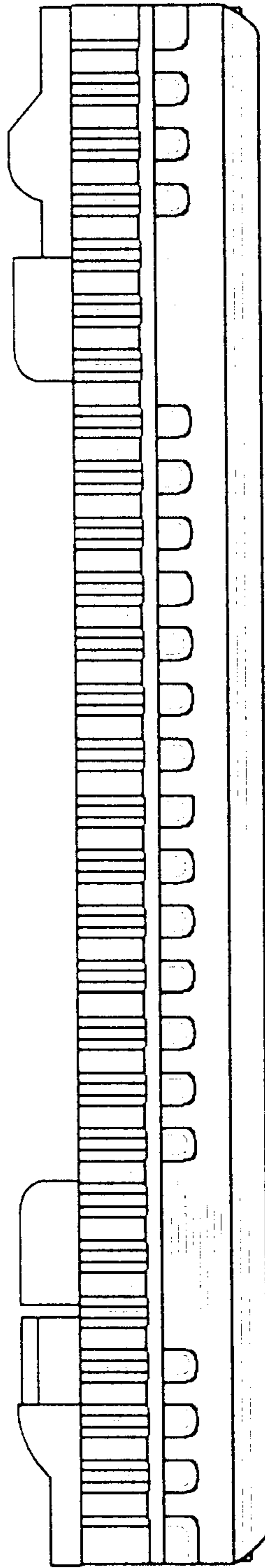


FIG. 3

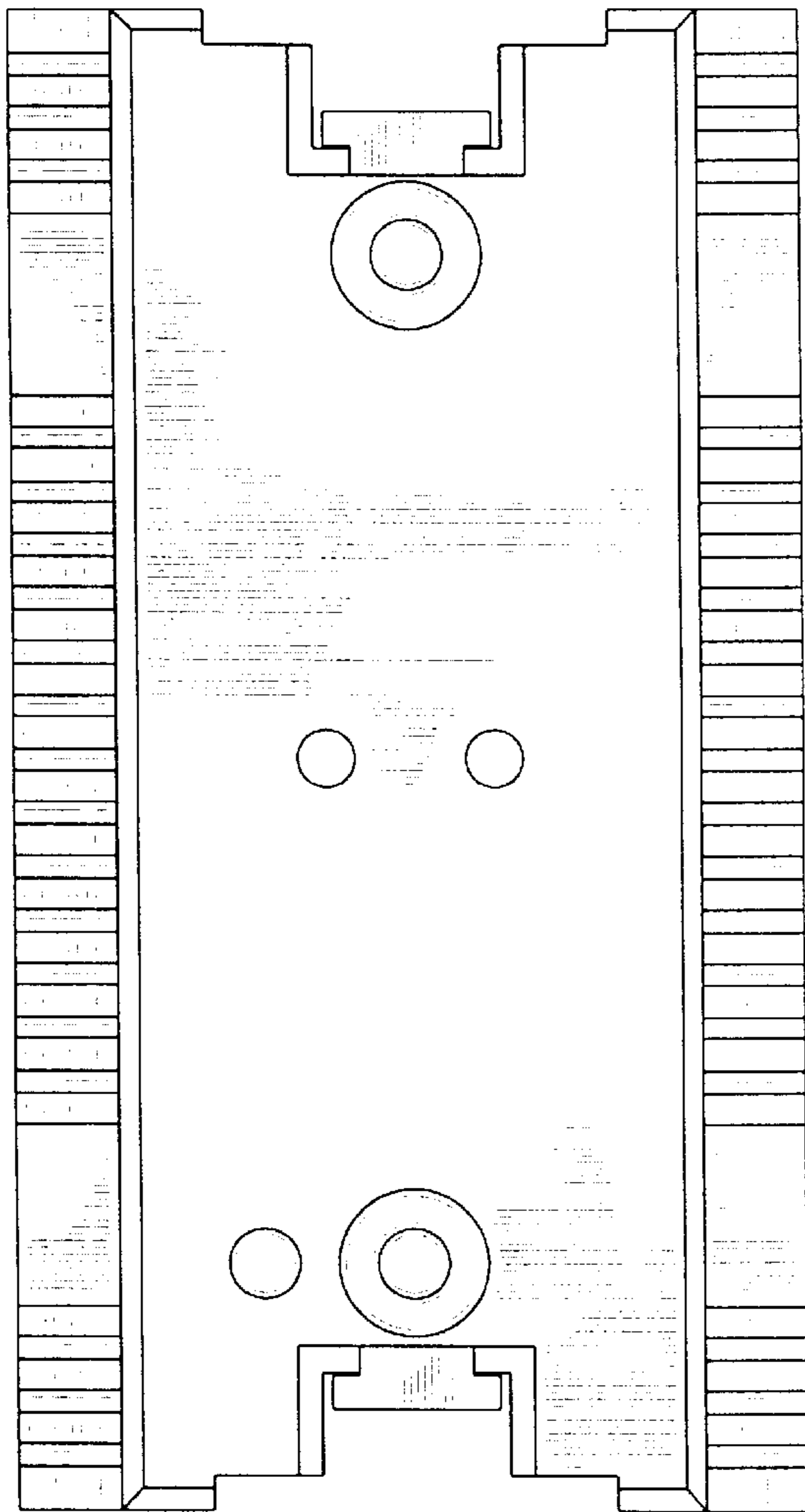


FIG. 4

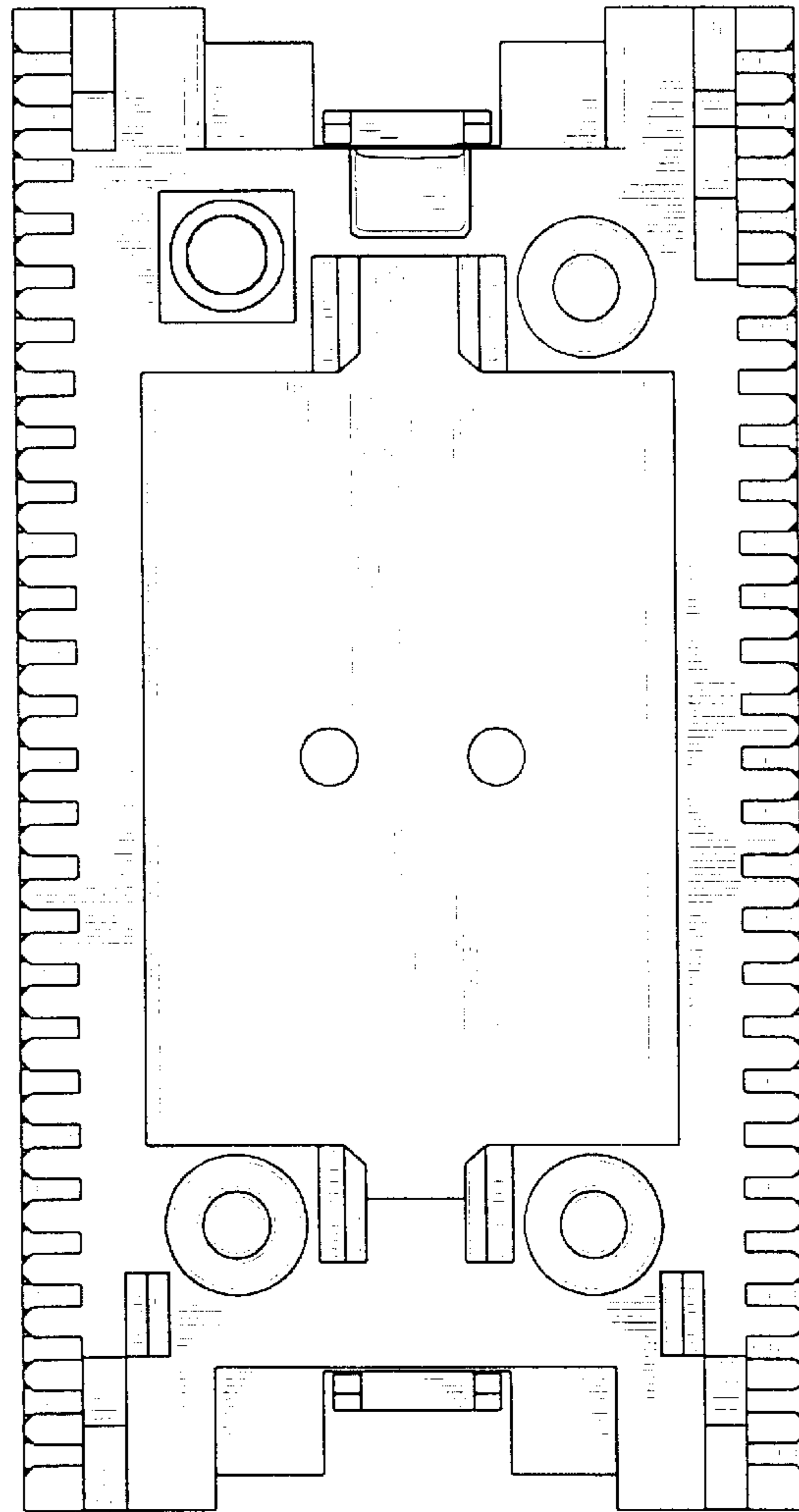


FIG. 5

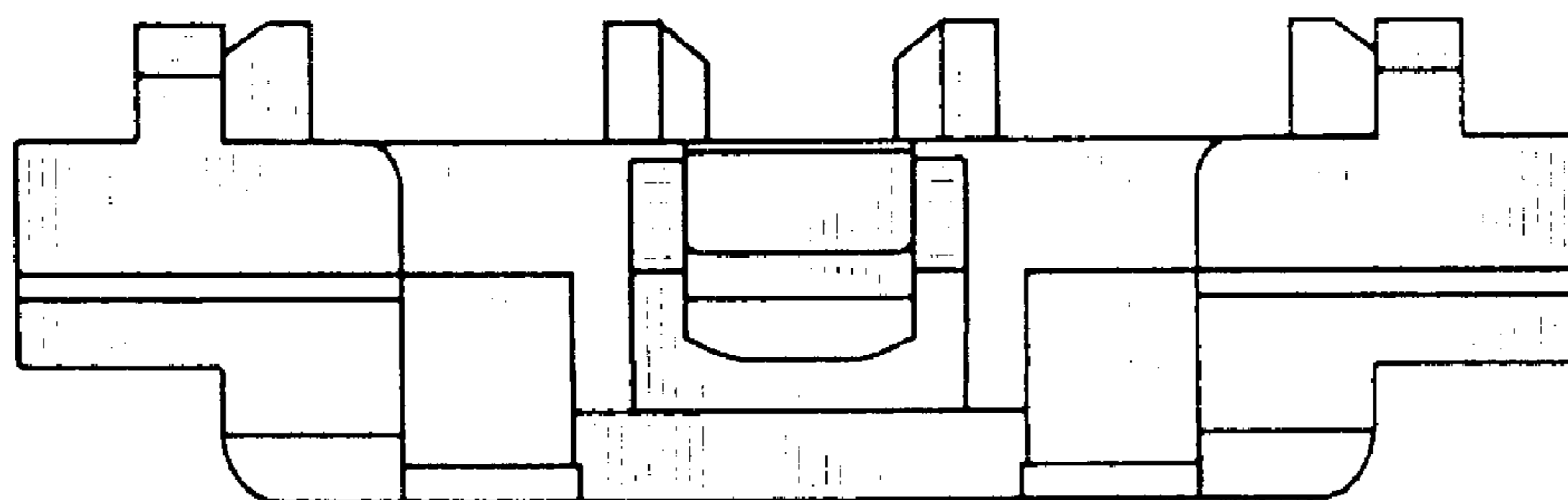


FIG. 6

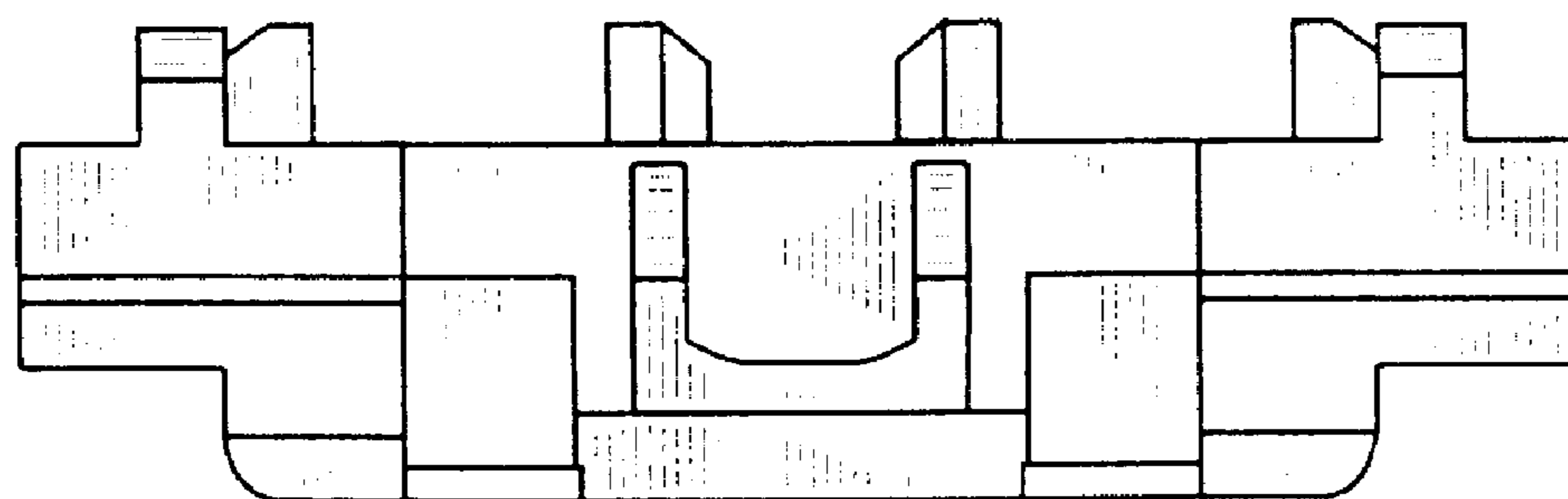


FIG. 7