



US00D525211S

(12) **United States Design Patent**
Tanabe et al.

(10) **Patent No.:** **US D525,211 S**
(45) **Date of Patent:** **** Jul. 18, 2006**

(54) **SIGNAL CONTROLLER**

(75) Inventors: **Yoshihiro Tanabe**, Moriya (JP);
Shigeharu Oide, Tokyo-to (JP)

(73) Assignee: **SMC Kabushiki Kaisha**, Tokyo (JP)

(**) Term: **14 Years**

(21) Appl. No.: **29/204,042**

(22) Filed: **Apr. 23, 2004**

(30) **Foreign Application Priority Data**

Oct. 24, 2003 (JP) 2003-031495

(51) **LOC (8) Cl.** **13-03**

(52) **U.S. Cl.** **D13/162; D13/123**

(58) **Field of Classification Search** D13/123,
D13/133, 146-147, 154, 162, 164, 184, 199;
361/637, 823; 439/709, 712, 715-716
See application file for complete search history.

(56) **References Cited**

U.S. PATENT DOCUMENTS

| | | | | | |
|------------|---|---------|---------------|-------|-----------|
| D281,493 S | * | 11/1985 | Prager et al. | | D13/162.1 |
| D307,741 S | * | 5/1990 | Gilbert | | D13/162 |
| D309,598 S | * | 7/1990 | Ohsawa et al. | | D13/162 |
| D309,600 S | * | 7/1990 | Backes | | D13/162.1 |
| D311,901 S | * | 11/1990 | Ohsawa et al. | | D13/162 |
| D333,813 S | * | 3/1993 | Ishida | | D13/162 |
| D337,753 S | * | 7/1993 | Ito et al. | | D13/162 |
| D344,710 S | * | 3/1994 | Morgan et al. | | D13/147 |

| | | | | | |
|------------|---|---------|------------|-------|---------|
| D394,642 S | * | 5/1998 | Bender | | D13/162 |
| D402,965 S | * | 12/1998 | Bender | | D13/162 |
| D405,053 S | * | 2/1999 | Tan et al. | | D13/147 |

OTHER PUBLICATIONS

Related U.S. Appl. No. 29/204,043, filed Apr. 23, 2004;
Inventor: Yoshihiro Tanabe et al.; Title: Signal Input Device.
Related U.S. Appl. No. 29/204,044, filed Apr. 23, 2004;
Inventor: Yoshihiro Tanabe et al.; Title: Signal Converter.
Related U.S. Appl. No. 29/204,045, filed Apr. 23, 2004;
Inventor: Yoshihiro Tanabe et al.; Title: Signal Input Device.

* cited by examiner

Primary Examiner—Stella Reid

Assistant Examiner—Daniel Bui

(74) *Attorney, Agent, or Firm*—Frishauf, Holtz, Goodman
& Chick, P.C.

(57) **CLAIM**

The ornamental design for a signal controller, as shown.

DESCRIPTION

FIG. 1 is a top, front and right-side perspective view of a
signal controller showing our new design;

FIG. 2 is a front view thereof;

FIG. 3 is a rear view thereof;

FIG. 4 is a top plan view thereof;

FIG. 5 is a bottom plan view thereof;

FIG. 6 is a right side view thereof; and,

FIG. 7 is a left side view thereof.

1 Claim, 4 Drawing Sheets

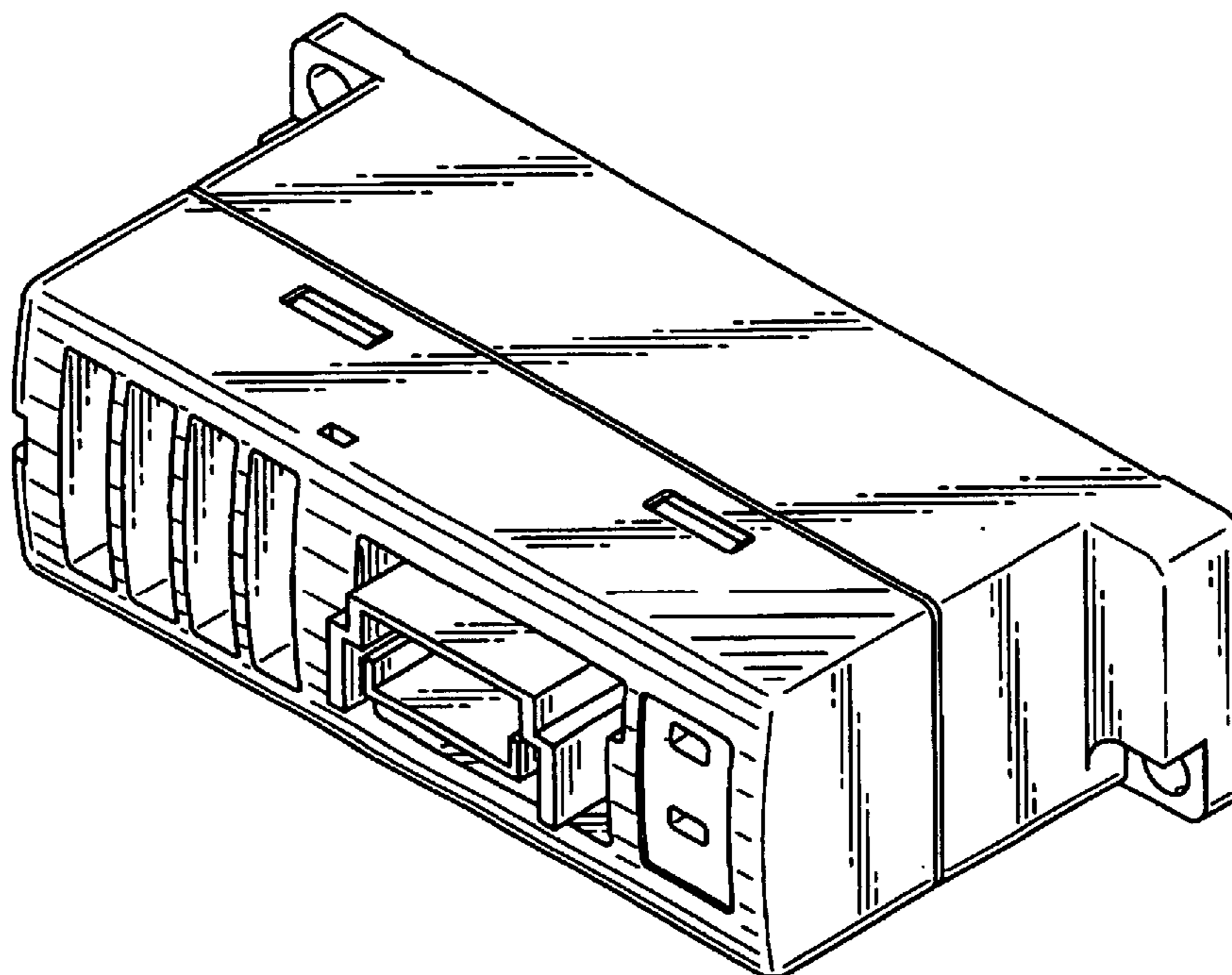


FIG. 1

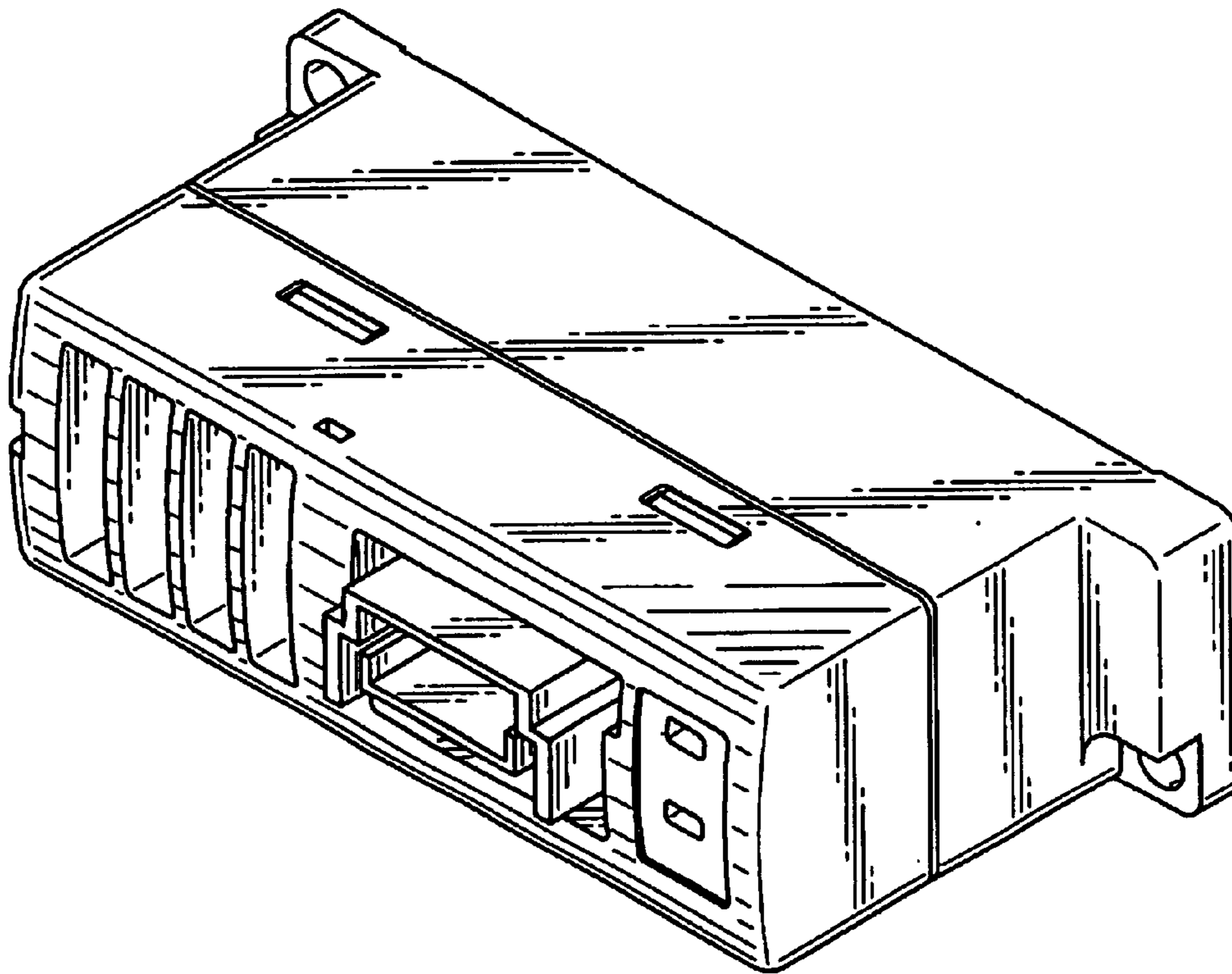


FIG. 2

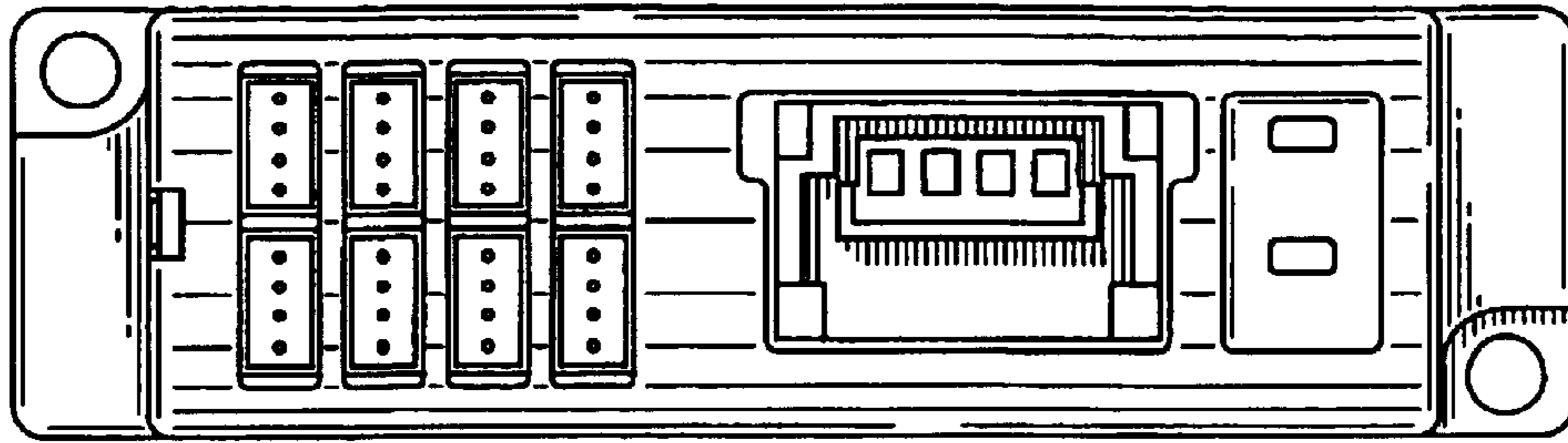


FIG. 3

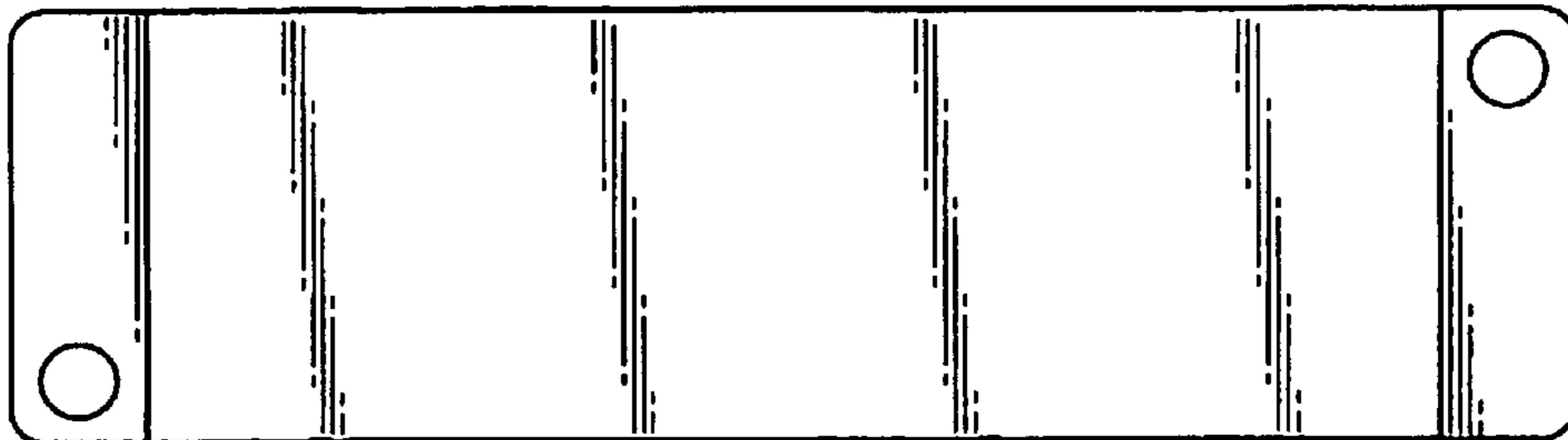


FIG. 4

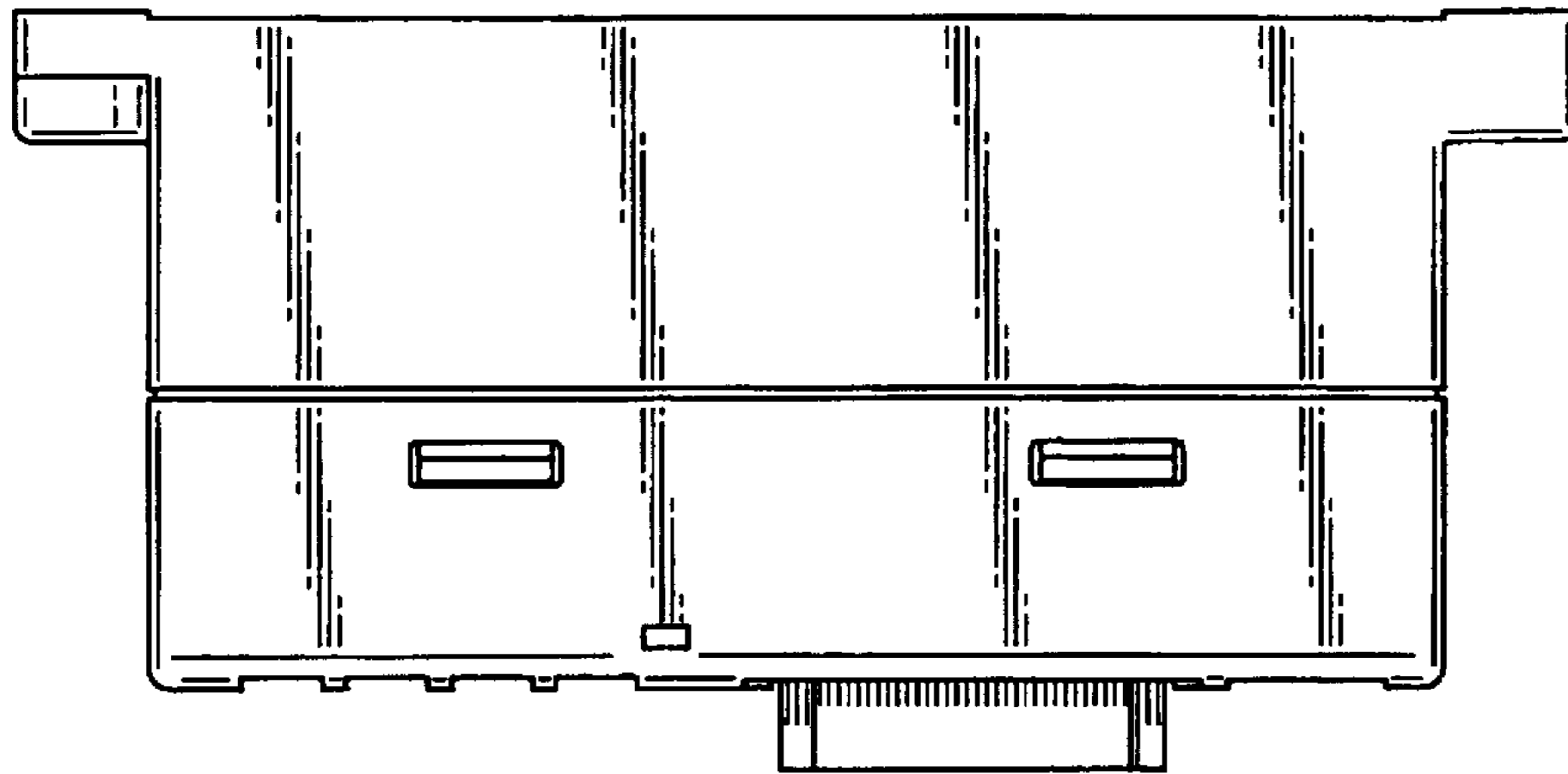


FIG. 5

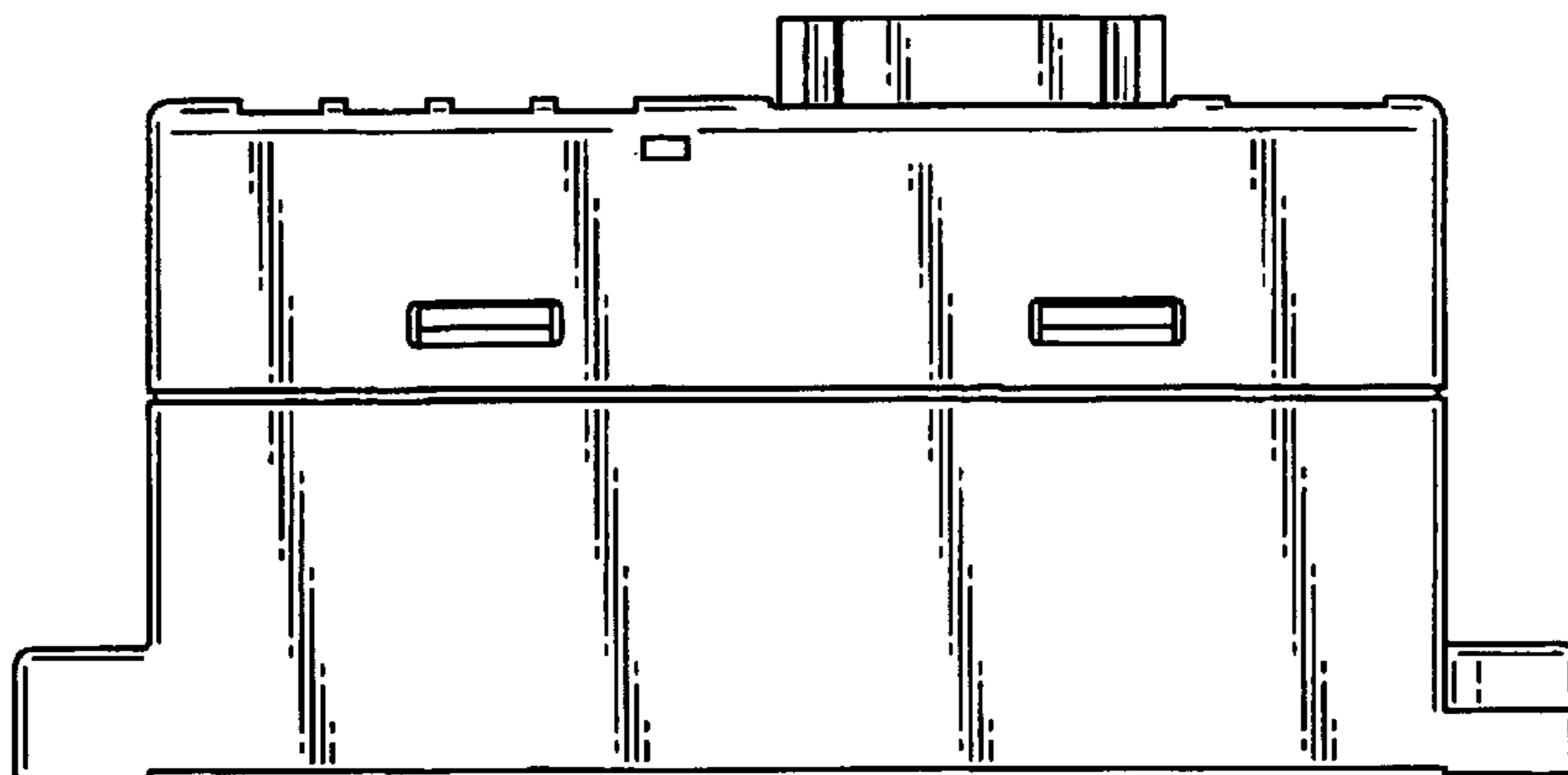


FIG. 6

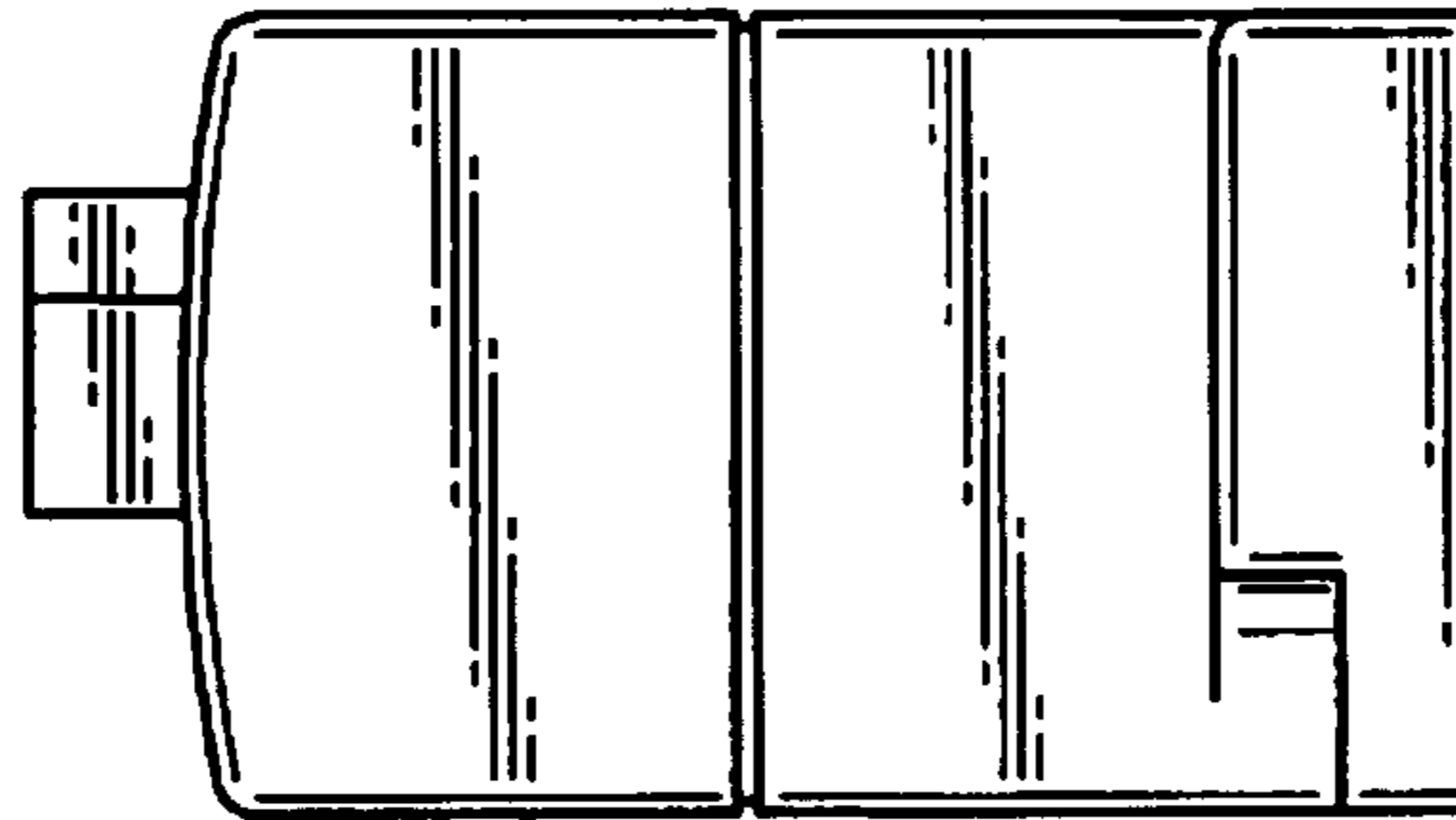


FIG. 7

