

US00D525206S

(12) **United States Design Patent**  
**Cheng et al.**

(10) **Patent No.:** **US D525,206 S**  
(45) **Date of Patent:** **\*\* Jul. 18, 2006**

(54) **CABLE CONNECTOR**

(75) Inventors: **Wei-Ya Cheng**, Kunsan (CN); **Cheng Jie**, Kunsan (CN); **Jian-Tao Lin**, Kunsan (CN); **Su-Feng Liu**, Kunsan (CN)

(73) Assignee: **Hon Hai Precision Ind. Co., Ltd.**, Taipei Hsien (TW)

(\*\*) Term: **14 Years**

(21) Appl. No.: **29/224,644**

(22) Filed: **Mar. 3, 2005**

(30) **Foreign Application Priority Data**

Dec. 17, 2004 (CN) ..... 2004 3 0054957

(51) **LOC (8) Cl.** ..... **13-03**

(52) **U.S. Cl.** ..... **D13/147**

(58) **Field of Classification Search** ..... D13/133,  
D13/146-147, 154, 199; 439/582, 680, 694,  
439/844, 855, 902

See application file for complete search history.

(56) **References Cited**

**U.S. PATENT DOCUMENTS**

D449,820 S \* 10/2001 Lee ..... D13/147  
6,402,552 B1 \* 6/2002 Wagner ..... 439/606  
D481,683 S \* 11/2003 Lai ..... D13/147  
6,699,075 B1 \* 3/2004 Ko ..... 439/610  
6,726,503 B1 \* 4/2004 Waddell et al. .... 439/465

D489,333 S \* 5/2004 Liu et al. .... D13/147  
D491,147 S \* 6/2004 Ji ..... D13/147  
D491,530 S \* 6/2004 Yang et al. .... D13/147  
D491,534 S \* 6/2004 Ko ..... D13/147  
D491,896 S \* 6/2004 Yang et al. .... D13/147  
6,808,410 B1 \* 10/2004 Lee ..... 439/484  
2004/0242032 A1 \* 12/2004 Liu et al. .... 439/79

\* cited by examiner

*Primary Examiner*—Stella Reid  
*Assistant Examiner*—Daniel Bui

(74) *Attorney, Agent, or Firm*—Wei Te Chung

(57) **CLAIM**

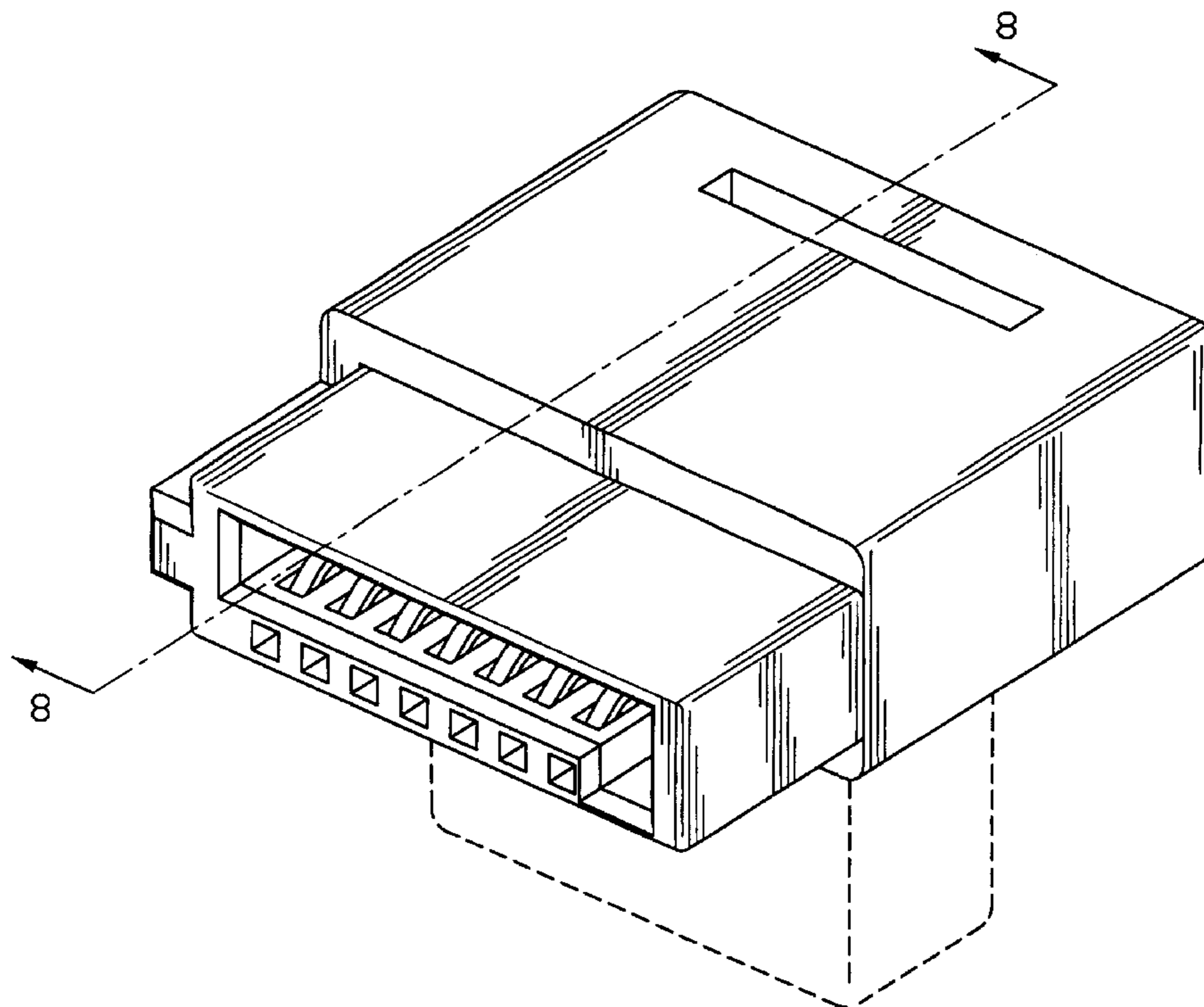
The ornamental design for a cable connector, as shown and described.

**DESCRIPTION**

FIG. 1 is a front, top and right side perspective view of a cable connector;  
FIG. 2 is a front elevation view thereof;  
FIG. 3 is a rear elevation view thereof;  
FIG. 4 is a left side elevation view thereof;  
FIG. 5 is a right side elevation view thereof;  
FIG. 6 is a top plan view thereof;  
FIG. 7 is a bottom plan view thereof; and,  
FIG. 8 is a cross sectional view thereof, taking along line 8—8 in FIG. 1.

The broken line showing of the environment is for illustrative purposes only and forms no part of the claimed design.

**1 Claim, 8 Drawing Sheets**



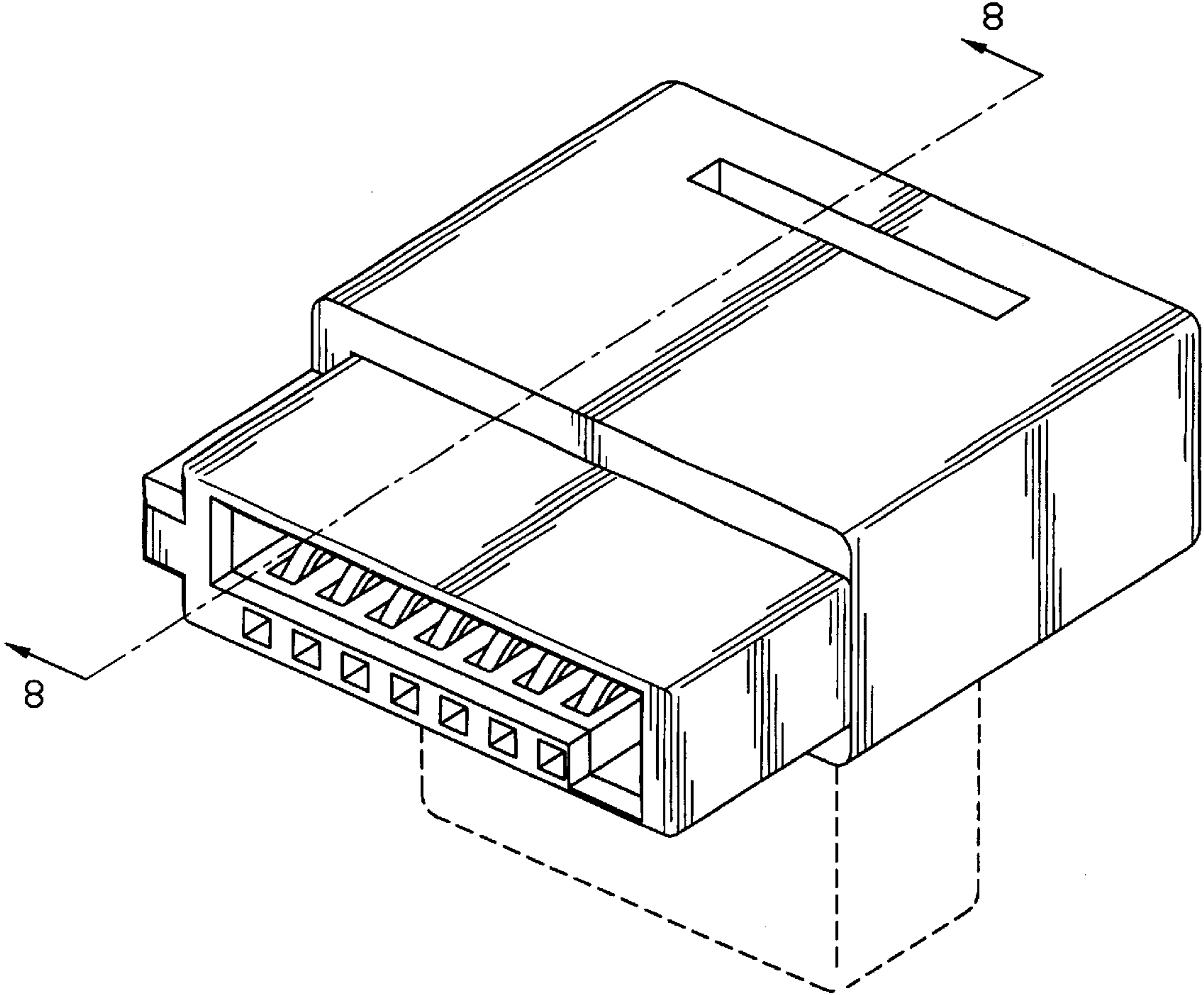


FIG. 1

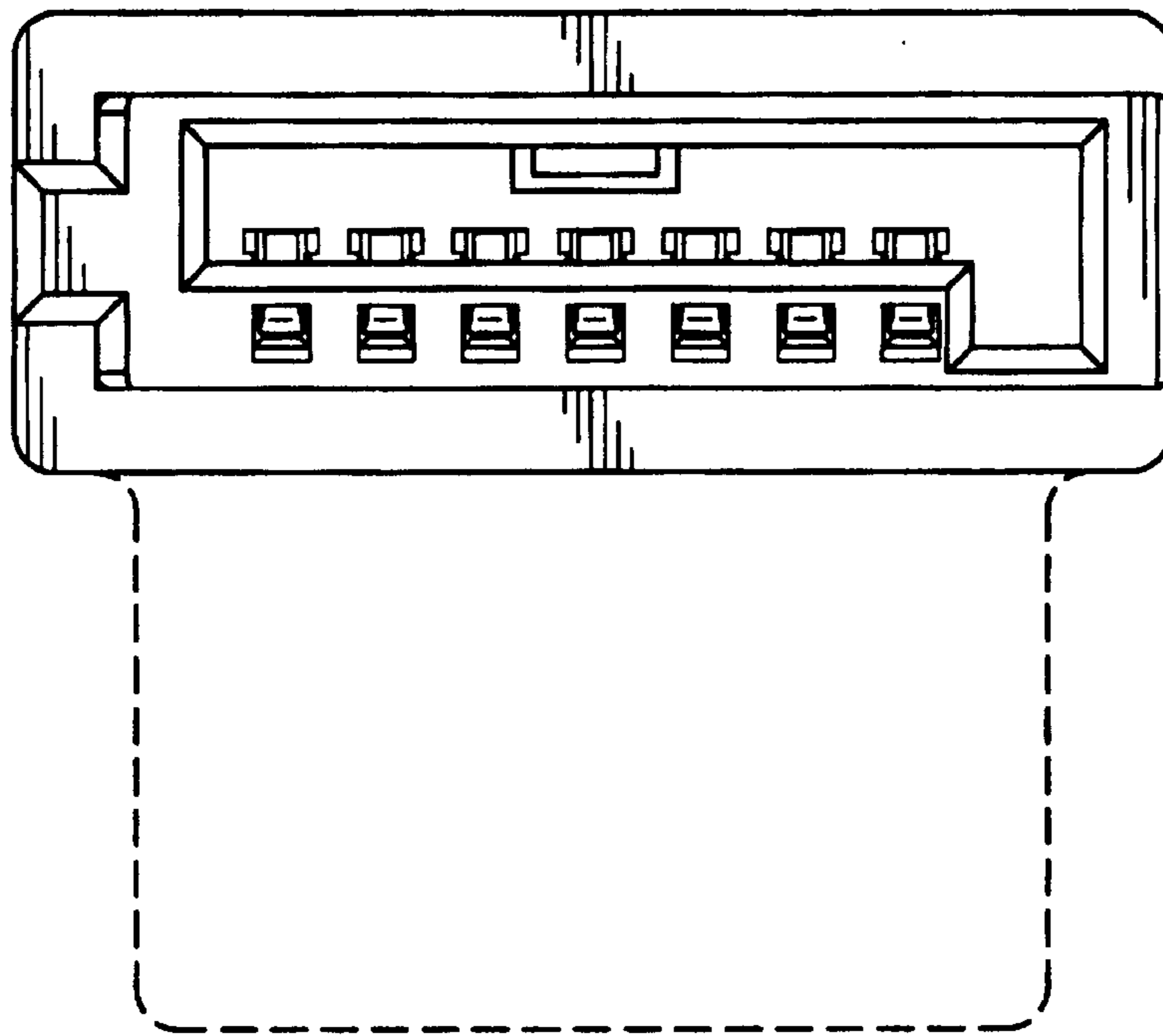


FIG. 2

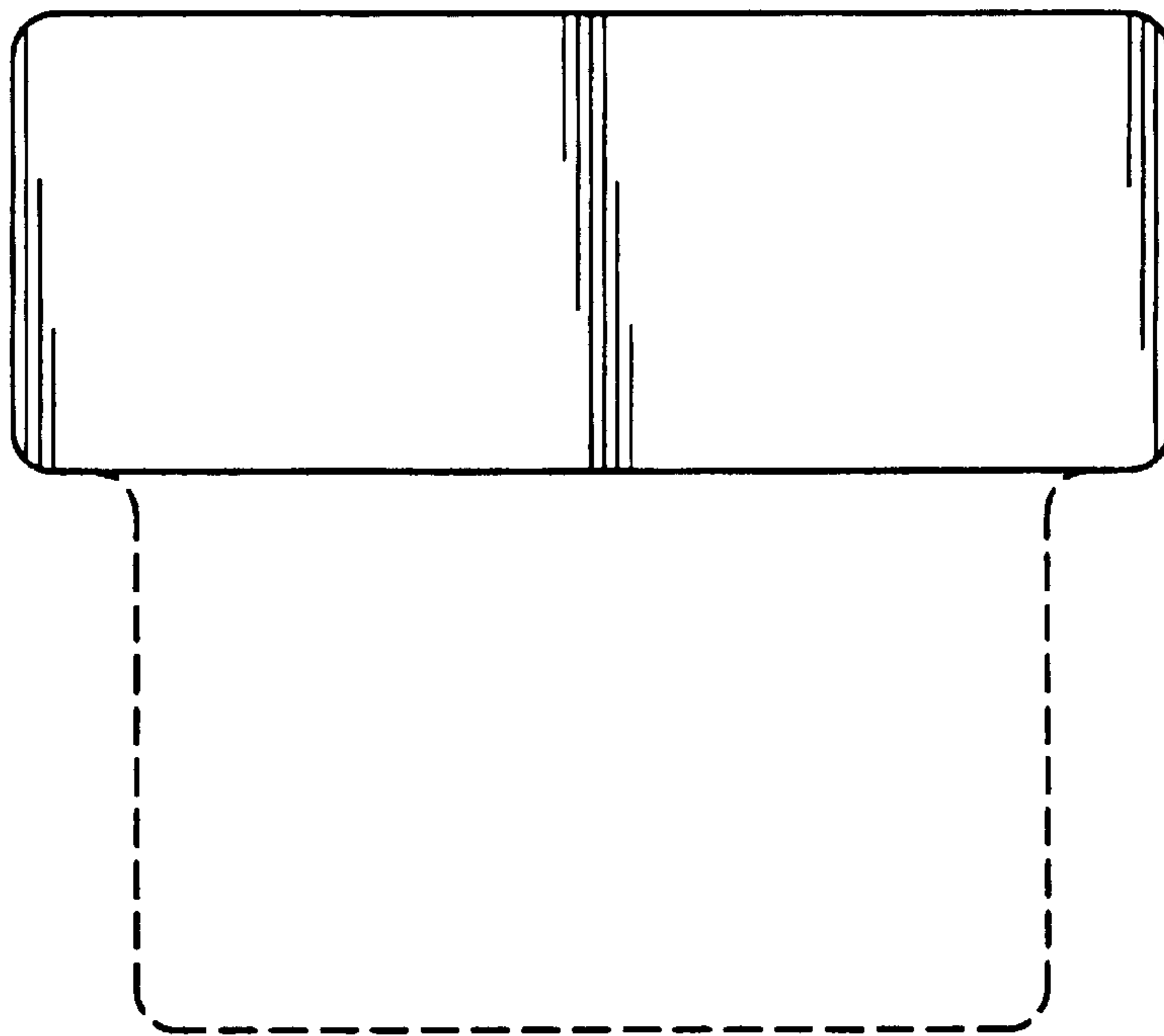


FIG. 3

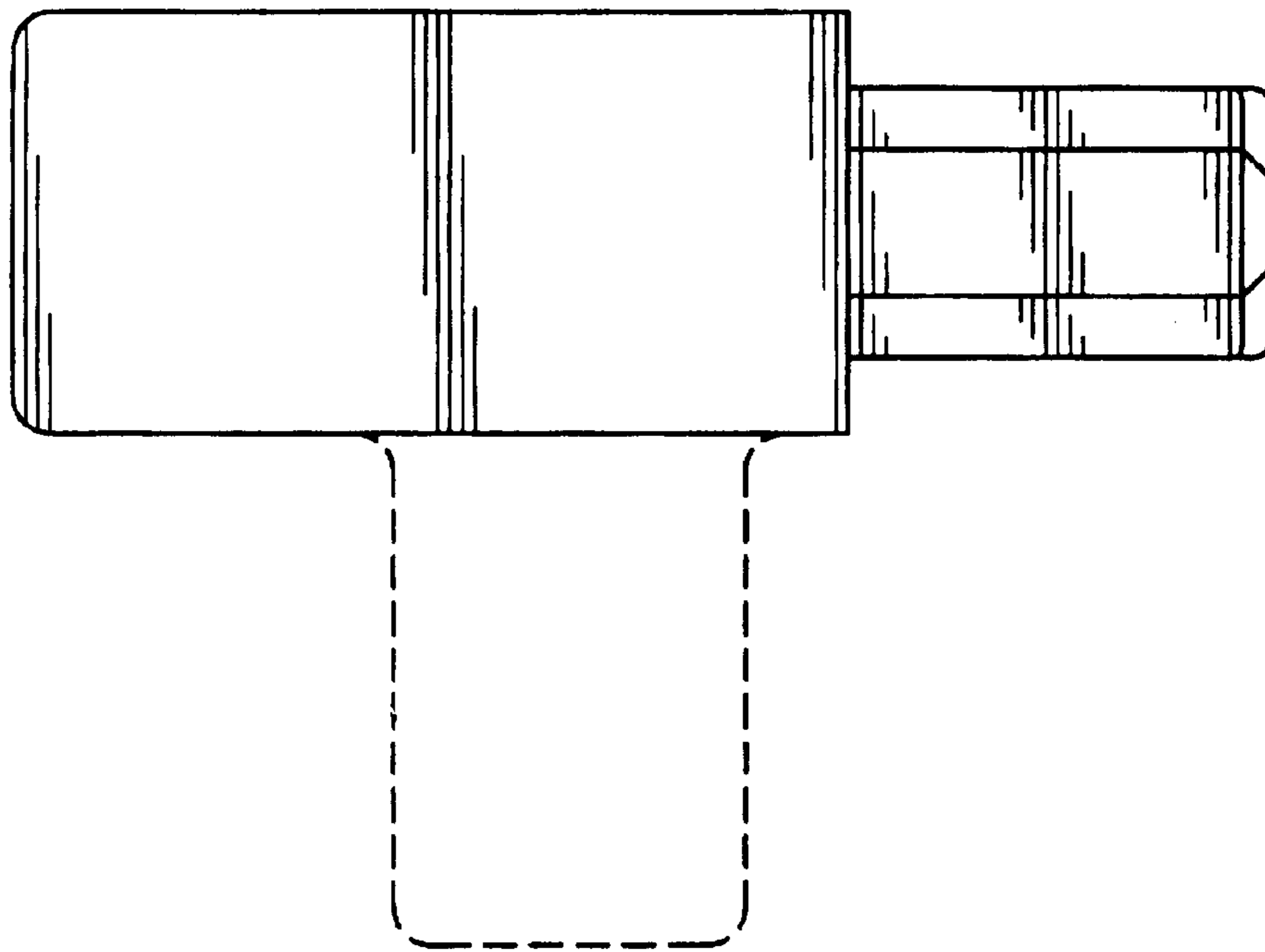


FIG. 4

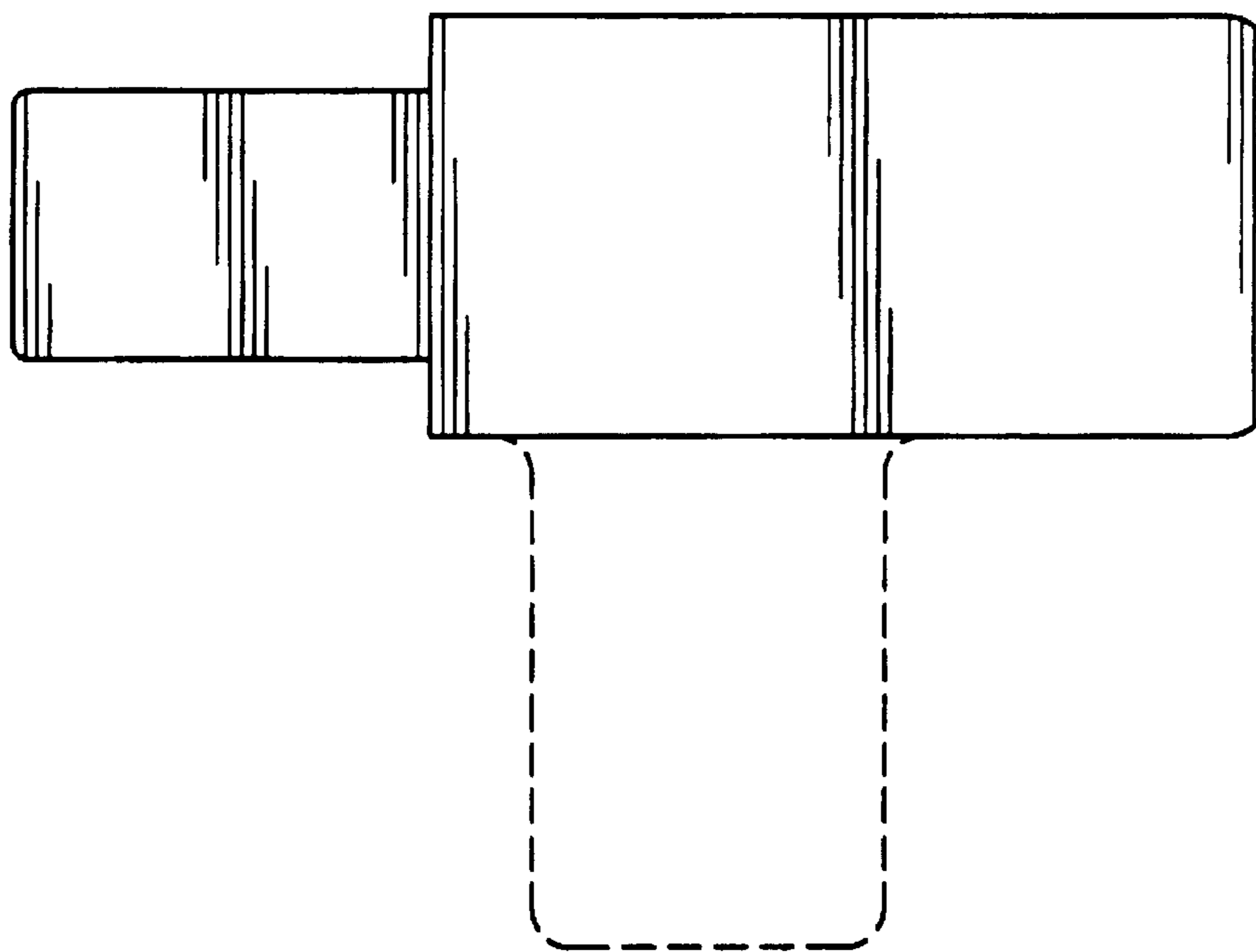


FIG. 5

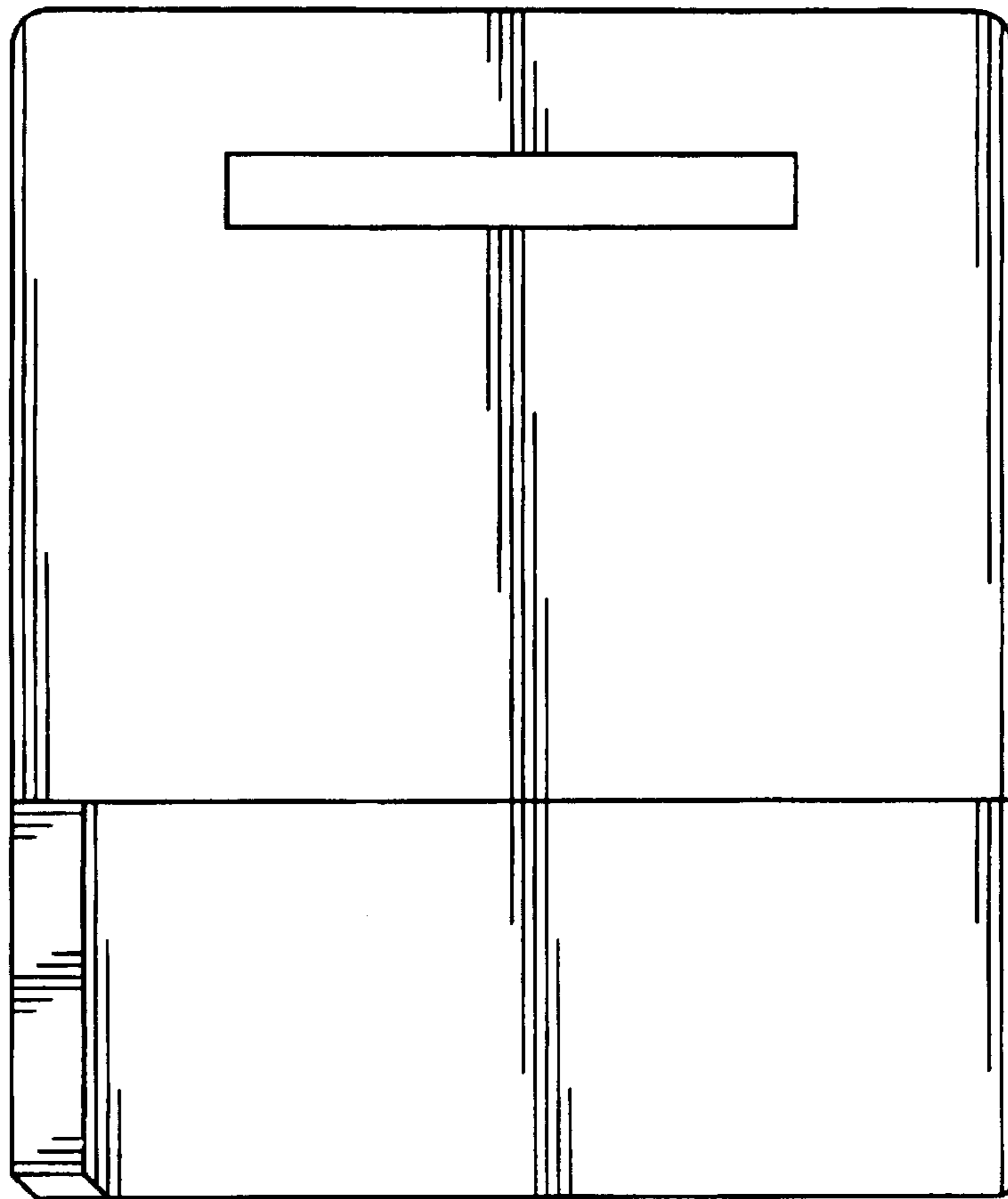


FIG. 6

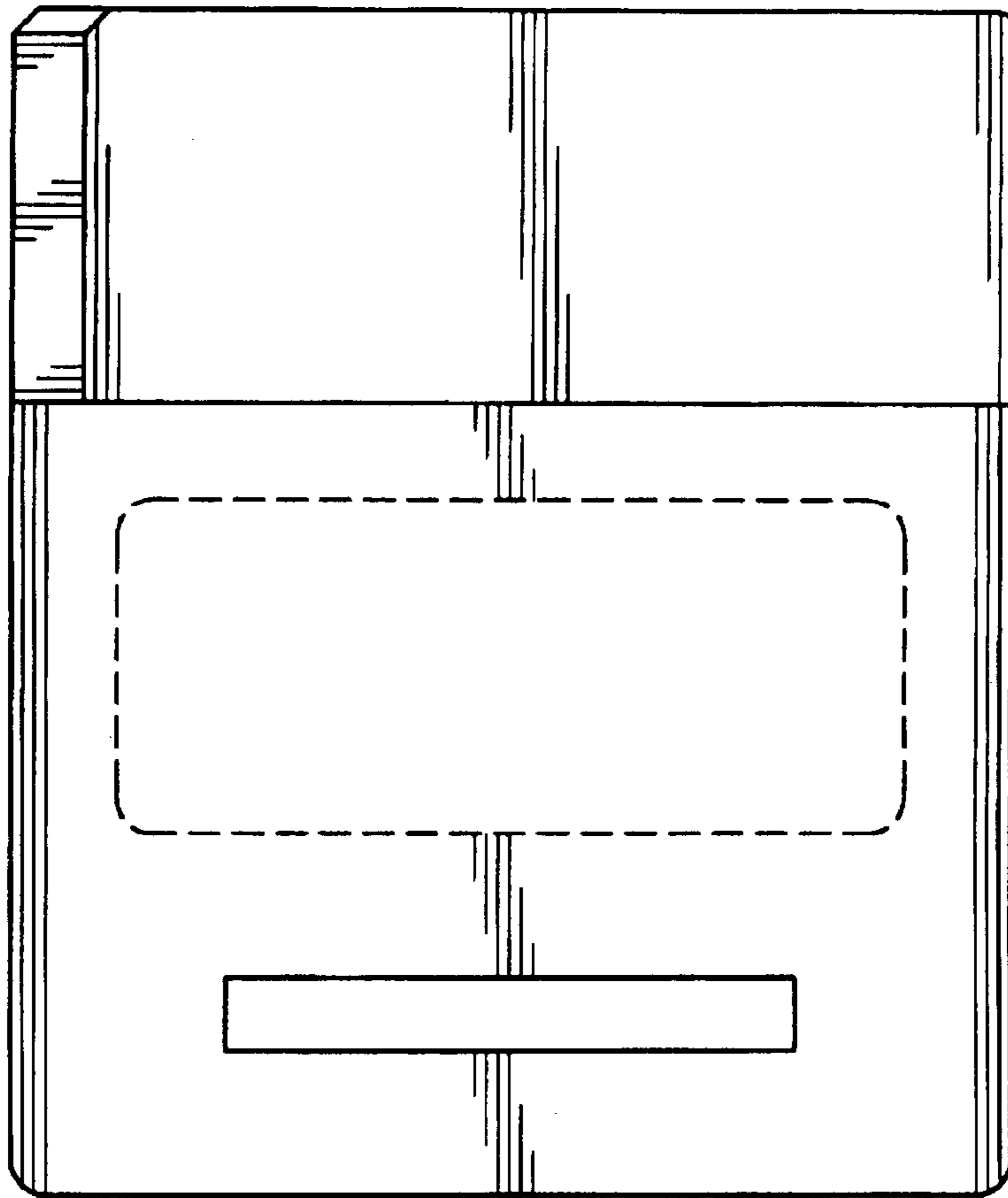


FIG. 7



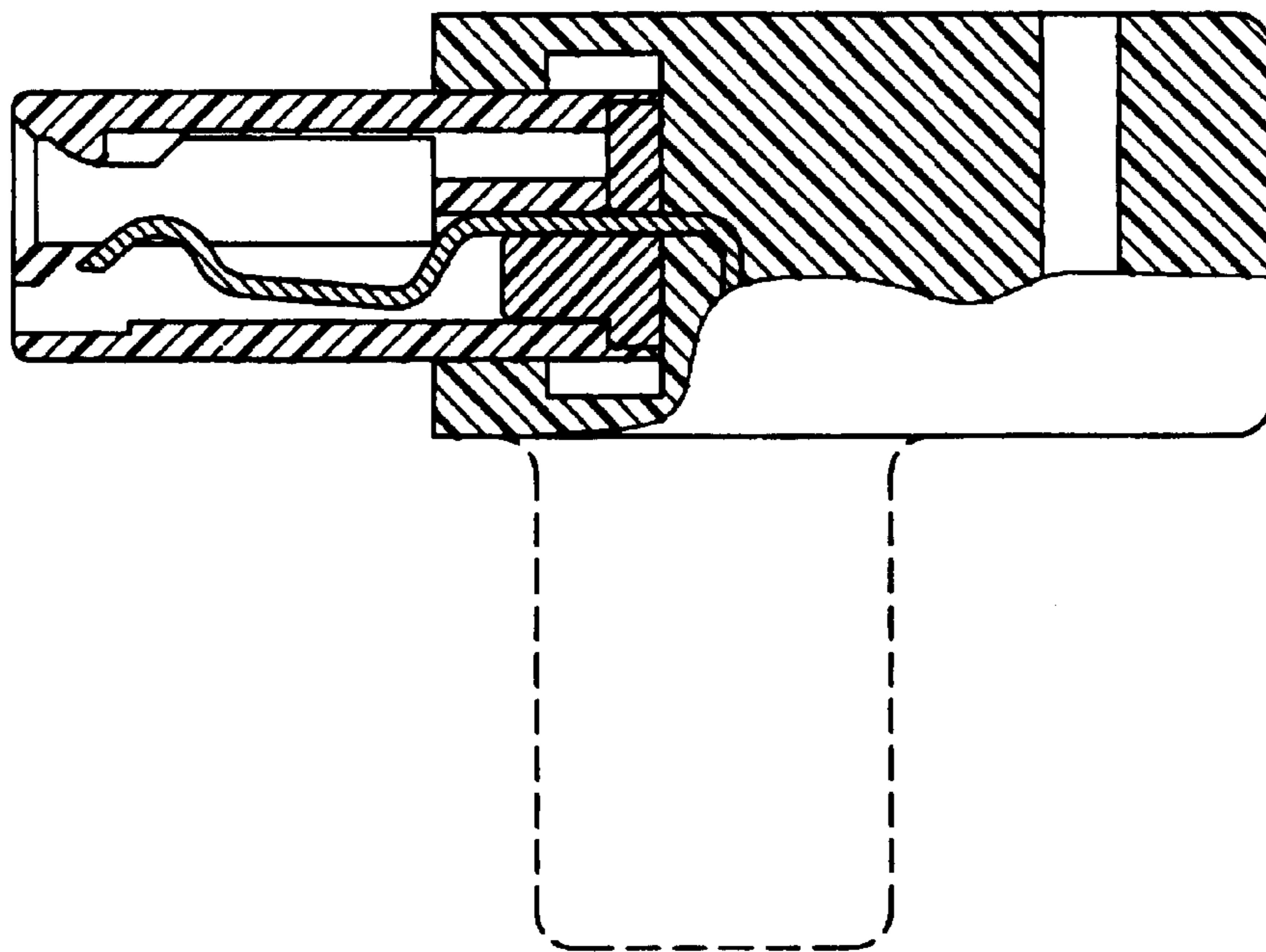


FIG. 8